



A-DEC INC.
 2601 CRESTVIEW DRIVE
 POST OFFICE BOX 111
 NEWBERG, OREGON 97132 USA
 TELEPHONE (503)-538-9471

DESIGNATED E.U. REPRESENTATIVE:
A-DEC DENTAL U.K., LTD.
 AUSTIN HOUSE
 11 LIBERTY WAY
 ATTLEBOROUGH FIELDS INDUSTRIAL ESTATE
 NUNEATON, WARWICKSHIRE
 ENGLAND CV116RZ
 PHONE: 0800-ADECUK (233285) WITHIN UK
 00 44 24 7635 0901 OUTSIDE UK

A-DEC AUSTRALIA
 41-43 BOWDEN STREET
 ALEXANDRIA, N.S.W. 2015
 AUSTRALIA
 TELEPHONE (61) 1.800.225010

CHECK WITH LOCAL CODE AUTHORITIES ABOUT INSTALLATION REQUIREMENTS FOR THIS PRODUCT

INSTALLATION INSTRUCTIONS

PREFERENCE® II 5557 TREATMENT CONSOLE, SINGLE SINK



PREFERENCE II 5557 DUO TREATMENT CONSOLE WITH DOCTOR'S SINK

WARNING

To avoid injury from electrical shock, turn off electricity to the Preference II utilities before beginning this install.

YOU WILL NEED:

- Leveling device
- Phillips screwdriver
- Wrenches:
7/16", 1/2" (or adjustable)
- 5/32" hex key

BEFORE BEGINNING THIS INSTALL

The utilities must be installed according to prevailing building codes and the Preference II floor template, A-dec Template Publication Number:

- Doctor's Right Hand: 85-0531-04
- Assistant's Right Hand: 85-0531-05
- Doctor's Left Hand: 85-0531-06
- Assistant's Left Hand: 85-0531-07

NOTE

If the manual shutoff valves have not been installed, install them now.

Be sure the floor mounted anchor bolts are properly installed. Refer to the floor template and A-dec Publication No. 85-0322-00.

UNPACKAGE THE UNIT

1. Remove the treatment console from the packaging. Locate all of the hardware kits.
2. Remove the ten screws which secure the shipping back to the lower module (see Figure 1).



FIGURE 1

3. Remove the doors, drawers and slide out panels from the lower module (see Figure 2). The doors are fitted with quick disconnect hinges. To remove a door, pull on the quick release levers at the rear of the hinges (see Figure 3).

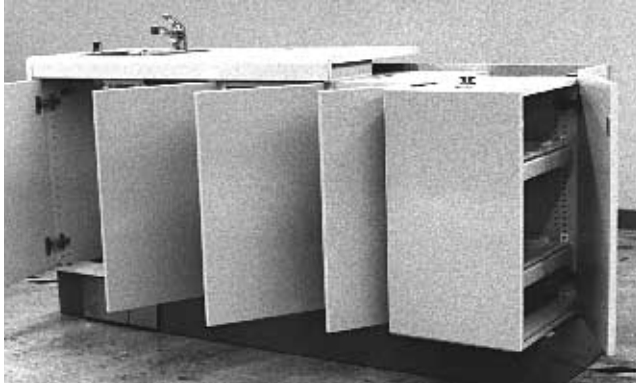


FIGURE 2

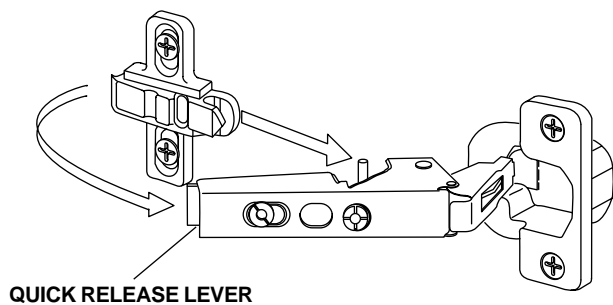


FIGURE 3

4. Locate the stabilizing leg, in the back of the module (see Figure 1). Be sure the stabilizing leg is in the full up position.

CAUTION

If the stabilizing leg is lowered, it can be broken when the module is moved into position. Be sure the stabilizing leg is in the full up position.

The Assistant's Instrumentation tubing must be channeled through the unit prior to positioning the treatment console against a wall. Refer to the document that came with the Assistant's Instrumentation, A-dec Publication No. 85-0528-00 or 85-0548-00, to channel the assistant's tubings through the treatment console.

INSTALL THE COLUMN

1. Remove the column from the packaging and place it at the appropriate end of the console. Channel the electrical conduit through the sub-base as shown in Figure 4.

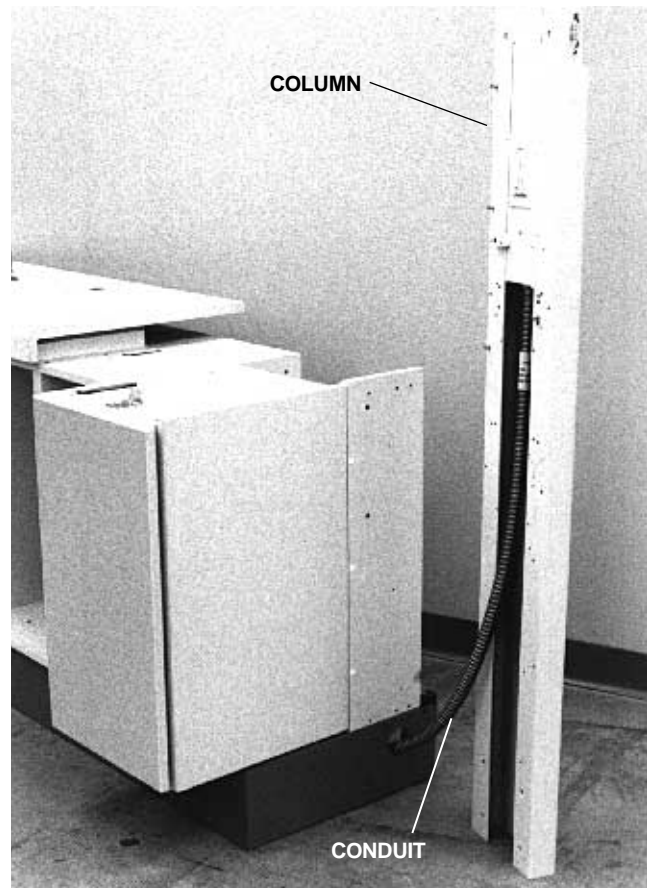


FIGURE 4

2. Locate Kit No. 55-2583-00, inside Kit No. 55-2587-00.
3. Remove two $\frac{5}{16}$ -18 x $\frac{7}{8}$ " (22.2 mm) long hex head bolts, two split lock washers and two external tooth lock washers from this kit.
4. Install a split lock washer, then an external tooth lock washer, on each bolt.
5. Install the bolt assemblies, through the cabinet and sub-base, into the column in the positions shown in Figure 5. Do not fully tighten the bolt assemblies at this time.

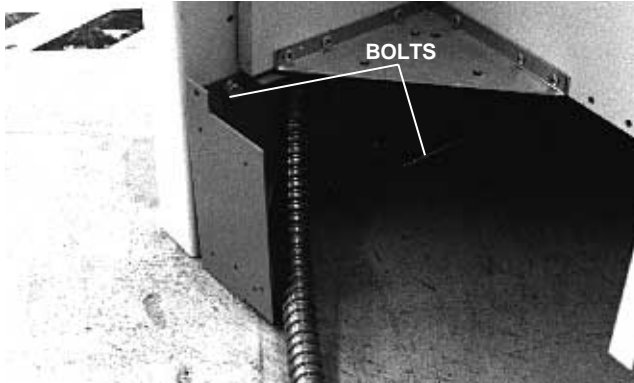


FIGURE 5

6. Remove two 10-32 x $\frac{7}{8}$ " (22.2 mm) long Phillips head screws and two flat washers from the kit.
7. Install a flat washer on each screw.
8. Install, and tighten, the screw assemblies through the cabinet and into the column in the positions shown in Figure 6. Tighten the bolt assemblies installed in Step 5.

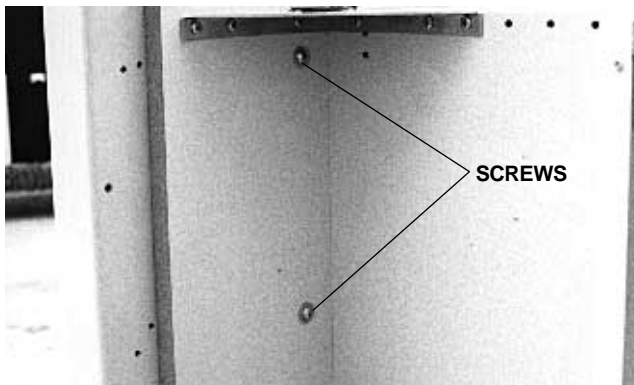


FIGURE 6

INSTALL THE COUNTERTOP

1. Locate Kit No. 55-2169-00.
2. Identify the three larger holes in the lower module. These holes accept the heads of the three locating screws installed in the slides of the countertop (see Figure 7).

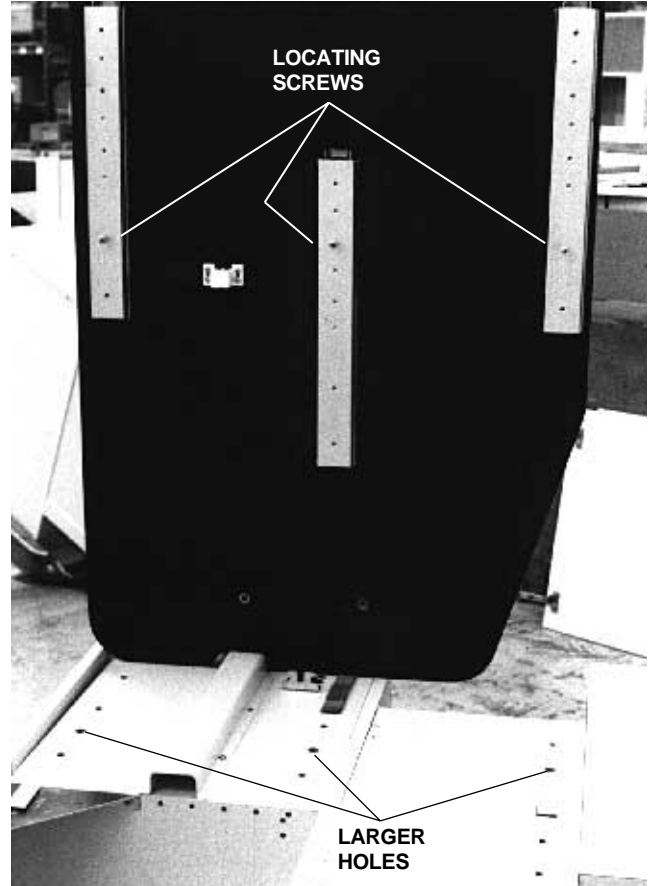


FIGURE 7

3. While holding the middle slide forward, position the counter top over the lower module. Lower the counter top, then push the slides forward or backward until the locating screws drop into place. Be sure the magnet is behind the striker.

- Remove the 10-32 x 3/8" (9.5 mm) long Phillips screw from the kit and loosely install it in the position shown in Figure 8. This bracket is located in the back of the treatment console.



FIGURE 8

- Remove the five 10-32 x 7/8" (22.2 mm) long Phillips head screws from the kit.
- Loosely install three of the screws through the top of the console and into the slides of the countertop in the positions shown in Figure 9. This area is accessed from the side of the module.

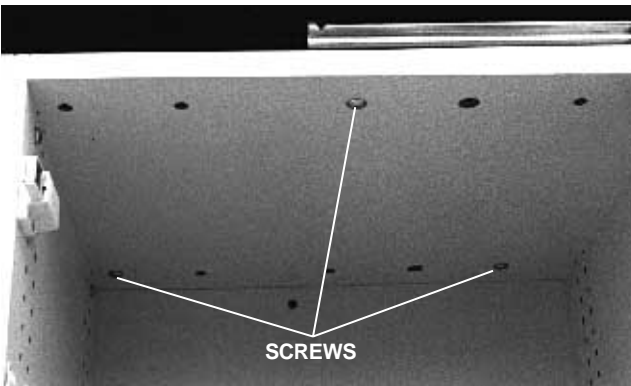


FIGURE 9

- Loosely install two of the screws through the top of the console, in the nitrous module, and into the slides of the countertop in the positions shown in Figure 10.

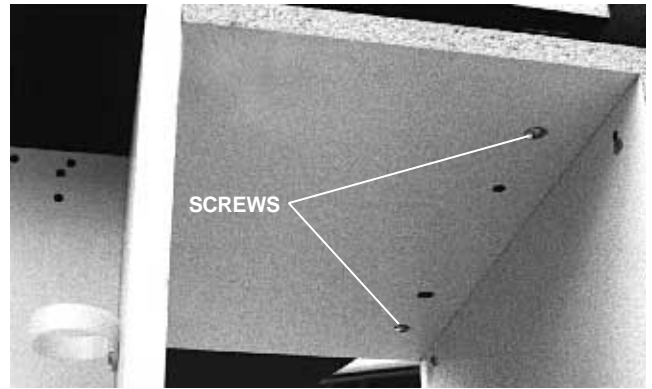
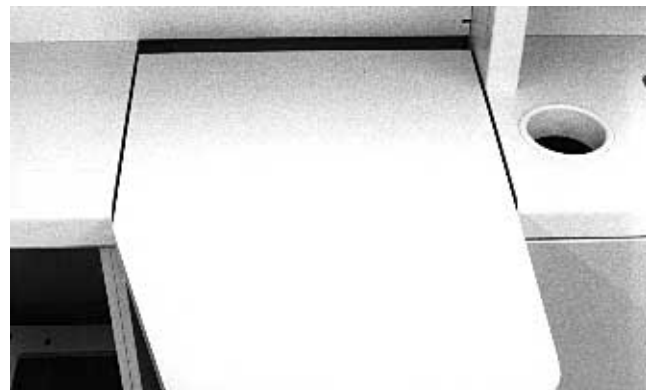
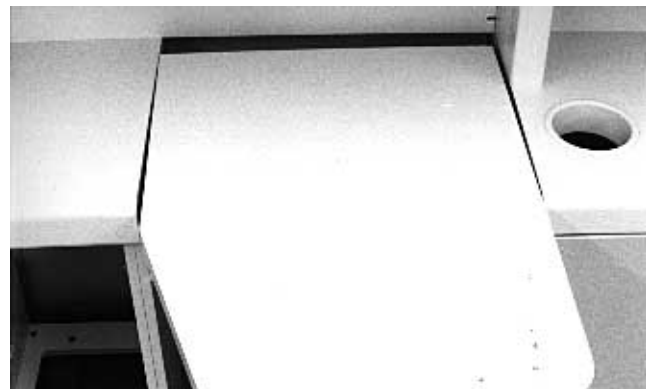


FIGURE 10

- Be sure the countertop is properly aligned (see Figure 11), then tighten the screws installed in steps 4 through 7.



CORRECT ALIGNMENT



INCORRECT ALIGNMENT

FIGURE 11

MOVE THE CONSOLE INTO POSITION

WARNING

The console is heavy. Enlist the aid of another individual to safely move it into position.

1. Slide the console back, 2" (50.8 mm) from the wall. If necessary, carefully lift the console over the plumbing and anchor bolts to properly place the console in position.

INSTALL THE UPPER MODULE

1. Locate the upper module which will be installed on the console.

WARNING

The upper module is heavy. To protect against personal injury, have an individual assist with this portion of the installation.

Be sure the glass doors are secure in their hinges before lifting the upper module.

2. Place a piece of cardboard on the surface of the lower module. This will protect the counter top while the upper module is installed.
3. Lay the upper module on the cardboard. Channel the electrical conduit down, into the lower module (see Figure 12).



FIGURE 12

4. Locate Kit No. 55-1782-00.
5. Tip the upper module into position while continuing to pull the electrical conduit down into the lower module.

6. Loosely install the four black 1/4-20 x 1³¹/₃₂" (50 mm) long screws, from Kit No. 55-1782-00, up through the lower module and into the upper module (see Figure 13).

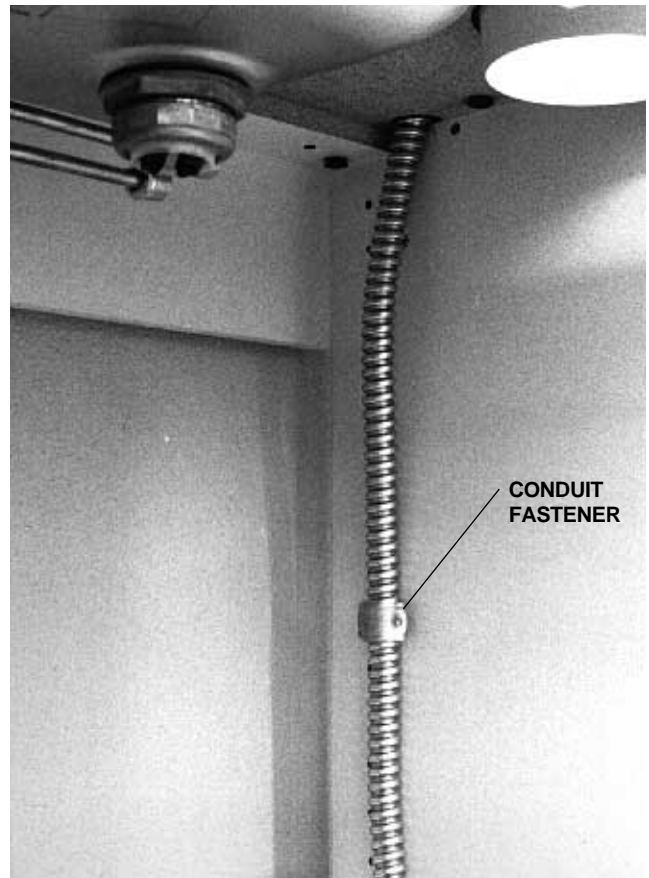


FIGURE 13

7. Place the electrical conduit behind the conduit fastener and tighten the retaining screw (see Figure 13).

INSTALL THE BACK

1. Locate the back. Note the upper edge of the back has a “v” shaped trim strip which must lay flat when the upper is installed.
2. Locate Kit No. 55-2582-00 and remove the two gold-colored Phillips screws. Install them in the pre-drilled holes in the back. The unthreaded shank of the screws should be visible.
3. Slide the back, with the screws facing away from the wall, behind the column and into position between the upper and the column (see Figure 14).

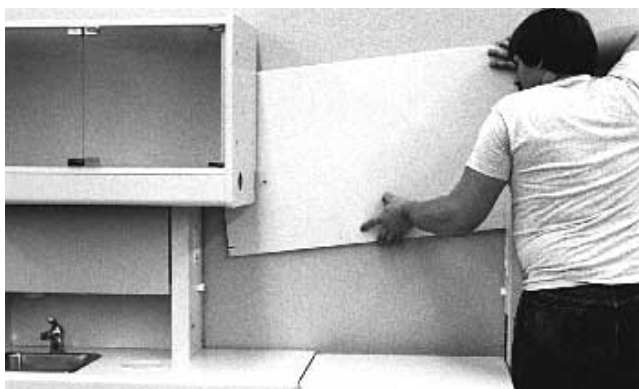


FIGURE 14

4. Pull the back forward, into the position shown in Figure 15.

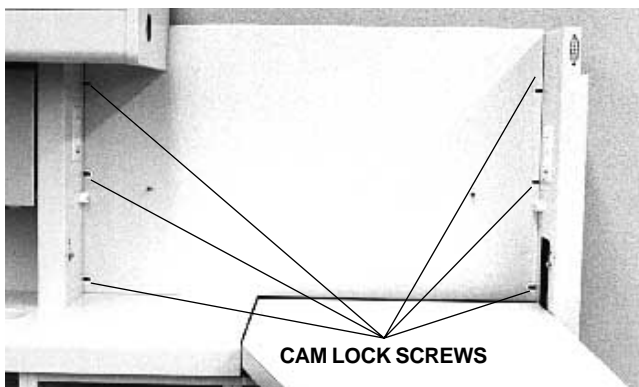


FIGURE 15

5. Close the six cam lock screws, securing the back to the upper module and the column (see Figure 15).

LEVEL AND SECURE THE ASSEMBLY

1. Push the console against the wall and place a level on the countertop. Level the assembly side-to-side and front-to-back using the leveling feet (see Figure 16).



FIGURE 16

2. Turn the stabilizing legs (see Figure 1 on page 2) clockwise to extend them until they contact the floor.
3. Secure the sub-base to the floor by tightening the mounting clips to the sub-base (see Figure 17).

CAUTION

The clips must be properly installed.

Refer to the floor template and to A-dec Publication 85-0322-00 to install the clips.

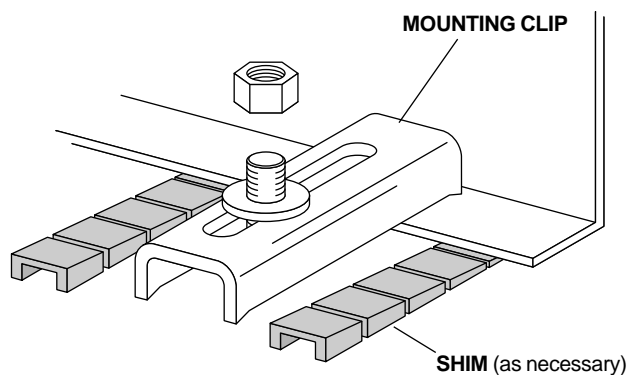


FIGURE 17

SECURE THE UPPER MODULE

1. Tighten the four screws installed in Step 6 of **INSTALL THE UPPER MODULE** (on page 5). Check the column, installed in Steps 1 through 5 of **INSTALL THE COLUMN** (on page 2) for level. If necessary, loosen the screws installed in Step 8 of **INSTALL THE COLUMN** (on page 2) and level the column. Retighten the screws.

INSTALL THE UPPER STORAGE MODULE

1. Locate Kit No. 55-1781-00 and 55-2585-00.
2. Remove two 1/4-20 x 3/4" (19mm) long hex head bolts and two external tooth lock washers from Kit No. 55-1781-00. Install a lock washer on each bolt.
3. Remove four 10-32 x 1" (25.4 mm) long pan head Phillips screws from Kit No. 55-2585-00.
4. Locate the upper storage module.

CAUTION

Have another individual assist with the installation of the upper storage module. If it is not held in position while being installed it will fall, damaging the unit.

5. Lift the module and place it in position, on top of the column, and back and next to the storage module.

NOTE

The "v" seal, on the top of the back, must lay flat when the module is placed on top of it.

6. Have one individual steady the upper module while the other loosely installs the two hex head bolt assemblies in the positions shown in Figure 18.

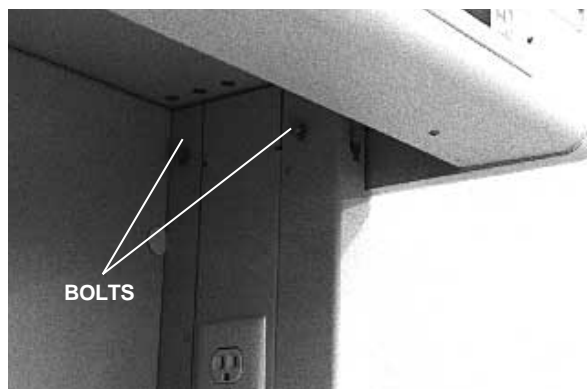


FIGURE 18

7. Install the four Phillips head screws, through the upper module and into the storage module, in the positions shown in Figure 19. Tighten the screws firmly and cover them with the caps provided.

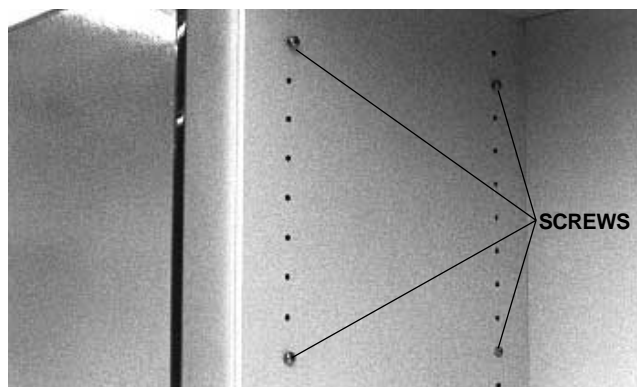
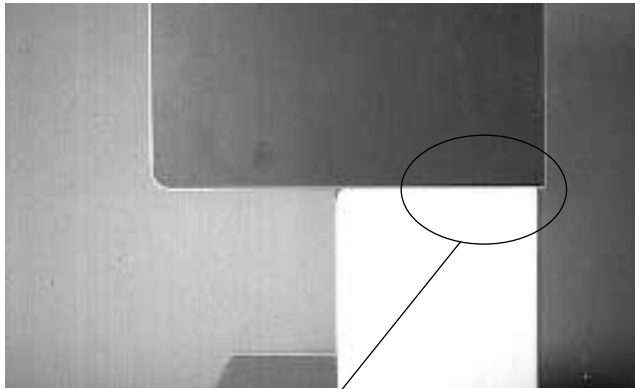


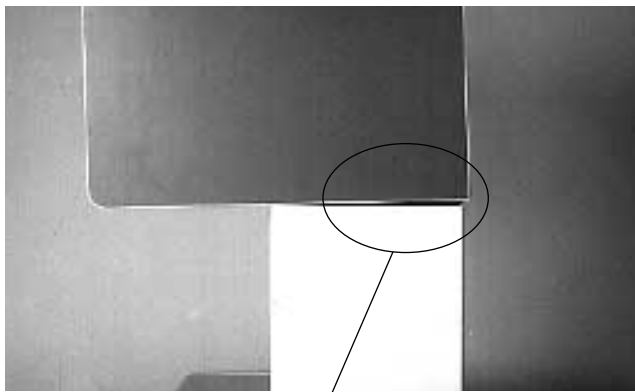
FIGURE 19

ALIGN THE UPPER MODULES

1. Be sure the upper assembly is correctly aligned (see *Figure 20*).



CORRECT ALIGNMENT



INCORRECT ALIGNMENT

FIGURE 20

2. To correct the alignment:

Loosen the six bolts that secure the upper modules to the columns (see *Figure 21*). Straighten the upper modules and tighten the bolts.



FIGURE 21

INSTALL THE ACCESSORY PANEL AND SHELF

1. Locate Kit No. 55-2582-00 and remove four $\frac{1}{4}$ -20 x $\frac{1}{2}$ " (12.7 mm) long Phillips head screws.
2. Install a screw in the bottom tapped hole on the upper module column and the outer column (see *Figure 22*).

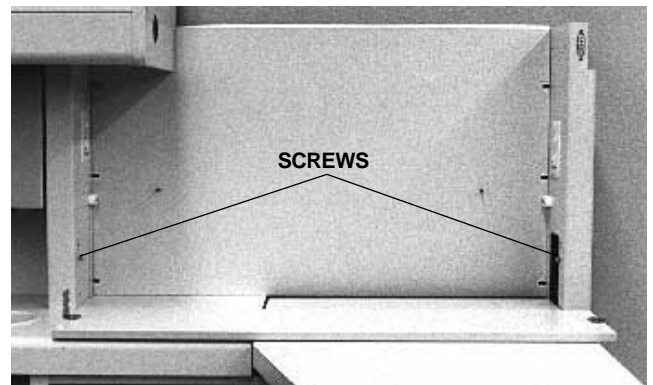


FIGURE 22

- Place the bottom notches in the brackets (attached to the accessory panel) on the two screws. Rotate the panel up into position and install the remaining two screws through the upper notches, into the upper module columns. Tighten all four screws.
- Place the shelf on the two connectors at the back of the module and insert the two gold-colored screws in the holes in the back of the shelf. Then place the front of the shelf on the top of the accessory panel (see Figure 23).

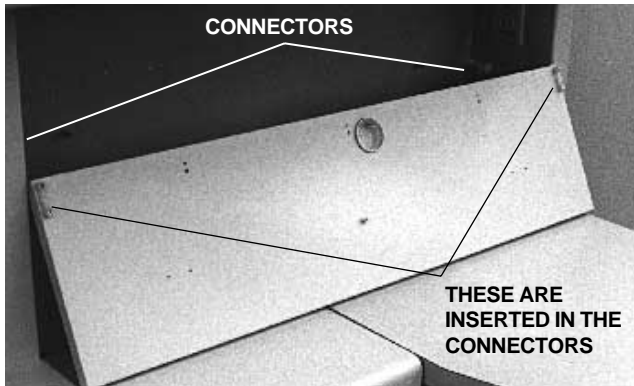


FIGURE 23

- Install the cover caps on the four visible cam lock screws (see Figure 24).

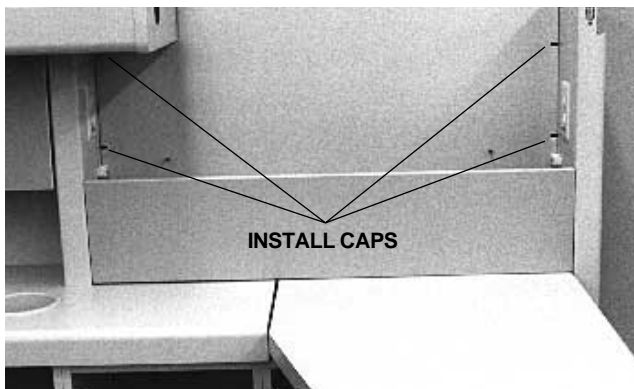


FIGURE 24

INSTALL THE UPPER SHELF(S)

- Have the Doctor specify the location of the upper module shelf(s).
- Install the shelf supports, from Kit No. 55-2078-00, in the appropriate holes (see Figure 25).

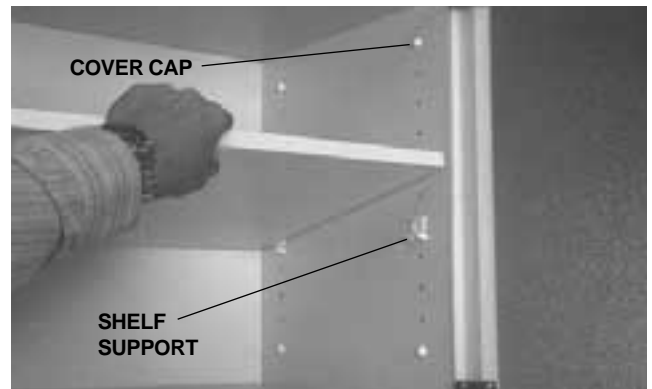


FIGURE 25

- Place the shelf in the module and rest it on the shelf supports.
- Place the cover caps over the fasteners in the upper modules.

CONNECT THE TASK LIGHT WIRING

- Route the wiring through the hole in the divider end cap (see Figure 26, the wiring is shown outside of the end cap for clarity). Connect the task light wiring as shown.

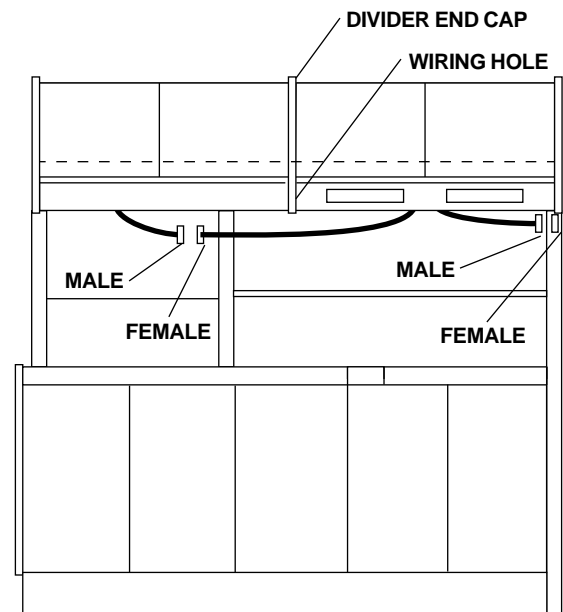


FIGURE 26

CONNECT WIRING

1. Connect the Preference II wiring to the office wiring.

NOTE

More than one Preference II task light can be wired to the master switch.

Refer to A-dec Publication No. 85-0323-00 for a typical wiring diagram illustrating this type of connection.

Electrical wiring should be connected by a qualified electrician.

PLUMB THE WASH STATION

1. Slide two brass washers and a brass nut over the small end of both three foot long gray tubings (see *Figure 27*). Insert the gray tubings into the mixing valve supply lines. The nipple end must be toward the mixing valve. Slide the washers and nut onto the mixing valve supply line and tighten firmly.

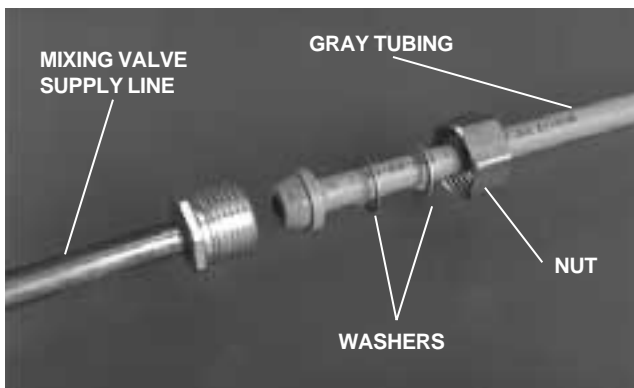


FIGURE 27

2. Remove the nuts from the manual shutoff valves, then discard the brass compression sleeves. Slide the nut and a new plastic compression sleeve onto both gray tubings (see *Figure 28*). Be sure the tapered end of the compression sleeve is pointed toward the manual shutoff valve. Firmly tighten each nut.

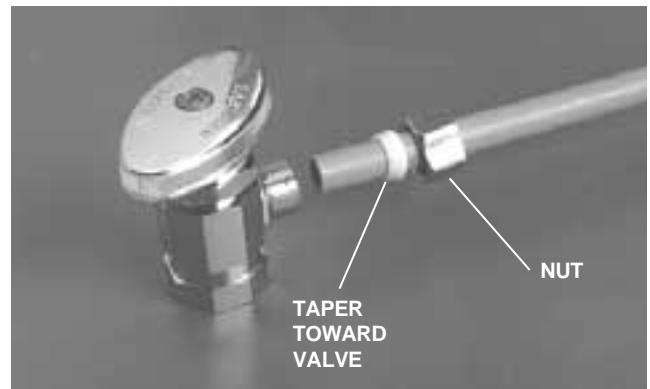


FIGURE 28

3. Cut both gray tubings 6" (152.4 mm) from the manual shutoff valves.
4. Remove the nuts from each of the air-actuated valves. Discard the brass compression sleeves if present, and install plastic compression sleeves. Slide the nuts and new plastic compression sleeves onto the newly cut gray tubing. Be sure the tapered end of the compression sleeve is pointed toward the valve. Install the two valves, with the flat manifold "step" **toward** the mixer valve, then tighten the nuts (see *Figure 29*).

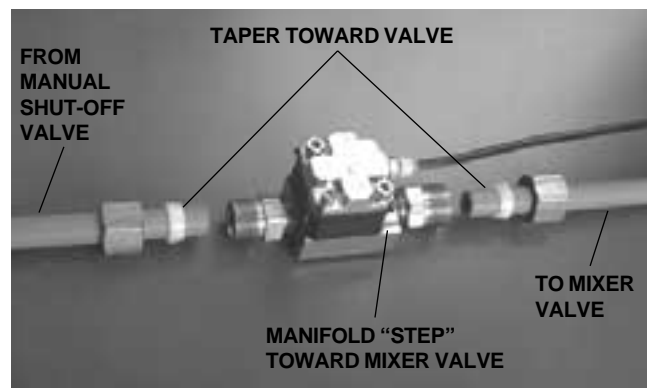


FIGURE 29

IMPORTANT

The air-actuated valves **must** be installed with the flat manifold "step" toward the mixer valve.

5. Complete the faucet installation according to the instructions packaged with the faucet.
6. Connect the master air tubing (1/8" yellow with red stripe tubing), which comes from the toe plate valve, to the tee in the master air tubing coming from the utilities.

INSTALL THE WASH STATION DRAIN

GRAVITY DRAIN

1. Connect the wash station to the office drain in accordance with prevailing local plumbing codes.
Go to Step INSTALL THE SOAP DISPENSER.

VACUUM DRAIN (Optional)

1. The vacuum wash station drain requires a minimum of 12" (304.8 mm) of vertical space below the end of the drain tube (see Figure 30).

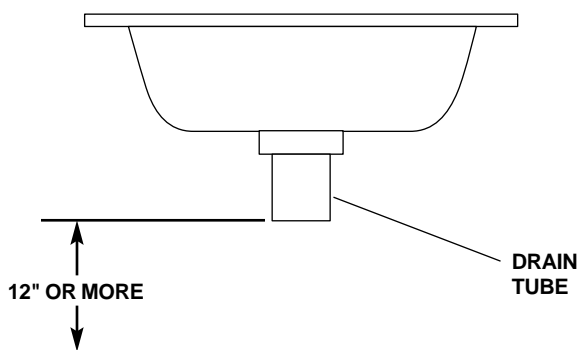


FIGURE 30

NOTE

If a drain loop-vent is being installed in the central console, the loop-vent must be positioned between the sink and the closest end of the lower module.

2. Install the vacuum wash station assembly on the adapter, then tighten the thumbscrews in the groove (see Figure 31).

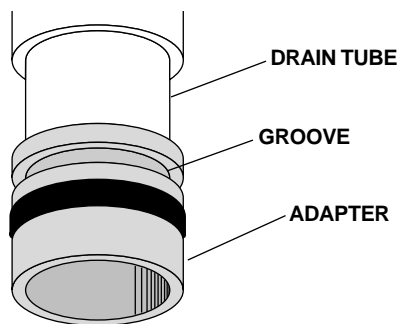


FIGURE 31

3. Install the convolute drain tubing from the vacuum valve to the central vacuum system. Trim the tubing as short as possible without stretching it. Connect the 1/8" yellow tubing coming from the vacuum signal valve to the matching 1/8" yellow tubing coming from the utilities.
4. Screw the solids separator jar onto the bottom of the vacuum drain assembly. **Be sure the gasket is properly seated (see Figure 32).**

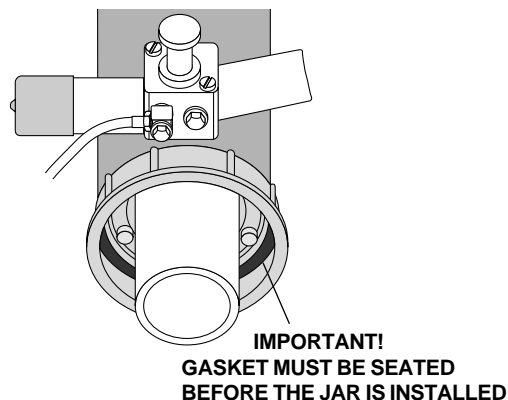


FIGURE 32

INSTALL THE SOAP DISPENSER

1. Screw the bottle onto the pump assembly and press the head assembly onto the pump assembly (see Figure 33).

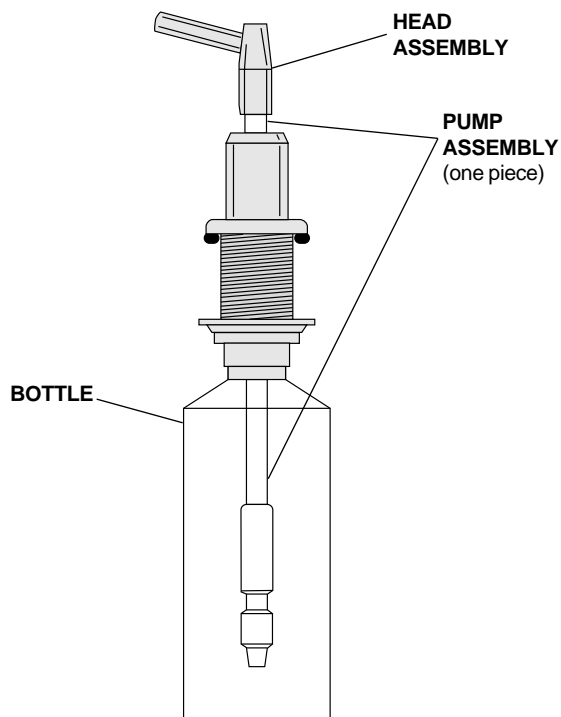


FIGURE 33

TESTING THE VACUUM WASH STATION

1. Fully open the hot and cold water manual shut-off valves. Check all plumbing connections for leaks.
2. Turn on the air and vacuum supplies. Check all plumbing connections for leaks.
3. Run water in the wash station. Check for leaks around the solids collector jar and all other plumbing connections.

VACUUM DRAIN ADJUSTMENT

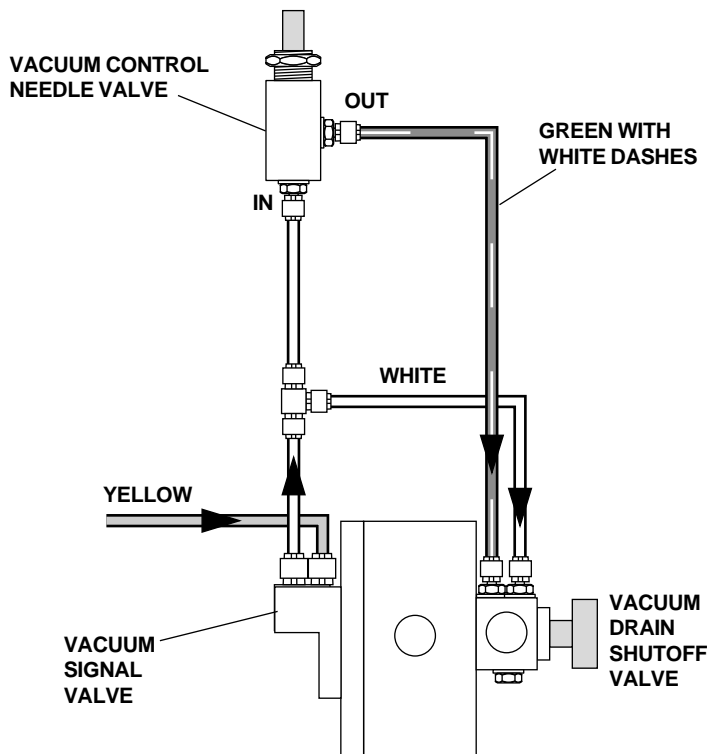
If the vacuum actuator malfunctions, the wash station will drain continuously, or will back up into the sink.

There are two adjustments that control the operation of the vacuum drain shut-off valve:

The vacuum signal valve adjustment.

The vacuum control needle valve adjustment.

Refer to Figure 34 when making adjustments to the vacuum drain.



1. Close the vacuum control needle valve by turning it fully clockwise. Then open it two full turns.
2. ***If the drain is operating continuously:***
Use a $\frac{3}{32}$ " hex key to slowly turn the vacuum signal valve adjusting screw counterclockwise *until the drain just closes and the vacuum sound stops*. Then turn the screw counterclockwise one full turn.

If water backs up into the bowl:

Use a $\frac{3}{32}$ " hex key to slowly turn the vacuum signal valve adjusting screw clockwise *until you just hear the vacuum sound as the drain opens*. Then turn the screw clockwise one full turn.

3. Activate the bowl rinse a **minimum** of two times. The wash station should operate silently, without water backing up in the sink.
4. Adjust the vacuum control needle valve so the water level is about 1" (25.4 mm) above the bottom of the sight tube when the drain opens.

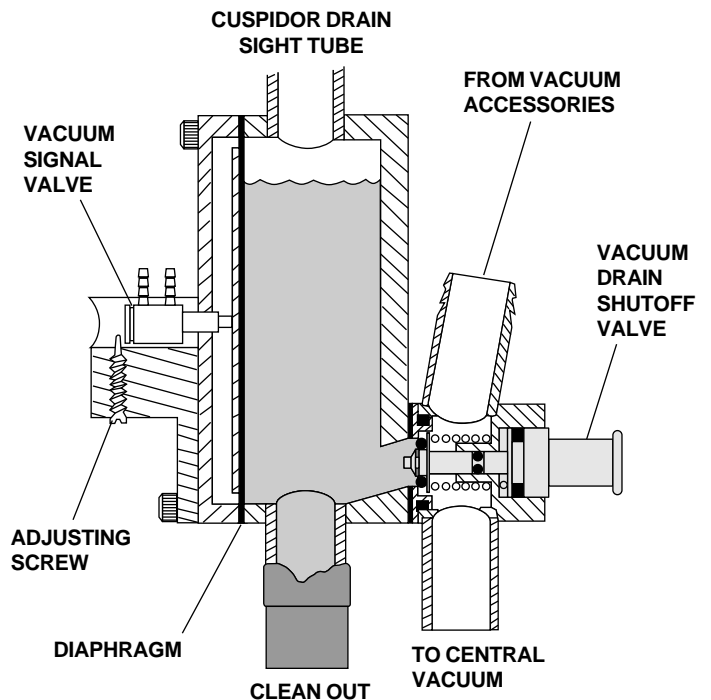


FIGURE 34

REINSTALL THE LOWER ASSEMBLY DOORS AND FALSE BOTTOM

1. Reinstall the lower assembly doors (see Figure 35) and drawers.

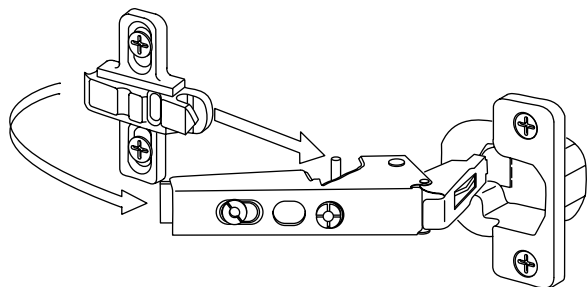


FIGURE 35

2. Reinstall the false bottoms in the lower assembly.

ADJUSTMENTS

CABINET DOOR ADJUSTMENT

1. Inspect the cabinet doors for proper alignment (see Figure 36). Adjust the doors as required. When properly adjusted, the doors should open and close without binding or rubbing. The doors should also be evenly spaced in the opening, with no excessive gaps.



CORRECT ALIGNMENT



INCORRECT ALIGNMENT

FIGURE 36

2. Refer to Figure 37 to locate the adjustment screws.

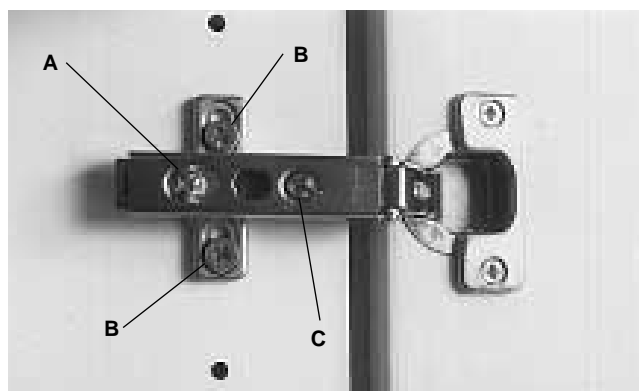


FIGURE 37

Depth Adjustment:

Loosen screw “A” on both the upper and lower door hinges one full turn. Move the door, in or out, to the desired depth. Tighten the screws.

Height Adjustment:

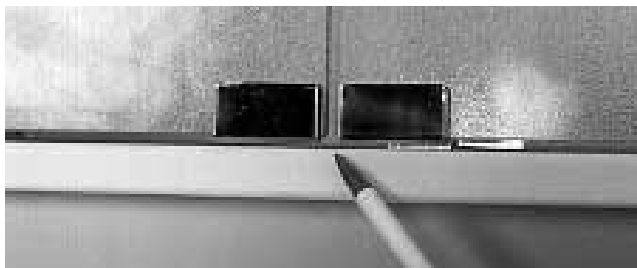
Loosen screws “B” on both the upper and lower door hinges 1/4 turn. Move the door up or down to the desired position. Tighten the screws.

Side-to Side Adjustment:

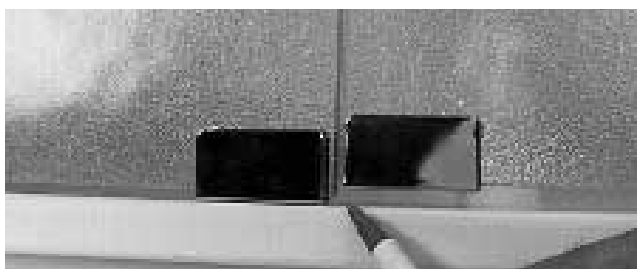
Turn screw “C” on both the upper and lower door hinges until the door is in the desired position.

GLASS DOOR ADJUSTMENT

1. Inspect the glass doors for proper alignment (see *Figure 38*).



CORRECT ALIGNMENT



INCORRECT ALIGNMENT

FIGURE 38

2. Loosen the screws at the hinge (see *Figure 39*). Straighten the door, then tighten the screws.

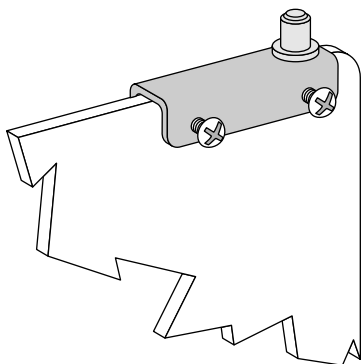


FIGURE 39

DRAWER PUSH-LATCH ADJUSTMENT

1. Remove the drawer, then remove the retaining pin from the barrel of the push-latch (see *Figure 40*).

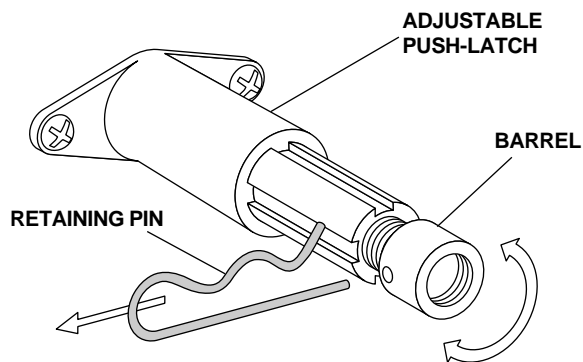


FIGURE 40

2. Turn the adjusting barrel $\frac{1}{2}$ turn at a time, in or out, as necessary. Test the latch and adjust the barrel again if necessary.
3. Install the push-latch barrel retaining pin and reinstall the drawer.

INSTALLING INSTRUMENTATION

ASSISTANT'S INSTRUMENTATION

1. Complete the Assistant's Instrumentation Installations Instructions, A-dec Publication No. 85-0528-00 (included with the Assistant's Instrumentation).

DUO INSTRUMENTATION

2. Complete the Duo Instrumentation Installation Instructions, A-dec Publication No. 85-0548-00 (included with the Duo Instrumentation).

BEFORE LEAVING THE FACILITY

1. Instruct the dental team on the proper operation and maintenance of the treatment console and distribute the Owner's Guides.



Recycle
Conserve

Made with 10% post-consumer fiber

Printed in the USA on
paper manufactured in
the USA or Canada.
Copyright © 1997
All Rights Reserved