

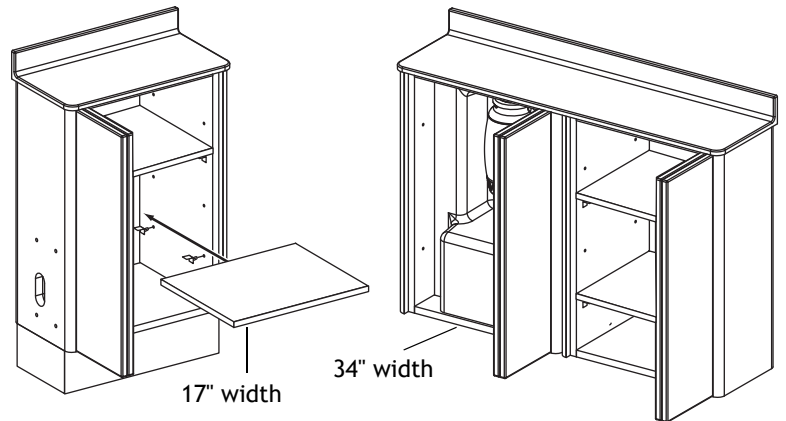
# Preference Slimline™ 5537 Utility Console INSTALLATION GUIDE



**WARNING** Failure to install the 5537 as described in this installation guide may cause the unit to collapse, resulting in serious injury to personnel.

## Recommended Tools

- Measuring tape
- Level
- Powered Phillips screwdriver
- Powered drill
- 1/2" and 9/32" drill bits
- #2 Pozi drive screwdriver
- Hex key set
- 7/16" wrench



## Before You Begin

Before installing the 5537 utility console:

- Check with local building and code authorities about installation requirements. They differ from state to state and internationally.
- Check that a manual air shutoff valve is installed where needed (supplied by the contractor).



**CAUTION** Purge any debris from the air lines. Failure to do this causes leaks.

- Use the mini-templates provided in the *A-dec Dental Furniture Technical Packet*, p/n 86.0142.00, or the full-size templates ordered with the product to mark the location.

- (1) Determine the utility console location. Use the full-size template to determine placement of the utility console (see Figure 2 on page 2).
- (2) Determine the delivery system mount location.
- (3) Install air and utilities using the full-size template and technical packet for reference.



**NOTE** You can order full-size templates when ordering the product or obtain online at the A-dec Partner Resources site, [www.a-dec.biz](http://www.a-dec.biz).



**WARNING** Consult a licensed professional, i.e. structural or architectural engineer, for mounting to metal stud or masonry walls. Ensure that all installations conform to local code requirements. Mounting structures must be designed to support a minimum shear load of 100 lb. (445 N) and a minimum moment of 112 ft.-lb. (152 Nm).

- Unpack the utility console:
  - Remove the utility console from the packaging.
  - Separate kits from the packaging and set aside.

## Hardware Identification

Figure 1. Hardware

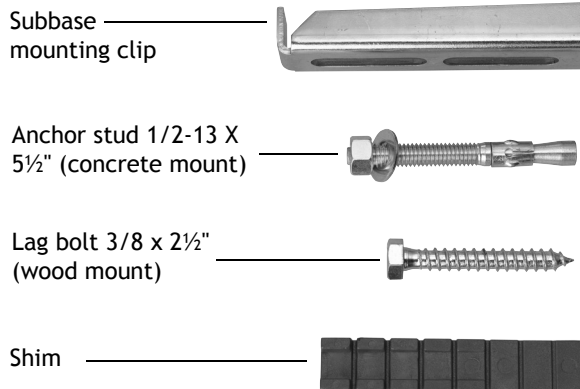
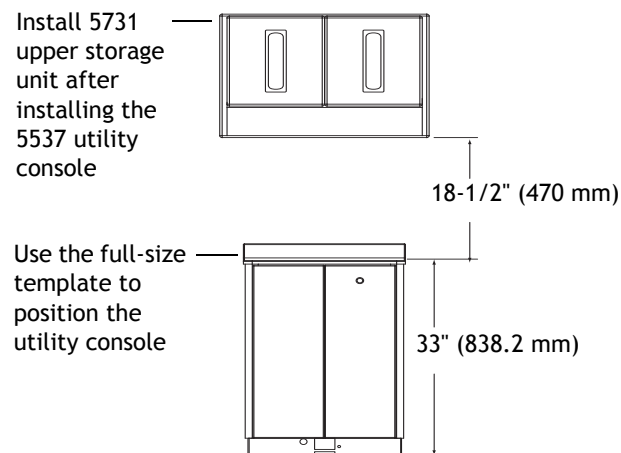


Figure 2. Before Installing the Console



## Installation Steps

The 5537 utility console is available in storage and utility models. Depending on the utility console model or option ordered, you can skip the steps that do not apply to your specific configuration.

### Install the Model 541/545 12 O'Clock Delivery Mount

Use the mount kit (p/n 56.0956.00) and the appropriate procedure for the type of floor construction present to install the 12 o'clock delivery mount:

#### Attach the Mount - Concrete Floor

1. Drill mounting holes (see Figure 3).
  - Drill 1/2" (13 mm) diameter holes where marked. Drill each hole 2-3/4" (69.9 mm) deep.
2. Remove debris from the holes. Drive 1/2" X 4" concrete studs into the holes.
3. Position and attach the mount.
  - (1) Position the 12 o'clock delivery mount over the studs (see Figure 4).
  - (2) Install and tighten the nuts on the studs.

#### Attach the Mount - Non-Concrete Floor

1. Drill the holes.
  - (1) Drill 3/8" (9.5 mm) diameter holes where marked. Drill each hole 3-1/4" (82.5 mm) deep.
  - (2) Remove debris from the holes.

Figure 3. Attach Mount to Concrete Floor

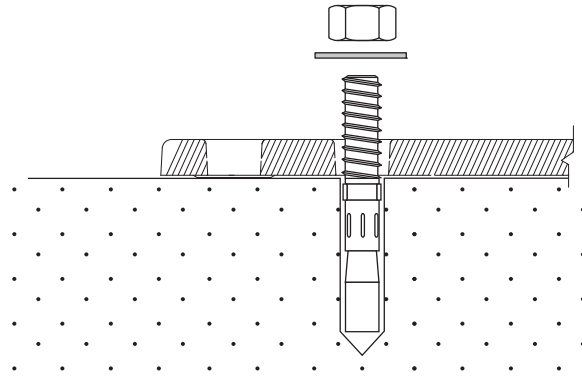
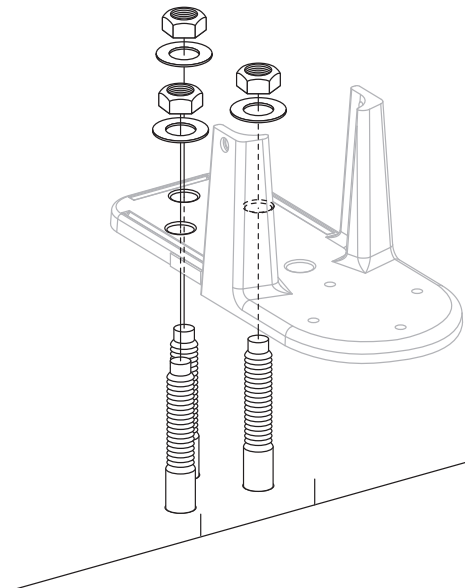


Figure 4. Attach Mount to Concrete Floor



2. Position and attach the mount (see Figure 5).

- (1) Position the 12 o'clock delivery mount over the drilled holes.
- (2) Install 1/2" X 4" lag screws. (see Figure 5).



**NOTE** Install the 541/545 12 o'clock delivery system after installing the utility console. Refer to the *A-dec 500 12 O'clock System Installation Guide* (p/n 86.0466.00) for instructions on installing the 12 o'clock delivery unit.

Figure 5. Attach Mount to Non-Concrete Floor

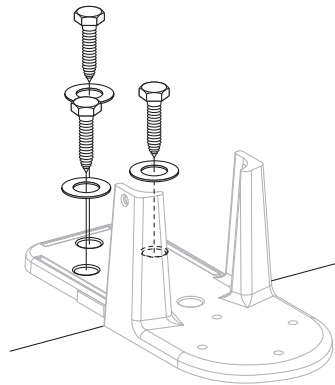


Figure 6. Remove the Doors and Place Utility Console in the Position Marked

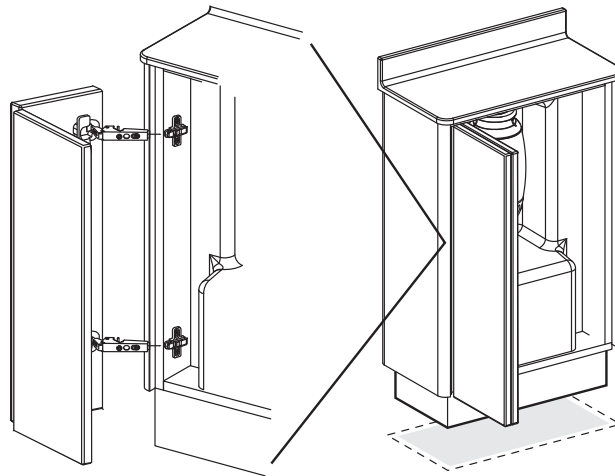
## Attach the Console

1. Release the console door hinges and remove the door (see Figure 6).



**NOTE** The equipment model utility console must have the utility insert removed to install the console. Remove the screw securing the utility insert and remove the insert.

2. Position the utility console over the 12 o'clock delivery mount (if installed) in the marked area (see Figure 6).
3. Attach the anchor clips on the console subbase lip (see Figure 7 on page 5). Place the anchor clips close to the corners.



## Mark the Anchor Clip Holes

1. Mark the anchor clip hole locations on the floor (see Figure 7).
2. Remove the clips from the subbase.



**NOTE** The cut-out in the bottom panel determines how close you can mount the anchor clips to the corners. Place anchor clips where you have the best access when drilling the mounting holes and installing the anchor clips.

## Drill the Anchor Clip Holes

Use the appropriate steps for the floor type:

### Concrete Floor

1. Drill the marked anchor bolt holes 1/2" (12.7 mm) diameter, and a minimum of 3-1/2" (88.9 mm) deep (see Figure 8).
2. Remove debris from the holes.

### Non-Concrete Floor

1. Drill the marked anchor bolt holes 9/32" diameter (7.14 mm), minimum of 1-1/2" (38 mm) deep (see Figure 9).



**NOTE** Consult your licensed building contractor about adding reinforcement if flooring material is not at least 1-1/2" (38 mm) thick.

2. Remove debris from the holes.

## Secure the Anchor Clips

Use the appropriate steps for the floor type:

### Concrete Floor

1. Drive the bolts into the holes (see Figure 8).
2. Replace the anchor clips to the subbase lip, over the bolt.
3. Place a washer and hex nut on the bolt but do not tighten.

Figure 7. Mark the Anchor Clip Mounting Holes

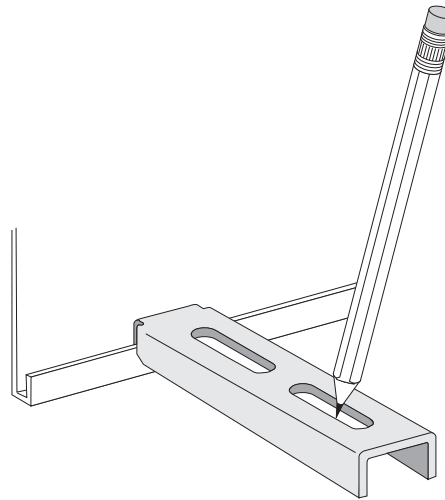


Figure 8. Secure the Anchor Clip to a Concrete Floor

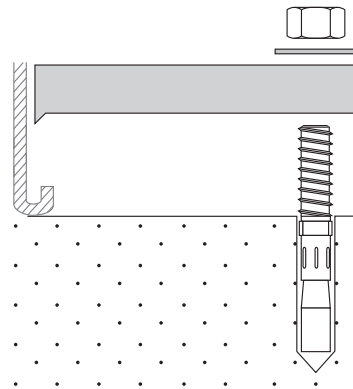
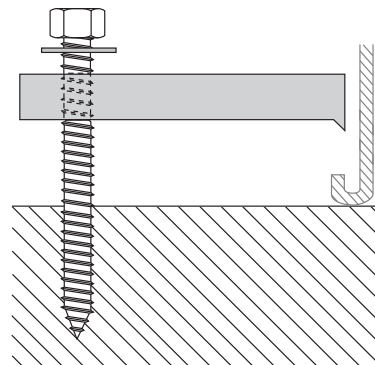


Figure 9. Secure the Anchor Clip to a Non-Concrete Floor



### Non-Concrete Floor

1. Place the anchor clips on the subbase (see Figure 9 on page 5).
2. Place a washer on each anchor bolt and insert the bolts into the drilled holes through the anchor clips.

### Level and Secure the Utility Console

1. Level the console (see Figure 10).
  - (1) Adjust the console leveling feet. Use a 7/16" wrench.
  - (2) Place a level on the console countertop while adjusting the leveling feet. Check from front to back and side to side.
  - (3) Recheck the level.
2. Secure the console.
  - (1) Position shims under the subbase beneath the area of the anchor clips as necessary.
  - (2) Tighten each bolt firmly. If the shims protrude beyond the subbase, trim the excess (see Figure 11).

Figure 10. Level the Utility Console

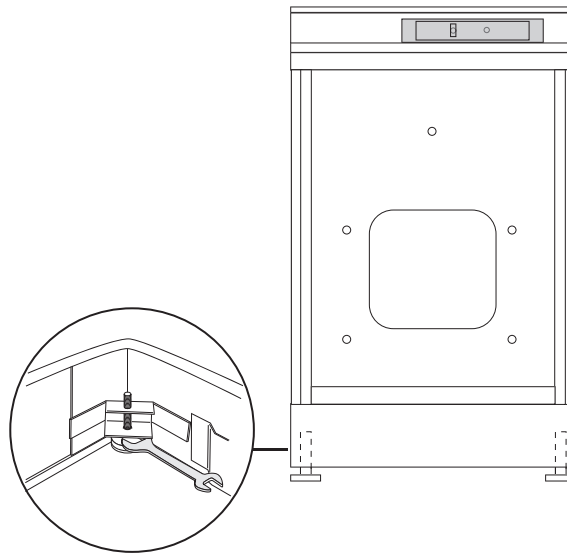
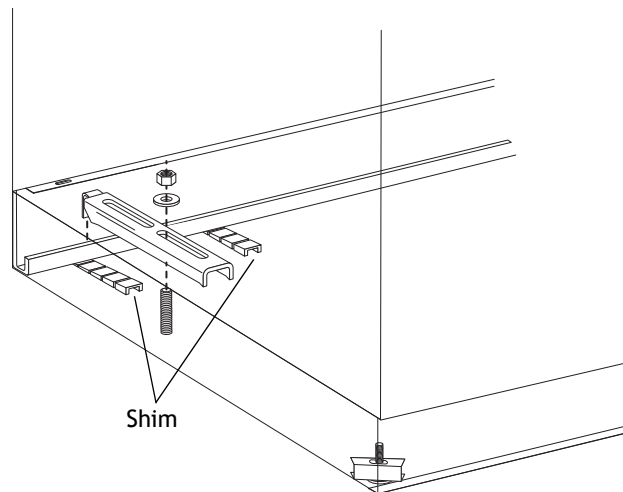


Figure 11. Secure the Utility Console



## Install Optional Equipment

Install the utility console optional equipment in the order given. Skip the options you are not installing.

### Install the Doors

1. Insert the door hinges into the utility console clips.
2. Push hinges and clips together until locked in place (see Figure 14).

### Install the Water Bottle

1. Attach the self-contained water bottle receptacle to the underside of the utility console countertop. Use the screws provided. Route tubing into utility area.
2. Place utility insert into the console (see Figure 12).
3. Attach the insert to the back of the console. Use the mounting screw provided.
4. Attach the self-contained water bottle to the receptacle. Refer to the installation instructions included with the water bottle.

### Install the Storage Console Shelf

1. Install the shelf mounting clips (see Figure 13).
2. Place shelf on the clips.



**TIP** Check with the dental team to identify shelf position in the utility console.

Figure 12. Place Utility Insert in Console

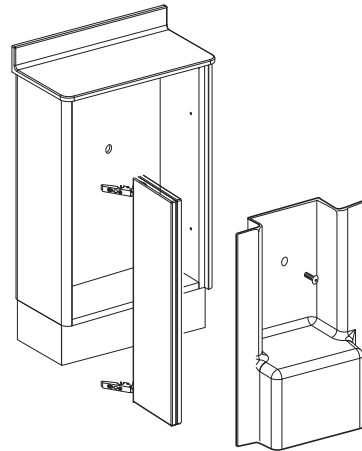


Figure 13. Install the Storage Shelf

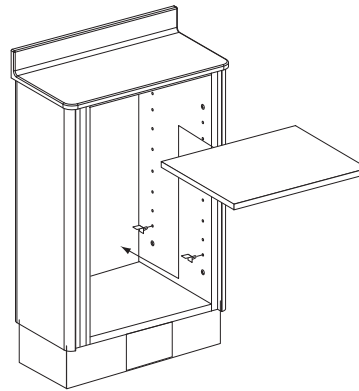
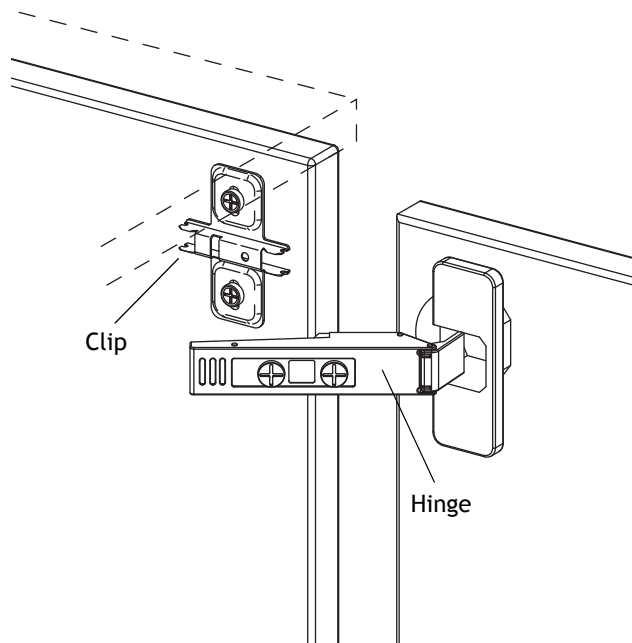


Figure 14. Lock Hinges to Quick Release



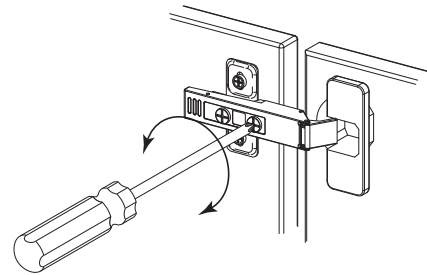
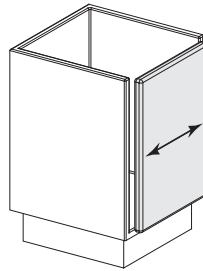
## Adjustments

Correct adjustments create even spaces between the doors and a straight appearance from door to door. You can adjust the utility console doors for side-to-side, height and depth alignment.

### Adjust the Side

1. Turn front screw to increase or decrease door overlay (+/- 2mm) (see Figure 15).
2. Check your adjustment.

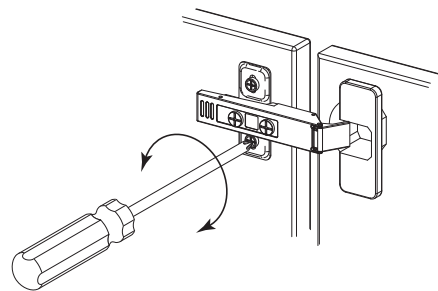
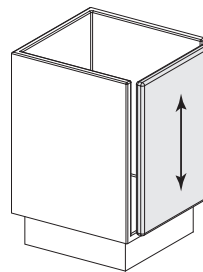
Figure 15. Adjust Side



### Adjust the Height

1. Loosen the screws on mounting plates to adjust door position (+/- 2mm) and retighten the screws (see Figure 16).
2. Check your adjustment.

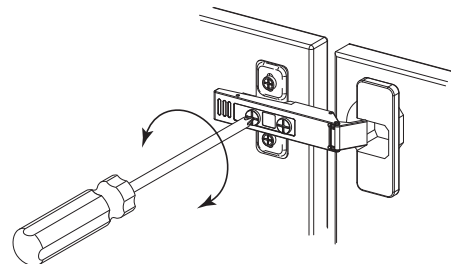
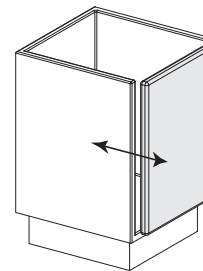
Figure 16. Adjust Height



### Adjust the Depth

1. Turn rear screw to adjust door position (+ 3mm, - 2mm) (see Figure 17).
2. Check your adjustment.

Figure 17. Adjust Depth



## Regulatory Information

Regulatory information is provided with A-dec equipment as mandated by agency requirements. This information is delivered in the equipment's *Instructions for Use* or the separate *Regulatory Information and Specifications* document. If you need this information, please go to the Document Library at [www.a-dec.com](http://www.a-dec.com).



### A-dec® Headquarters

2601 Crestview Drive  
Newberg, OR 97132 USA  
Tel: 1.800.547.1883 Within USA/Canada  
Tel: 1.503.538.7478 Outside USA/Canada  
Fax: 1.503.538.0276  
[www.a-dec.com](http://www.a-dec.com) / [www.a-dec.biz](http://www.a-dec.biz)

*A-dec Inc. makes no warranty of any kind with regard to the content in this document including, but not limited to, the implied warranties of merchantability and fitness for a particular purpose.*

