



Preference Collection®

5543 Central Console

INSTALLATION GUIDE



WARNING Failure to install the 5543 as described in this installation guide may cause the unit to collapse, resulting in serious injury to personnel.

Recommended Tools

- Hex key set
- 7/16" Open-end wrench
- 1/2" concrete or 9/32" and 3/8" wood drill bit
- Drill
- Leveling device (minimum 2' long)
- Phillips head and standard screwdriver
- Adjustable wrench
- 3/4" Socket (deep) with 6" extension
- Ratchet
- #2 POZI screwdriver for adjusting doors

Before You Begin





















- Check with appropriate building and code authorities about local installation requirements.
- Ensure that the manual air and water shutoff valves are installed where needed.



CAUTION Purge any debris from the air and water lines. Failure to do this causes leaks.

- The utilities must be installed according to prevailing building codes and the appropriate Preference Collection 5543 Central Console templates. For pre-installation instructions, refer to the *Dental Furniture Pre-Installation Guide* (p/n 86.0142.00) found in the Document Library on www.a-dec.com.

Table 1. Hardware List

Ref#	Image and Description	Ref#	Image and Description
1	 Phillips head screw - #8 x 1/2"	11	 Allen bolt - 1/4-20 x 2-3/4"
2	 Phillips head screw - #6 x 1/2"	12	 Allen bolt - 1/4-20 x 2"
3	 Phillips machine screw - M4 x 11.5 mm	13	 Screw in dowel - 5 mm x 1-1/2"
4	 Barrel bolt - M4 x 25.5 mm	14	 Screw in dowel - 5 mm x 13 mm
5	 Phillips machine screw - 10-32 x 1-3/4"	15	 Allen bolt - 10-32 x 2"
6	 Phillips machine screw - 10-32 x 1-1/4"	16	 Washer - .265 ID
7	 Phillips head machine screw - 10-32 x 1"	17	 Cover Cap - 25 mm
8	 Phillips head machine screw - 6-32 x 3/8"	18	 Phillips head screw - #8 x 1-3/4"
9	 Cover cap - #8/10	19	 Anchor stud - 1/2-13 x 5-1/2"
10	 Nut - 10-32 x 3/8" x 5/32"	20	 Lag bolt - 1/2 x 3-1/2"




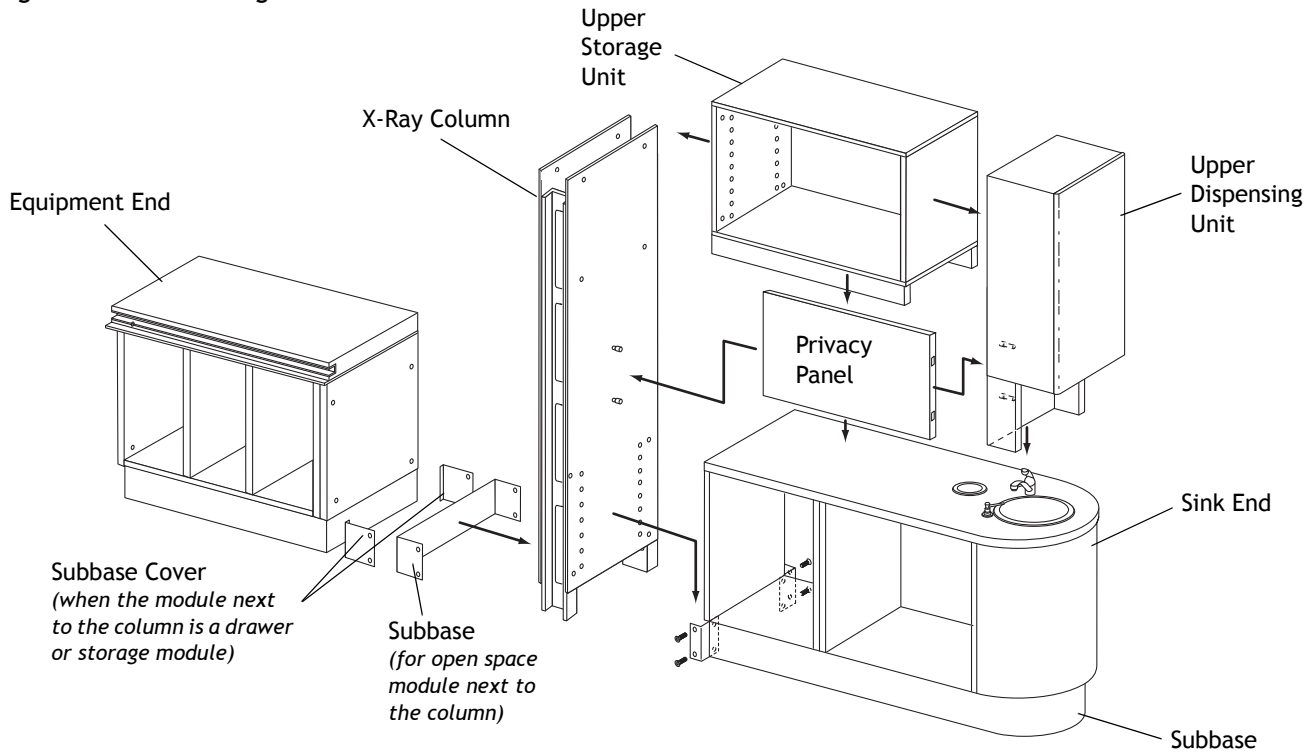
Ref#	Image and Description	Ref#	Image and Description
21	 Lag Bolt - 3/8 x 2 1/2"	23	 Screw-in Dowel - #12 x 7/16"
22	 Washer - .406 ID		

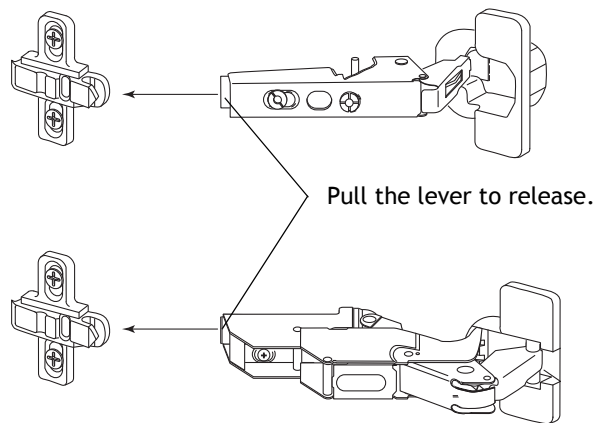
Figure 1. Disassembling the Central Console



Before You Begin (cont.)

- Depending on the configuration, consoles are shipped in various stages of assembly. Refer to the appropriate section to begin installation. If the console has to be disassembled to place in the correct location, refer to Figure 1 above. Remove drawers, doors, and false bottoms where necessary, making sure to note the locations for reassembly. The doors are fitted with quick release hinges (see Figure 2).
- Use the hardware list and reference numbers in Table 1 to help you identify and use the correct fasteners.

Figure 2. Quick-Release Hinges (two versions shown)



Installation Steps

Install the Sink End of the Console

Noting their original location, remove the drawers, shelves, false bottoms, and doors from the sink end.



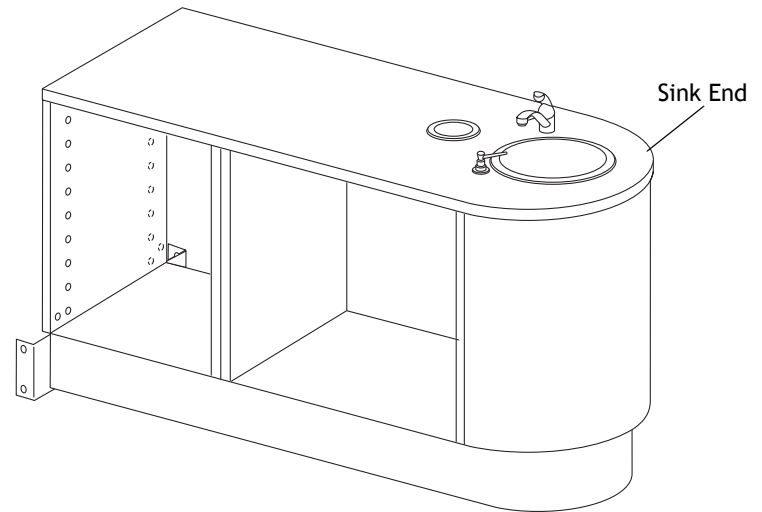
NOTE Noting the original locations of the drawers, shelves, and false bottoms will save time by eliminating major adjustments for alignment and spacing when they are reassembled.

Position the sink end in the desired location (see Figure 3).

Install the X-Ray Column

1. Install each "L" bracket to the subbase using four #8 x 1/2" screws (see Figure 4, A).
2. Position the x-ray column against the sink end subbase and secure it to the sink end console using four screws and barrel bolts (see Figure 4, B).

Figure 3. Position the Sink



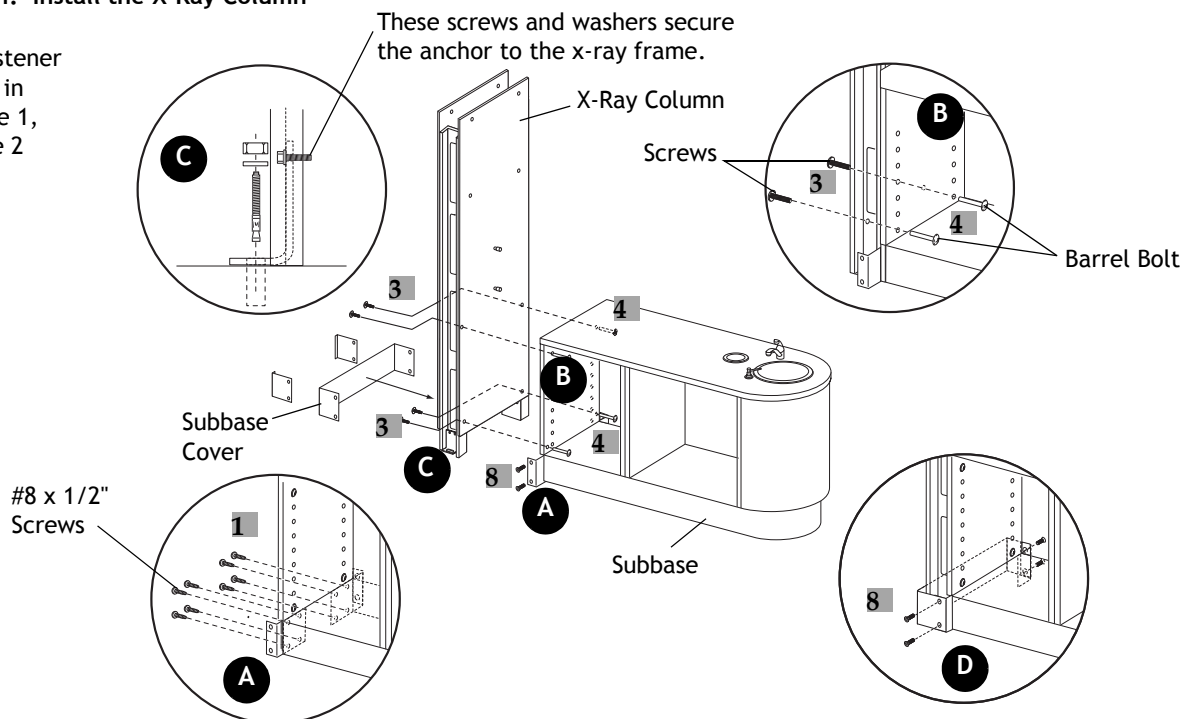
3. Place the x-ray column anchor on the floor in the correct location by loosening the screws (see Figure 4, inset C).
4. Drill mounting holes.

Concrete Floors

Using the x-ray column anchor as a guide, drill 1/2" (12.7 mm) diameter holes a minimum of 3-1/2" (88.9 mm) deep.

Figure 4. Install the X-Ray Column

1 = fastener ref# in Table 1, page 2

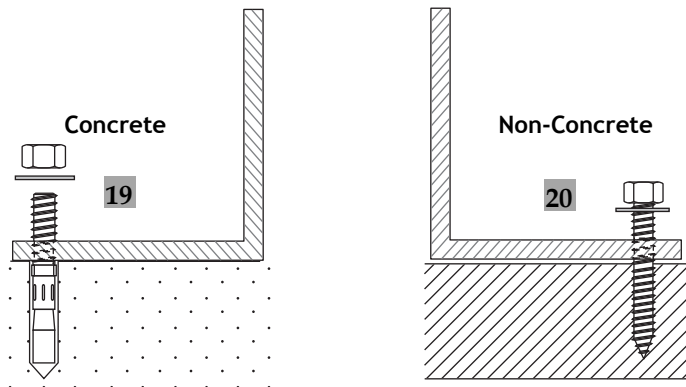


Non-Concrete Floors

Using the x-ray column anchor as a guide, drill 3/8" (9.5 mm) diameter holes a minimum of 3-1/4" (82.6 mm) deep. If the flooring material is not at least 3-1/4" (82.6 mm) thick, consult your licensed contractor about adding reinforcement to the flooring.

5. Remove debris from the drilled holes.
6. Install the appropriate fasteners to the holes (see Figure 5). Do not tighten.
7. Secure the subbase cover to the subbase, over the x-ray column, using four screws (see Figure 4, inset D).

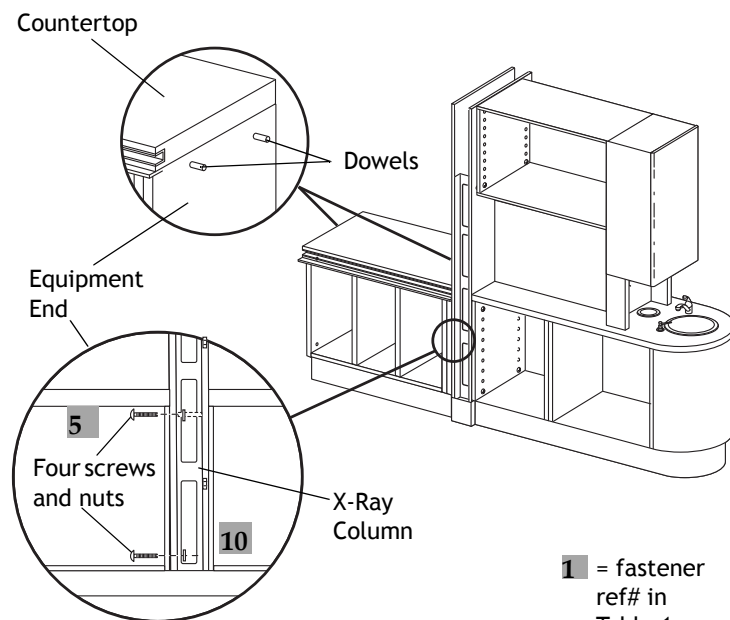
Figure 5. Anchor X-Ray Column



Install the Equipment End

1. If present, remove the packaging from the equipment-end console.
2. Using the dowels in the equipment-end of the module, align it to the x-ray column.
3. Secure the equipment-end console to the x-ray column using four screws and nuts (see Figure 6).

Figure 6. Install Equipment End



Level the Central Console



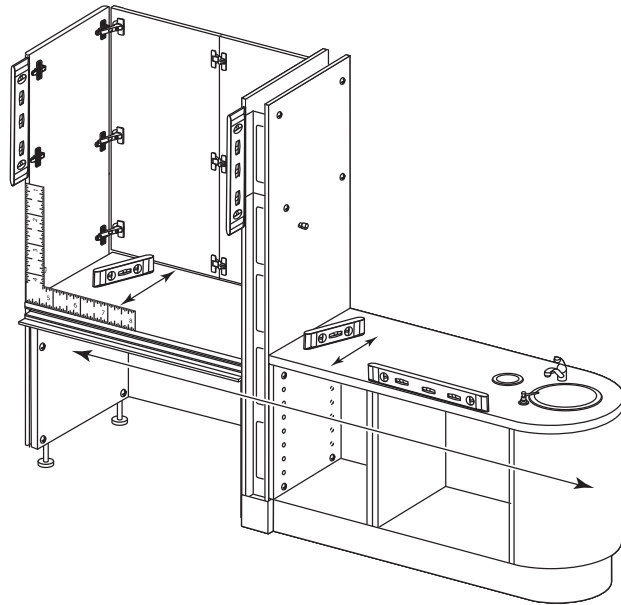
NOTE Secure the equipment end to the wash station end before leveling. It is critical that both the length and width of the whole console be plumb, level, and square (see Figure 7). Use a level that is at least 2' long.

1. Starting at the lowest corner of the cabinet, level the complete console. Adjust each leveling foot in the subbase with a 7/16" open-end wrench.
2. Check and repeat the leveling procedures until the console is level.



NOTE If the unit has a bifold equipment-end, the bifold-end cap must be square and plumb in relationship to the countertop for the bifold doors to open and close properly (see Figure 7).

Figure 7. Level the Console



Prepare to Anchor the Subbase

1. Remove the false bottoms from each module to access the subbase.
2. Place four anchor clips in both the sink end and the equipment end onto the subbase lip as close as possible to the corners of the module (see Figure 8).
3. Mark the floor where the anchor clip will be bolted (see Figure 9). Mark the bolt location as close as possible to the subbase. Remove the anchor clip.

Figure 8. Anchor Clip Positions

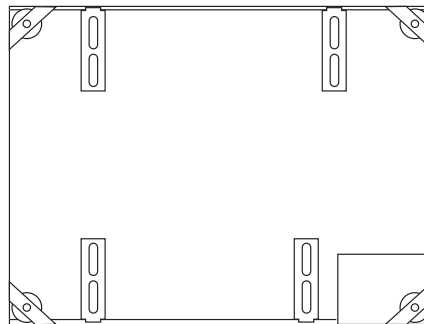
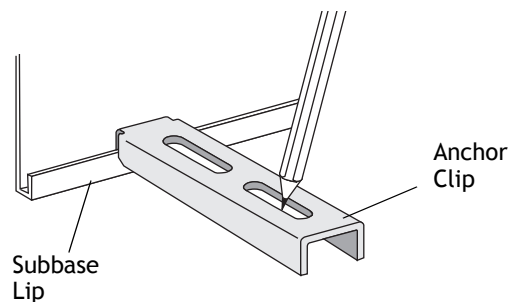


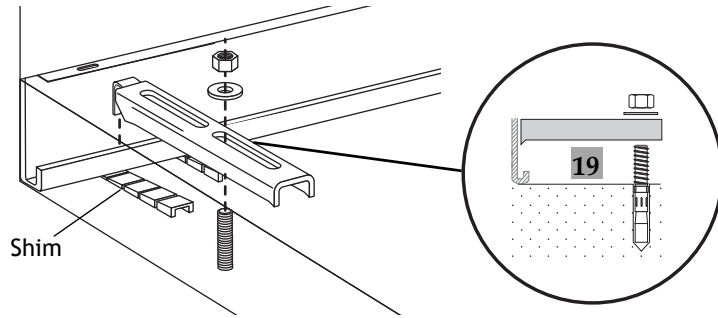
Figure 9. Mark the Drilling Location



Anchor the Subbase for Concrete Floors

1. At the locations marked, drill 1/2" (12.7 mm) diameter holes a minimum of 3-1/2" (88.9 mm) deep. Drive the bolts into the holes (see Figure 10).
2. Reinstall the anchor clips over the subbase lip (see Figure 10).
3. Loosely install a hex nut and washer over an anchor clip onto each bolt.
4. To bolt down the console, position shims under the subbase beneath the area of the anchor clip as necessary (see Figure 10). Tighten each bolt firmly.

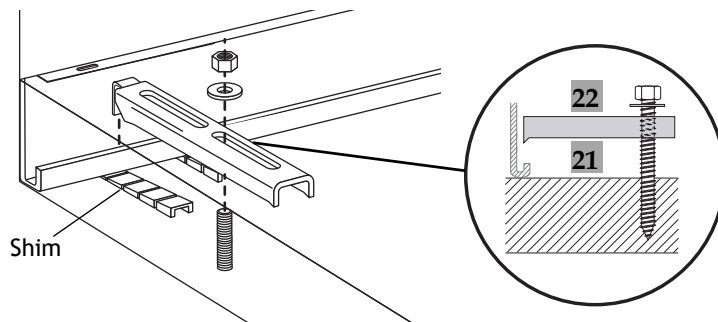
Figure 10. Install Bolt, Nut, Washer, and Anchor Clip (Concrete)



Anchor the Subbase for Non-Concrete Floors

1. Drill 9/32" (7.1 mm) diameter holes a minimum of 1-1/2" (38.1 mm) deep (see Figure 11). If the flooring material is not at least 1-1/2" (38.1 mm) thick, consult your licensed contractor about adding reinforcement to the flooring.
2. Reinstall the anchor clips over the subbase lip (see Figure 11).
3. Loosely install a bolt with a washer through each anchor clip into each drilled hole.
4. As necessary, to bolt down the console, position two shims under the subbase beneath the area of each anchor clip. Tighten each bolt firmly. If the shims protrude beyond the subbase, trim the excess (see Figure 11).

Figure 11. Install Bolt, Nut, Washer, and Anchor Clip (Non-Concrete)



Anchor the X-Ray Column

1. Secure the x-ray column anchor to the floor using the 3/4" socket, extension, and ratchet (see Figure 5 on page 6).
2. Tighten the screws securing the x-ray column anchor to the x-ray column (see Figure 4, inset C, on page 5).
3. Make the electrical connections. Refer to the *Dental Furniture Pre-Installation Guide* (p/n 86.0142.00) found in the Document Library on www.a-dec.com.

Install the Midsection

Slide down the midsection panel onto the shoulder screws of the x-ray column (see Figure 12, inset A).

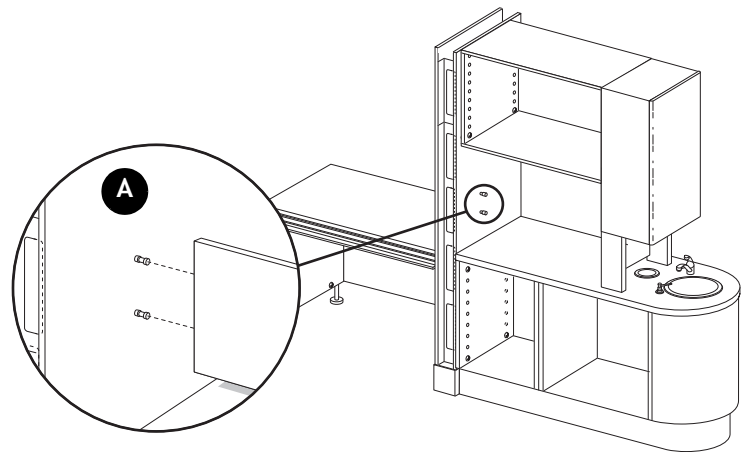
Install the Upper Storage Unit

Attach the upper storage module to the x-ray column with barrel bolts (see Figure 13, inset B).

Install the Upper Dispensing Unit

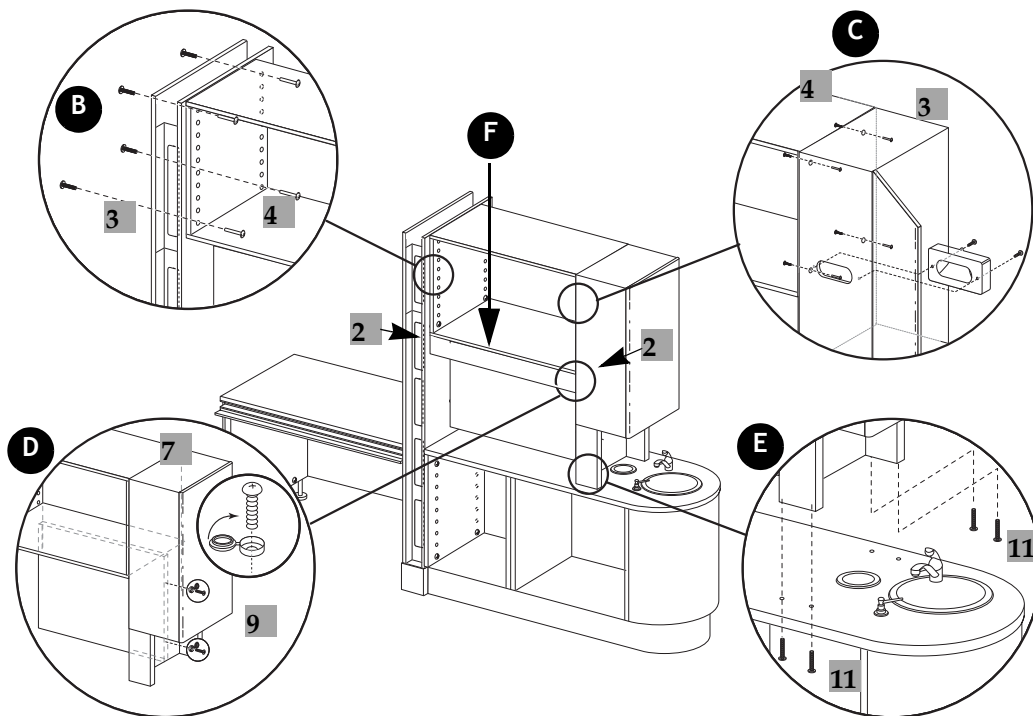
1. Attach the cup and towel module to the upper storage module with screws and barrel bolts (see Figure 13, inset C). If present and necessary, remove the side glove or tissue dispenser to access the screw locations. Reinstall the side glove or tissue dispenser if removed.
2. Install two screws and cover caps through the cup and towel dispenser module into the midsection (see Figure 13, inset D).

Figure 12. Install the Midsection



3. Align the holes in the sink end with the holes in the cup and towel dispenser module (see Figure 13, inset E).
4. Secure the cup and towel module to the sink end with four screws, coming up from under the countertop (see Figure 13, inset E).
5. Attach the master panels to the x-ray column and cup and towel dispenser module with eight screws (see Figure 13, F).

Figure 13. Install the Upper Storage and Dispensing Units



1 = fastener
ref# in
Table 1,
page 2

Install the Privacy Panel

1. If there is no x-ray, slide the privacy panel down onto the shoulder screw on the x-ray column (see Figure 14, inset C).
2. Align the privacy panel to the holes on the countertop. Install three 1/4-20 X 2" screws to secure the privacy panel (see Figure 14, inset B).
3. Using four screws and cover caps, install the end cap to the equipment end console (see Figure 14, inset A).

Install the Split Storage

1. Align the end cap to the dowels in the equipment end module.
2. Using four screws and cover caps, install the end cap to the equipment end console (see Figure 15, inset D).
3. Install the shoulder screws on the end cap, x-ray column, and panel 2 (see Figure 15).
4. Install the small shoulder screw on the countertop (see Figure 15).
5. Position panels 1 and 3 over the large shoulder screws. Tighten the cam locks (see Figure 15).
6. Place panel 2 on the pivot pin positioning the large shoulder screws into panels 1 and 3. Tighten the cam locks (see Figure 15).
7. Install two screws and washers from under the countertop into panel 2 (see Figure 15).



NOTE If you have a 42" equipment end with two 21" modules, you will not be able to screw panel 2 into place.

8. Install the cover caps on the cam locks.
9. Position the shelf clips and install the shelves, if necessary.

Figure 14. Install Equipment End Privacy Panel

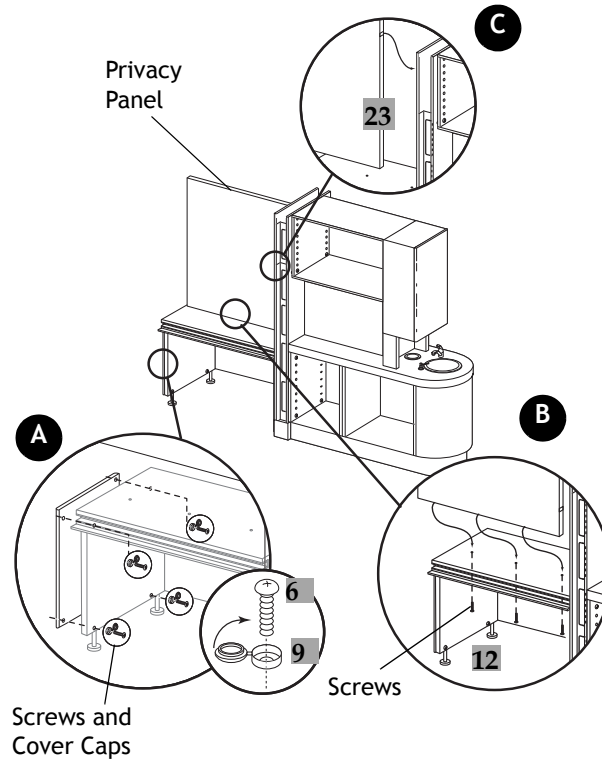
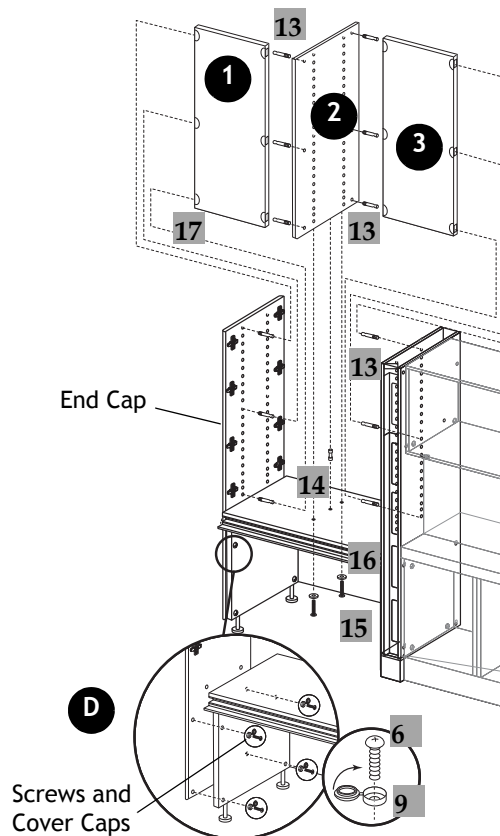


Figure 15. Install Split Storage

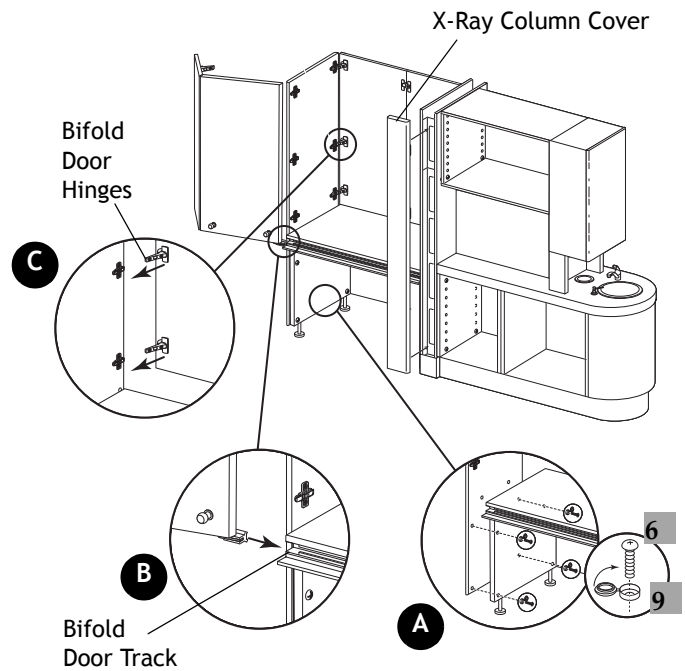


Install X-Ray Storage on a Standard Equipment End

1. If the end cap has not been installed, do so now, using the four screws and cover caps provided in the kit (see Figure 16, inset A).
2. Install the x-ray column covers (see Figure 16).
3. Install the bifold door to the track on the equipment end (see Figure 16, inset B).
4. Install the bifold door hinges (see Figure 16 inset C).

Go to "Adjust the Bifold Door" on page 15.

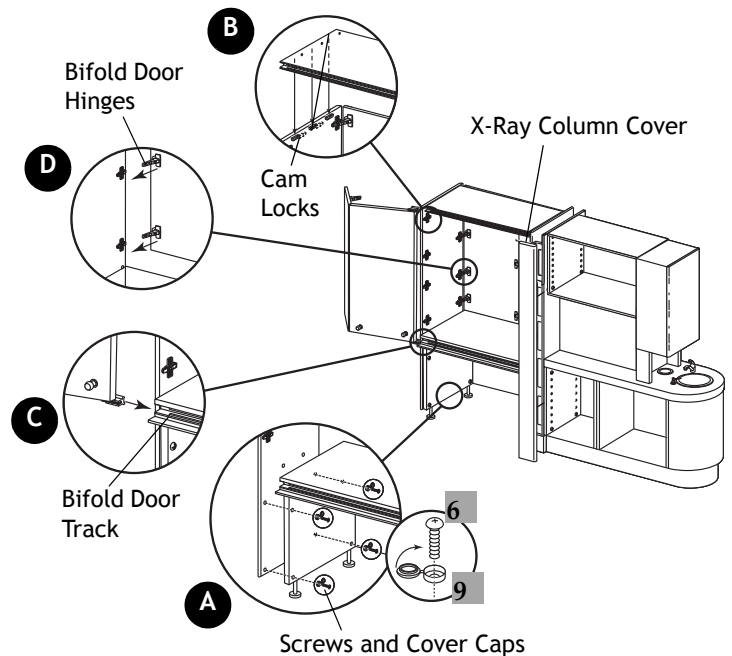
Figure 16. Install X-Ray Storage on a Standard Equipment End



Install X-Ray Storage on a Tall Equipment End

1. If the endcap has not been installed, do so now using the four screws and cover caps provided in the kit (see Figure 17, inset A).
2. Install the upper support to the cam locks on the end cap and x-ray column (see Figure 17, inset B).
3. Install the bifold door to the track on the equipment end and upper support (see Figure 17, inset C).
4. Install the bifold door hinges (see Figure 17, inset D).
5. Install the x-ray column covers (see Figure 17).

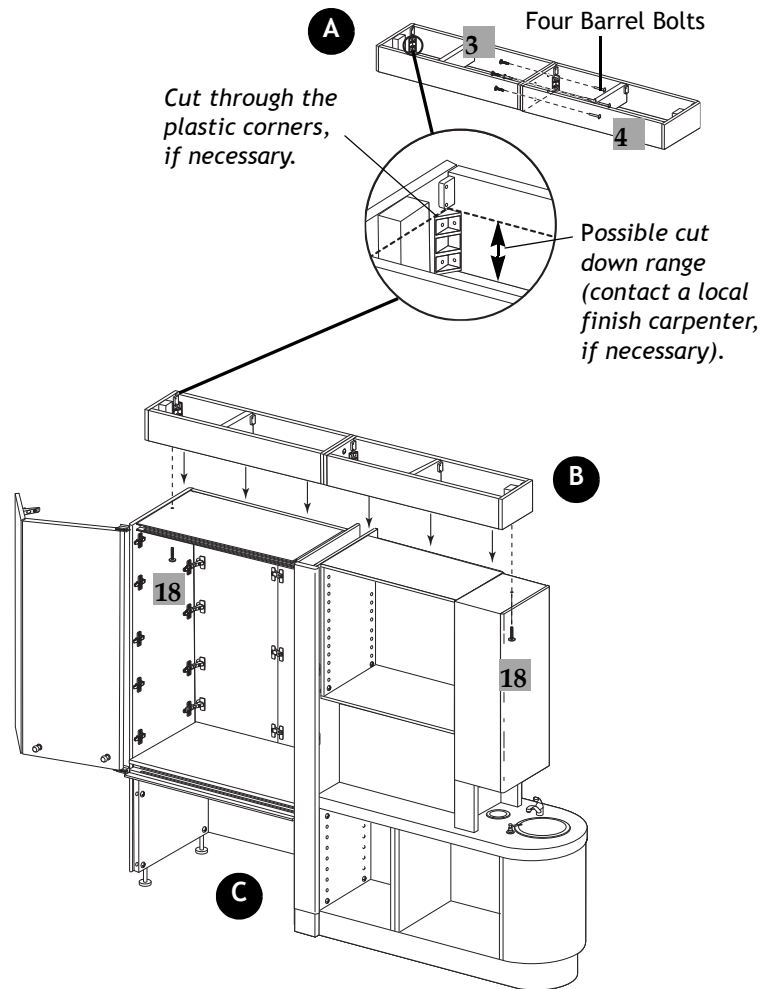
Figure 17. Install X-Ray Storage on a Tall Equipment End



Install the Top Extension

1. Measure from the ceiling to the top of the console. If the top extension needs to be cut to fit, contact a finish carpenter (see Figure 18, inset A).
2. Connect the two top extension assemblies using four screws and barrel bolts.
3. Place the top extensions above the upper support and upper storage area (see Figure 18).
4. Install one screw in the upper support to the top extension. Install another screw in the top of the cup and towel module and into the top extension.

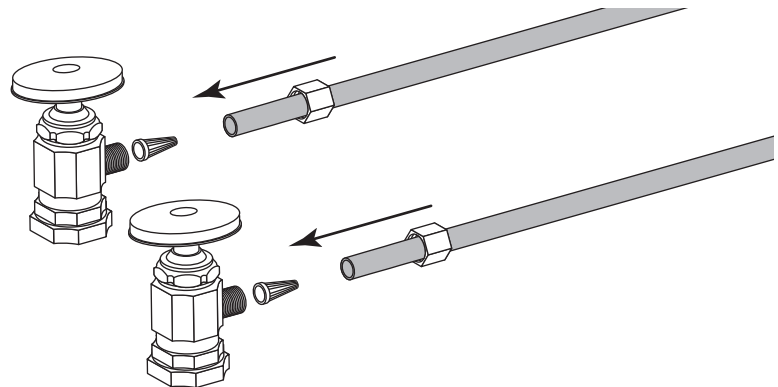
Figure 18. Install Top Extension



Connect the Shutoff Valves

1. Purge the air and water manual shutoff valves of debris.
2. Remove and discard the nuts from the manual shutoff valves. Discard the brass compression sleeves. Install a filter into both gray tubings and connect to the shutoff valves. Firmly tighten each nut on the end of the faucet supply lines (see Figure 19).
3. Cut both gray tubings 6" (152.4 mm) from the manual shutoff valves.
4. Remove the nuts from each of the air-actuated valves. Discard the brass compression sleeves if present and install the plastic compression sleeves.
5. Slide the nut and new plastic compression sleeve onto the newly cut gray tubing. Be sure the tapered end of the compression sleeve is pointed towards the end of the tubing.

Figure 19. Install the Tubing to the Manual Shutoff Valves



6. Install the two air-actuated valves (see Figure 20).



NOTE The air-actuated valves must be installed in the direction shown in Figure 20.

Complete the Tubing Connections

1. Connect the pilot air tubing (yellow with red dashes, 1/8" OD) from the foot-actuated kickplate valve under the sink to the tee in the pilot air tubing coming from the two water shutoff valves (see Figure 21).
2. Connect the master air tubing (yellow with red stripe, 1/8" OD) to the air shutoff valve (see Figure 21).
3. Connect the wash station drain to the office drain in accordance with prevailing local plumbing codes.

Reinstall the Doors, Drawers, False Bottoms, and Shelves

Reinstall the doors, drawers, false bottoms, and shelves to their original positions.



NOTE Some bottom drawer knobs are installed backwards so they are not damaged during shipping. Remove these knobs and reinstall them in the correct orientation.



NOTE Doors and drawers are individually adjusted for proper positioning when manufactured. You must return them to their original position or their fit and function may be compromised.

Figure 20. Install Air-Actuated Valves

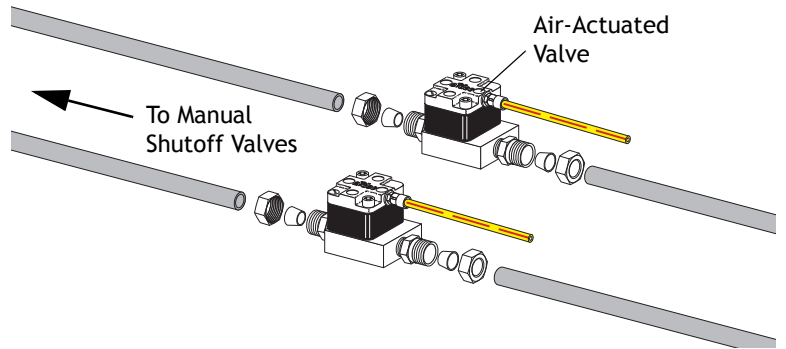
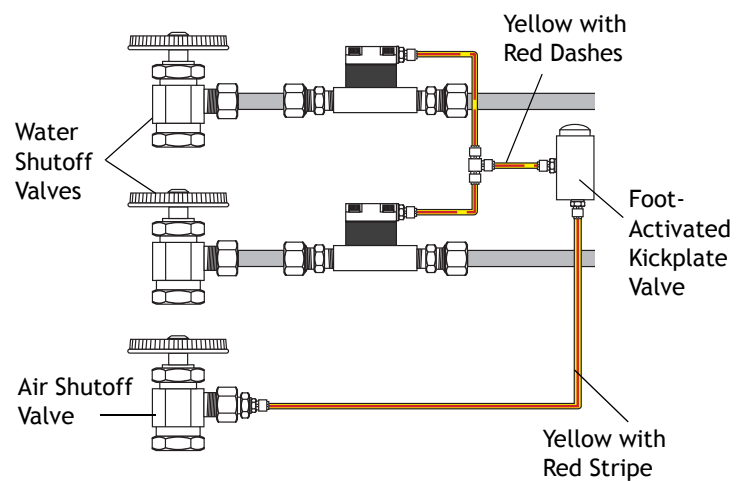


Figure 21. Connect Pilot and Master Air Tubing



Adjustments

Adjust the Drawer Fronts

1. To move the drawer front up, turn the screw in the hinge clamp clockwise (see Figure 22).
2. To move the drawer front down, open the hinge with a screw driver, turn the screw counterclockwise, and push the drawer front down (see Figure 23).
3. Close the clamp and turn the screw clockwise until the door front is in the desired position.

Figure 22. Adjust Drawer Front Up

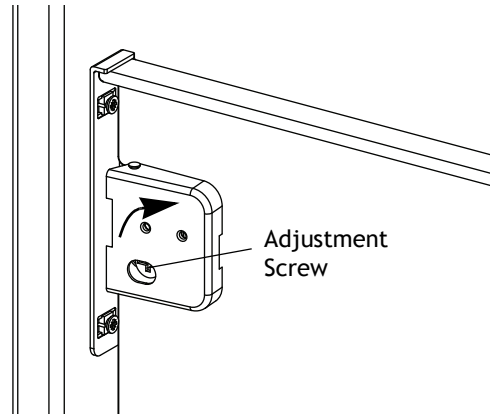
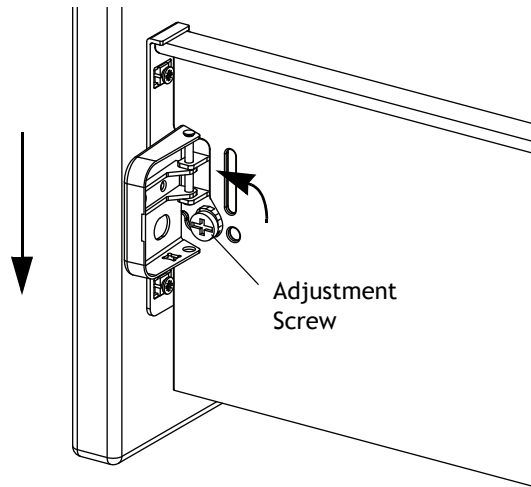


Figure 23. Adjust Drawer Front Down



Adjust the Bifold Door

The bifold doors can be adjusted for height, depth, and side-to-side alignment as needed (see Figure 24 and Figure 25).

1. Ensure equipment end is level and square.
2. If a drag point occurs at point A (see Figure 24), see "Side-to-Side Adjustment." Adjust the top two hinges to lift the door. If necessary, adjust the third and fourth hinges.
3. If a drag point occurs at point B (see Figure 24), see "Height Adjustment."

Depth Adjustment

Turn the depth adjustment screws on all hinges until the door is in the desired position (see Figure 25).

Height Adjustment

Loosen the height adjustment screws on all hinge mounting plates one-quarter turn. Move the door up or down to the desired position. Tighten the screws.

Side-to-Side Adjustment

Turn the side-to-side adjustment screw on all door hinges until the door is in the desired position.

Figure 24. Locate the Drag Points

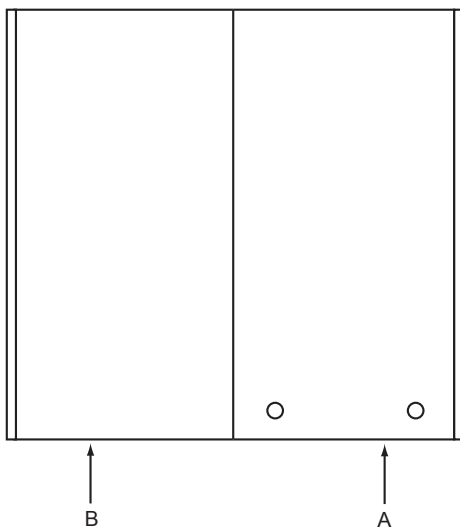
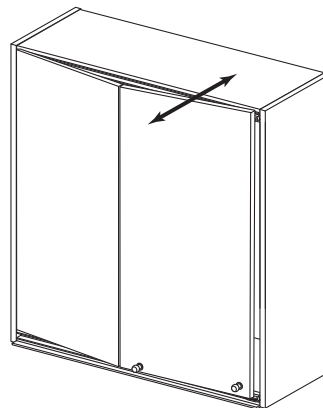
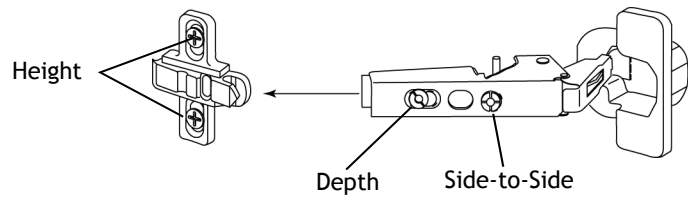
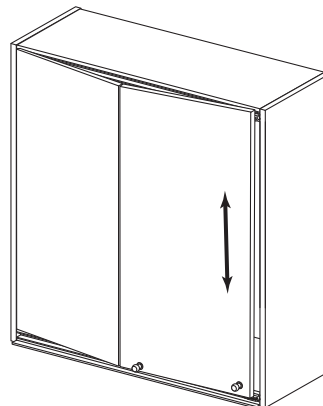


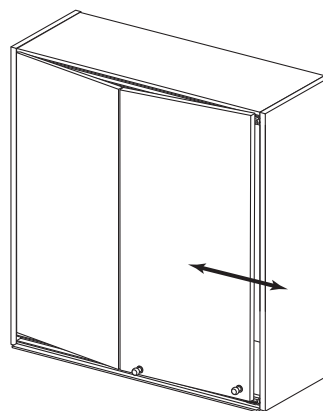
Figure 25. Adjust the X-Ray Bifold Doors



Depth



Height



Side-to-Side

Door Alignment

The console doors are adjustable for depth, height, and side-to-side alignment (see Figure 26 and Figure 27).



CAUTION To avoid stripping the screws, use a #2 POZI screwdriver when making adjustments to the door hinges.

Depth Adjustment

Turn the depth adjustment screw (see Figure 26) on both the upper and lower door hinges until the door is in the desired position.

Height Adjustment

Loosen the height adjustment screw (see Figure 26) one-quarter turn on both the upper and lower hinge mounting plate. Move the door up or down to the desired position. Tighten the screws.

Side-to-Side Adjustment

Turn the side-to-side adjustment screw on both the upper and lower door hinges (see Figure 26) until the door is in the desired position. The gap between the doors should be $5/32$ " (4 mm).

Figure 26. Door Adjustment Screws

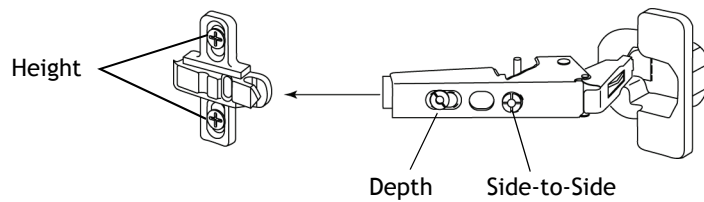
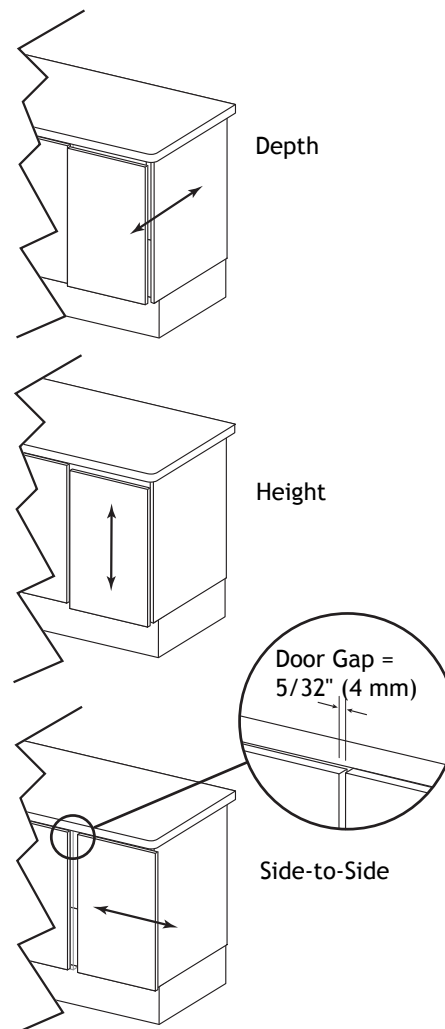


Figure 27. Door Adjustments



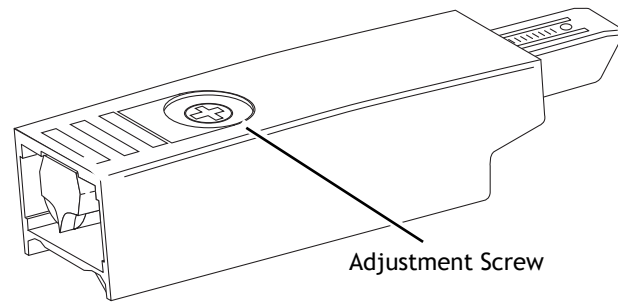
Soft Close Adjustment

The soft close mechanism can be adjusted. Turn the screw counterclockwise to further dampen the door closing.



NOTE The soft close device can be over extended causing it to stick. Turn the adjustment screw clockwise until the mechanism releases.

Figure 28. Soft Close Adjustment



Connect a Cabinet Mount USB Cable to a Computer



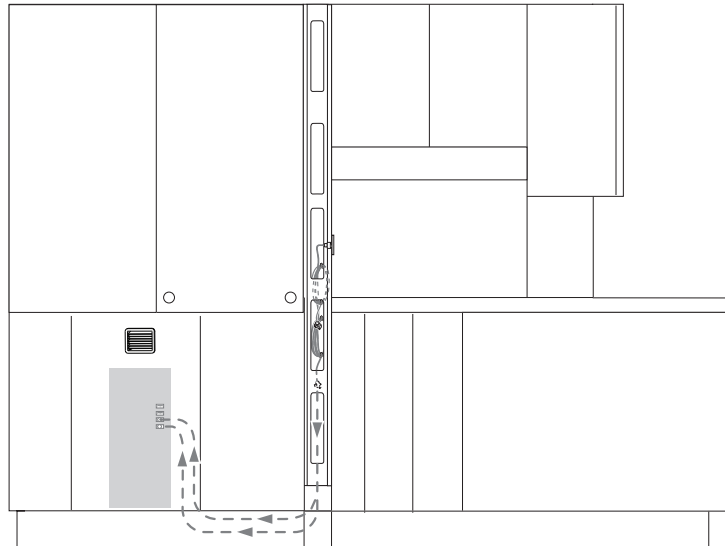
NOTE Some versions of this cabinet may not be fitted with USB functionality.

1. Remove the X-ray column cover by gripping the top edge and firmly pulling it straight out.
2. Locate the ends of the USB cables distributed from the USB panel.
3. Remove the ties from the USB cables.
4. Connect the USB cables to a computer or to a powered booster device.



NOTE The USB panel is not powered. 9' is the maximum cable length that can be plugged into the panel without a powered booster.

Figure 29. USB Installed on a 5543



Regulatory Information

Regulatory information is provided with A-dec equipment as mandated by agency requirements. This information is delivered in the equipment's *Instructions for Use* or the separate *Regulatory Information and Specifications* document. If you need this information, please go to the Document Library at www.a-dec.com.

A-dec® Headquarters

2601 Crestview Drive
Newberg, OR 97132 USA
Tel: 1.800.547.1883 Within USA/Canada
Tel: 1.503.538.7478 Outside USA/Canada
Fax: 1.503.538.0276
www.a-dec.com / www.a-dec.biz

A-dec Inc. makes no warranty of any kind with regard to the content in this document including, but not limited to, the implied warranties of merchantability and fitness for a particular purpose.



86.0135.00 Rev L
Copyright 2011 A-dec Inc.
All rights reserved.
IGunbw1