



# Footswitch

## INSTALLATION GUIDE

### Position the Chair

---

#### Recommended Tools

- 3/16" hex key
- Pliers

1. Raise the chair to the full base up position.



**DANGER** Failure to turn off the power before you begin this procedure can lead to electrical shock.

---



**WARNING** Failure to turn off the power before you begin this procedure can lead to product damage and result in serious injury or death.

---



**CAUTION** Circuit boards are sensitive to static electricity. Electrostatic Discharge (ESD) precautions are required when touching a circuit board or making connections to or from the circuit board. Circuit boards should be installed only by an electrician or qualified service person.

---



**CAUTION** When removing or replacing covers, take care not to damage any wiring. Verify that the covers are secure after replacing them.

---

2. Turn off the power to the chair.

**Next Step** Proceed to the section for your chair:

- “Cascade®, Decade®, Performer®, or A-dec 200” on page 2
- “A-dec 311 (Version A)” on page 2
- “A-dec 311 (Version B) or 411 Dental Chair” on page 3
- “A-dec 511 Dental Chair” on page 4

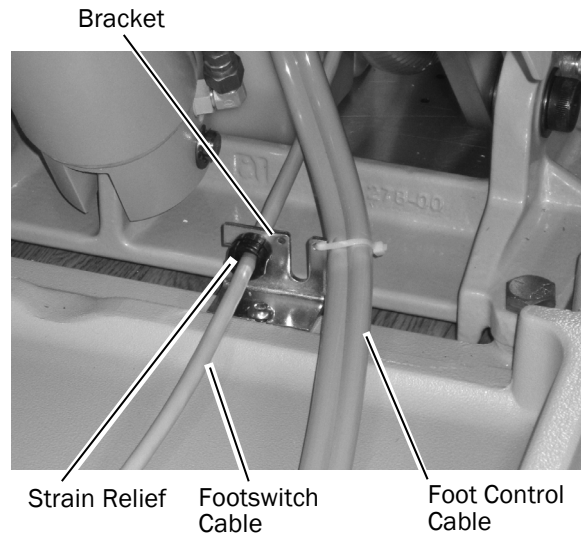
## Cascade®, Decade®, Performer®, or A-dec 200

- 1 From the rear of the chair, route the footswitch cable to the chair's circuit board and connect it to P1.
- 2 Install the strain relief and footswitch cable in the bracket.
- 3 Use a 3/16" hex key to secure the bracket.



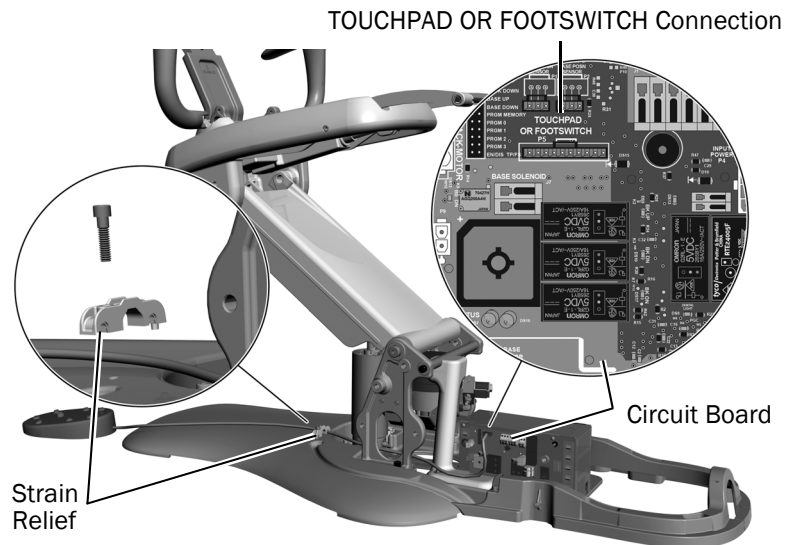
**NOTE** The bracket comes installed on the A-dec 200 chair.

- 4 Continue with "Manual Footswitch Controls" on page 5.



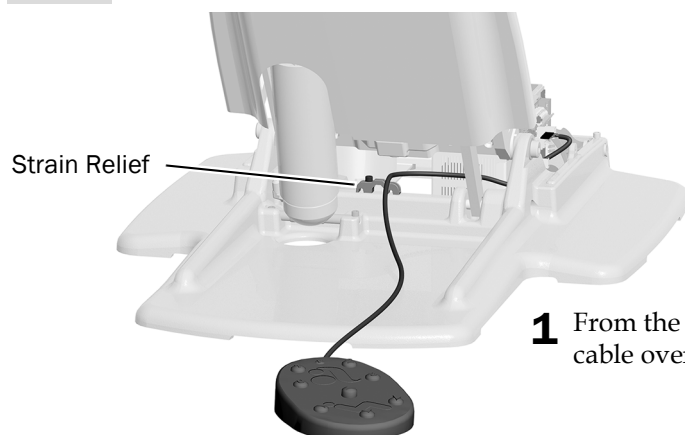
## A-dec 311 (Version A)

- 1 From the rear of the chair, route the footswitch cable to the chair's circuit board and connect it to the TOUCHPAD OR FOOTSWITCH P5 connector.
- 2 Use a 3/16" hex key to secure the footswitch cable in one of the side holes of the strain relief.
- 3 Continue with "Manual Footswitch Controls" on page 5.



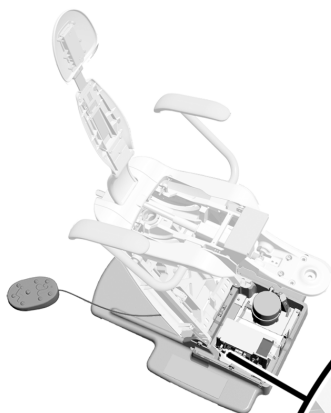
## A-dec 311 (Version B) or 411 Dental Chair

### Task 1.



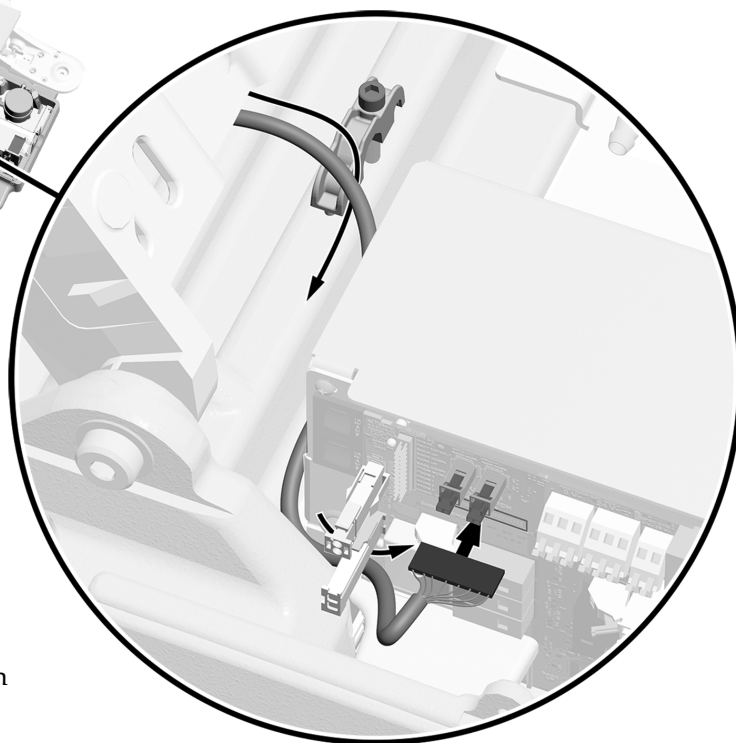
- 1 From the rear of the chair, route the footswitch cable over the strain relief.

### Task 2.



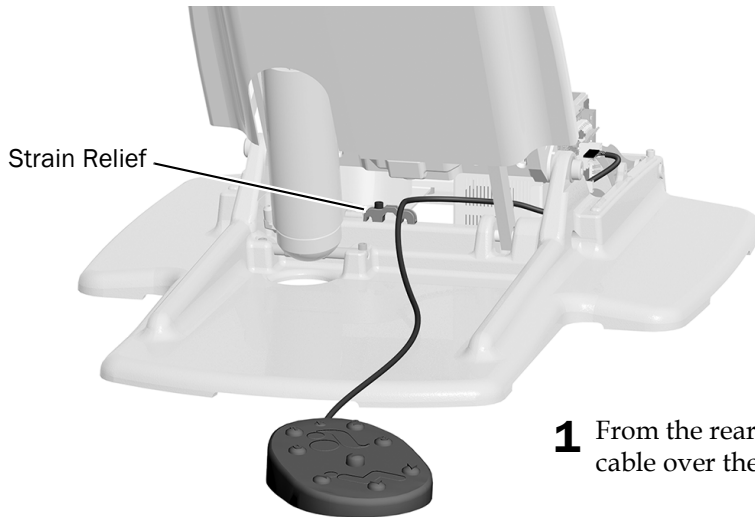
**CAUTION** Be sure the footswitch cable is under the white connectors to avoid potential water damage.

- 1 Route the footswitch cable along the side of the power supply and under the two white connectors.
- 2 Connect the footswitch cable to the "TOUCHPAD OR FOOTSWITCH P5" connector.
- 3 Use a 3/16" hex key to secure the footswitch cable under the strain relief.
- 4 Continue with "Manual Footswitch Controls" on page 5.



## A-dec 511 Dental Chair

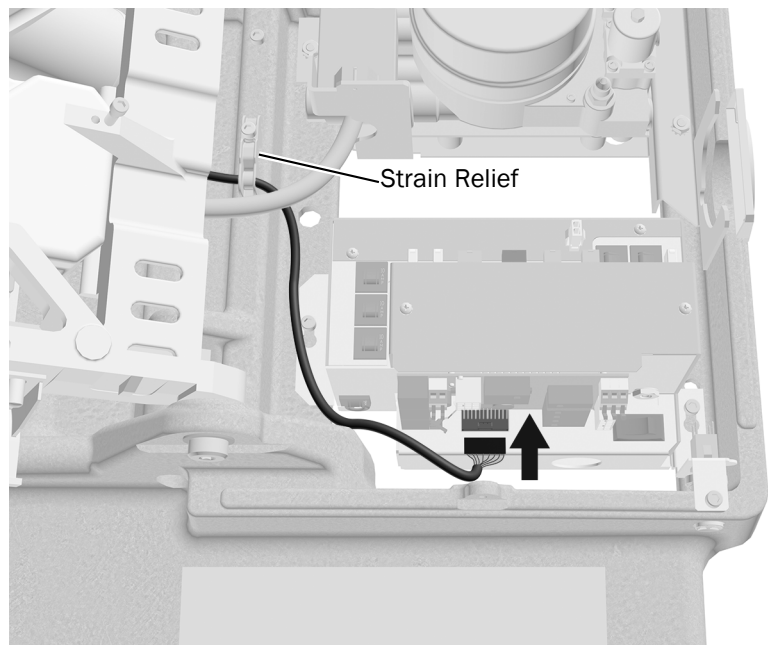
### Task 1.



- 1** From the rear of the chair, route the footswitch cable over the strain relief.

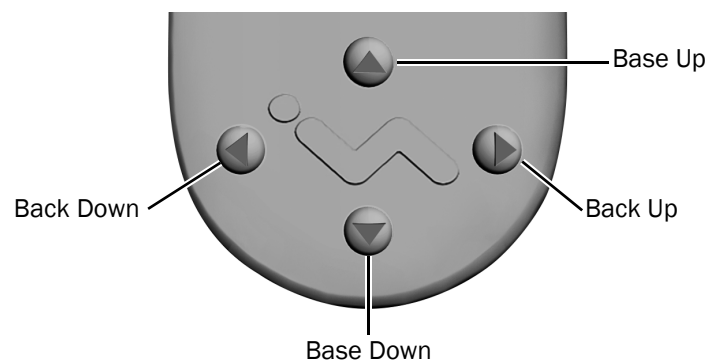
### Task 2.

- 1** Route the footswitch cable along the side of the power supply to the circuit board.
- 2** Connect the footswitch cable to the P5 connector located along the bottom edge of the circuit board.
- 3** Use a 3/16" hex key to secure the footswitch cable under the strain relief.



## Manual Footswitch Controls

Press and hold an arrow button until the chair is in the desired position. The horizontal arrows raise and lower the chair back. The vertical arrows raise and lower the chair base.

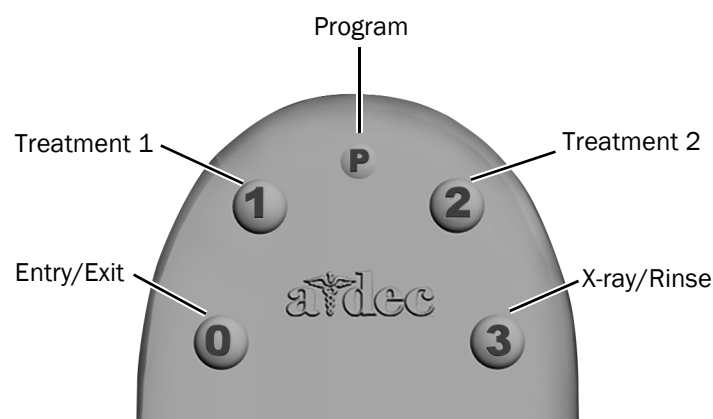


## Programmable Footswitch Controls

Press and release a programmable button to move the chair to a preset position. These buttons are programmed at the factory as follows:

**Table 1. Chair Preset Buttons**

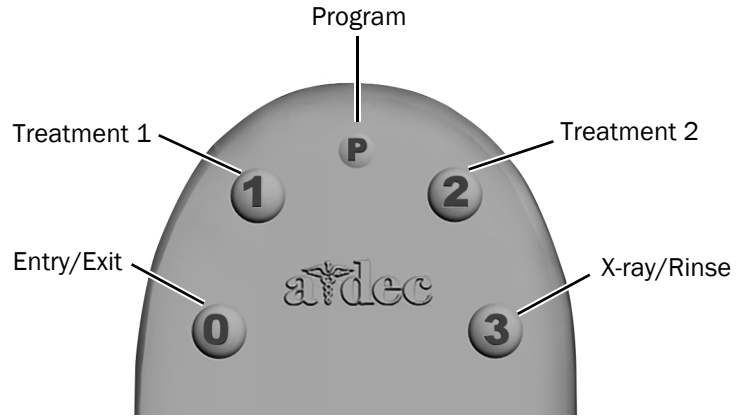
Button	Position	Factory Setting
0	Entry/Exit	Positions the chair for patient entry/exit; also turns the dental light off.
1	Treatment 1	Positions the chair base and back down; also turns the dental light on.
2	Treatment 2	Positions the chair base down and back up; also turns the dental light on.
3	X-ray/Rinse	Moves the chair to either x-ray or rinse position. Press again to move the chair to the previous position; also turns the dental light off or back on.



### Reprogram Buttons 0, 1, 2, or 3

To change the factory preset chair positions assigned to buttons 0, 1, 2, or 3:

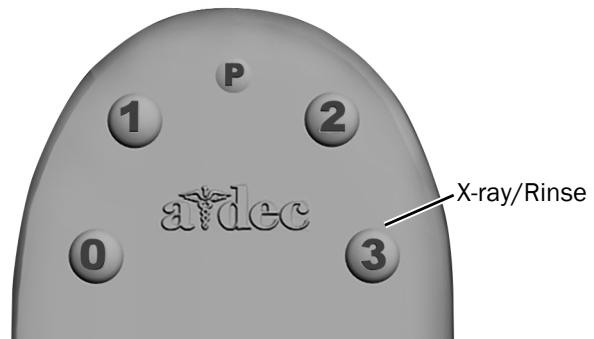
1. Use the manual controls to position the chair as desired.
2. Press and release **P**. One beep indicates that the programming mode is on.
3. Within five seconds, press the chair position button you wish to reprogram (for example, press **1**). Three beeps confirm that the new setting is programmed into memory.



### Button 3 Optional Functions - Cascade, Decade, Performer III, or A-dec 200

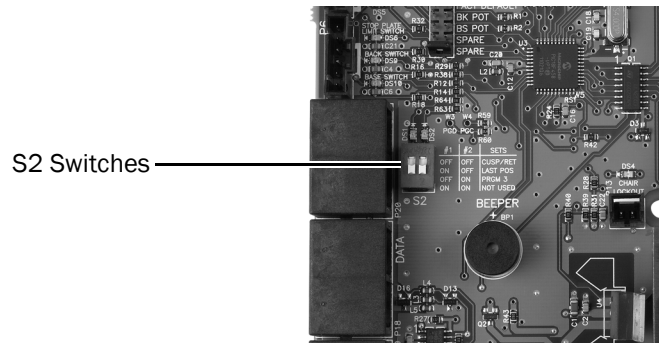
Button **3** (the x-ray/rinse button) is preset to move the chair and patient into an upright position for x-rays or cuspidor access. A second press of **3** returns the chair to the previous position.

Button **3** can also be set to perform one of two optional functions. Position the S2 switches on the chair circuit board, as indicated in Table 2, to select the desired function.



**Table 2. S2 Switches Functions for Button 3**

Mode	Switch 1	Switch 2	Function
1	OFF	OFF	Moves the chair to the cuspidor position. Returns the chair to the previous position.
2	ON	OFF	Returns the chair to the last position.
3	OFF	ON	The factory preset X-ray/Rinse position which can be reprogrammed to adjust the preset position.



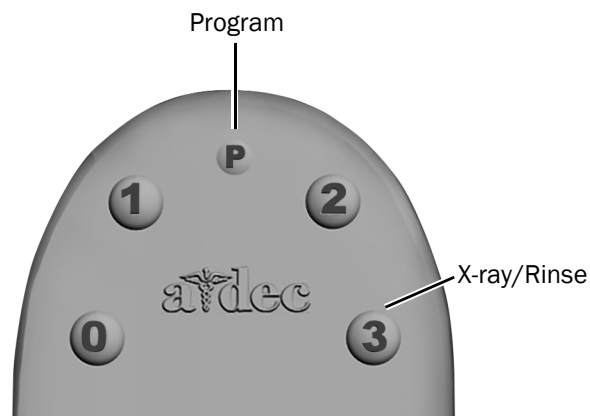
### Button 3 Optional Functions - A-dec 311, 411, or 511

The x-ray/rinse button (3) is preset to move the chair and patient into an upright position for x-rays or cuspidor access. A second press of (3) returns the chair to the previous position.

You can reprogram (3) to function in a similar way to the other programmable chair preset buttons. To change its function:

1. Press and hold (P) and (3) at the same time for three seconds.
  - One beep indicates (3) is set as another programmable chair preset button.
  - Three beeps confirm that (3) is configured as the x-ray/rinse factory preset (which toggles between the x-ray/rinse and the previous chair position).

If you reprogram (3) as another programmable button and want to assign a different chair position, follow the steps outlined in "Reprogram Buttons 0, 1, 2, or 3" on page 6.



## Test the System

---

1. Turn on the power to the chair.
2. Press each of the buttons on the footswitch and verify that the chair moves as expected.

## Regulatory Information

---

Regulatory information mandated by agency requirements is provided in the *Regulatory Information, Specifications, and Warranty* document (p/n 86.0221.00), which is available in the Document Library at [www.a-dec.com](http://www.a-dec.com).

### Product Models and Versions Covered in this Document

Models	Versions	Description
Cascade	A	Dental Chair
Decade	A	Dental Chair
Performer	A, B	Dental Chair
A-dec 200	A	Dental Chair
A-dec 311	A, B	Dental Chair
A-dec 411	A	Dental Chair
A-dec 511	A, B	Dental Chair



#### A-dec Headquarters

2601 Crestview Drive  
Newberg, OR 97132 USA  
Tel: 1.800.547.1883 Within USA/CAN  
Tel: +1.503.538.7478 Outside USA/CAN  
[www.a-dec.com](http://www.a-dec.com)

*A-dec Inc. makes no warranty of any kind with regard to the content in this document including, but not limited to, the implied warranties of merchantability and fitness for a particular purpose.*



86.0152.00 Rev G  
Date of Issue 2020-02-10  
Copyright 2020 A-dec Inc.  
All rights reserved.  
IGrphpor16