



# Preference Collection®

## 5731 Upper Storage Unit Insert

### INSTALLATION GUIDE



**WARNING** Failure to install the 5731 as described in this installation guide may cause the unit to collapse, resulting in serious injury to personnel.

## Recommended Tools

- Phillips head screwdriver
- Leveling device
- Power screwdriver with Phillips bit
- Drill and 7/32" drill bit
- Shim material
- #2 POZI driver for adjusting doors

## Before You Begin

- The storage unit must be installed according to prevailing building codes (see Figure 1 for placement recommendations). Check with local building and code authorities about installation requirements.
- For framing requirements and pre-installation instructions, refer to the *Dental Furniture Pre-Installation Guide* (p/n 86.0142.00) found in the Document Center on [www.a-dec.com](http://www.a-dec.com).
- Remove the doors from the storage unit, making sure to note the locations for reassembly. The doors are fitted with quick release hinges (see Figure 2).



Figure 1. Recommended Measurements for Unit Placement

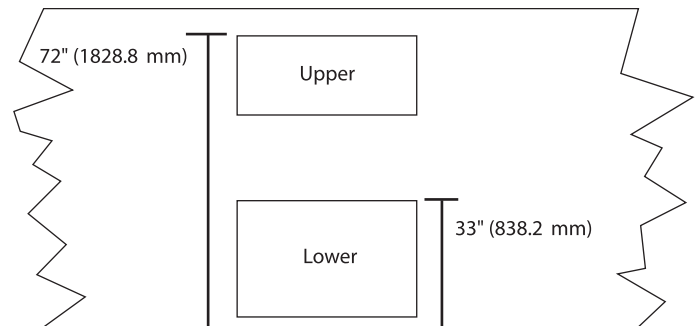
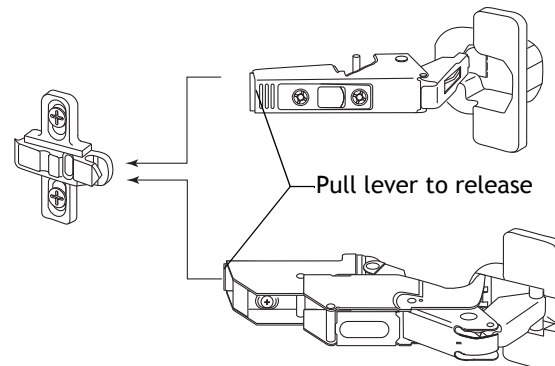


Figure 2. Quick Release Hinges



## Installation Steps

- Using a pencil, mark 2" (51 mm) from the top of the unit and the inside bottom of the unit where it will align to the stud locations when installed (see Figure 3). Drill a 7/32" (5.6 mm) diameter hole through the side panels at each location.



**NOTE** The unit will extend 1-1/2" (38.1 mm) into the hallway. The mounting hole locations must align with the stud locations.

- Slide the unit into the framed opening so that 1-1/2" (38.1 mm) extends into the hallway (see Figure 3 and Figure 4).
- Shim the unit so it is plumb and square.

- Install two #9 x 2-1/4" (57.2 mm) screws per side, through the shims and into the wall studs.

If the upper pass-through storage unit is being installed in an oversize wood stud framed opening, install two #10 x 3" (76.2 mm) fasteners per side, through the shims and into the wall studs.

- Cover the screw heads with the caps provided.

Figure 3. Side View of Installed Unit

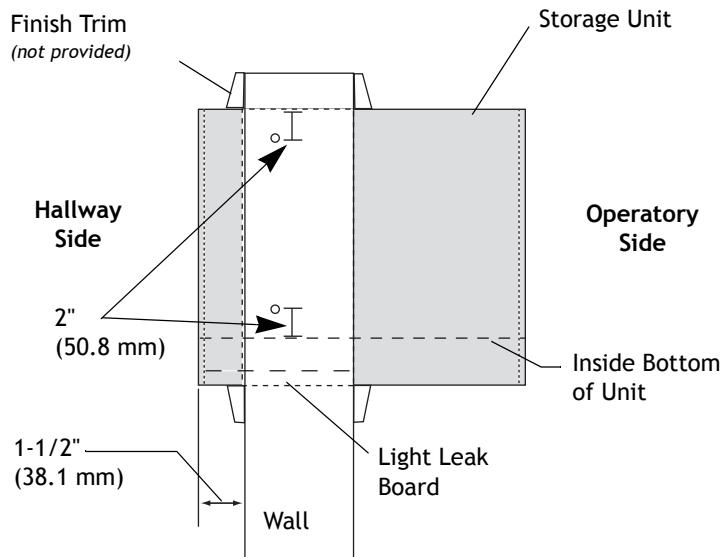


Figure 4. Slide Unit Into Frame

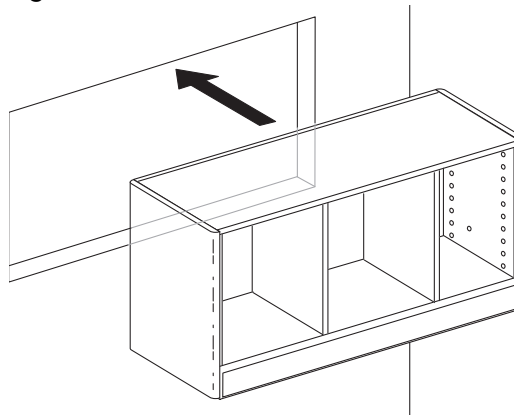
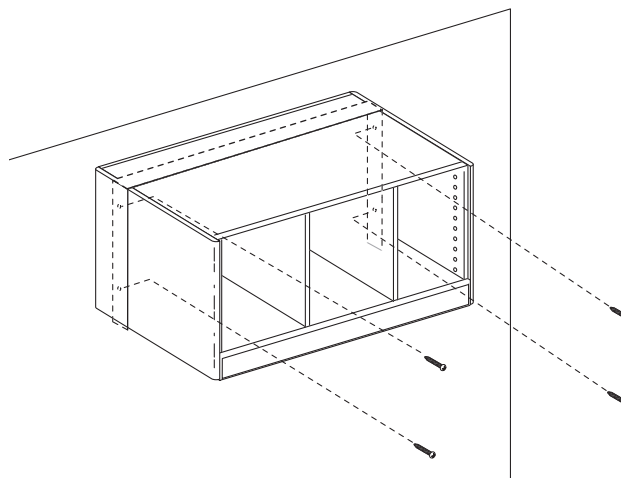


Figure 5. Screw Locations

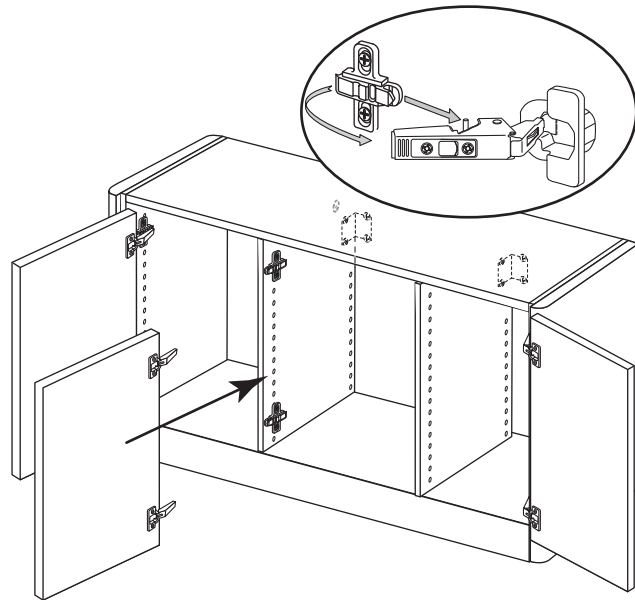


6. Reinstall the doors.



**NOTE** Doors are individually adjusted for proper positioning when manufactured. You must return them to their original position or their fit and function may be compromised.

Figure 6. Reinstalling the Doors



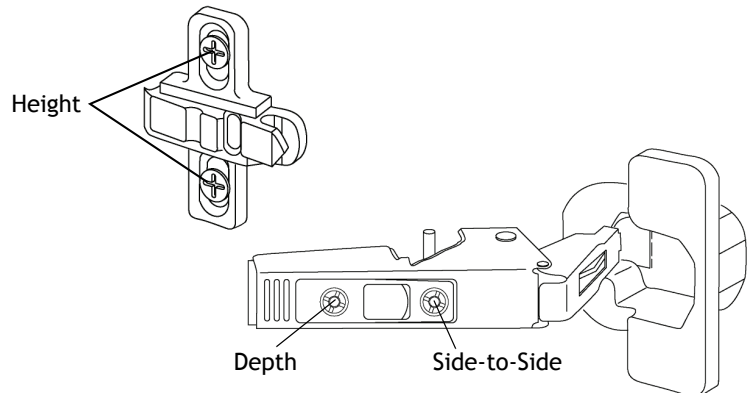
## Adjusting the Doors

The console doors are adjustable for depth, height, and side-to-side alignment (see Figure 7 and Figure 8 on page 4).



**CAUTION** To avoid stripping the screws, use a #2 POZI screwdriver when making adjustments to the door hinges.

Figure 7. Door Adjustment Screws



### Depth Adjustment

Turn the depth adjustment screw on both the upper and lower door hinges until the door is in the desired position. See Figure 8 on page 4.

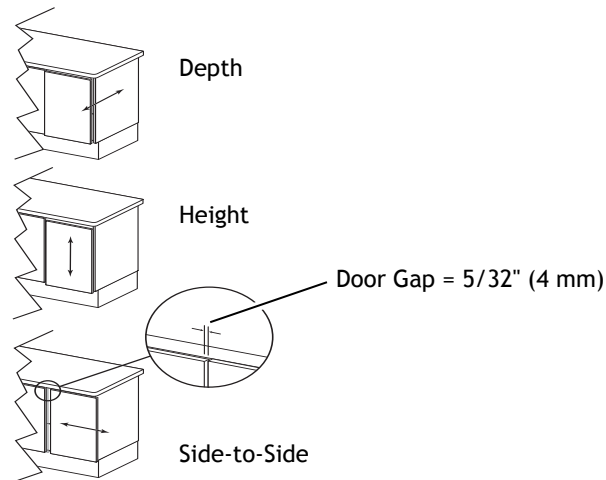
## Height Adjustment

Loosen the height adjustment screw one-quarter turn on both the upper and lower hinge mounting plate. Move the door up or down to the desired position, then tighten the screws.

## Side-to-Side Adjustment

Turn side-to-side adjustment screw on both the upper and lower door hinges until the door is in the desired position. The gap between the doors should be  $5/32$ " (4 mm).

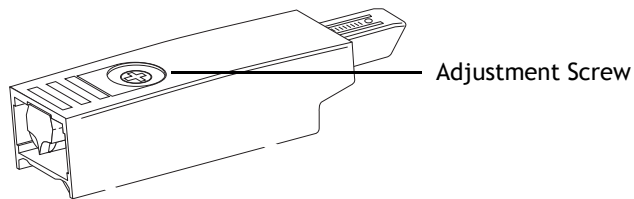
Figure 8. Door Adjustments



## Soft Close Adjustment

The soft close mechanism can be adjusted. Turn the screw counterclockwise to further dampen the door closing.

Figure 9. Soft Close Adjustment



**NOTE** The soft close device can be over extended causing it to stick. Turn the adjustment screw clockwise until the mechanism releases.

## Regulatory Information

Regulatory information is provided with A-dec equipment as mandated by agency requirements. This information is delivered in the equipment's *Instructions for Use* or the separate *Regulatory Information and Specifications* document. If you need this information, please go to the Document Library at [www.a-dec.com](http://www.a-dec.com).

### A-dec® Headquarters

2601 Crestview Drive  
Newberg, OR 97132 USA  
Tel: 1.800.547.1883 Within USA/Canada  
Tel: 1.503.538.7478 Outside USA/Canada  
Fax: 1.503.538.0276  
[www.a-dec.com](http://www.a-dec.com) / [www.a-dec.biz](http://www.a-dec.biz)

*A-dec Inc. makes no warranty of any kind with regard to the content in this document including, but not limited to, the implied warranties of merchantability and fitness for a particular purpose.*

