



A-dec Dental Lights on an A-dec 300 Base Mount Post

INSTALLATION GUIDE



Before You Begin

Turn off the power to the system before you begin the installation.



DANGER Failure to turn off the power before you begin this procedure can lead to electrical shock.



WARNING Failure to turn off the power before you begin this procedure can lead to product damage and result in serious injury or death.



CAUTION The circuit board is static sensitive. ESD precautions are required. The circuit board should be installed by an electrician or qualified service personnel.



CAUTION When removing or replacing covers, take care not to damage any wiring or tubing. Verify that the covers are secure after replacing them.

Install the Dental Light

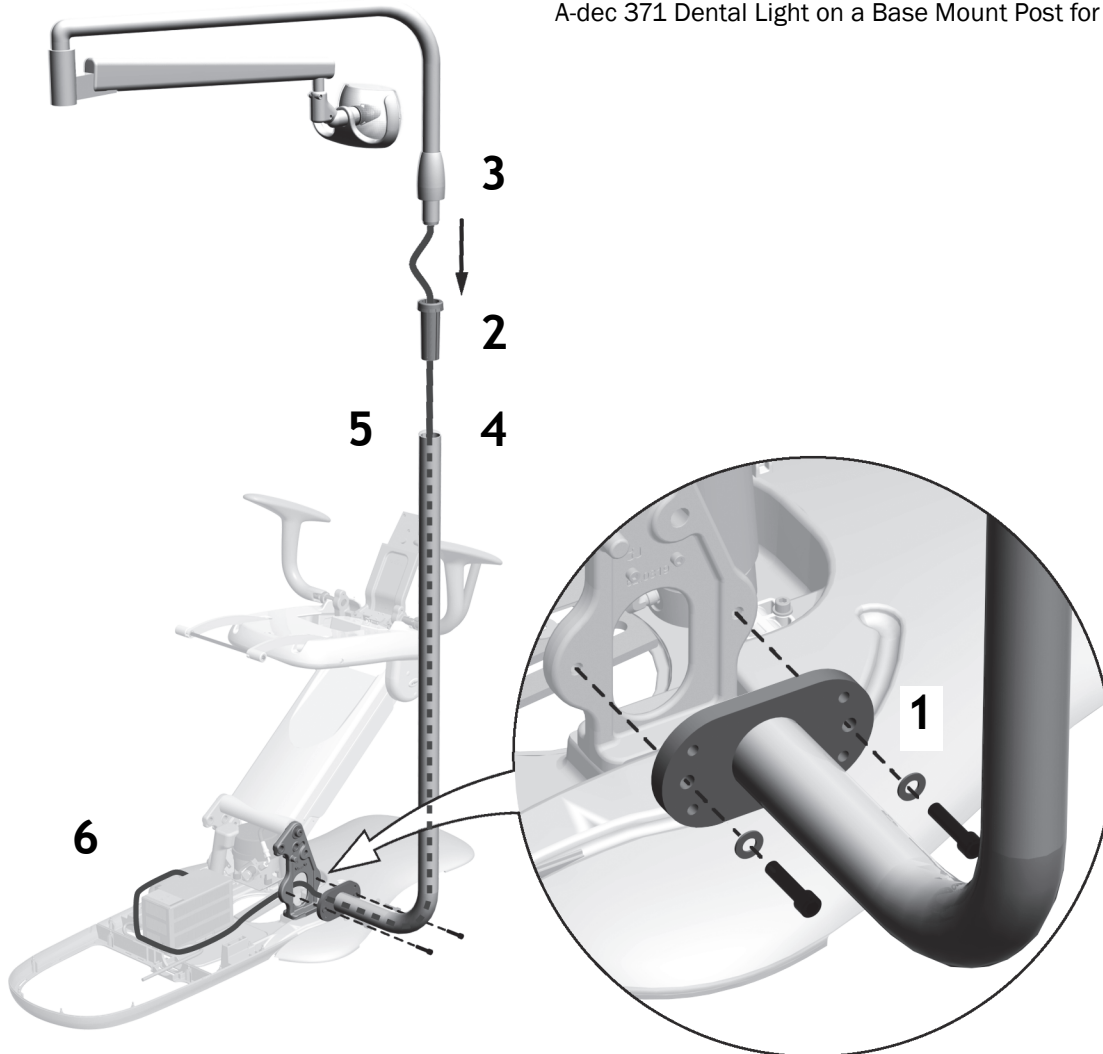
Recommended Tool

5/16" hex key

Install the Dental Light Components

1. Use two washers and bolts to attach the post to the chair base.
2. Insert the bearing into the post.
3. Place the trim cover on the light rigid arm.
4. Route the light cable through the post.
5. Insert the light into the post until it's fully seated.
6. Finish routing the cable through the floor box around to the front of the power supply.
7. Slide the trim cover down.

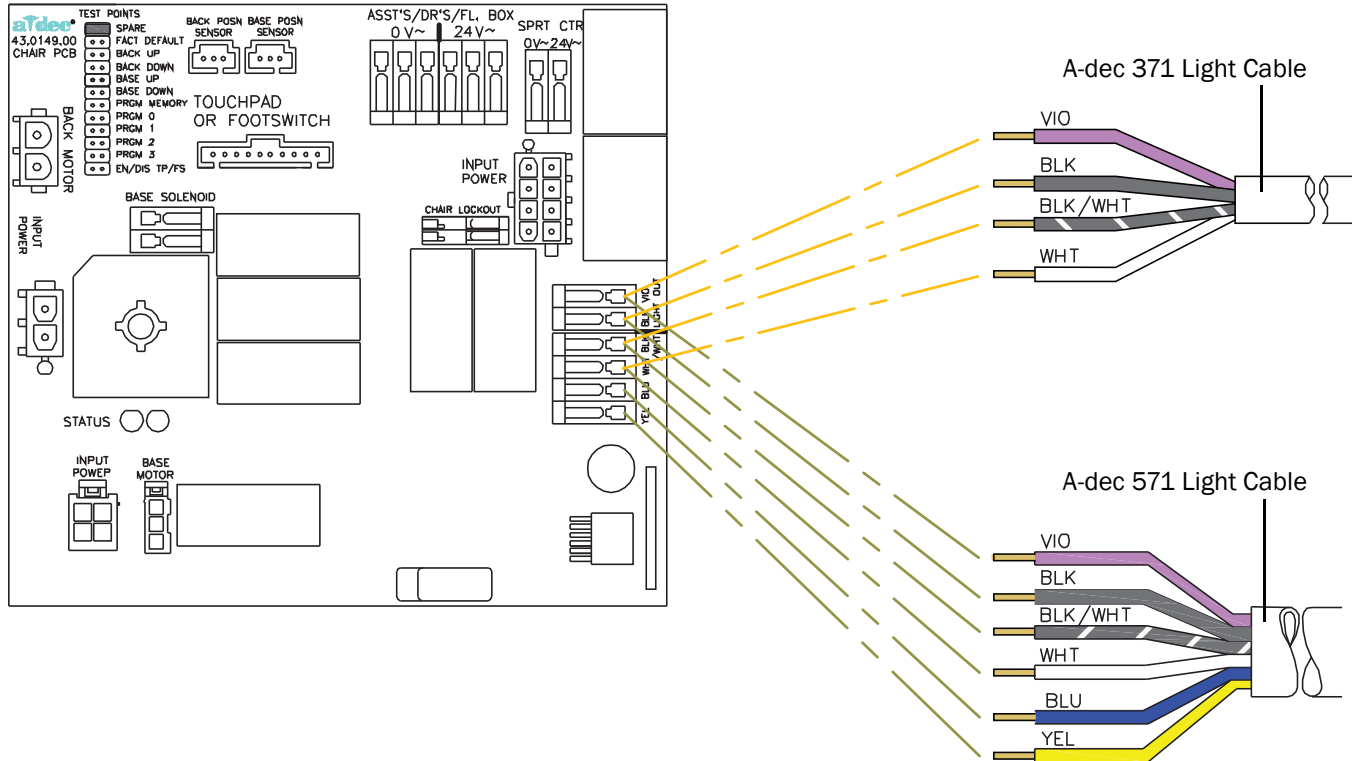
A-dec 371 Dental Light on a Base Mount Post for an A-dec 311



Route and Connect the Light Cables

A-dec 371 and 571

Attach the wires for the system's type of light to their corresponding connections on the chair circuit board.



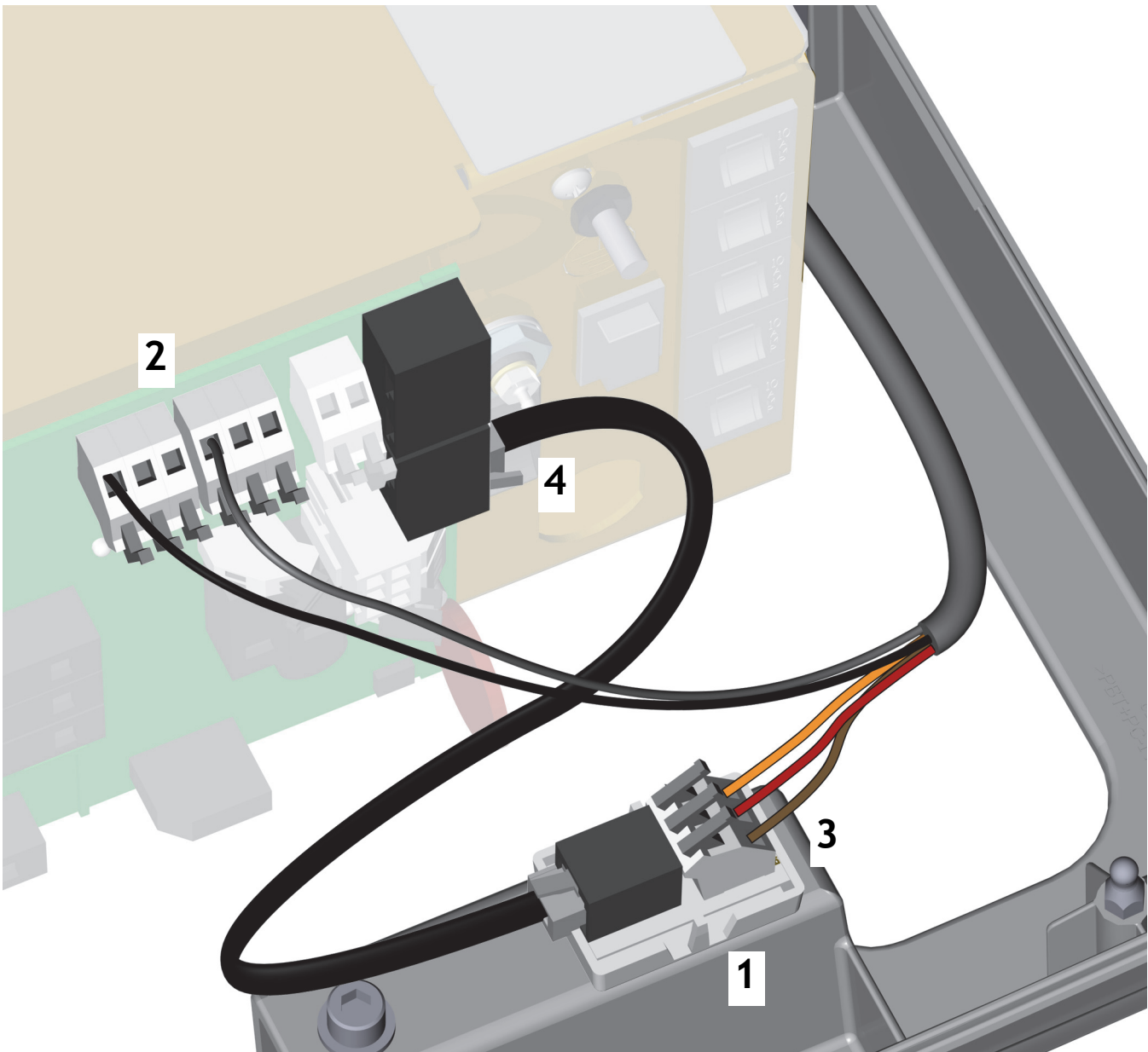
A-dec 571L

1. Peel off the protective paper from the adaptor board. Attach the adaptor board to the floor box cover frame.



CAUTION Do not attach the adaptor board to the top of the power supply chassis. The power supply cover will not fit.

2. Connect the black wire to 0V. Connect the gray wire to 24V.
3. Connect the wires to the positions on the adapter board as labeled; brown to BRN, red to RED, and orange to ORN.
4. Connect the data line jumper from the adaptor board to a data port.



Install A-dec Monitor Mounts



NOTE The A-dec base mount post supports several A-dec monitor mounts. See the installation guide that shipped with the monitor mount for installation instructions.

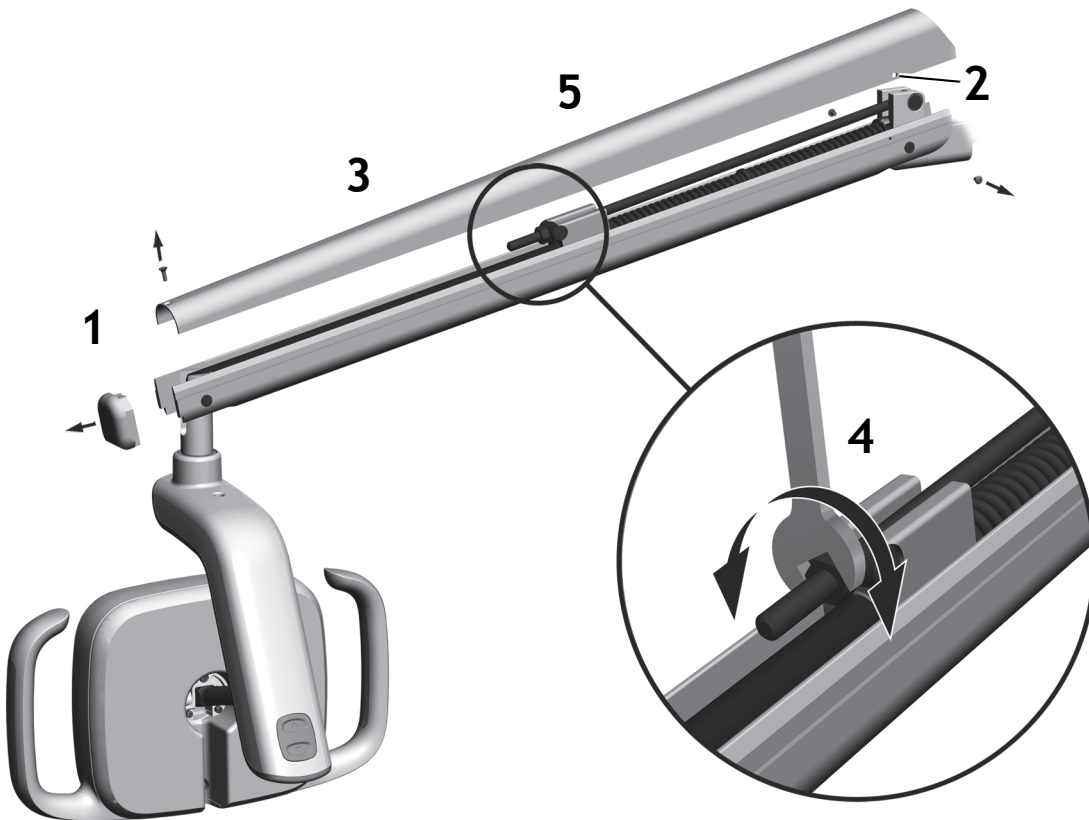
Prepare and Adjust the Light

Adjust the Dental Light Flexarm Counterbalance

Recommended Tools

- Phillips head screwdriver
- 5/64" hex key
- 1/2" combination wrench

1. Remove the end cap.
2. Remove the two screws that secure the cover.
3. Remove the cover.
4. Adjust the nut on the end of the spring.
If the dental light drifts up, turn the nut counterclockwise.
If the dental light drifts down, turn the nut clockwise.
5. Set the cover back onto the flexarm (but do not reattach it yet). Check for drift.
6. Repeat steps 4 and 5 until drift is eliminated.



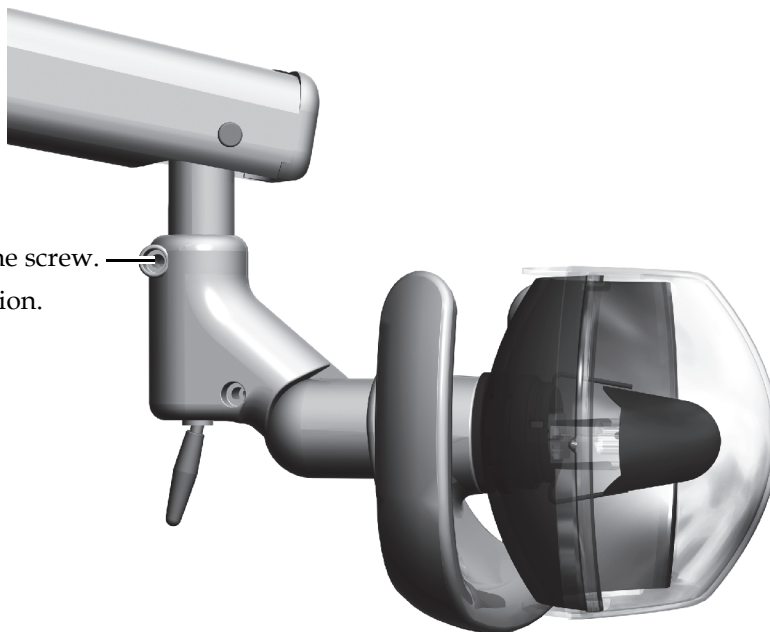
NOTE An optional travel stop limit kit (p/n 90.1044.00) can be installed to limit the upward and downward motion of the flexarm.

Adjust the A-dec 371 Dental Light Horizontal Rotation

Recommended Tool

5/32" hex key

- 1 To adjust the tension, turn the screw.
Clockwise increases the tension.

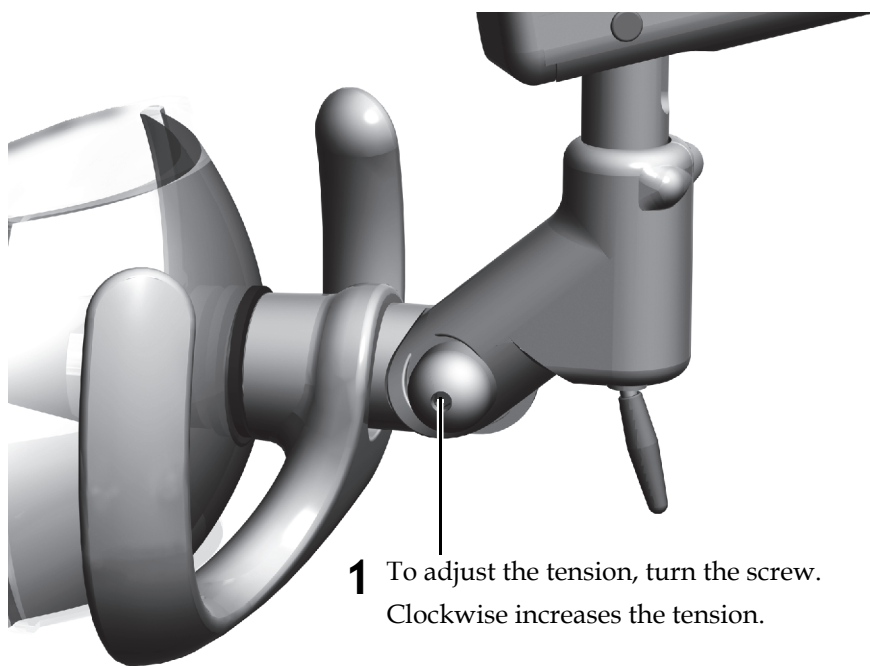


Adjust the A-dec 371 Dental Light Vertical Rotation

Recommended Tool

3/16" hex key

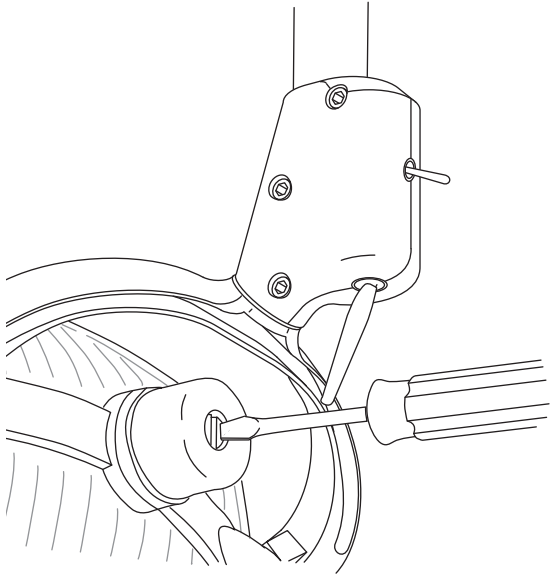
- 1 To adjust the tension, turn the screw.
Clockwise increases the tension.



Adjust the A-dec 571 Dental Light Focus

Recommended Tool

Standard screwdriver

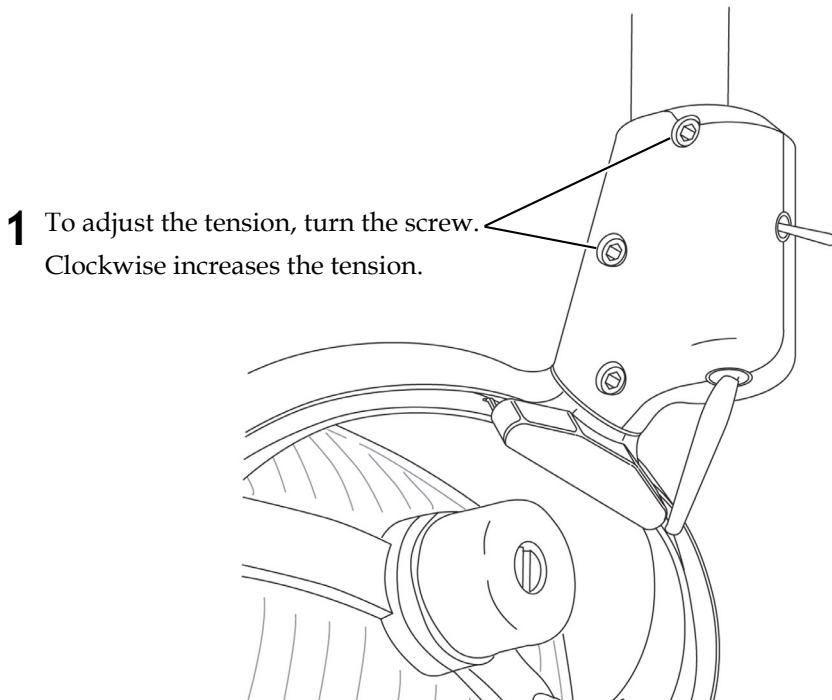


- 1** Position the light head for normal use.
- 2** Turn on the light.
- 3** Adjust the screw until the light is a 2-3" (50-75 mm) narrow band with feathered edges.

Adjust the A-dec 571 Dental Light Horizontal Rotation

Recommended Tool

5/32" hex key



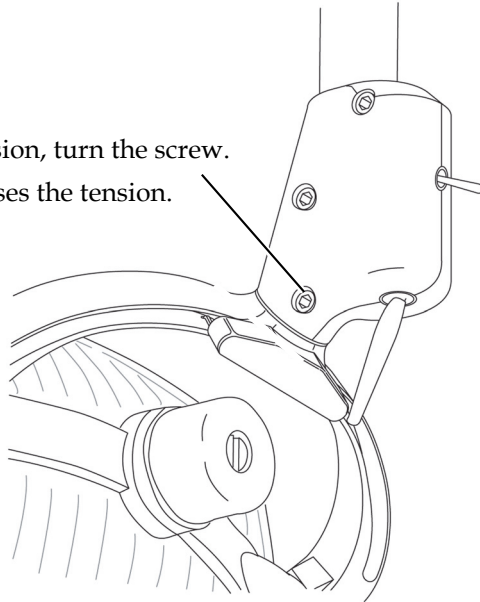
- 1** To adjust the tension, turn the screw.
Clockwise increases the tension.

Adjust the A-dec 571 Dental Light Diagonal Rotation

Recommended Tool

5/32" hex key

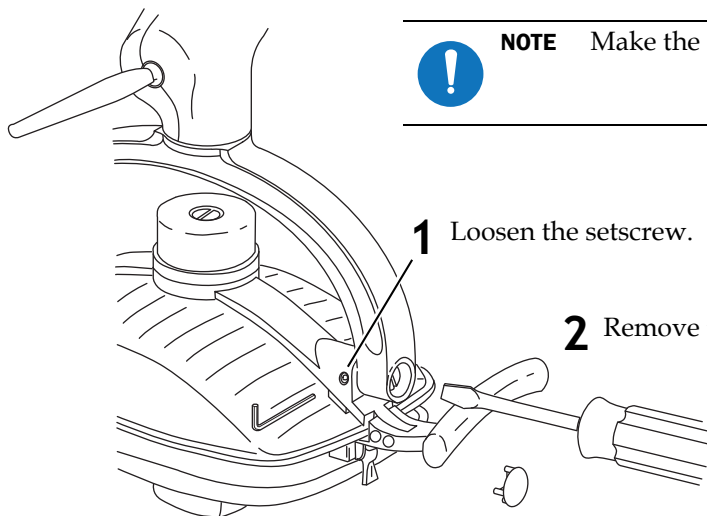
- 1 To adjust the tension, turn the screw.
Clockwise increases the tension.



Adjust the A-dec 571 Dental Light Vertical Rotation

Recommended Tools

- 5/64" hex key
- Standard screwdriver



NOTE Make the adjustment to only one side of the light head.

- 1 Loosen the setscrew.

- 2 Remove the light yoke plug.

- 3 To adjust the tension, turn the screw.
Clockwise increases the tension.

Adjust the A-dec 571L Rotation Tension

Recommended Tool

7/64" hex key

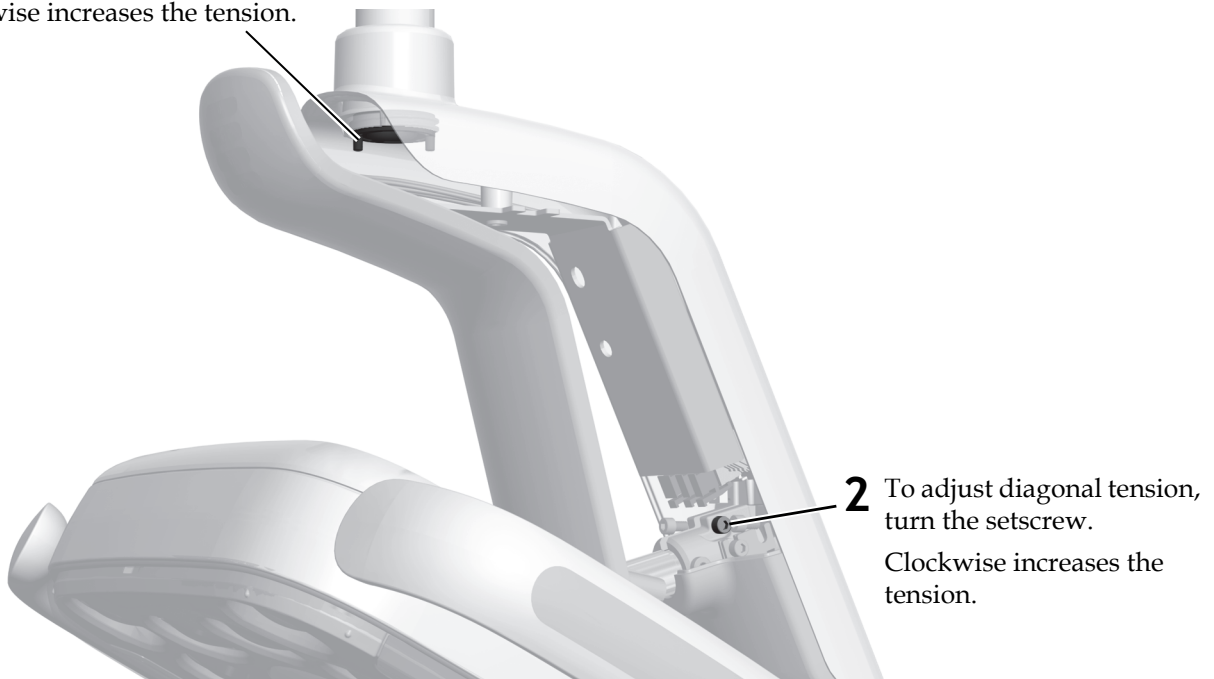
Adjust the Horizontal and Diagonal Tension

Task 1.



Task 2.

- 1 To adjust horizontal tension, rotate the friction adjustment.
Clockwise increases the tension.



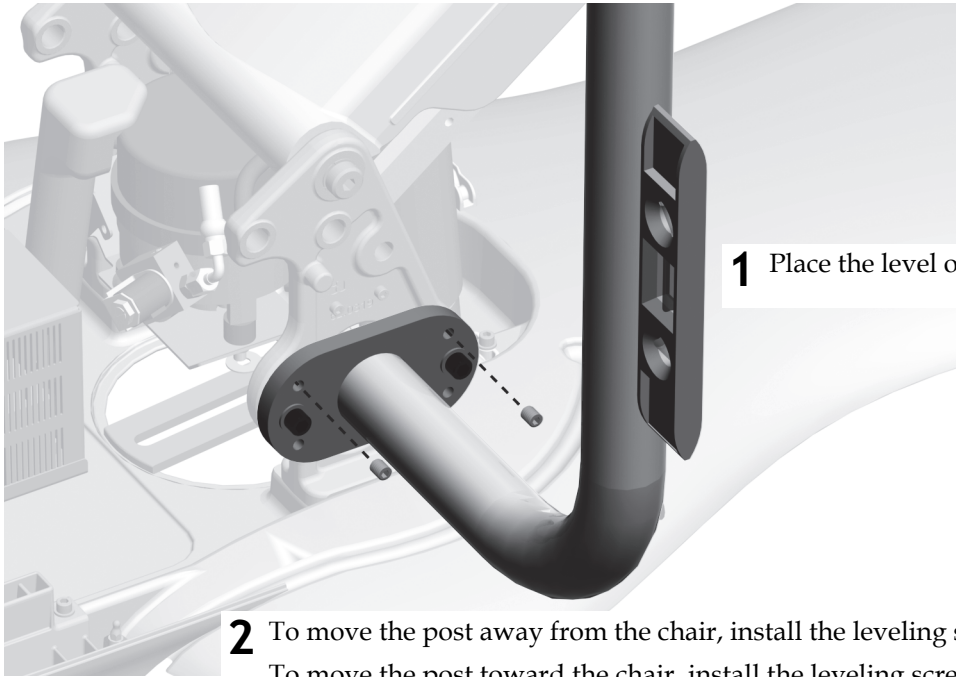
Adjust the Vertical Tension



Level the Light

Recommended Tools

- 3/16" hex key
- Level



1 Place the level on the post away from the chair.

2 To move the post away from the chair, install the leveling screws in the top holes.
To move the post toward the chair, install the leveling screws in the bottom holes.

Touchpad Dental Light Functions

Standard Touchpad



- 1 Turn on the power to the system.
- 2 To verify the light turns on and toggles between intensity modes, repeatedly press and release . To turn off the light, press and hold the button.



NOTE When the light is in the composite (or cure-safe) mode, the light indicator on the touchpad flashes.

- 3 To disable the auto on/off feature, press and hold and (or and on the A-dec 300 deluxe touchpad) at the same time for three seconds. One beep indicates that the auto on/off function is off. To re-enable, repeat this step. Three beeps indicate that the auto on/off feature is activated.

A-dec 300 Deluxe Touchpad



A-dec 500 Deluxe Touchpad



Test the System

- All light intensity settings work properly (two settings for the A-dec 371, three for the A-dec 571, and four settings for the A-dec 571L).
- A-dec 371 and A-dec 571 include a spare bulb (A-dec p/n 041.709.00).
- Dental light flexarm and head tension are properly adjusted.

Regulatory Information

Regulatory information is provided with A-dec equipment as mandated by agency requirements. This information is delivered in the equipment's *Instructions for Use* or the separate *Regulatory Information and Specifications* document. If you need this information, please go to the Document Library at www.a-dec.com.

A-dec Headquarters
2601 Crestview Drive
Newberg, OR 97132 USA
Tel:1.800.547.1883 Within USA/Canada
Tel:1.503.538.7478 Outside USA/Canada
Fax:1.503.538.0276
www.a-dec.com / www.a-dec.biz

A-dec Inc. makes no warranty of any kind with regard to the content in this document including, but not limited to, the implied warranties of merchantability and fitness for a particular purpose.



86.0322.00 Rev D
Copyright 2014 A-dec Inc.
All rights reserved.
IGgphpor9