



# A-dec® 570L Dental Light on DCS System

## INSTALLATION GUIDE

### Contents

- Choose an Installation Guide 2
- Before You Begin ..... 3
- Disconnect the Light Cable . 3
- Cut the Light Cable ..... 11
- Place the Flexarm Block ... 12
- Uninstall an A-dec 300 Light Head (2 Axis) ..... 13
- Uninstall an A-dec 500 or 6300 Light Head (3 Axis) ..... 14
- Remove the Flexarm Block . 16
- Remove the Light Cable ... 16
- Install the LED Light Cable . 18
- Install the Light Head ..... 30
- Connect the Electrical Wires and Data Line ..... 37
- Test the Light ..... 56
- Prepare and Adjust the Light 60
- Regulatory Information and Warranty .....64







### Product Models and Versions Covered in This Document

Models	Versions	Description
570L	A	Dental Light

## Choose an Installation Guide

The manual used to install the light depends on whether the system has a Data Communication System (DCS). Use the following table to determine which installation guide to use per system.

To Replace This Light	Model Number	Date of Manufacture	Use This Installation Guide
	<ul style="list-style-type: none"> <li>A-dec 371</li> </ul>	December 2008 until July 2010	<p><b>Note.</b> Flexarms on these systems are not compatible with the LED light. To install a flexarm that is compatible with the LED light, order p/n 28.1849.00.</p> <p><i>A-dec 570L Dental Light on DCS System.</i></p>
	<ul style="list-style-type: none"> <li>A-dec 371</li> <li>A-dec 372</li> </ul>	All models after June 2010	<i>A-dec 570L Dental Light on DCS System.</i>
	<ul style="list-style-type: none"> <li>A-dec 571</li> <li>A-dec 572</li> </ul>	All models	<i>A-dec 570L Dental Light on DCS System.</i>
	<ul style="list-style-type: none"> <li>A-dec 6300 mounted on a wall, cabinet, ceiling, or track</li> </ul>	After March 2004	<i>A-dec 570L Dental Light on DCS System.</i>
		May 1993 until March 2004	<i>A-dec 570L Dental Light on Non-DCS System (p/n 86.0350.00).</i>
		Prior to 1993	These systems are not compatible with the LED light.
	<ul style="list-style-type: none"> <li>A-dec 6300 Post Mount</li> </ul>	After May 1993	<i>A-dec 570L Dental Light on Non-DCS System.</i>
		Prior to May 1993	These systems are not compatible with the LED light.
	<ul style="list-style-type: none"> <li>A-dec 6300 Radius</li> </ul>	All models	<i>A-dec 570L Dental Light on Non-DCS System.</i>
	<ul style="list-style-type: none"> <li>A-dec 6300 Unit Mount</li> </ul>	All models	<i>A-dec 570L Dental Light on Non-DCS System.</i>
<ul style="list-style-type: none"> <li>A-dec Simulator</li> </ul>	All models	For instructions for how to install an A-dec 570L on an A-dec simulator, contact A-dec customer service.	

# Before You Begin

---

## Recommended Tools

- Hex key set
- Phillips head screwdriver
- Masking tape
- Diagonal cutters
- Needle-nose pliers
- Cable snake
- Standard screwdriver
- 1/2" combination wrench
- Anti-static wrist strap

## Important Information



**WARNING** Failure to turn off or disconnect the power before you begin this procedure can lead to product damage and result in serious injury or death.



**ATTENTION** Circuit boards are sensitive to static electricity. Electrostatic Discharge (ESD) precautions are required when touching a circuit board or making connections to or from the circuit board. Circuit boards should be installed only by an electrician or qualified service person.



**WARNING** Shock hazard. When you remove or replace the covers, take care not to damage any wiring or tubing. Verify that the covers are secure after you replace them.

1. Turn off the power to the system before you begin these procedures.

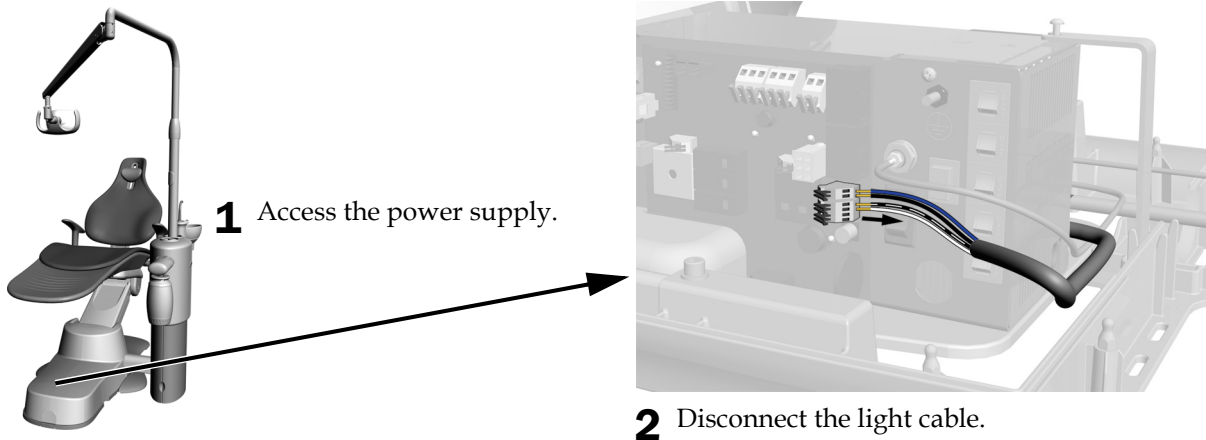
## Disconnect the Light Cable

---

See the section for the disconnection instructions for the system's configuration.

<b>A-dec 311 Chair</b> .....	<b>4</b>
<b>A-dec 511 Chair</b> .....	<b>4</b>
<b>A-dec 200 Chair</b> .....	<b>5</b>
<b>Decade®/Cascade®/Performer®/Priority Chair</b> .....	<b>6</b>
<b>Wall/Cabinet Mount</b> .....	<b>7</b>
<b>Ceiling Mount Light</b> .....	<b>8</b>
<b>Track Mount Light</b> .....	<b>9</b>

## A-dec 311 Chair

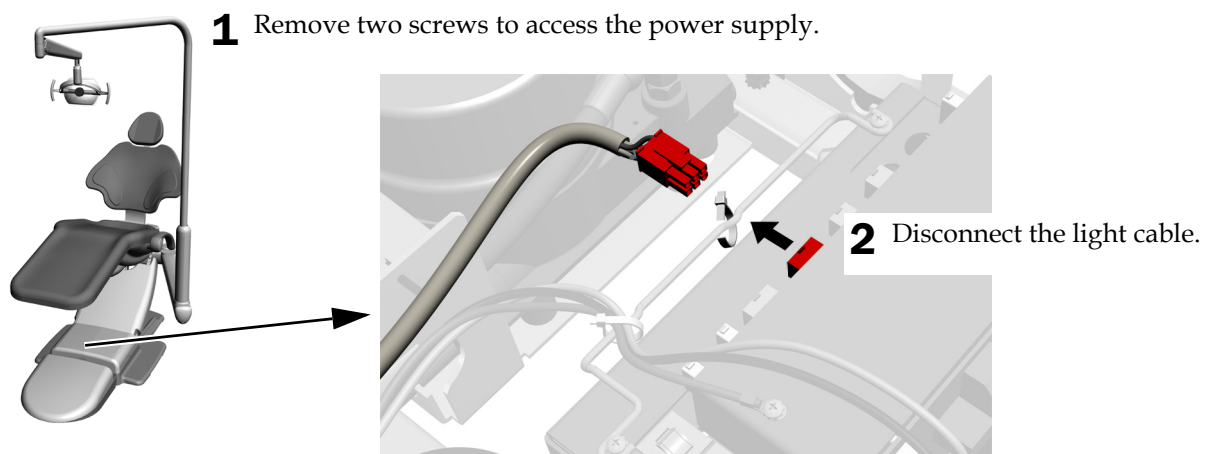


**Next Step** See "Cut the Light Cable" on page 11.

## A-dec 511 Chair

### Recommended Tool

- 3/16" hex key



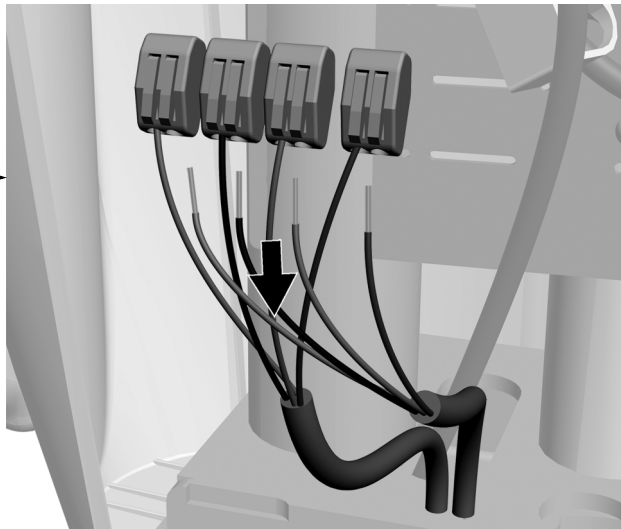
**Next Step** See "Cut the Light Cable" on page 11.



## A-dec 200 Chair



**1** Loosen the four thumbscrews to access the power connections.



**2** Disconnect the light cable.

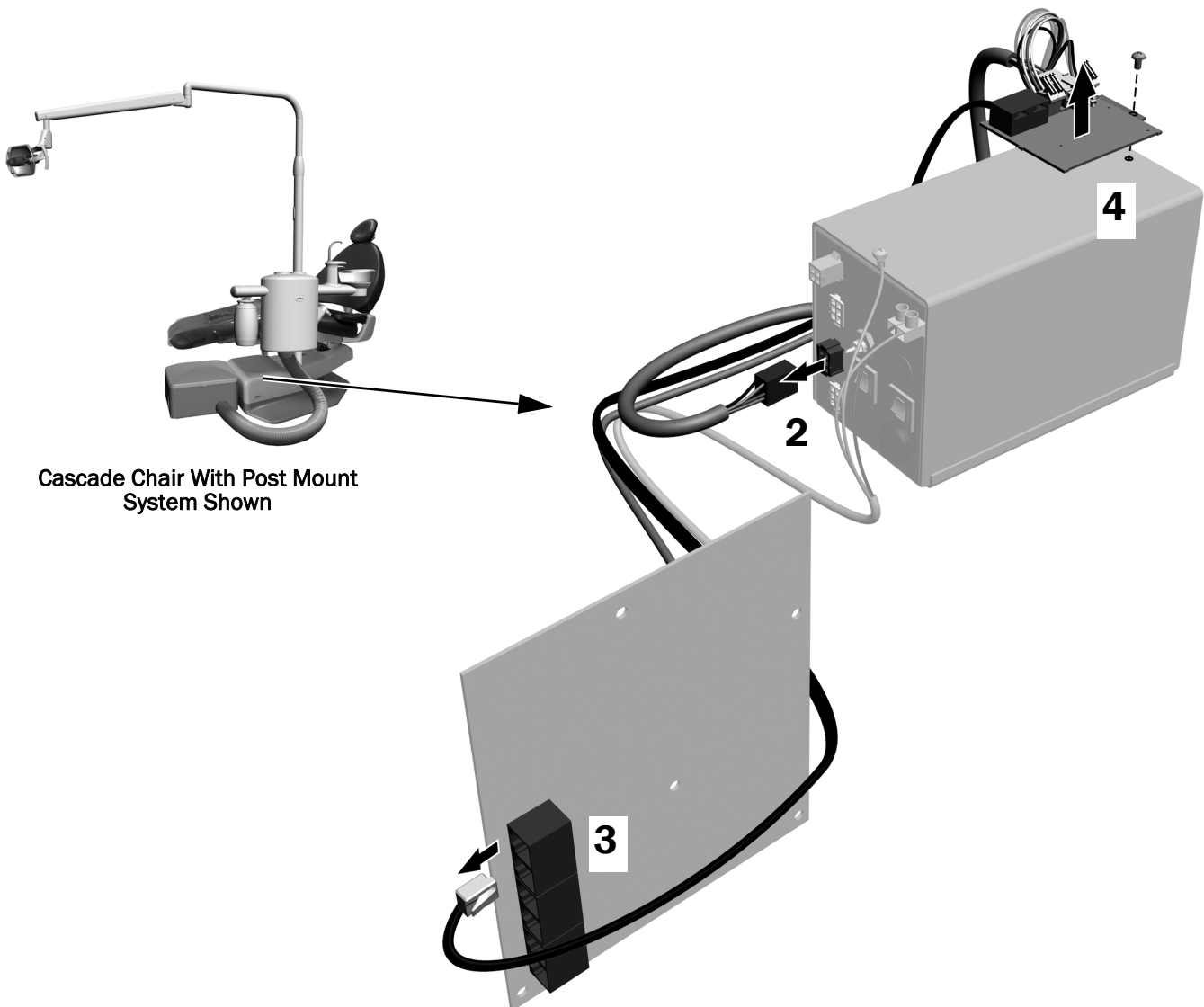
**Next Step** See "Cut the Light Cable" on page 11.

## Decade®/Cascade®/Performer®/Priority Chair

### Recommended Tool

- Phillips head screwdriver

1. Access the power supply.
2. Disconnect the light power cable.
3. Disconnect the data line.
4. Uninstall the relay board.
5. Replace the screw in the top of the power supply.



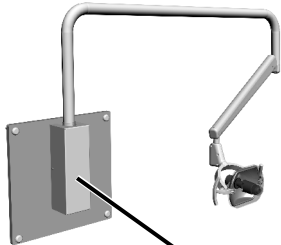
**Next Step** See "Cut the Light Cable" on page 11.

## Wall/Cabinet Mount

### Recommended Tool

- 1/8" hex key

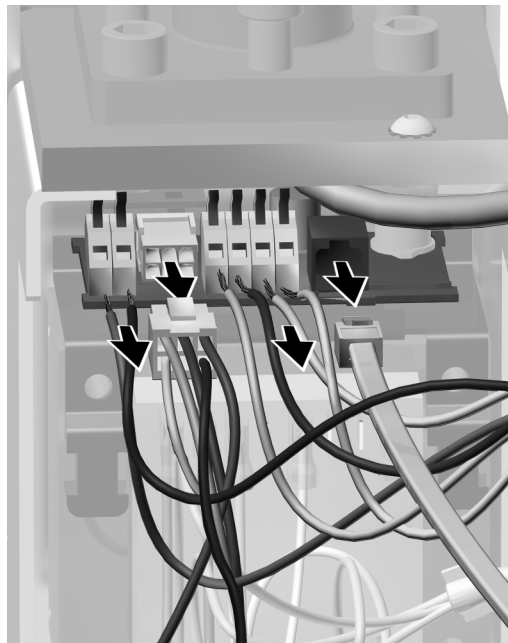
A-dec Wall Mount Light



A-dec Cabinet Mount Light



**1** Access the transformer.



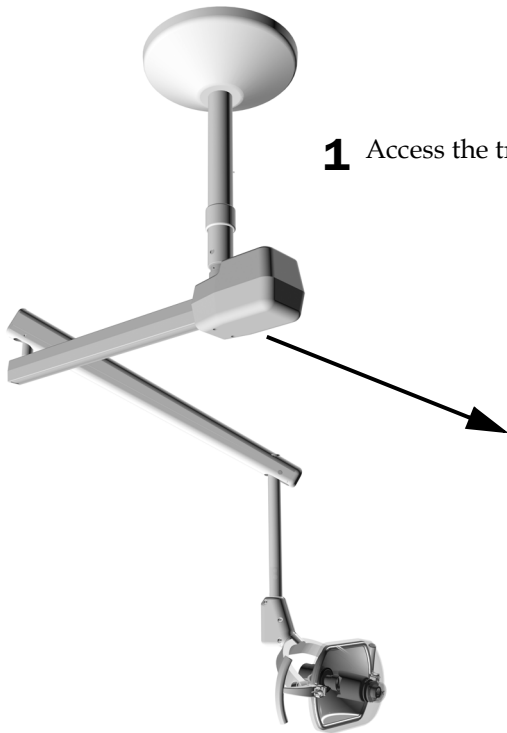
**2** Disconnect the wires and data line.

**Next Step** See "Cut the Light Cable" on page 11.

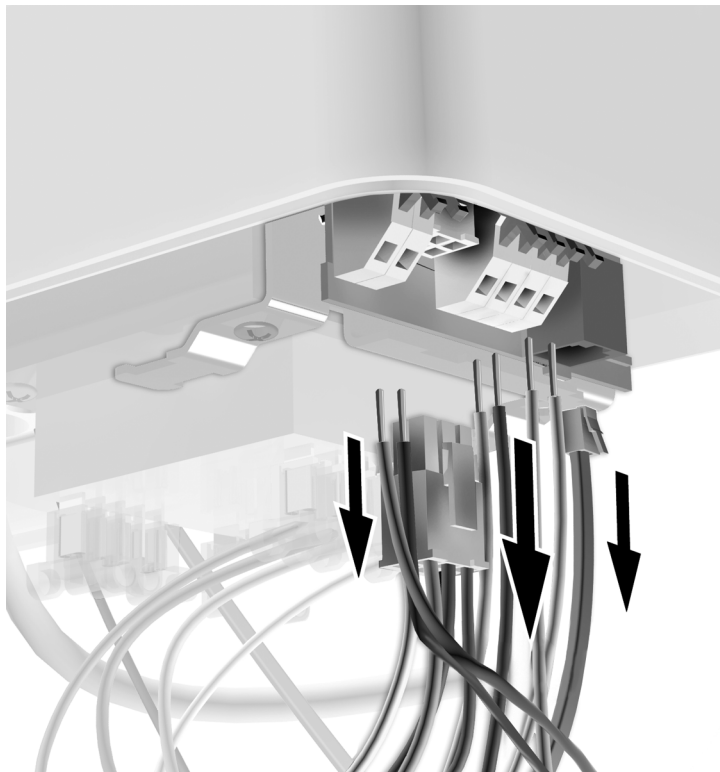
## Ceiling Mount Light

### Recommended Tool

- 5/32" hex key



**1** Access the transformer.



**2** Disconnect the wires and data line.

**Next Step** See "Cut the Light Cable" on page 11.

## Track Mount Light

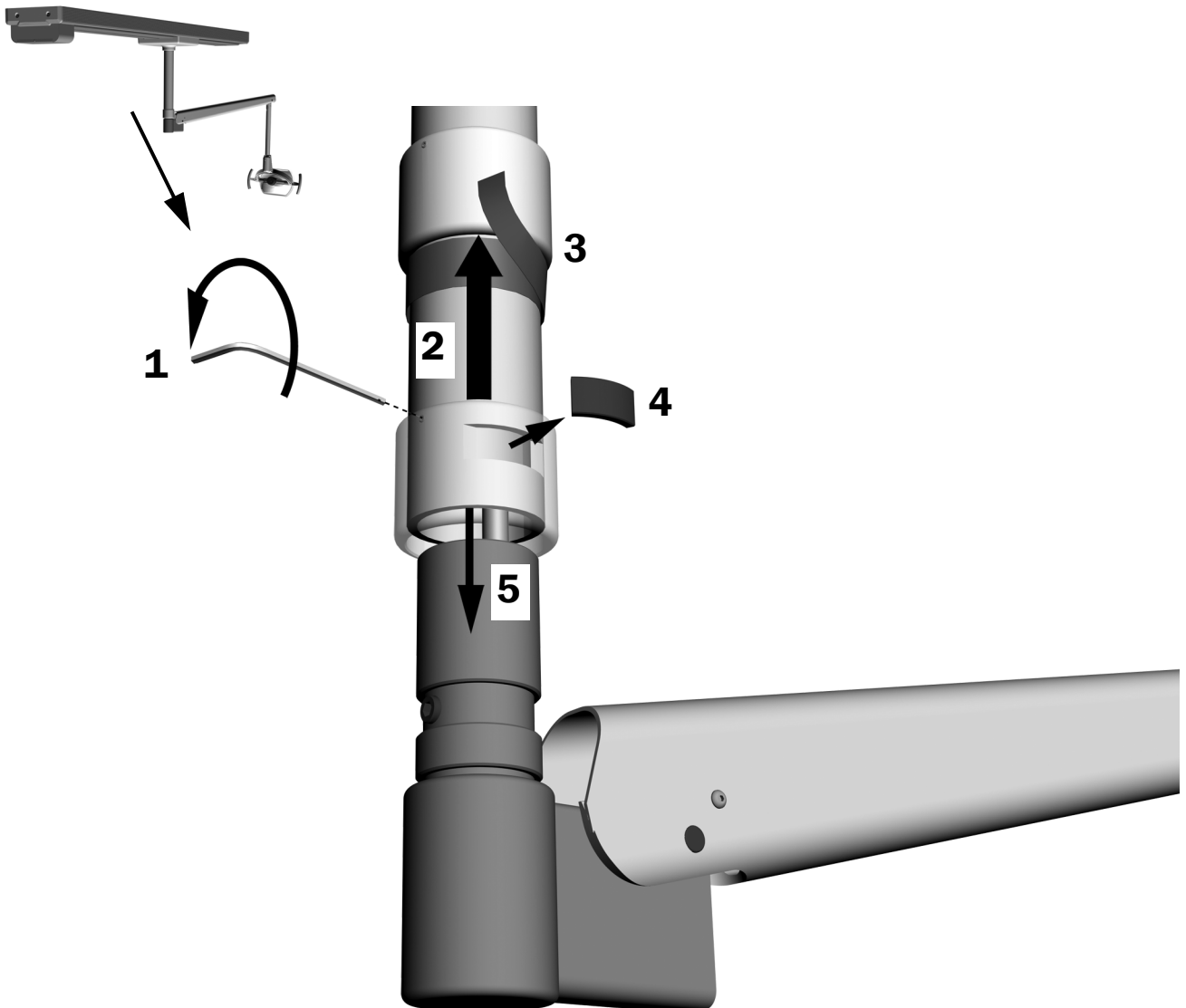
### Recommended Tools

- 1/16" hex key
- Masking tape
- Diagonal cutters

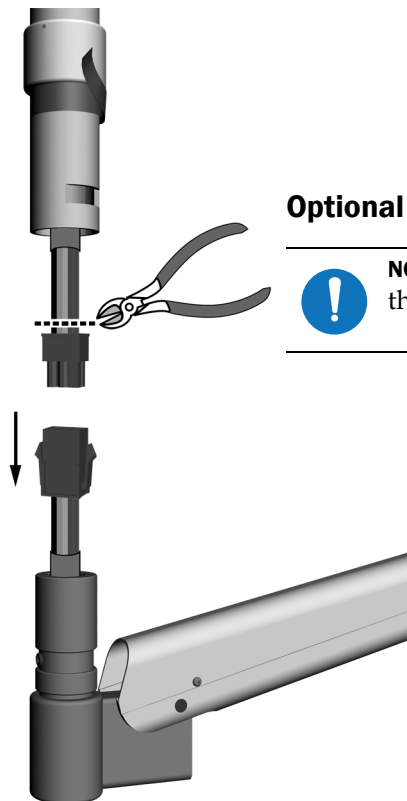


**NOTE** The A-dec 6300 light hub tool is available (p/n 28.1832.00) to hold the flexarm in place while working with the connections.

1. Loosen the setscrew.
2. Slide the collar up.
3. Hold the collar in place with a ring of tape.
4. Support the arm from underneath and remove the key.
5. Slide the arm down from the post.



6. Disconnect the wires at the wire connectors.  
Leave the wire connectors on the wires coming from the trolley.



**Optional**



---

**NOTE** If the connections were made with red connectors, cut the wires from the coil cable flush with where they enter the connector.

---

## Cut the Light Cable

---

### Recommended Tool

- Diagonal cutters



**NOTE** This step applies to all models.

---

1. Cut the cable at the ends of the flexarm.



A-dec 371 Mounted on an A-dec 361 Support Center Shown

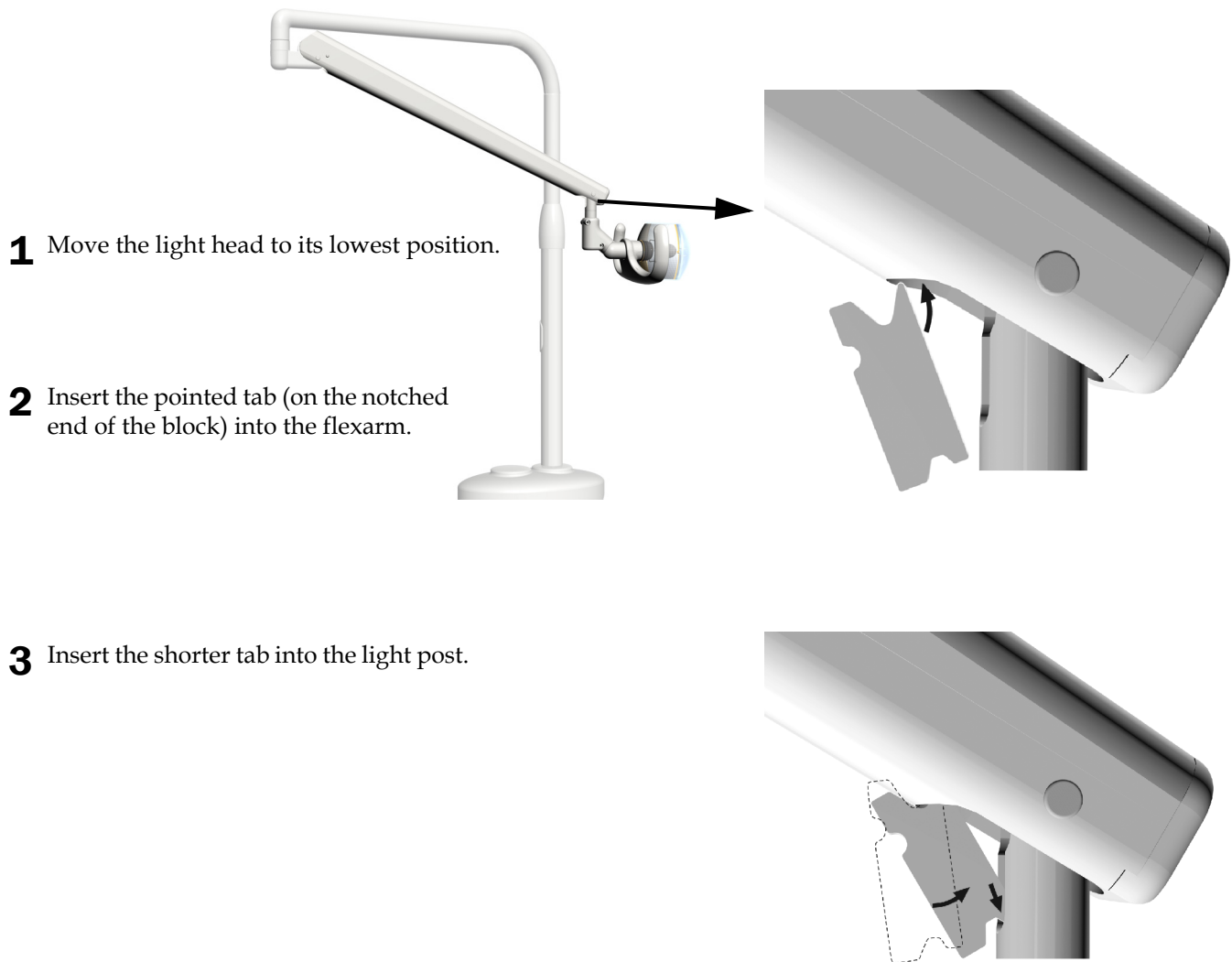
## Place the Flexarm Block



**NOTE** This procedure is not required for track mount systems. If the system is a track mount, go to “Uninstall an A-dec 500 or 6300 Light Head (3 Axis)” on page 14.



**WARNING** Failure to install the flexarm block can result in the sudden rise of the flexarm and potential injury.



### Next Step

See the section for the system’s configuration:

- “Uninstall an A-dec 300 Light Head (2 Axis)” on page 13
- “Uninstall an A-dec 500 or 6300 Light Head (3 Axis)” on page 14

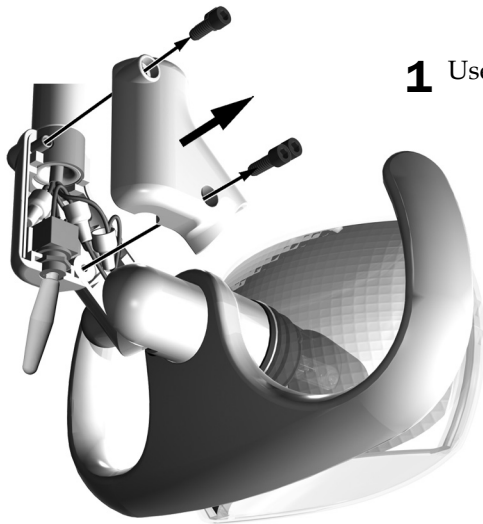


## Uninstall an A-dec 300 Light Head (2 Axis)

### Recommended Tools

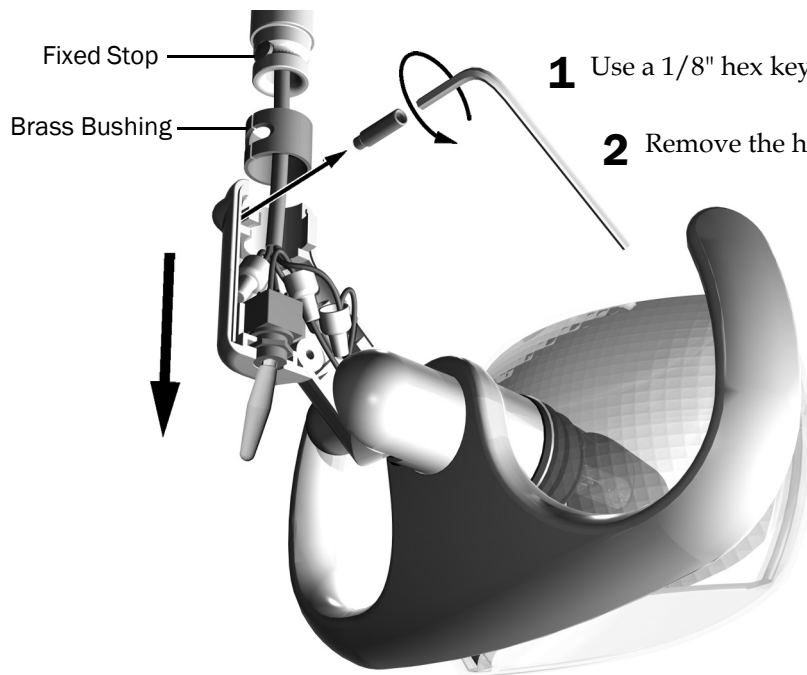
- 1/8" and 5/32" hex keys

#### Task 1.



- 1** Use a 5/32" hex key to remove the switch housing cover.

#### Task 2.



- 1** Use a 1/8" hex key to remove the pin.

- 2** Remove the head and brass bushing.



**NOTE** Make sure the fixed stop stays installed in the light head knuckle. It will be used with the LED light.

**Next Step** See "Remove the Flexarm Block" on page 16.

## **Uninstall an A-dec 500 or 6300 Light Head (3 Axis)**

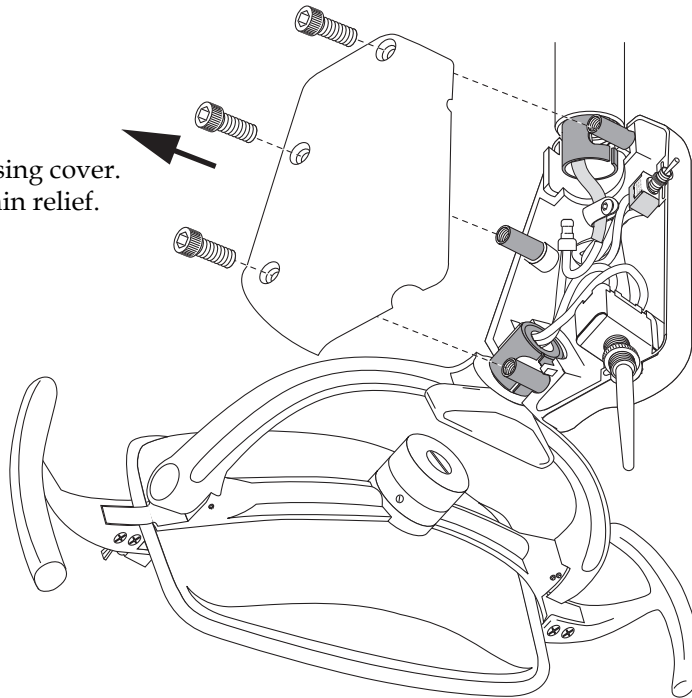
---

### **Recommended Tools**

- 5/32" hex key
- Needle-nose pliers

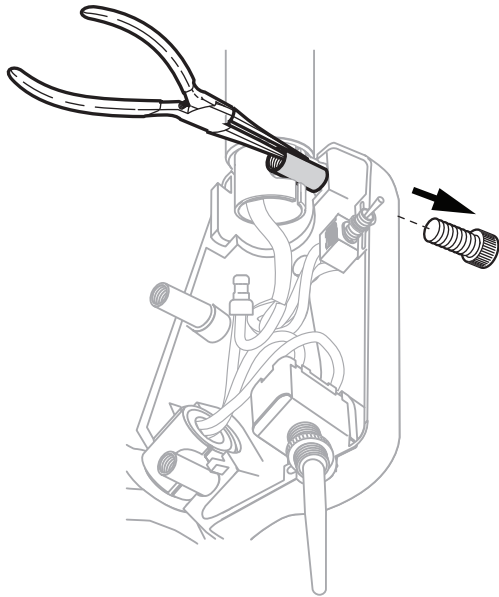
### **Task 1.**

- 1** Remove this side of the switch housing cover. The other side is connected to a strain relief.



### Task 2.

- 1 Hold the pin.



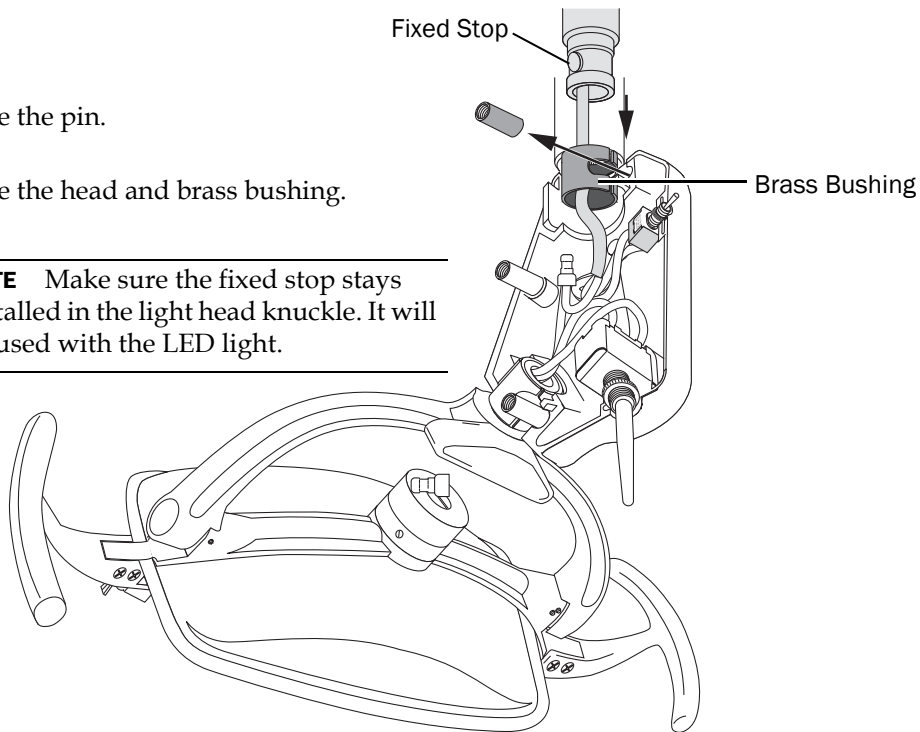
- 2 Use a 5/32" hex key to remove the top screw.

### Task 3.

- 1 Remove the pin.
- 2 Remove the head and brass bushing.



**NOTE** Make sure the fixed stop stays installed in the light head knuckle. It will be used with the LED light.



**Next Step** See "Remove the Flexarm Block" on page 16.

## Remove the Flexarm Block

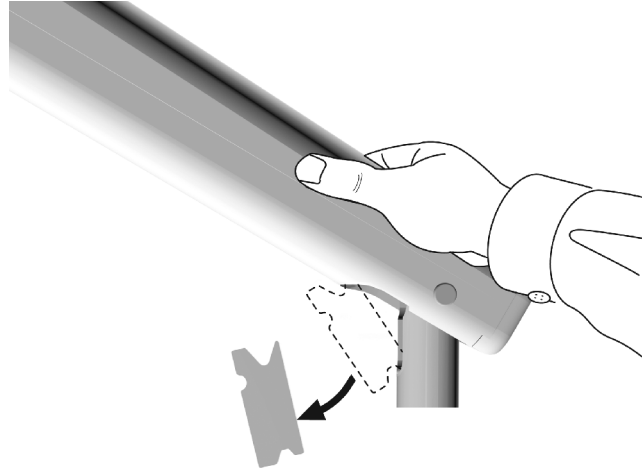
---



**NOTE** This procedure is not required for track mount systems. If the system is a track mount, go to the next section, "Remove the Light Cable".

---

- 1** Push the flexarm down and maintain pressure on top.
- 2** Remove the block.
- 3** Slowly raise the flexarm.



## Remove the Light Cable

---



**NOTE** If the system is a wall/cabinet mount, go to the procedure on the following page.

---

### Recommended Tool

- Pliers



- 1** Remove the pieces of cable.



**NOTE** If the cables are on a light with a rigid arm, save the umbilical wrap for the LED installation.

---

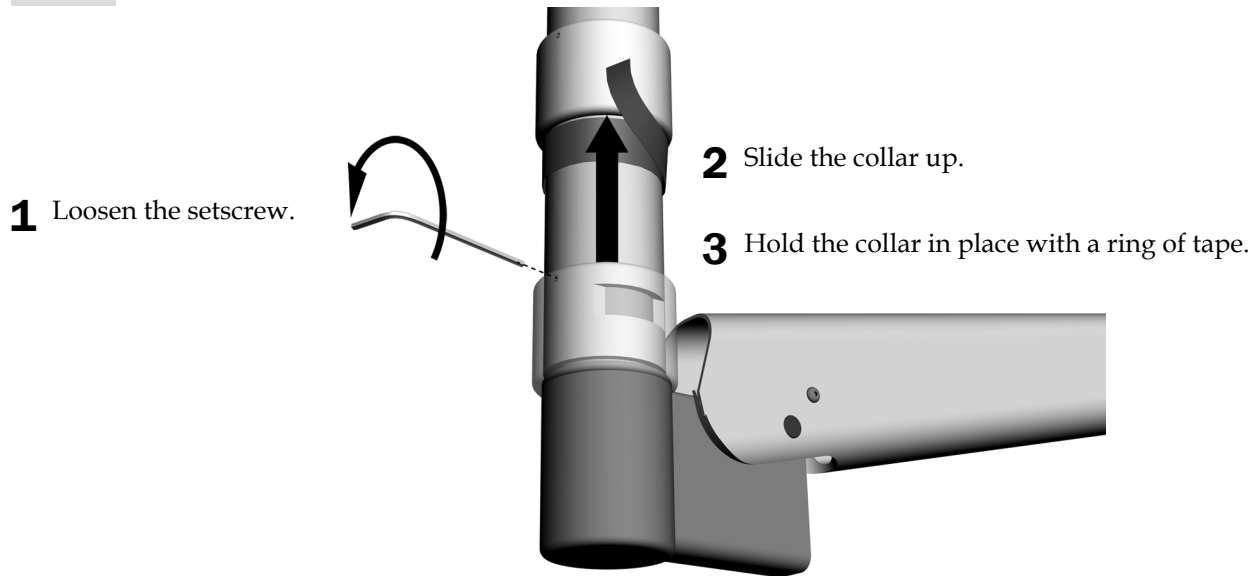
A-dec 311 Chair with an A-dec 361 Support Center Shown

## Remove the Light Cable from Wall/Cabinet Mount Systems

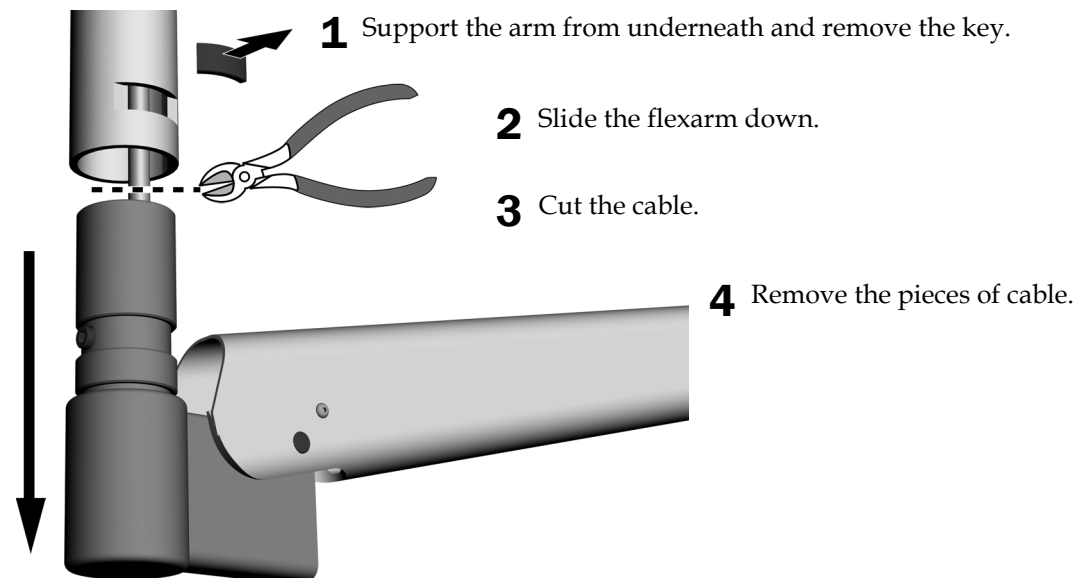
### Recommended Tools

- 1/16" hex key
- Masking tape
- Diagonal cutters
- Pliers

### Task 1.

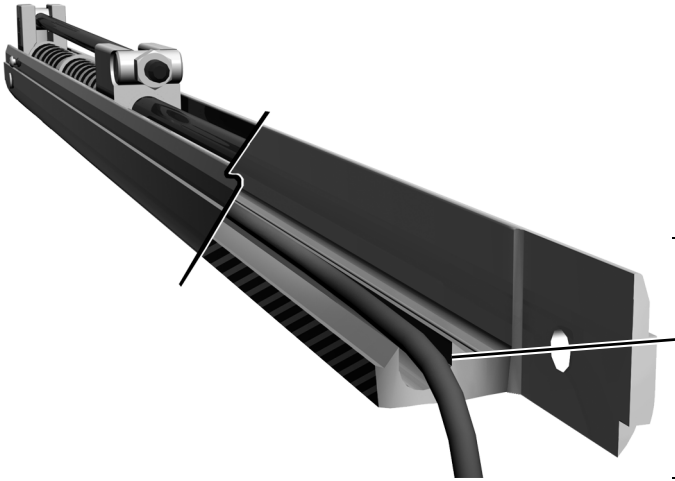


### Task 2.



## Install the LED Light Cable

---



**CAUTION** Route the light cable so that it sits in the groove at the bottom of the flexarm. If the cable is not in the groove, the cable may get damaged or interfere with the flexarm functionality. You may need to remove the flexarm cover to confirm the cable is properly seated.

---

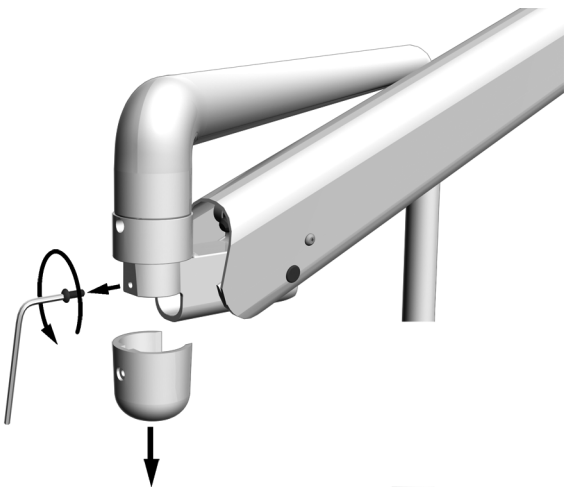
See the section for instructions on routing the light cable for the system's configuration:

<b>A-dec 300 Base Mount Post</b> .....	<b>19</b>
<b>A-dec 361 Support Center</b> .....	<b>20</b>
<b>Rigid Arm on an A-dec 511</b> .....	<b>21</b>
<b>A-dec 500 Support Arm</b> .....	<b>23</b>
<b>Wall/Cabinet Mount</b> .....	<b>24</b>
<b>Ceiling Mount</b> .....	<b>26</b>
<b>Track Mount</b> .....	<b>27</b>
<b>A-dec 200</b> .....	<b>28</b>



**NOTE** Flexarms on chair mounted lights have a cap where the flexarm meets the rigid arm. Use a 5/64" hex key to remove this cap and make the cable routing easier.

---



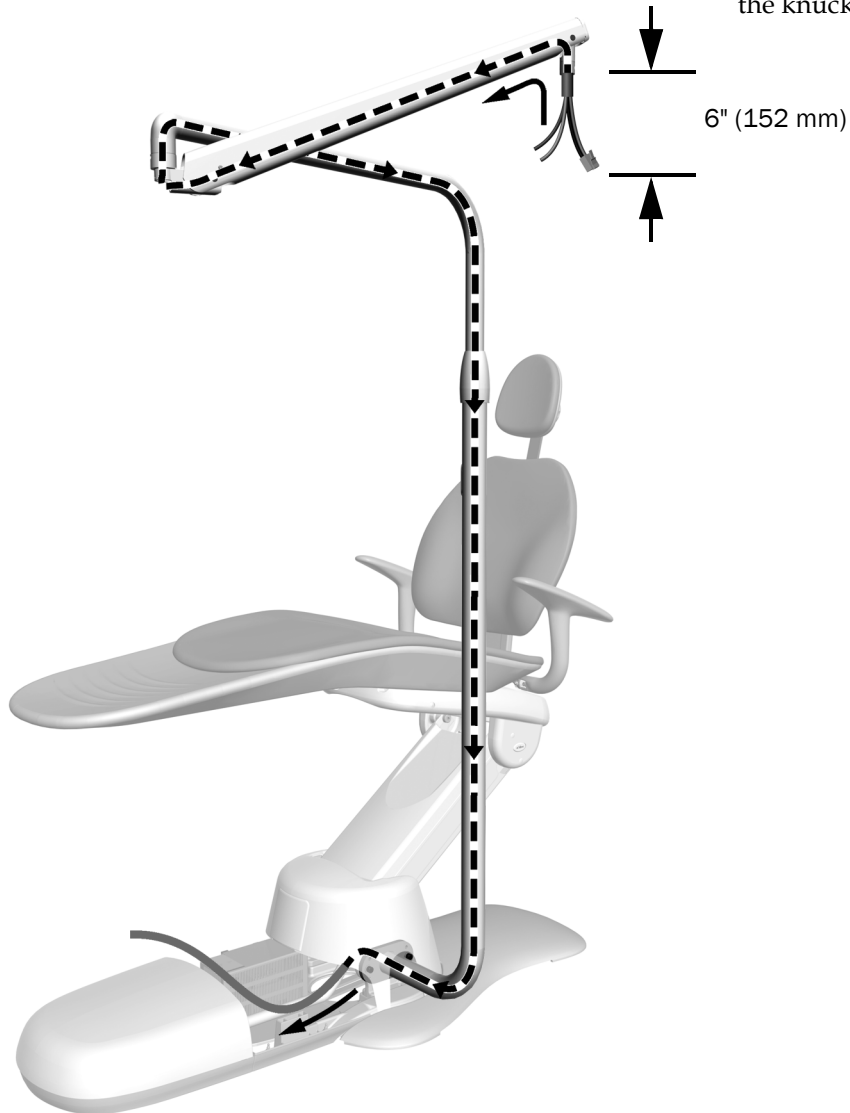
## A-dec 300 Base Mount Post

### Recommended Tool

- Cable snake

**1** When routing the cable, the connector belongs by the light head knuckle.

Route the cable from the light head knuckle to the power supply. Leave 6" (152 mm) exposed from the knuckle.



**Next Step** See "Install the Light Head" on page 30.

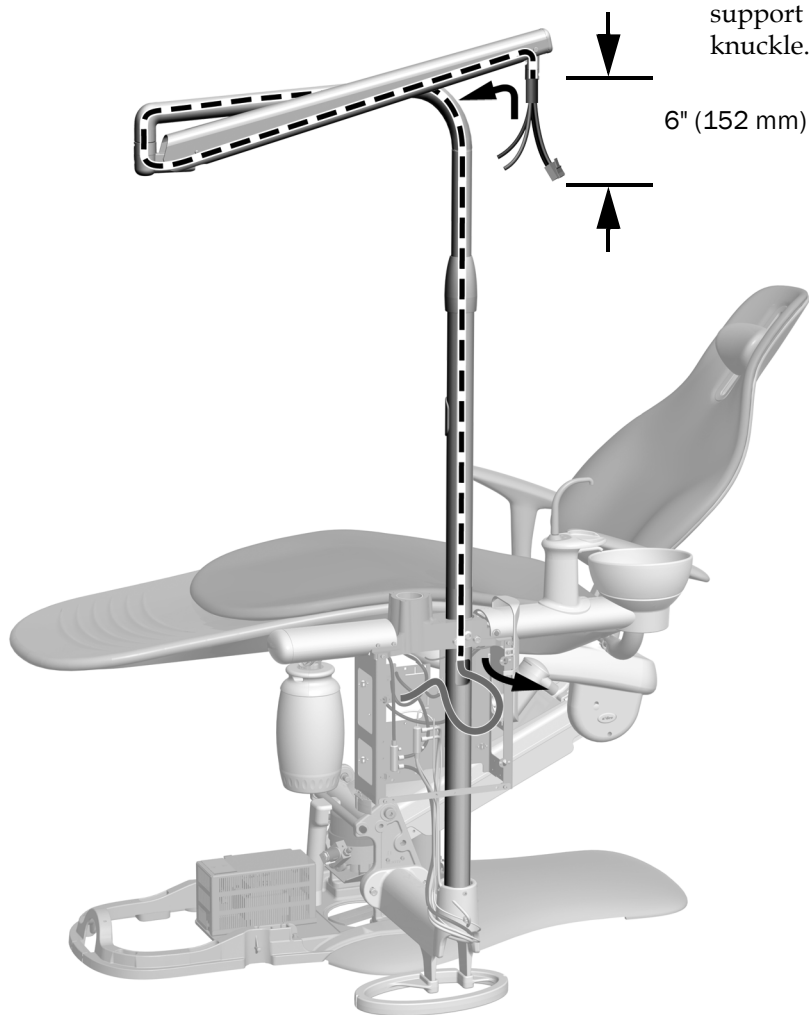
## A-dec 361 Support Center

### Recommended Tool

- Cable snake

**1** When routing the cable, the connector belongs by the light head knuckle.

Route the cable from the light head knuckle to the support center. Leave 6" (152 mm) exposed from the knuckle.



A-dec 361 Support Center on an A-dec 311 Chair Shown

**Next Step** See "Install the Light Head" on page 30.

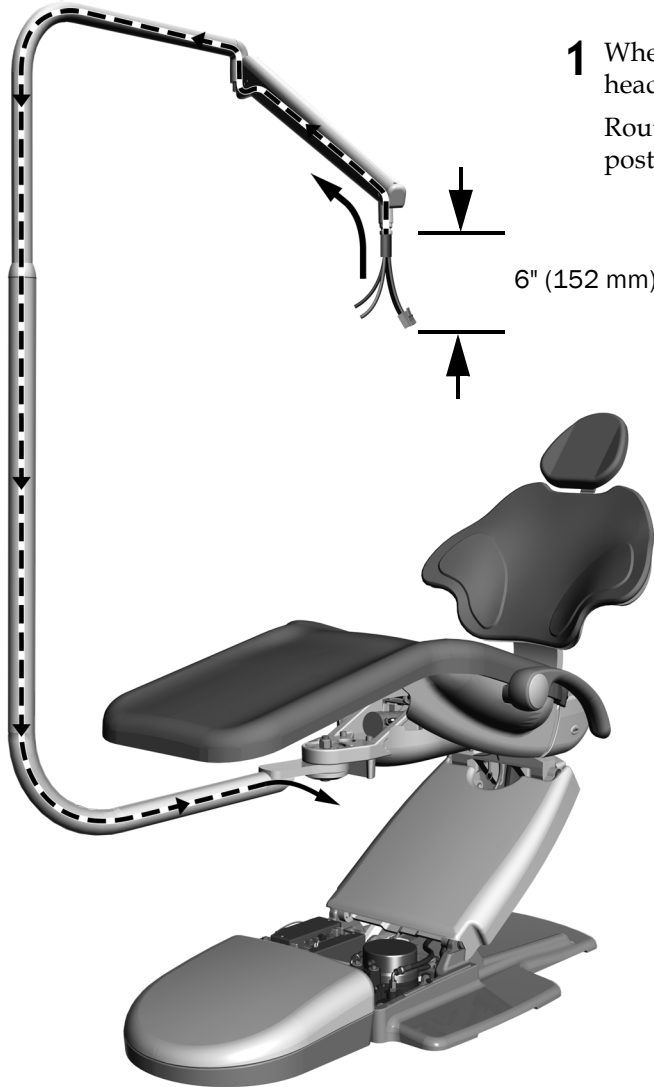


## Rigid Arm on an A-dec 511

### Recommended Tool

- Cable snake

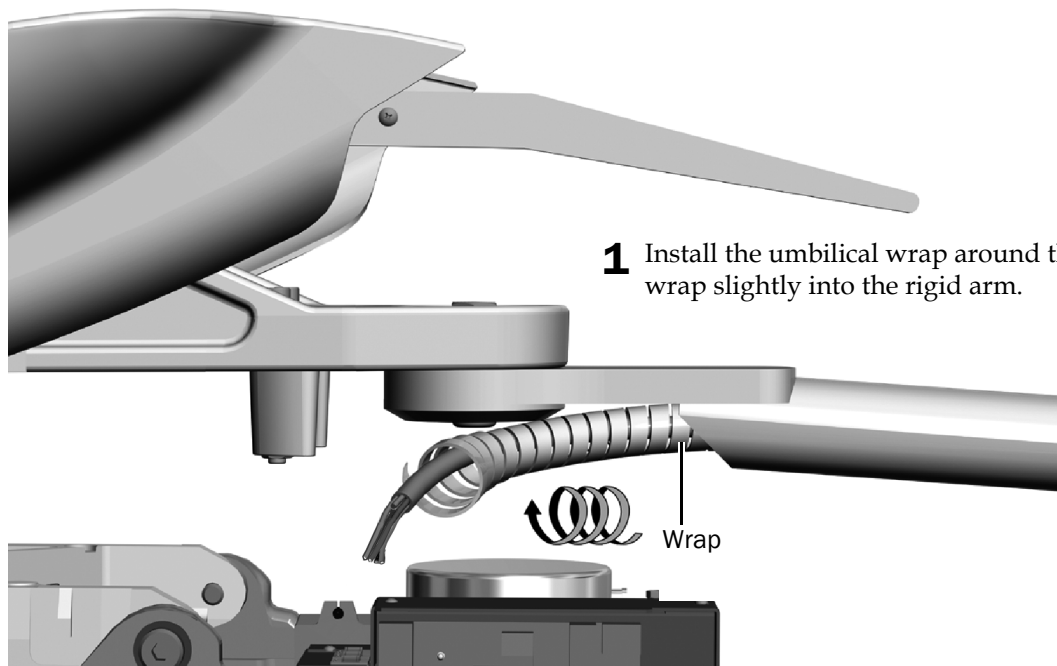
### Task 1.



- 1 When routing the cable, the connector belongs by the light head knuckle.

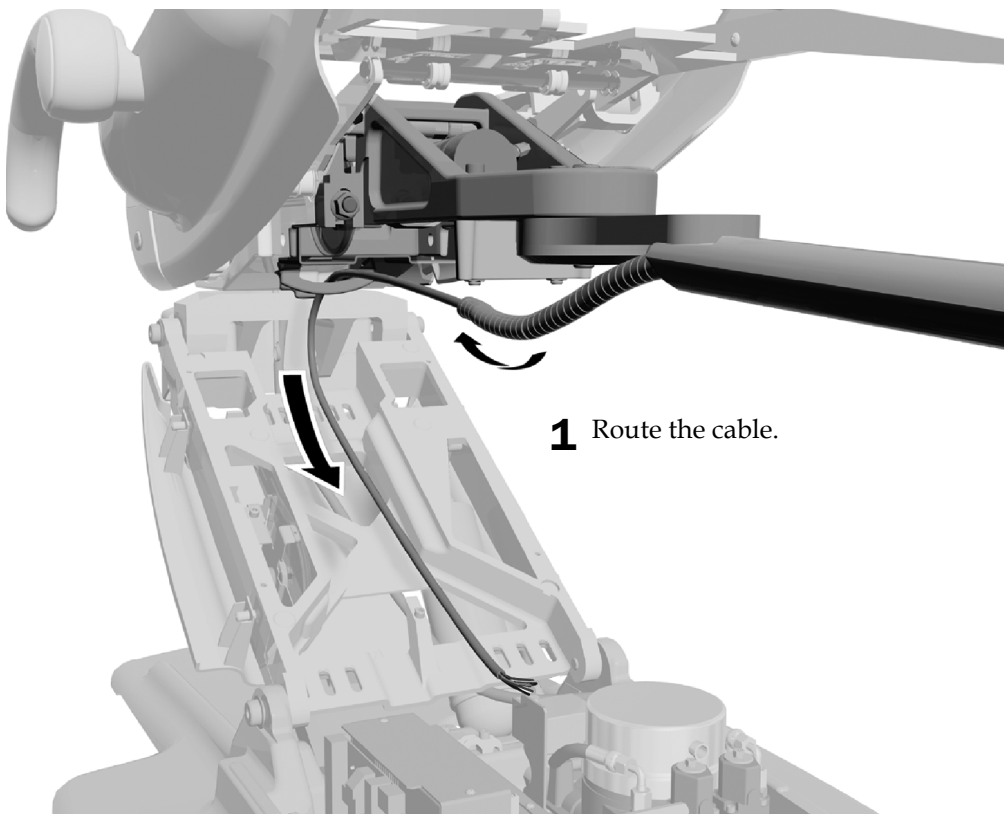
Route the cable from the light head knuckle through the posts. Leave 6" (152 mm) exposed from the knuckle.

**Task 2.**



**1** Install the umbilical wrap around the cable. Slide the wrap slightly into the rigid arm.

**Task 3.**



**1** Route the cable.

**Next Step** See "Install the Light Head" on page 30.

## A-dec 500 Support Arm

### Recommended Tools

- Standard screwdriver
- Cable snake

- 1** When routing the cable, the connector belongs by the light head knuckle.

Route the cable from the light head knuckle to the power supply. Leave 6" (152 mm) exposed from the knuckle.



**Next Step** See "Install the Light Head" on page 30.

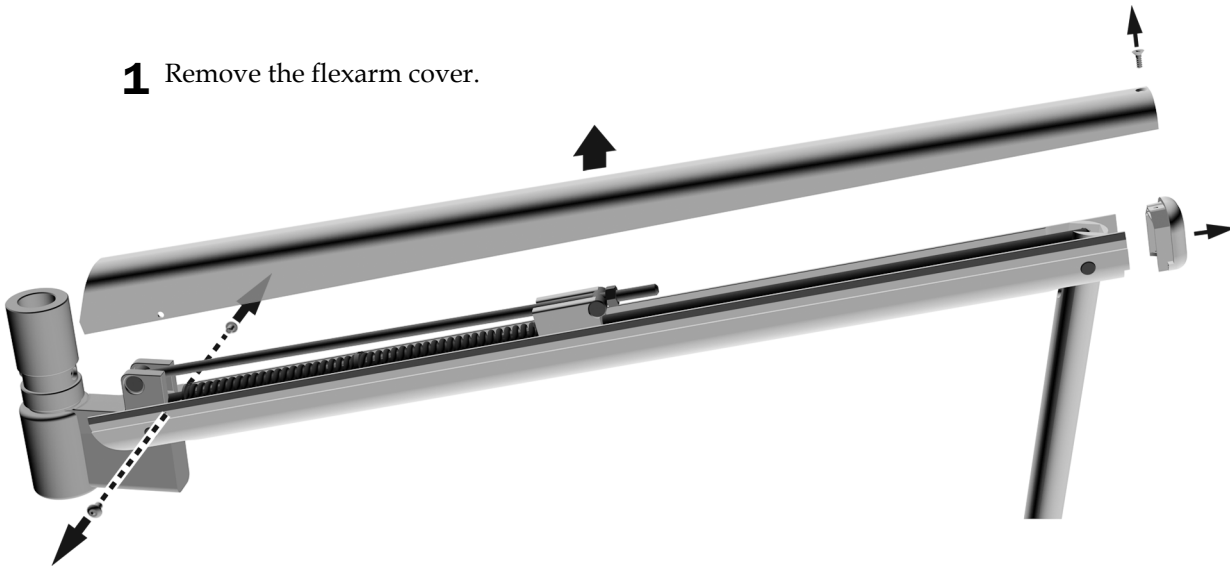
## Wall/Cabinet Mount

### Recommended Tools

- Phillips head screwdriver
- 1/16" and 5/64" hex keys
- Cable snake

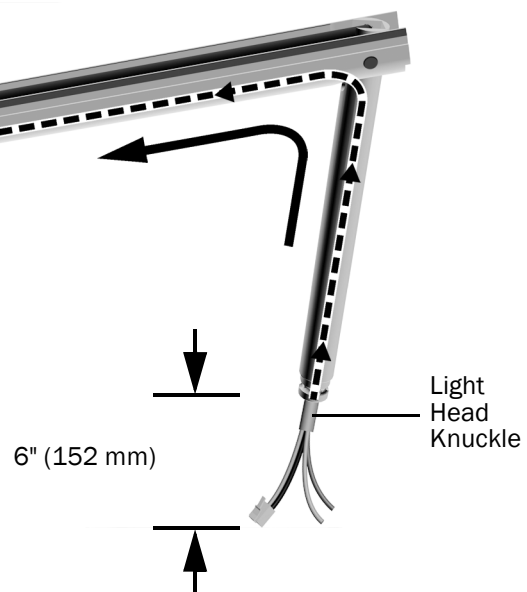
### Task 1.

- 1 Remove the flexarm cover.

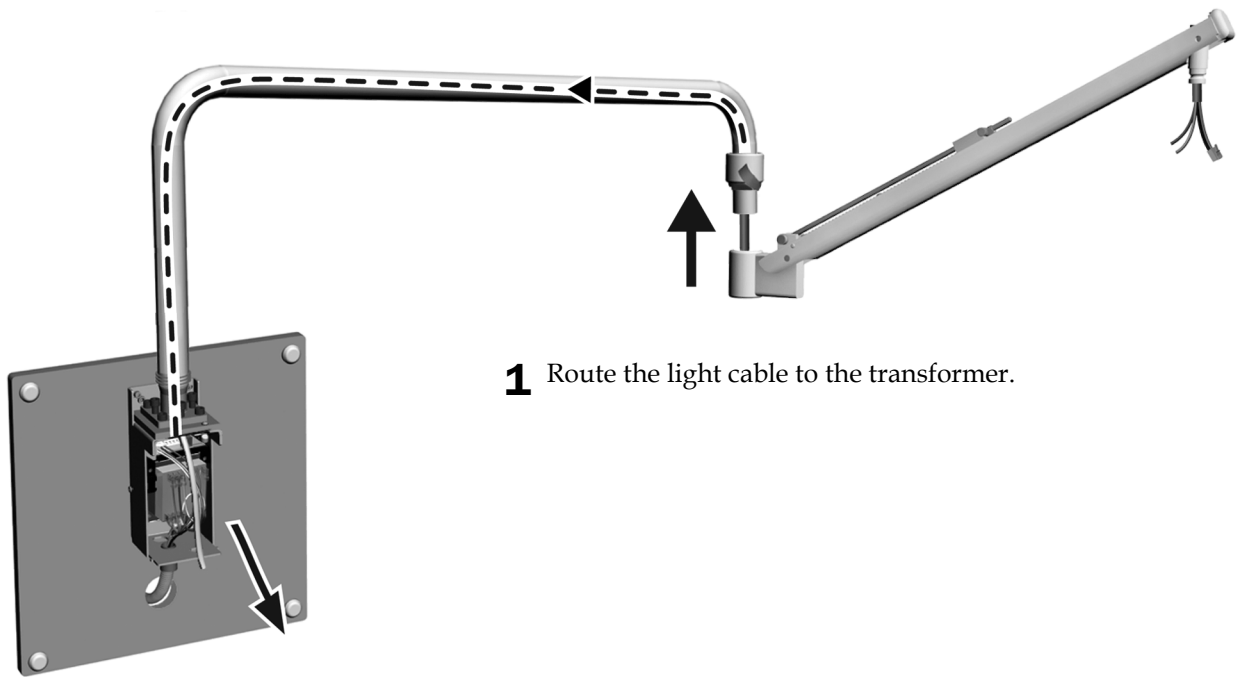


### Task 2.

- 1 When routing the cable, the connector belongs by the light head knuckle.  
Route the cable from the light head knuckle to the end that inserts into the trolley post. Leave 6" (152 mm) exposed from the knuckle.

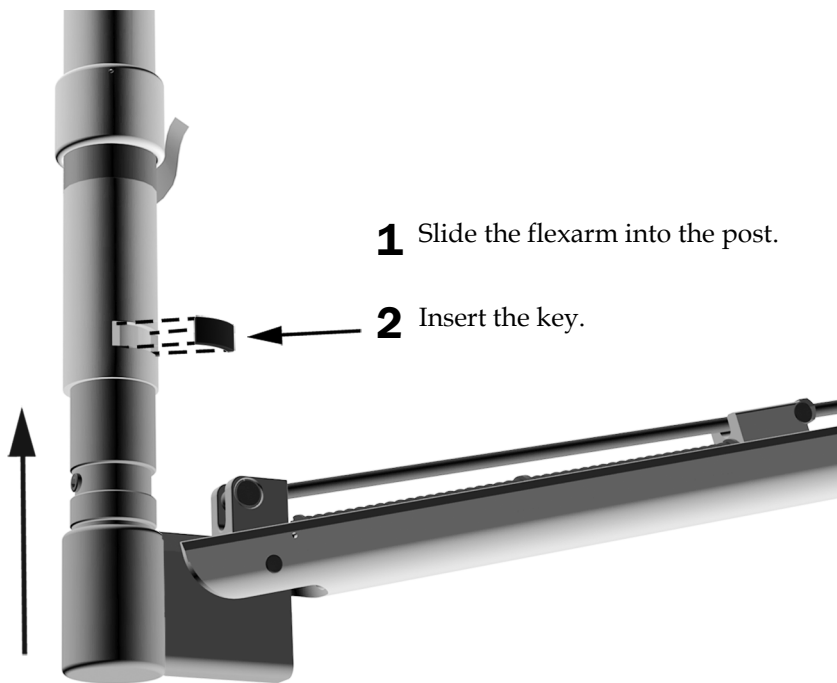


**Task 3.**



**1** Route the light cable to the transformer.

**Task 4.**

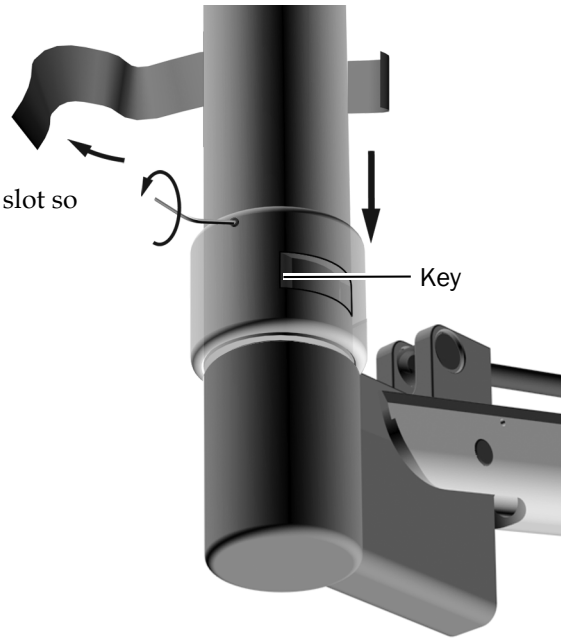


**1** Slide the flexarm into the post.

**2** Insert the key.

### Task 5.

- 1 Remove the tape. Lower the collar over the slot so that the setscrew is not over the key.
- 2 Firmly tighten the setscrew.



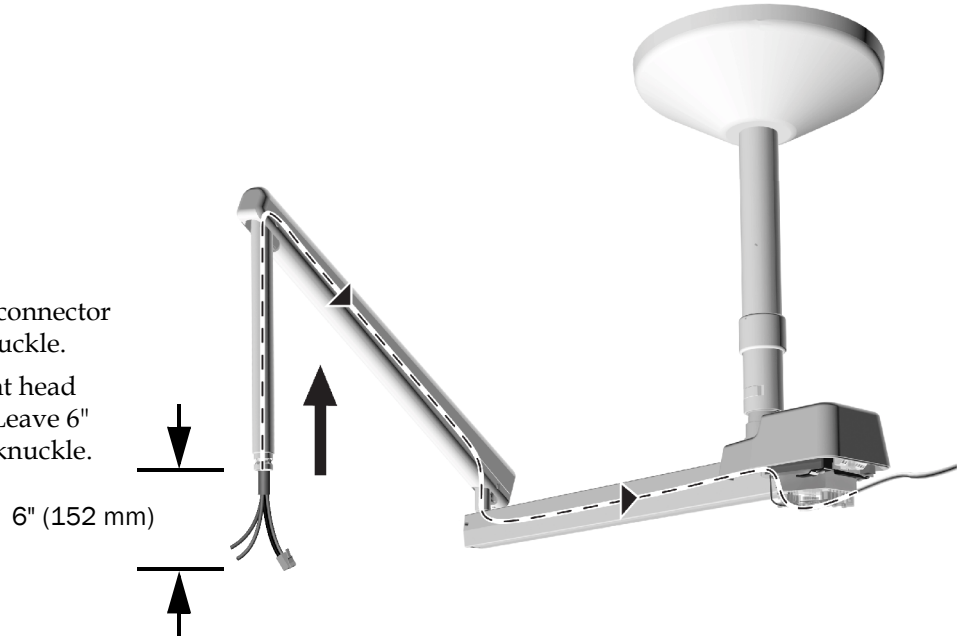
**Next Step** See "Install the Light Head" on page 30.

## Ceiling Mount

### Recommended Tool

- Cable snake

- 1 When routing the cable, the connector belongs by the light head knuckle.  
Route the cable from the light head knuckle to the transformer. Leave 6" (152 mm) exposed from the knuckle.



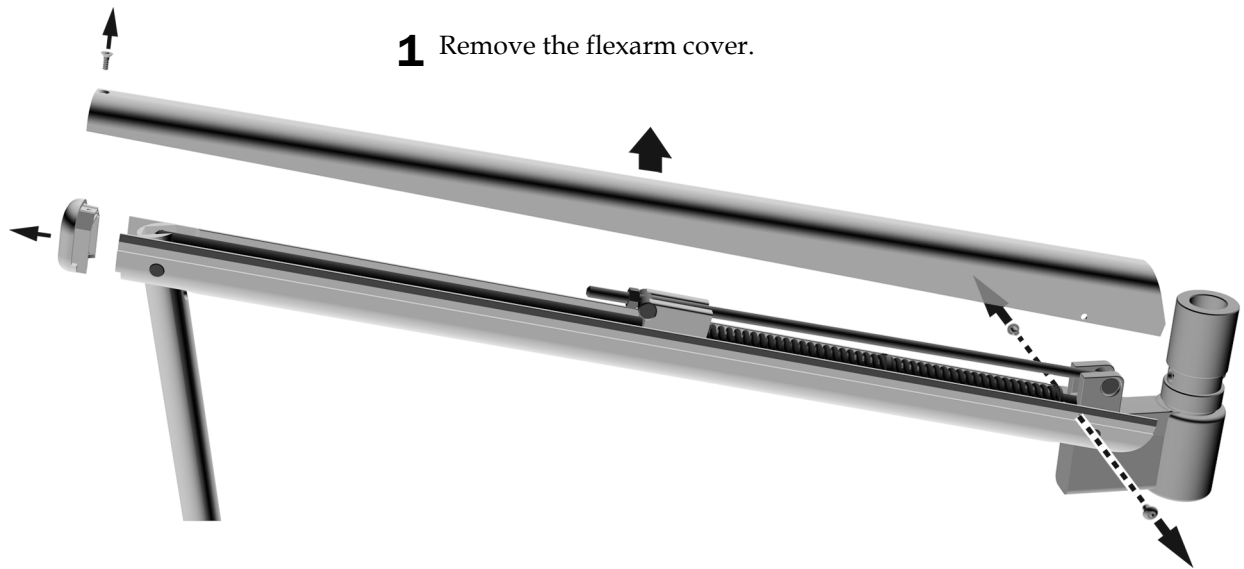
**Next Step** See "Install the Light Head" on page 30.

## Track Mount

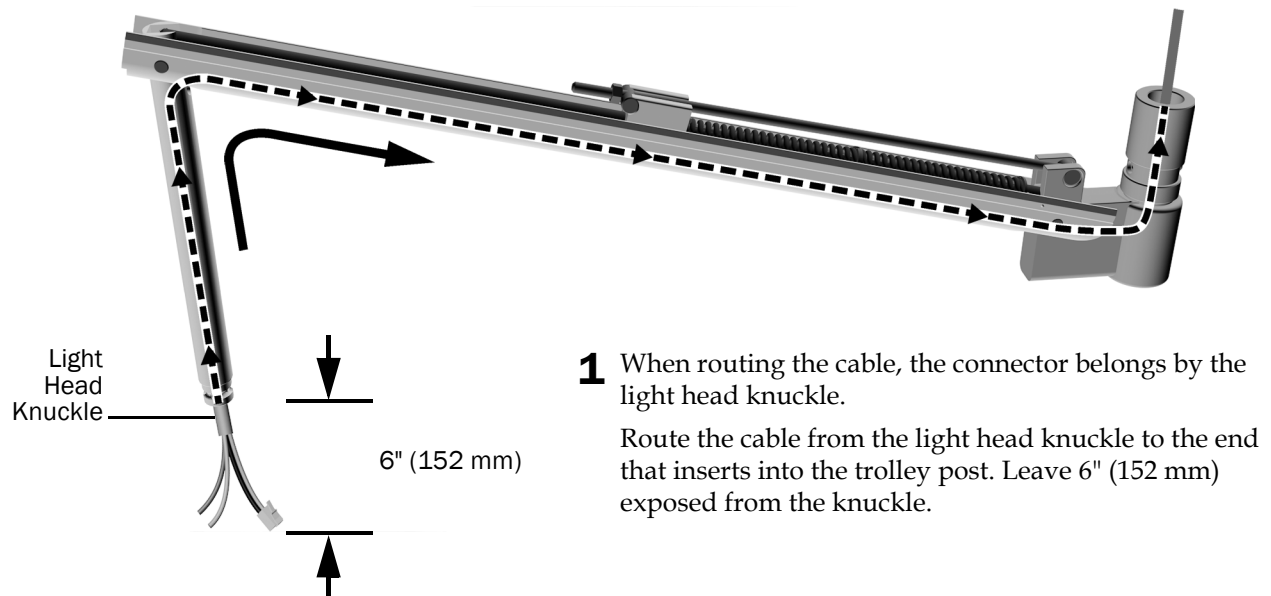
### Recommended Tools

- 5/64" hex key
- Phillips head screwdriver
- Cable snake

#### Task 1.



#### Task 2.



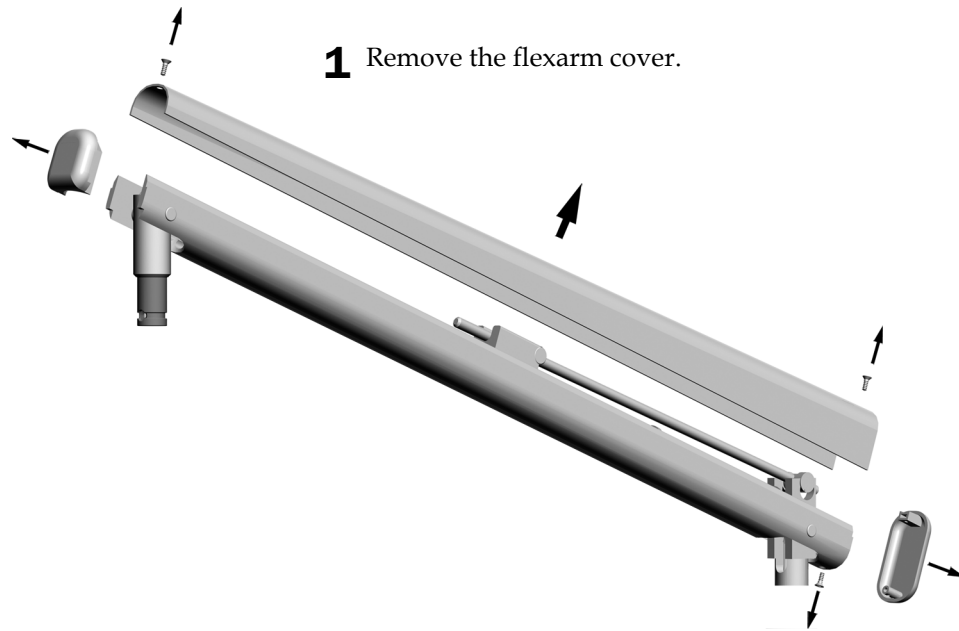
**Next Step** See "Install the Light Head" on page 30.

## A-dec 200

### Recommended Tools

- Phillips head screwdriver
- Cable snake

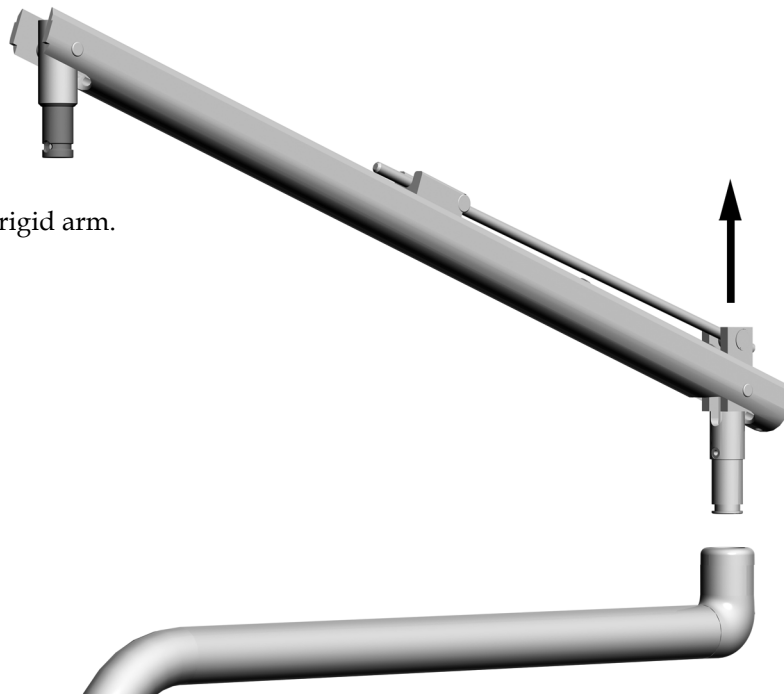
### Task 1.



### Task 2.

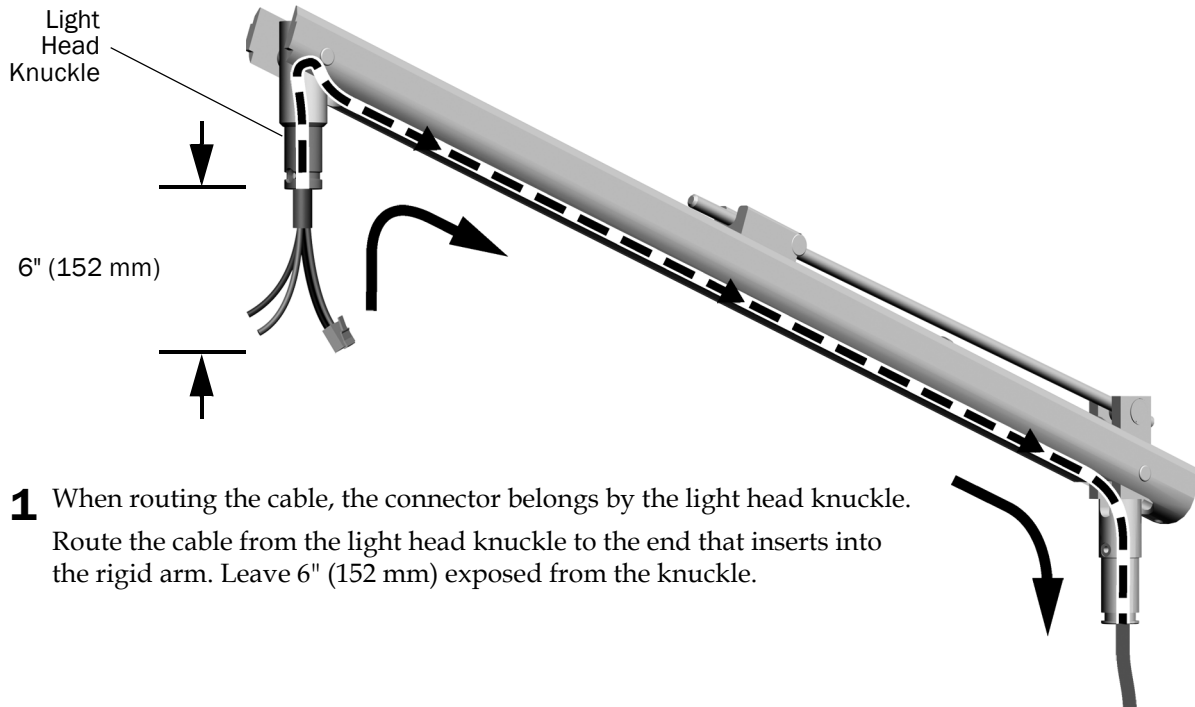
**1** Align the flexarm directly over the rigid arm.

**2** Lift up and remove the flexarm.





**Task 3.**



- 1** When routing the cable, the connector belongs by the light head knuckle. Route the cable from the light head knuckle to the end that inserts into the rigid arm. Leave 6" (152 mm) exposed from the knuckle.

**Task 4.**

- 1** Route the cable through the rigid arm to the support center.
- 2** Align the flexarm directly over the rigid arm.
- 3** Insert the flexarm into the rigid arm.



**Next Step** See "Install the Light Head" on page 30.

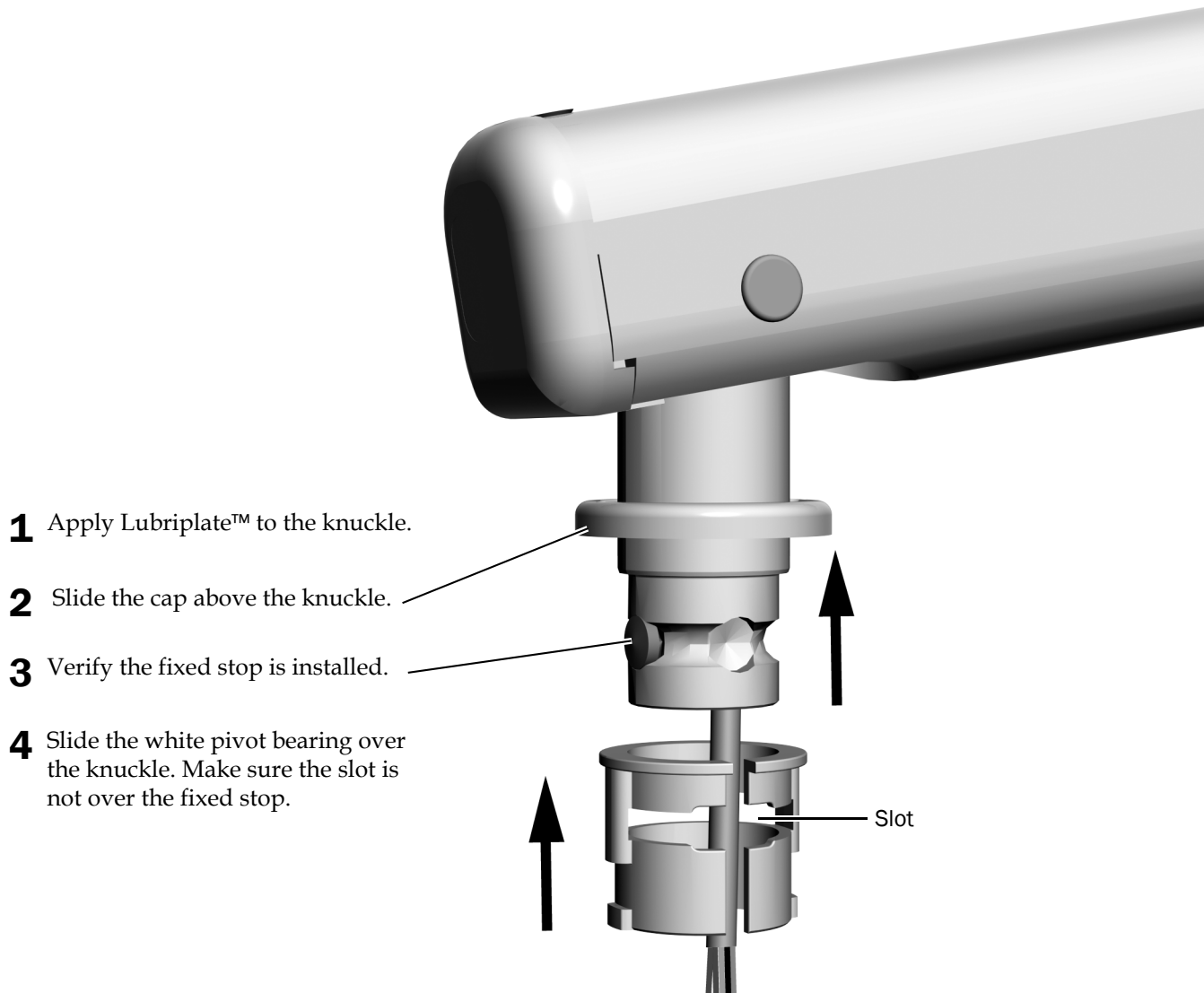
## Install the Light Head

---

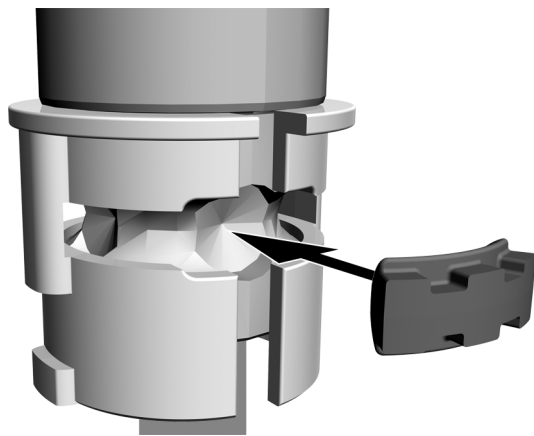
### Recommended Tools

- Lubriplate™
- Diagonal cutters
- 5/64" and 7/64" hex keys

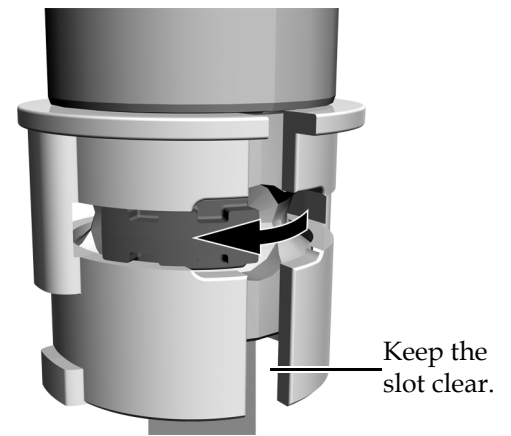
### Task 1.



**Task 2.**



Rotation Stop  
Actual Size



**1** Insert the rotation stop with its concave side towards the knuckle.

**2** Slide the rotation stop in the groove until it does not block the slot.

**Task 3.**



---

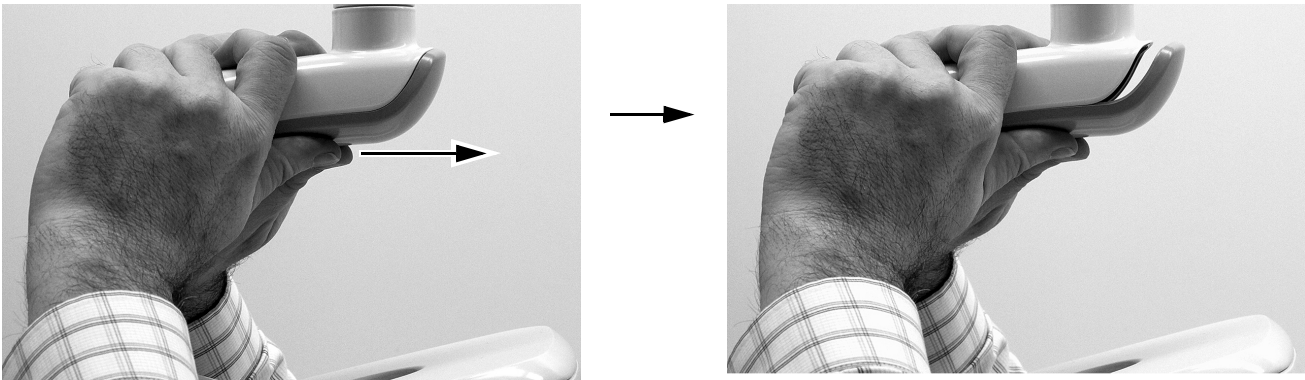
**WARNING** Shock hazard. When you remove or replace the covers, take care not to damage any wiring or tubing. Verify that the covers are secure after you replace them.

---

**1** Remove the two screws securing the driver housing cover.

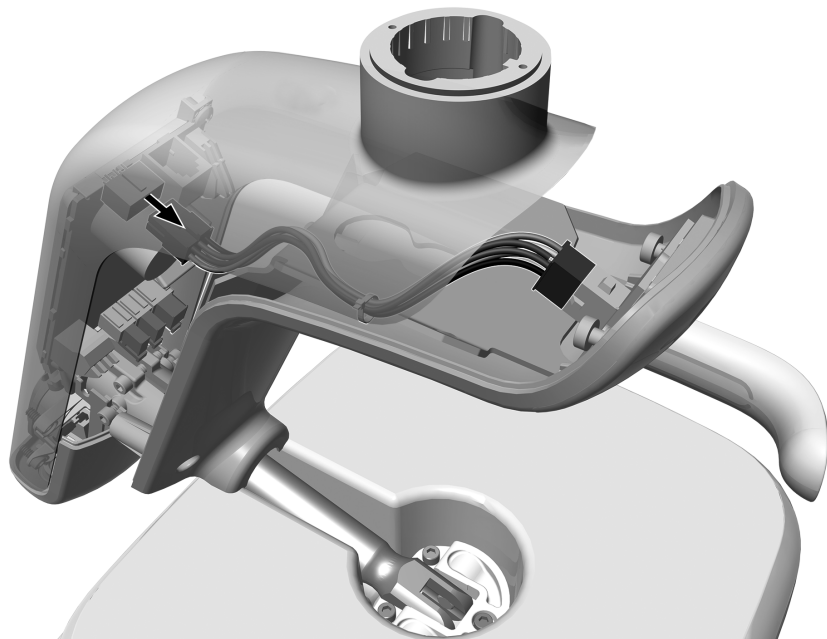
#### Task 4.

- 1 Grasp the driver housing and use your thumbs to push the driver housing cover away from the driver housing.

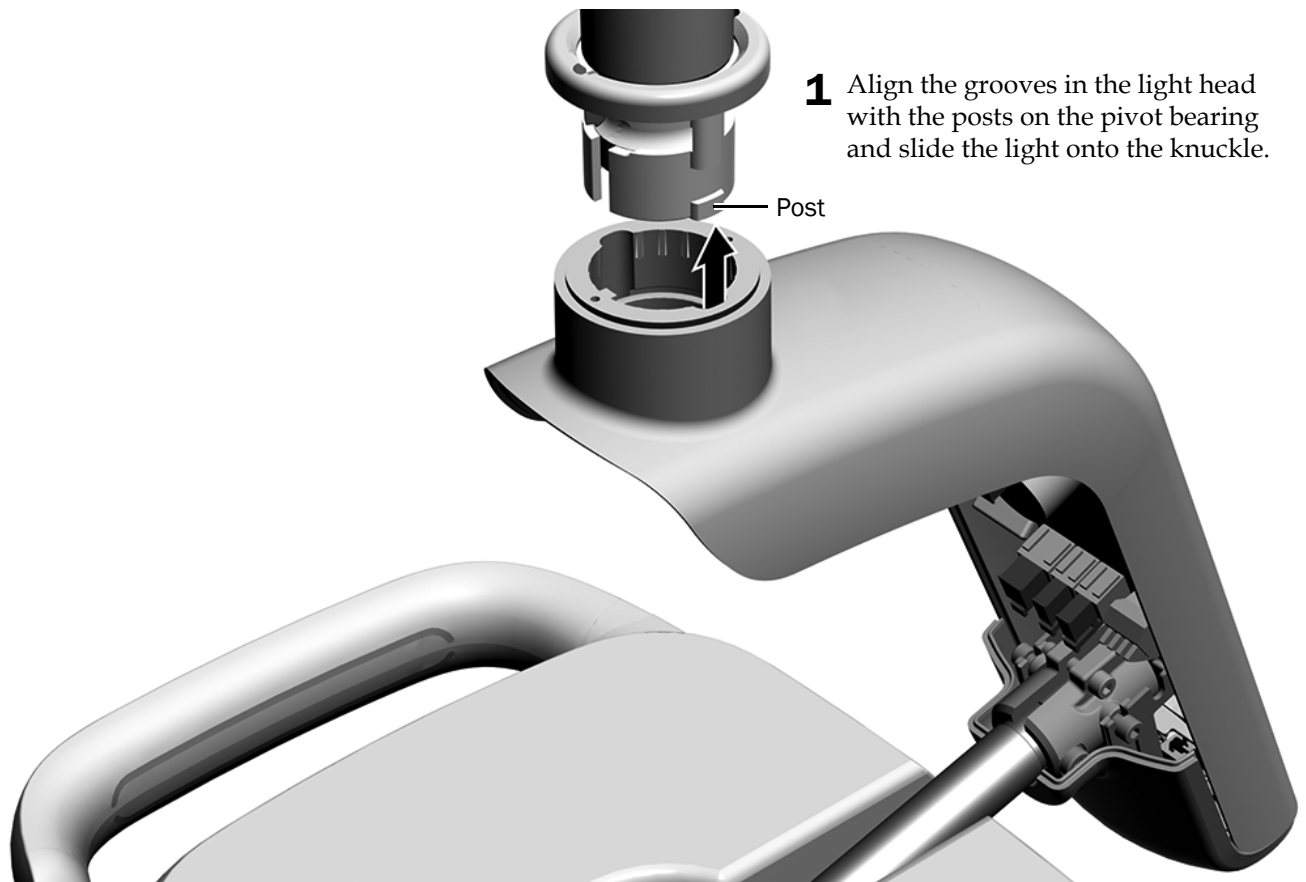


#### Task 5.

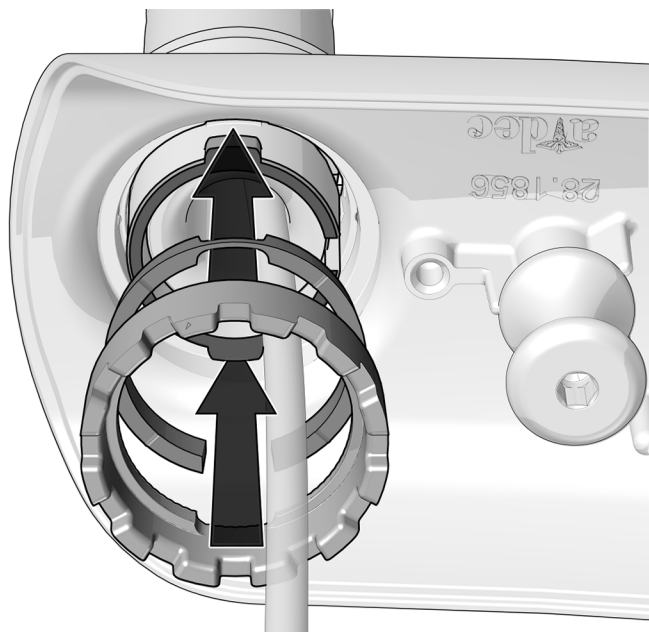
- 1 Unplug the indicator wire assembly.



**Task 6.**



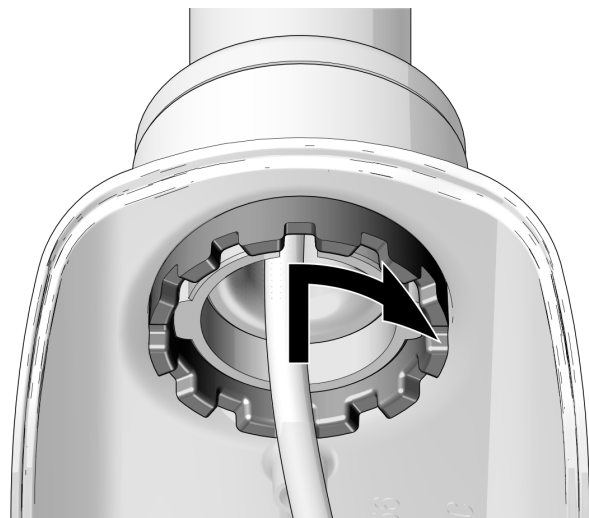
**Task 7.**



**CAUTION** When starting to install the friction adjustment, carefully align its threads to avoid cross threading.

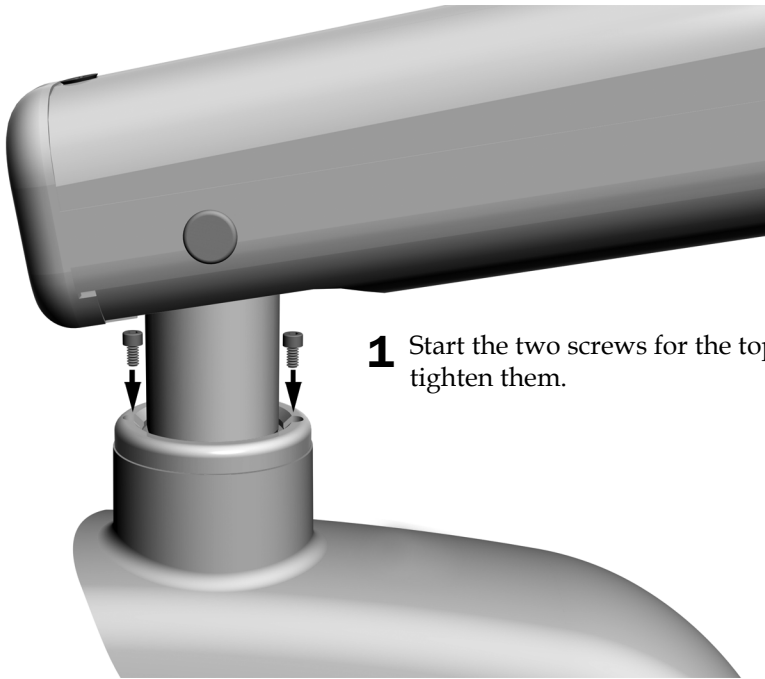
- 1** Insert the pressure plate and friction adjustment.

**Task 8.**



- 1** Screw in the friction adjustment collar until the head moves slowly and holds its position.

**Task 9.**



- 1** Start the two screws for the top cap. Once both screws are started, securely tighten them.

## Task 10.

- 1 Connect the black wire to 0 V.  
Connect the gray wire to 24 V.
- 2 Connect the data wire.



**CAUTION** Make sure to route the light cable sheath, not the exposed wires, around the standoffs. If the exposed wires are routed around the standoffs, they may become damaged.

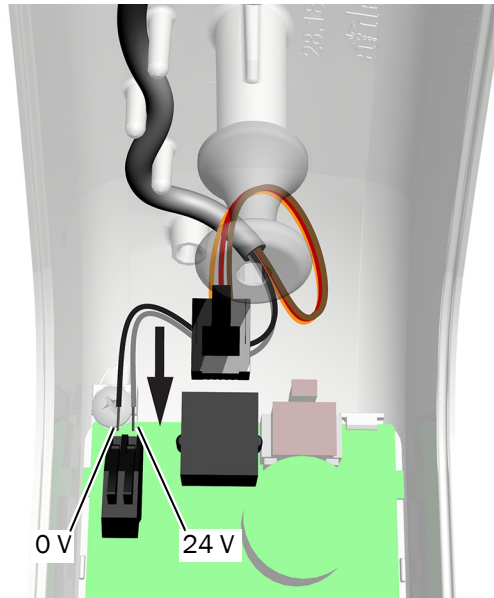
---

- 3 Route the light cable around the three standoffs.



**NOTE** Do not install the driver housing cover yet. You will install the cover after you test the light.

---





## Connect the Electrical Wires and Data Line

---

See the section for instructions on routing the light cable for the system's configuration:

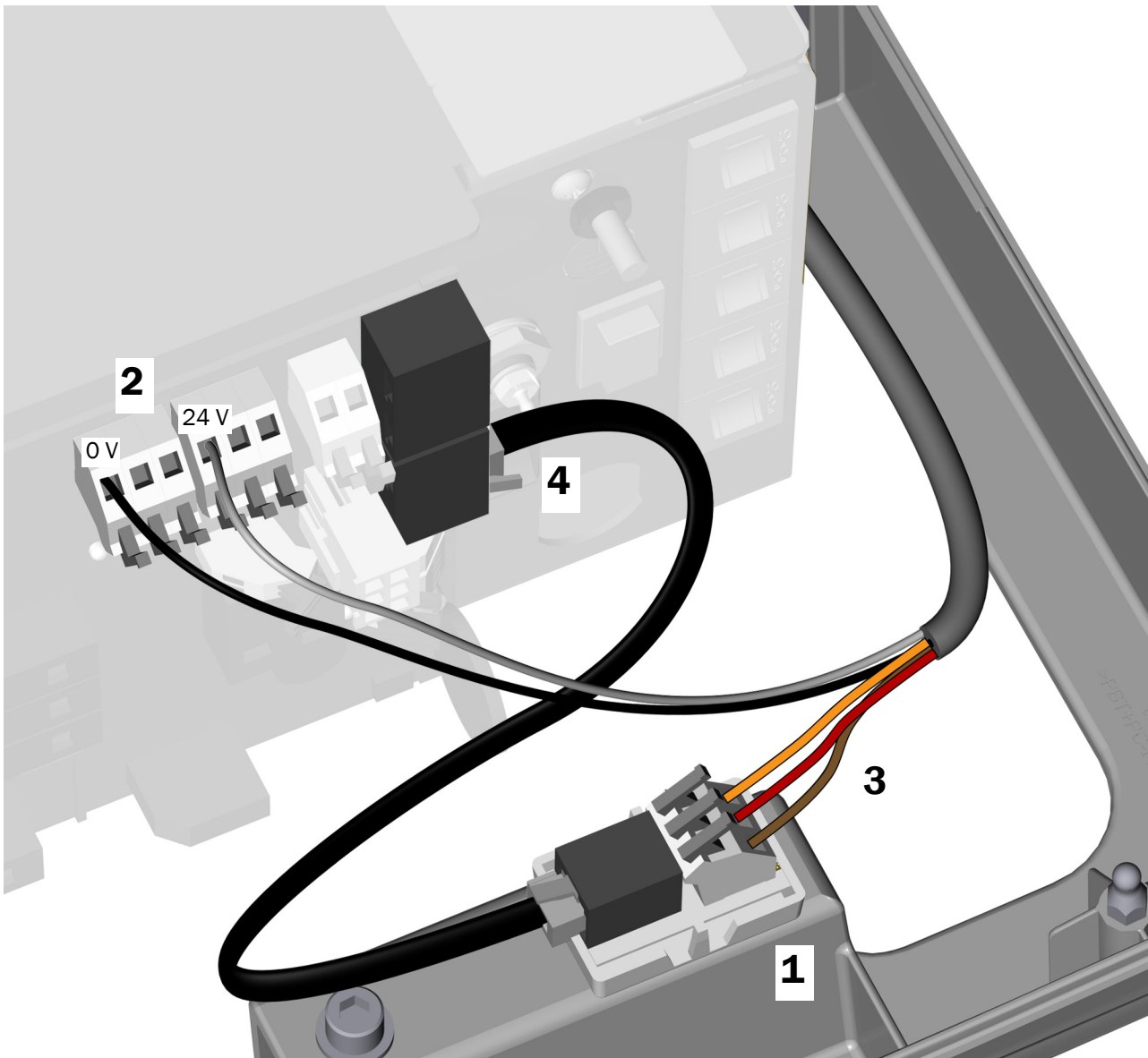
<b>A-dec 300 Base Mount Post</b> .....	<b>38</b>
<b>A-dec 361/362 Support Center</b> .....	<b>39</b>
<b>A-dec 511</b> .....	<b>40</b>
<b>A-dec Wall/Cabinet Mount</b> .....	<b>41</b>
<b>Ceiling Mount</b> .....	<b>44</b>
<b>Track Mount</b> .....	<b>47</b>
<b>A-dec 200</b> .....	<b>54</b>

## A-dec 300 Base Mount Post



**CAUTION** Do not attach the adaptor board to the top of the power supply chassis. The power supply cover will not fit.

1. Peel off the protective paper from the adaptor board (from the kit). Attach the adapter board to the floor box cover frame.
2. Connect the black wire to 0 V. Connect the gray wire to 24 V.
3. Connect the wires to the positions on the adaptor board as labeled; brown to BRN, red to RED, and orange to ORN.
4. Connect the data line jumper from the adaptor board to a data port.

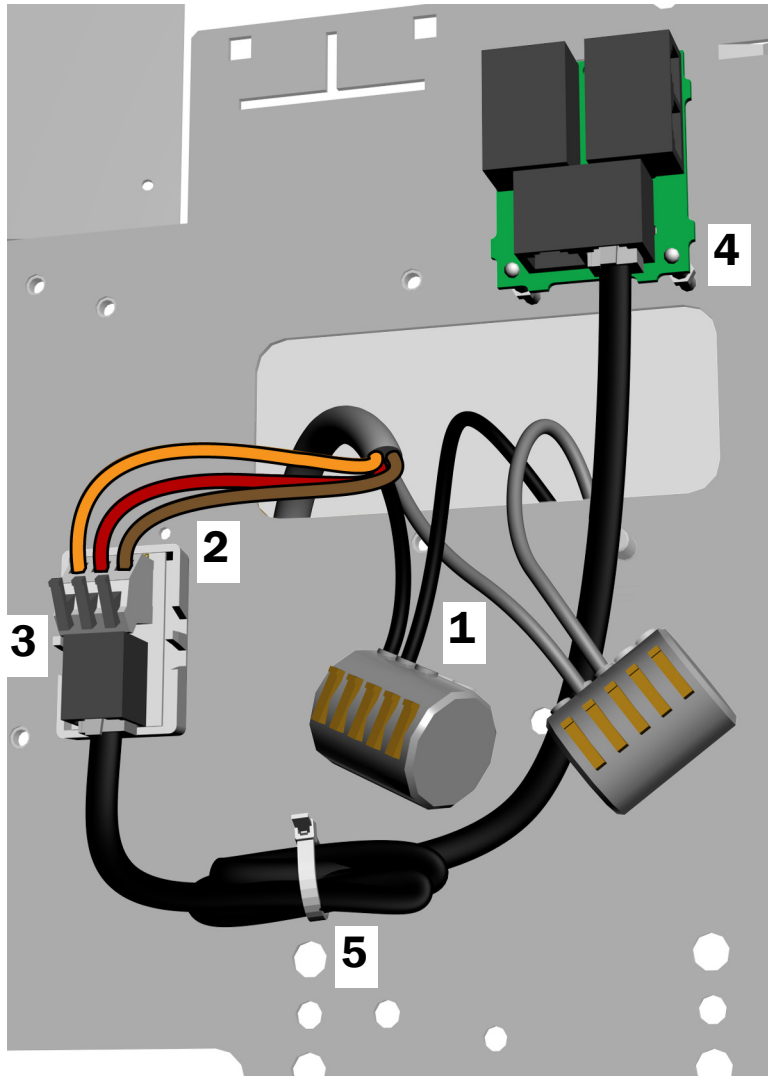


**Next Step** See "Test the Light" on page 56.

## A-dec 361/362 Support Center

Make the following connections in the support center:

1. Connect the black and gray wires to their corresponding wire connectors.
2. Connect the wires to the positions on the adaptor board (from the kit) as labeled; brown to BRN, red to RED, and orange to ORN.
3. Peel off the protective paper from the adaptor board. Attach the adapter board to the support center frame.
4. Connect the data line jumper from the adaptor board to a data port.
5. Coil and secure the excess cable.



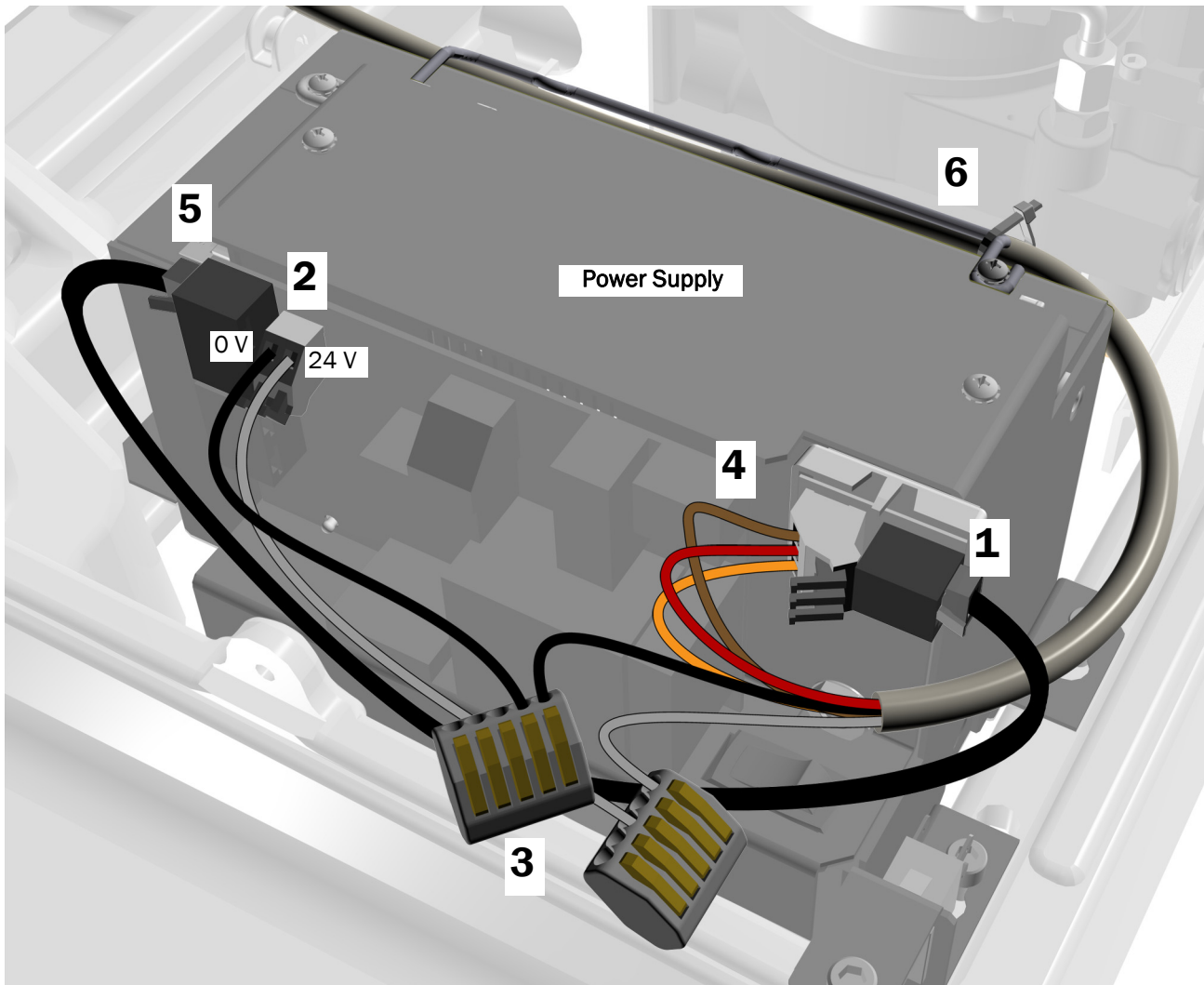
**Next Step** See "Test the Light" on page 56.

## A-dec 511



**CAUTION** Do not attach the adaptor board to the top of the power supply chassis. The pump cover will not fit.

1. Peel off the protective paper from the adaptor board (from the kit). Attach the adaptor board to the front of the power supply in the upper right corner.
2. Connect the black jumper wire from the kit to 0 V. Connect the gray jumper wire from the kit to 24 V.
3. Connect the black jumper wire to the black wire from the cable with a wire connector. Connect the gray jumper wire to the gray wire from the cable with a wire connector.
4. Connect the wires to the positions on the adaptor board as labeled; brown to BRN, red to RED, and orange to ORN.
5. Connect the data line jumper from the adaptor board to a data port.
6. Secure the cable to the bail with a cable tie.



**Next Step** See "Test the Light" on page 56.

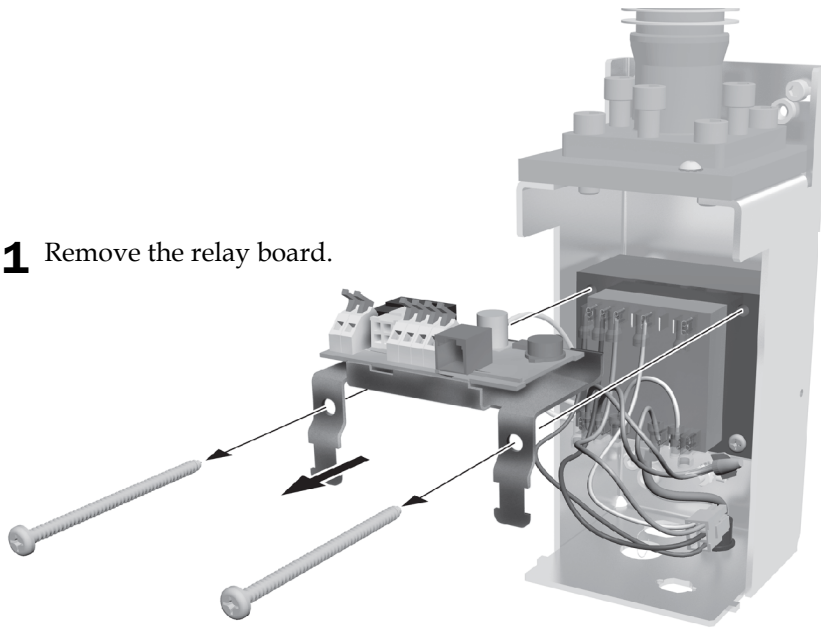
## A-dec Wall/Cabinet Mount

### Recommended Tools

- Phillips head screwdriver
- Diagonal cutters

### Task 1.

**1** Remove the relay board.

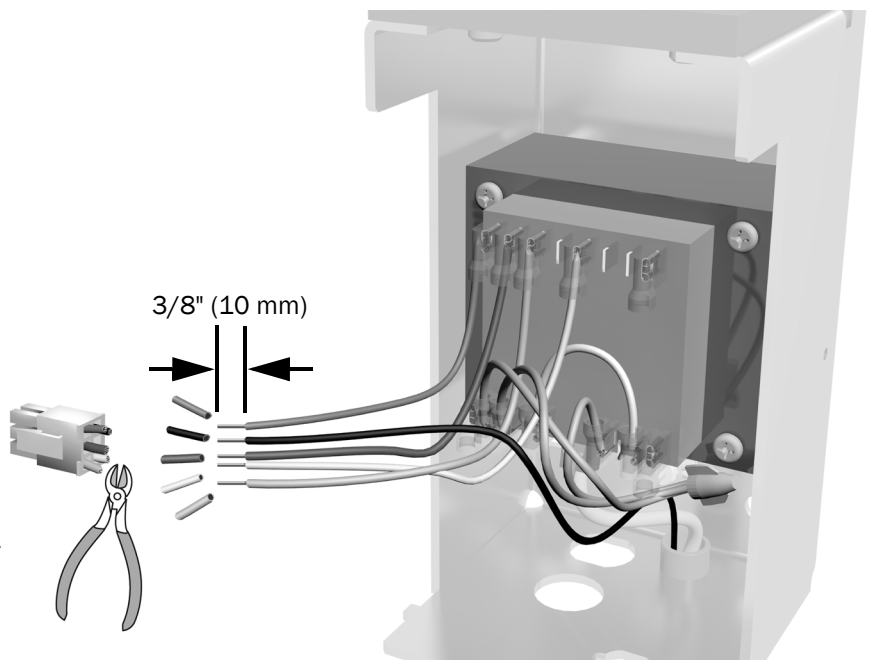


**2** Reinstall the two screws to secure the transformer.

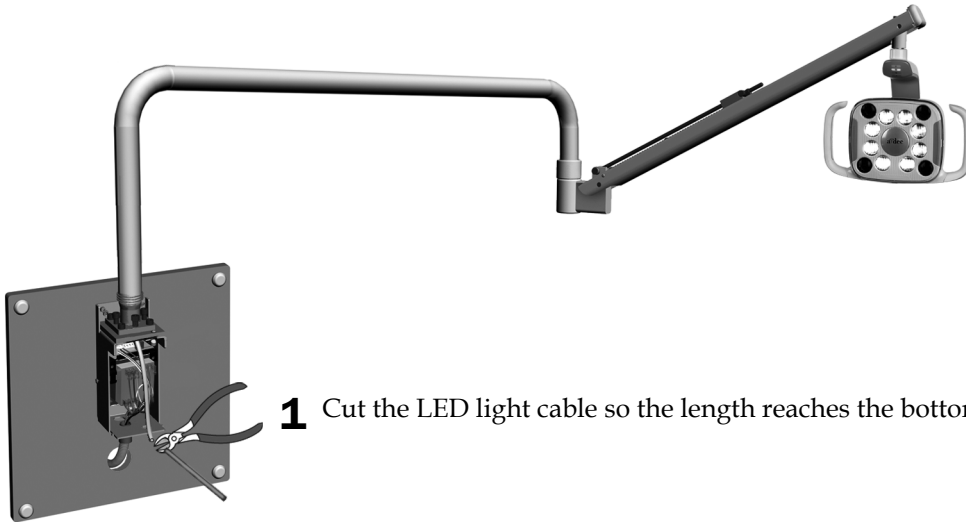
### Task 2.

**1** Cut off the white connector.

**2** Strip back the wires 3/8" (10 mm).  
The wires are 16 AWG.



### Task 3.

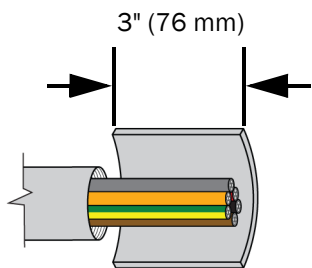


- 1 Cut the LED light cable so the length reaches the bottom of the transformer housing.

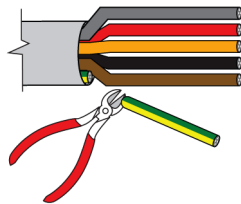
### Task 4.



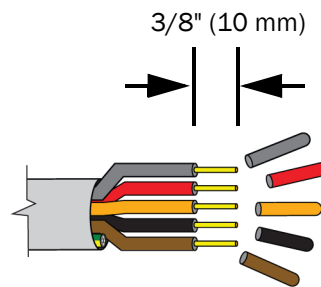
**CAUTION** To strip the cable sheath, use a proper cable stripping tool and technique to ensure the insulation of the inner conductors is not cut or otherwise compromised.



- 1 At the cut end of the cable, strip the sheath back 3" (76 mm).



- 2 Cut the green/yellow wire at the sheath.



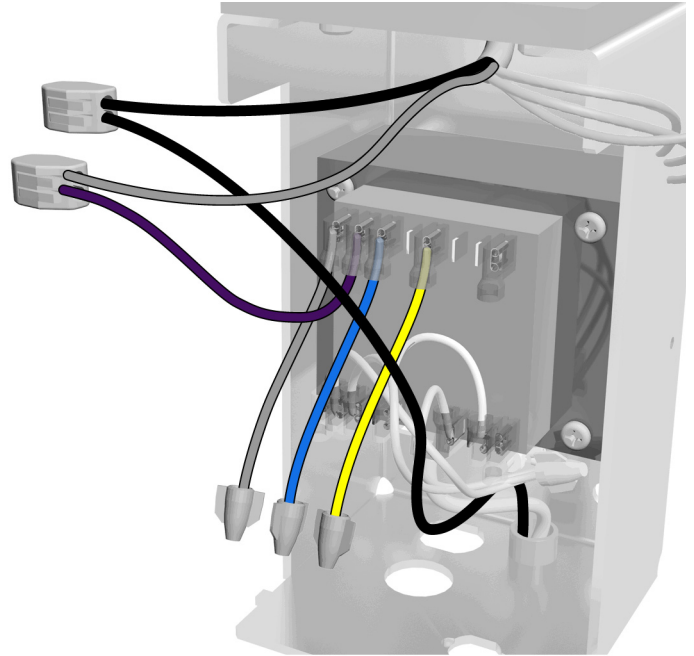
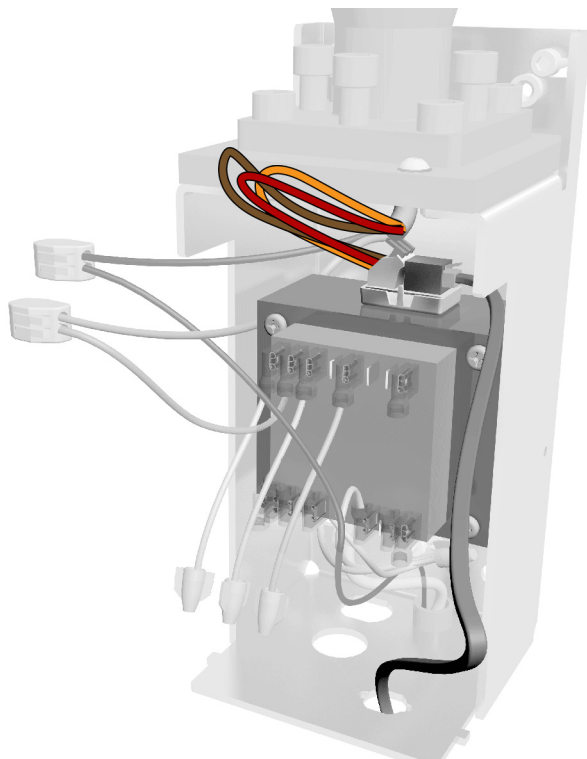
- 3 Strip back the remaining wires 3/8" (10 mm). The black and gray wires are 22 AWG and the brown, red, and orange wires are 26 AWG.

**Task 5.**

- 1 Cap the yellow, blue, and gray wires from the transformer with wire nuts.

**NOTE** The gray wires do not connect to each other for this configuration.

- 2 Connect the black wires with a wire connector.
- 3 Connect the gray wire from the light cable to the violet wire from the transformer with a wire connector.

**Task 6.**

- 1 Connect the light wires to the positions on the adaptor board (from the kit) as labeled; brown to BRN, red to RED, and orange to ORN.
- 2 Connect the data line.
- 3 Peel off the protective paper from the adaptor board. Attach the adaptor board.

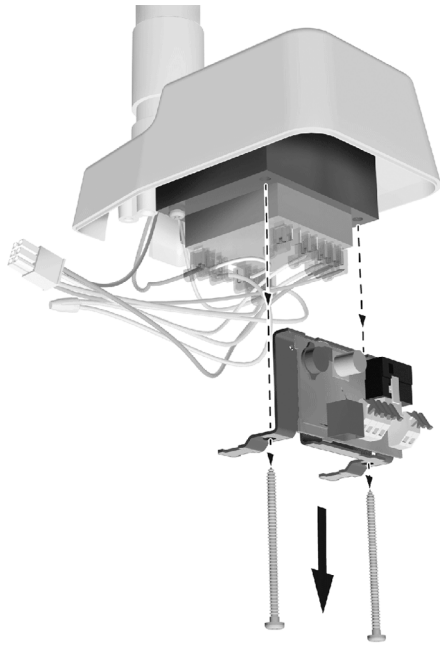
**Next Step** See "Test the Light" on page 56.

## Ceiling Mount

### Recommended Tools

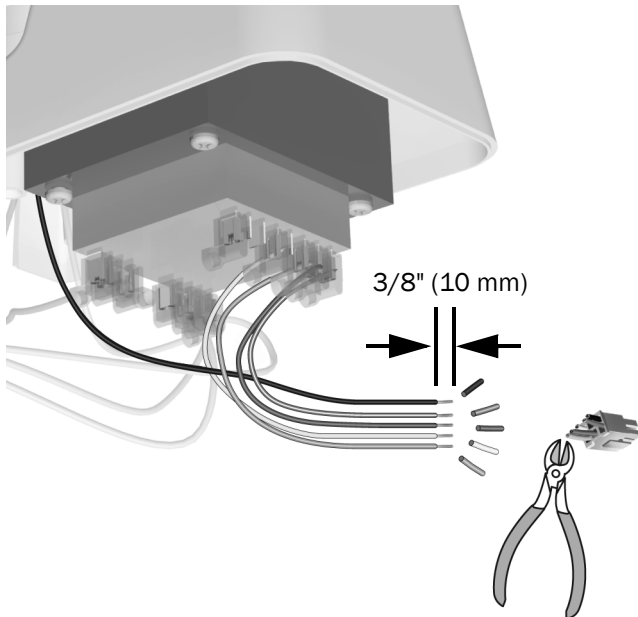
- Phillips head screwdriver
- Diagonal cutters

### Task 1.



- 1** Remove the relay board.
- 2** Reinstall the two screws to secure the transformer.

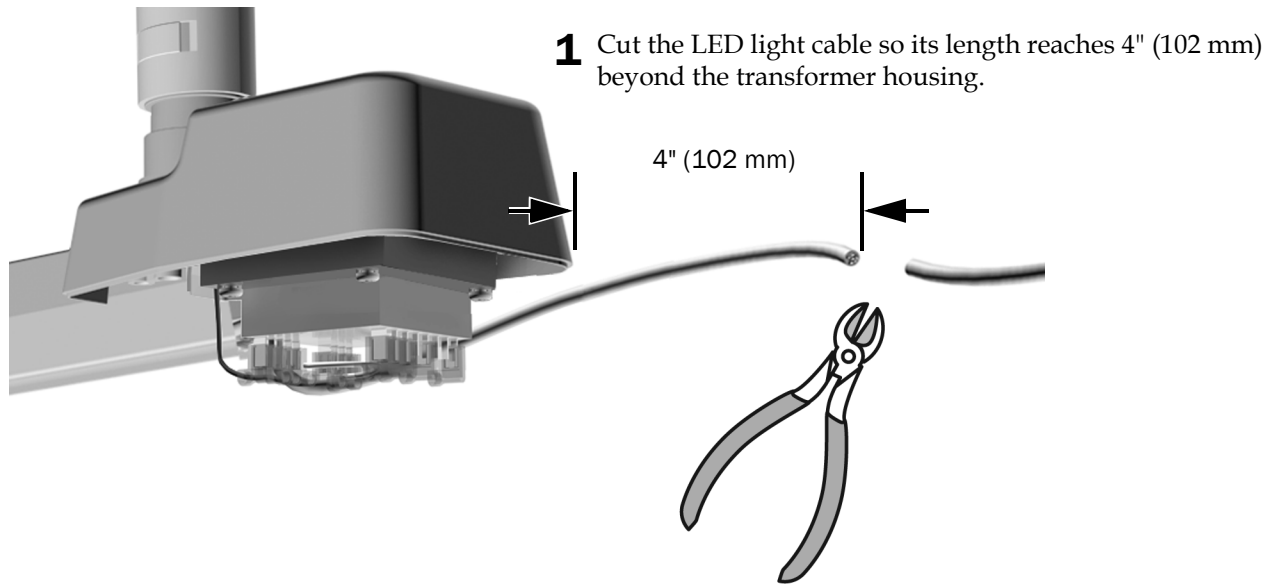
### Task 2.



- 1** Cut off the white connector.
- 2** Strip back the wires 3/8" (10 mm). The wires are 16 AWG.



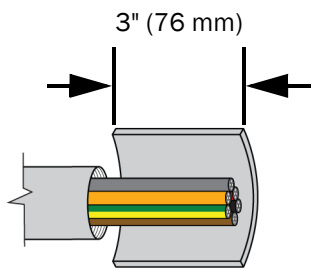
**Task 3.**



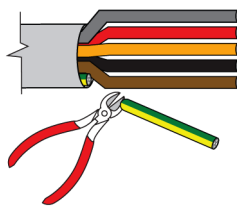
**Task 4.**



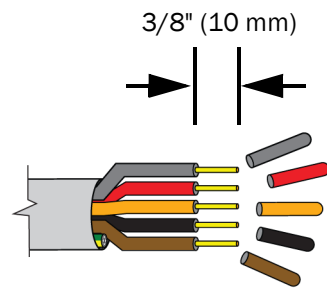
**CAUTION** To strip the sheath, use a proper cable stripping tool and technique to ensure the insulation of the inner conductors is not cut or otherwise compromised.



**1** At the cut end of the cable, strip the sheath back 3" (76 mm).



**2** Cut the green/yellow wire at the sheath.



**3** Strip back the remaining wires 3/8" (10 mm). The black and gray wires are 22 AWG and the brown, red, and orange wires are 26 AWG.

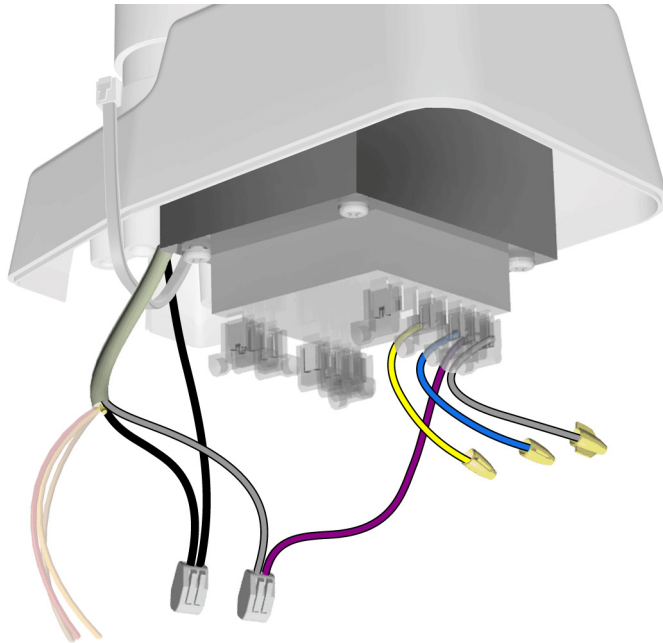
### Task 5.

- 1 Cap the yellow, blue and gray wires from the transformer with wire nuts.



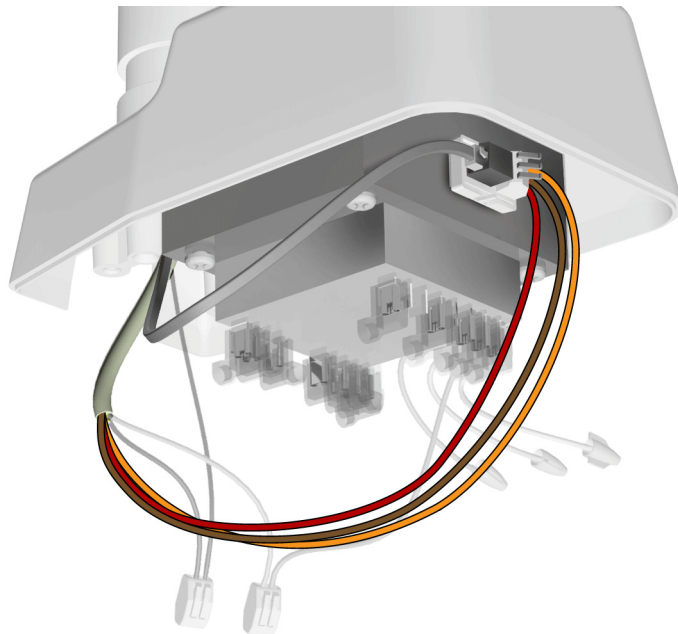
**NOTE** The gray wires do not connect to each other for this configuration.

- 2 Connect the black wires with a wire connector.
- 3 Connect the gray wire from the light cable to the violet wire from the transformer with a wire connector.



### Task 6.

- 1 Connect the light wires to the positions on the adaptor board (from the kit) as labeled; brown to BRN, red to RED, and orange to ORN.
- 2 Connect the data line.
- 3 Peel off the protective paper from the adaptor board. Attach the adaptor board.



**Next Step** See "Test the Light" on page 56.

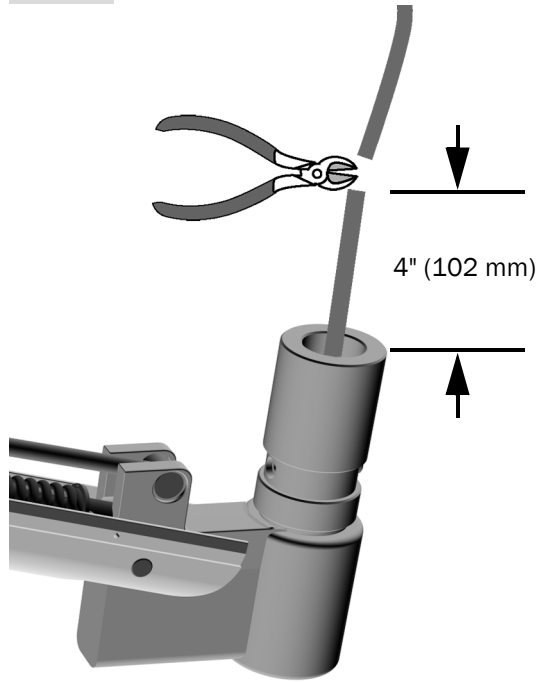
## Track Mount

### Install the Flexarm Assembly

#### Recommended Tools

- Diagonal cutters
- 1/16" hex key

#### Task 1.

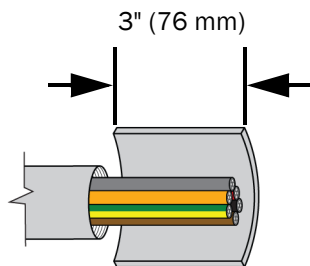


- 1 Cut the cable so its length reaches 4" (102 mm) beyond the flexarm knuckle.

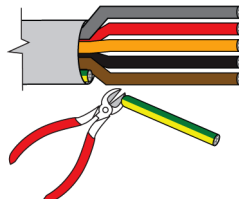
#### Task 2.



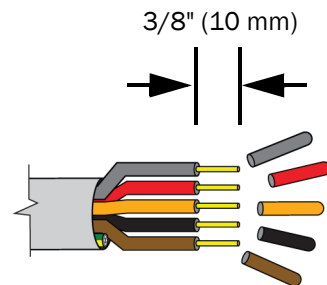
**CAUTION** To strip the sheath, use a proper cable stripping tool and technique to ensure the insulation of the inner conductors is not cut or otherwise compromised.



- 1 At the cut end of the cable, strip the sheath back 3" (76 mm).



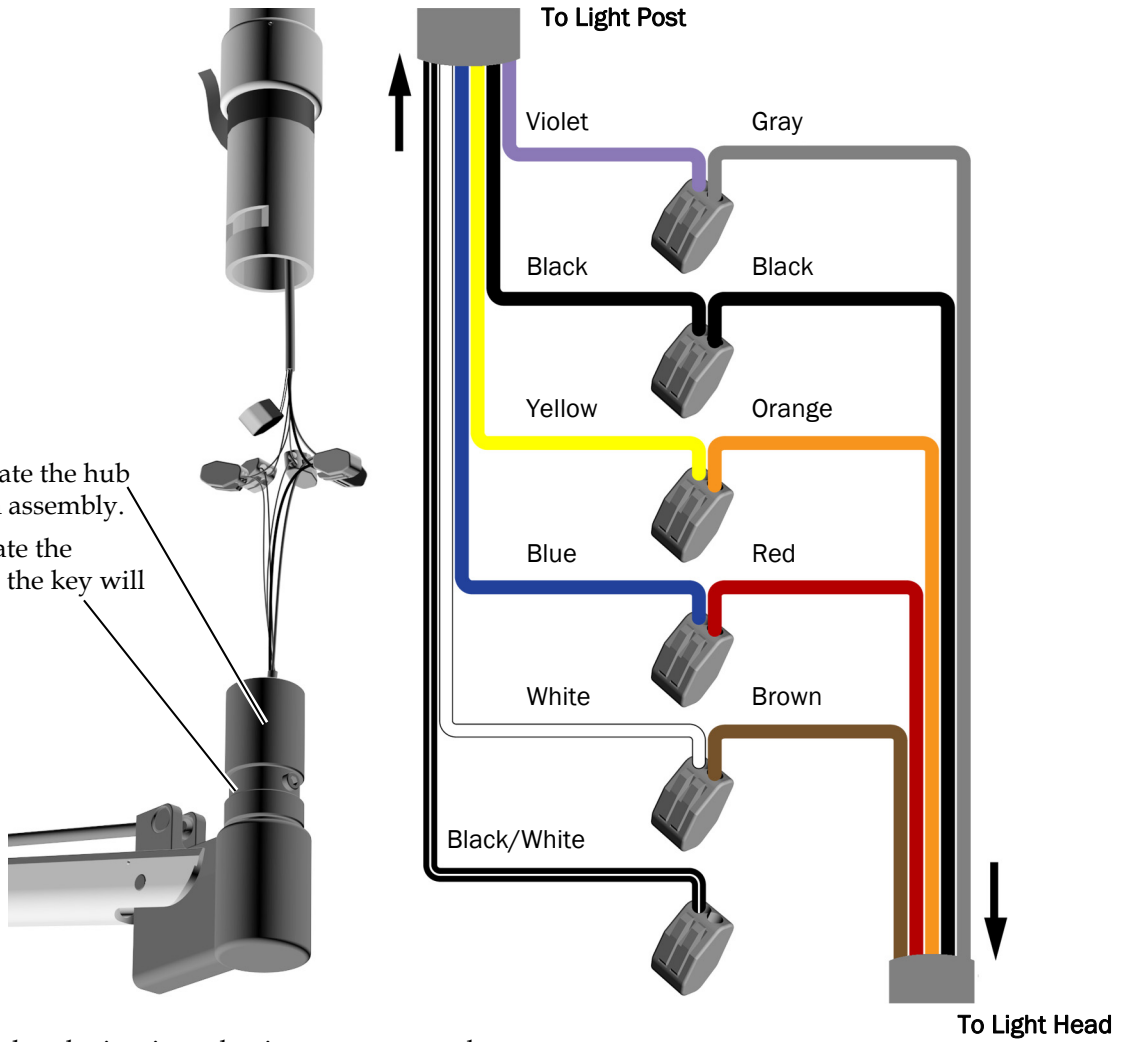
- 2 Cut the green/yellow wire at the sheath.



- 3 Strip back the remaining wires 3/8" (10 mm). The black and gray wires are 22 AWG and the brown, red, and orange wires are 26 AWG.

**Task 3.**

- 1** Lightly lubricate the hub of the flexarm assembly.  
Do not lubricate the groove where the key will sit.



- 2** Connect the colored wires in each wire connector as shown.

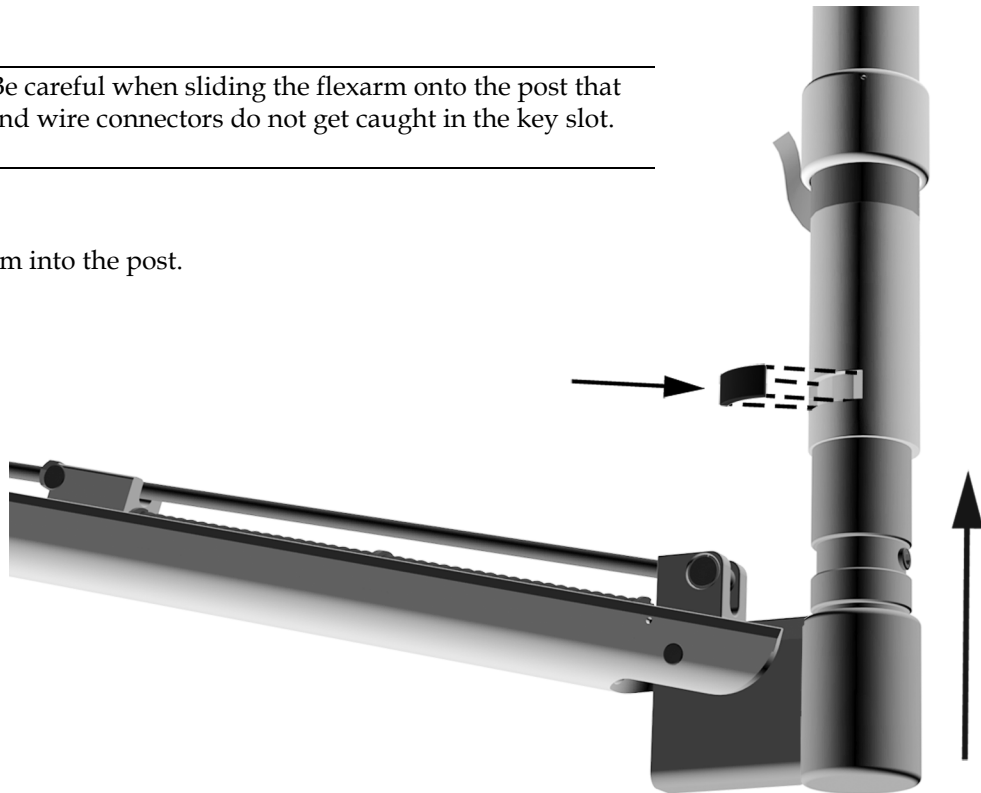
#### Task 4.



**CAUTION** Be careful when sliding the flexarm onto the post that the wires and wire connectors do not get caught in the key slot.

**1** Slide the flexarm into the post.

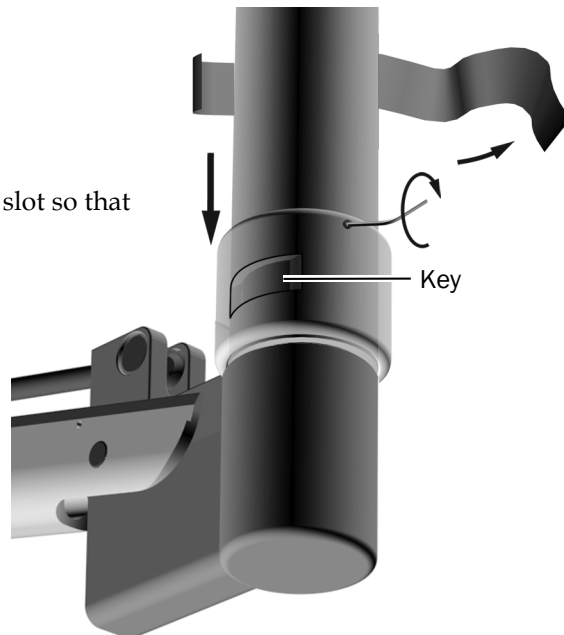
**2** Insert the key.



#### Task 5.

**1** Remove the tape. Lower the collar over the slot so that the setscrew is not over the key.

**2** Firmly tighten the setscrew.



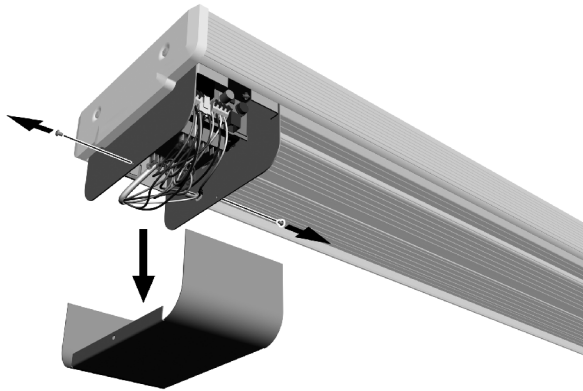
## Connect the Wires at the Transformer

### Recommended Tools

- 5/64" hex key
- Phillips head screwdriver
- Diagonal cutters

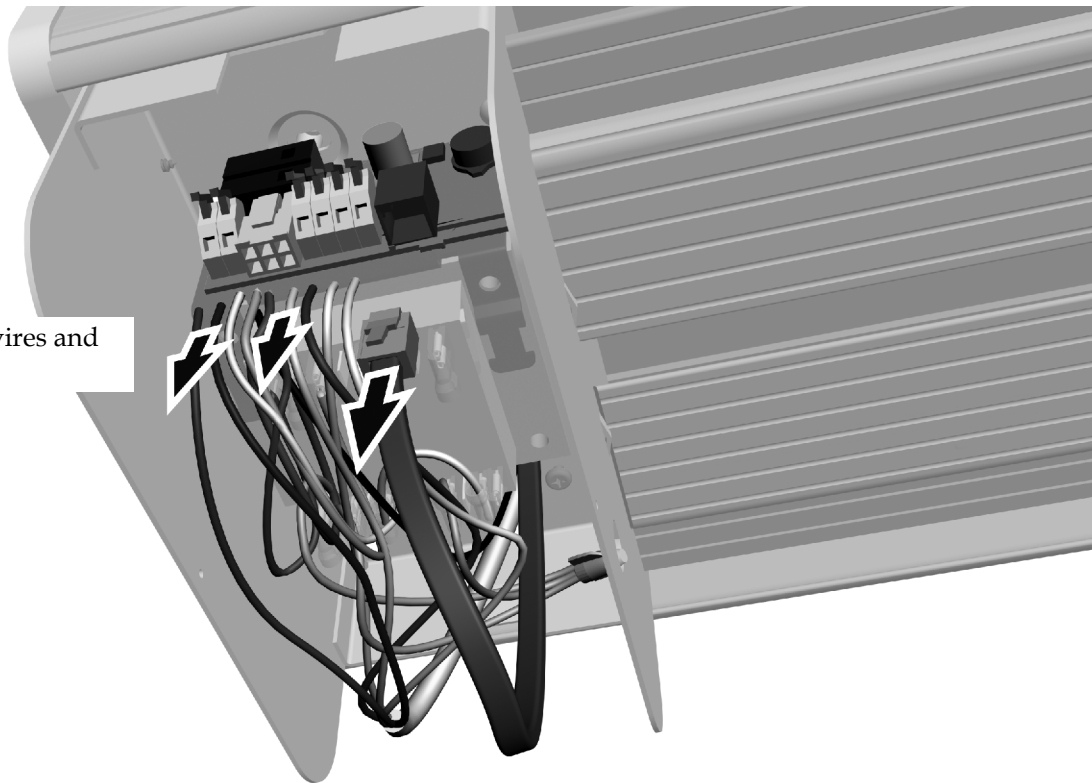
### Task 1.

- 1 Remove the transformer cover.

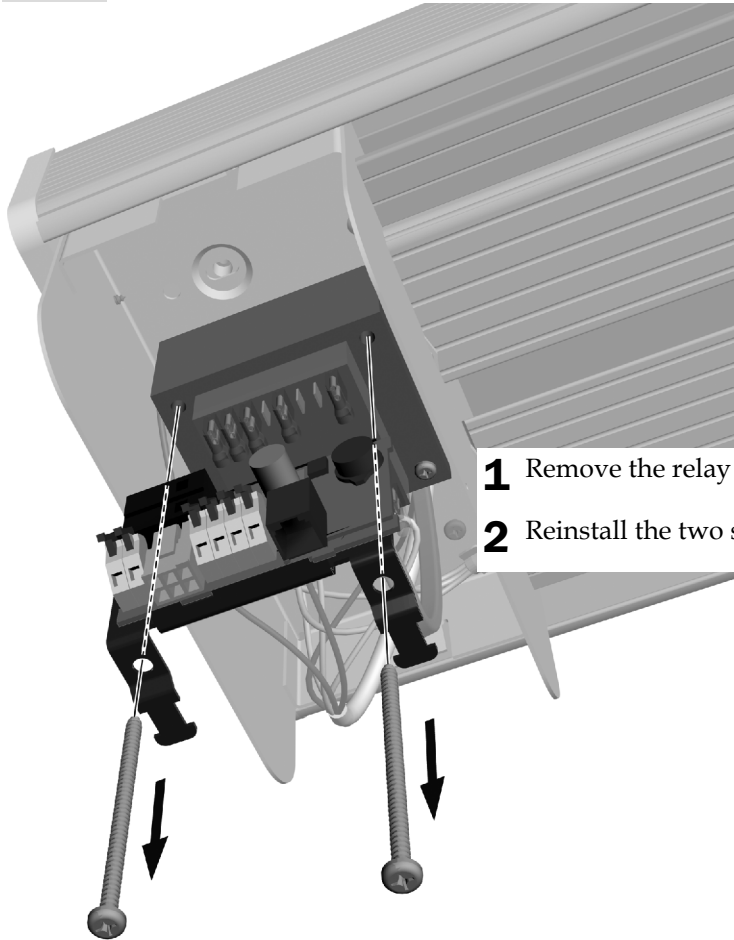


### Task 2.

- 1 Disconnect the wires and data line.



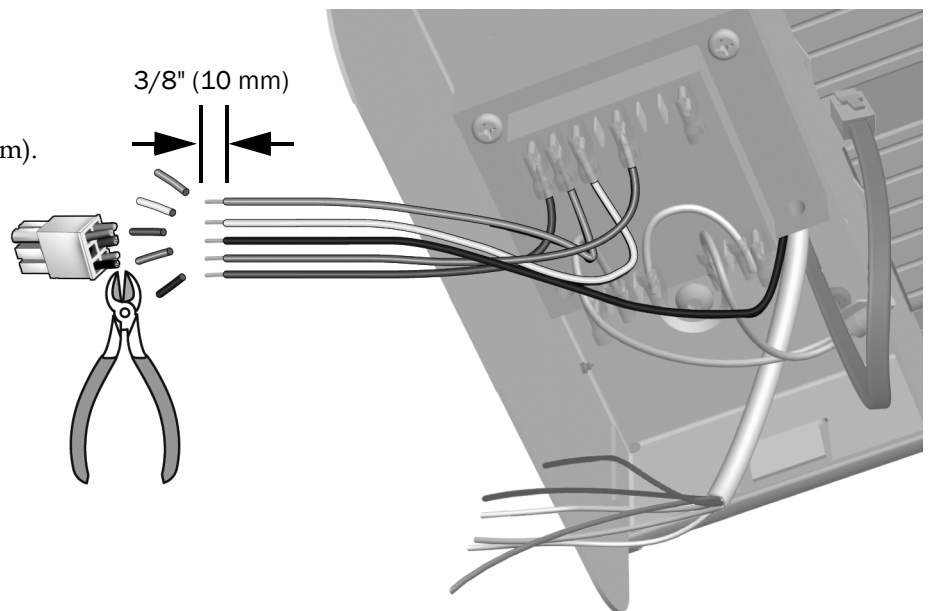
**Task 3.**



- 1** Remove the relay board.
- 2** Reinstall the two screws to secure the transformer.

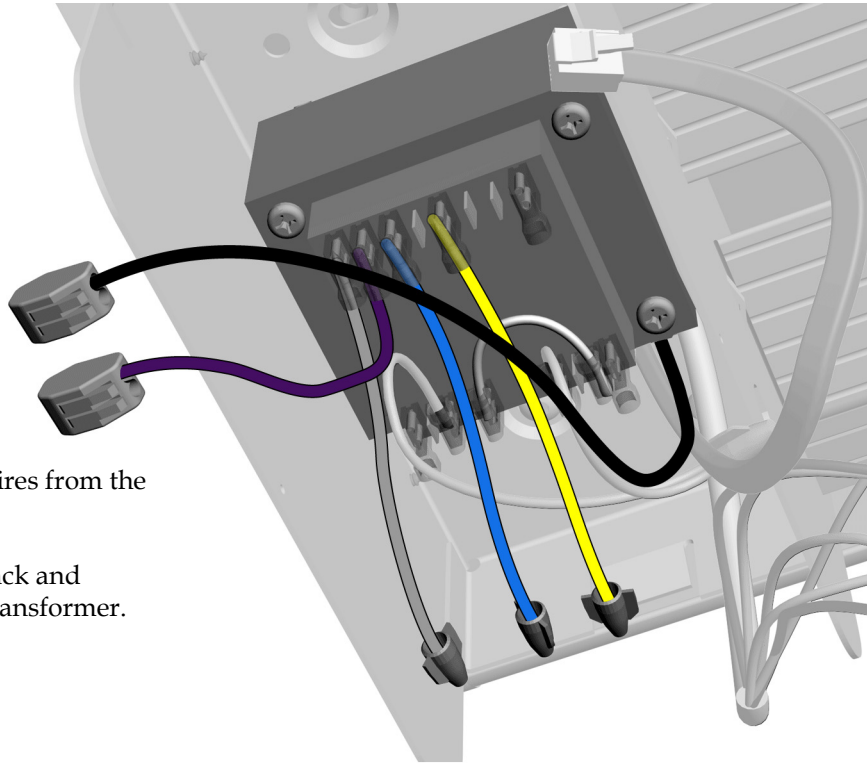
**Task 4.**

- 1** Cut off the white connector.
- 2** Strip back the wires 3/8" (10 mm). The wires are 16 AWG.



**Task 5.**

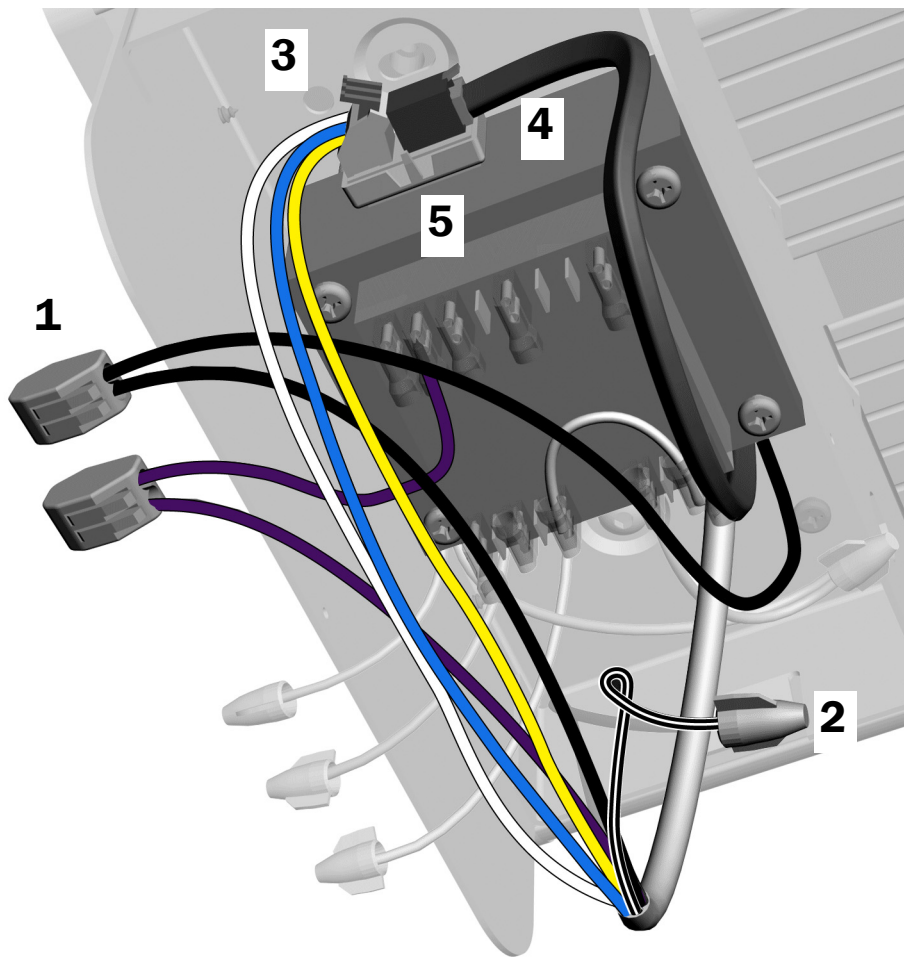
- 1** Cap the gray, blue, and yellow wires from the transformer with wire nuts.
- 2** Attach a wire connector to the black and violet wires that come from the transformer.





### Task 6.

1. Connect the black and violet wires from the light cable to their corresponding wire connectors.
2. Cap the black/white wire with a wire nut.
3. Connect the remaining light cable wires to the positions on the adaptor board (from the kit) as labeled; white to BRN, blue to RED, and yellow to ORN.
4. Connect the data line.
5. Peel off the protective paper from the adaptor board. Attach the adaptor board.



**Next Step** See "Test the Light" on page 56.

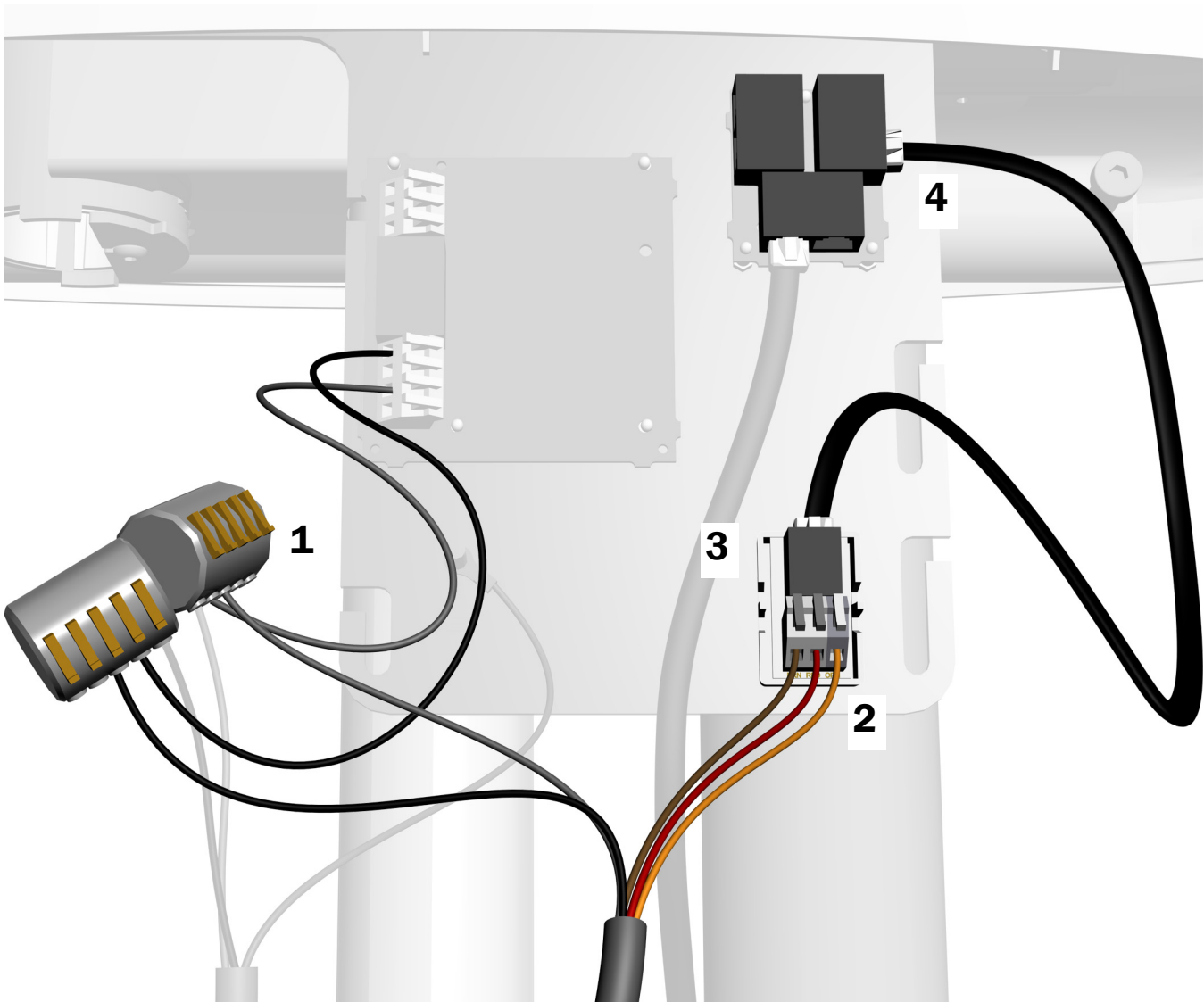
## A-dec 200

### Recommended Tool

- Phillips head screwdriver

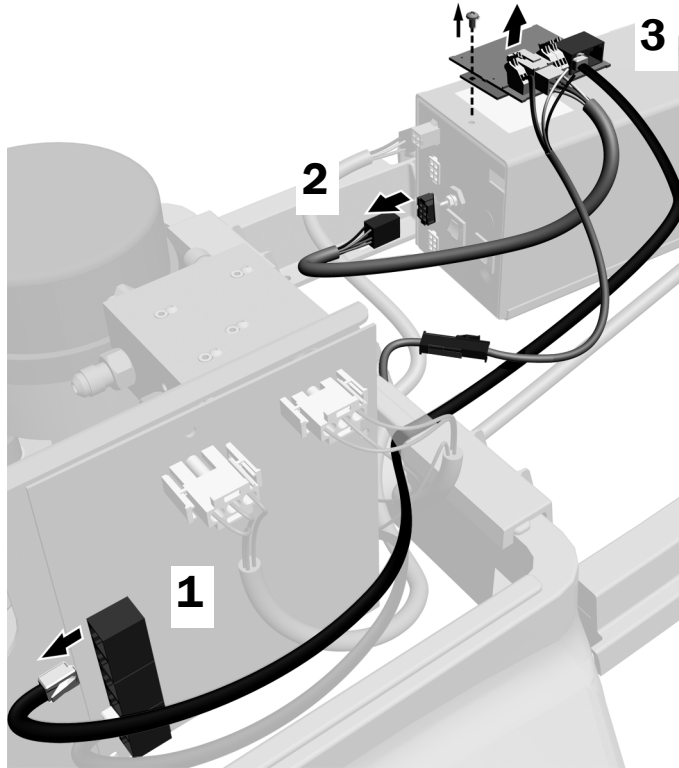
### Task 1.

1. In the support center, connect the black and gray wires to their corresponding wire connectors.
2. Connect the wires to the positions on the adaptor board (from the kit) as labeled; brown to BRN, red to RED, and orange to ORN.
3. Peel off the protective paper from the adaptor board. Attach the adaptor board toward the bottom of the relay board frame.
4. Connect the data line jumper from the adaptor board to a data port.
5. Coil and secure the excess cable.

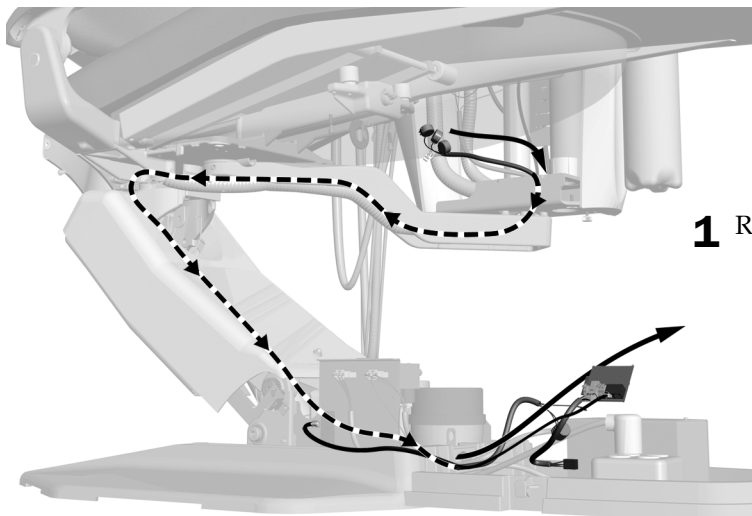


### Task 2.

1. Disconnect the data line.
2. Disconnect the jumper wire.
3. Uninstall the relay board.
4. Replace the screw in the top of the power supply.



### Task 3.



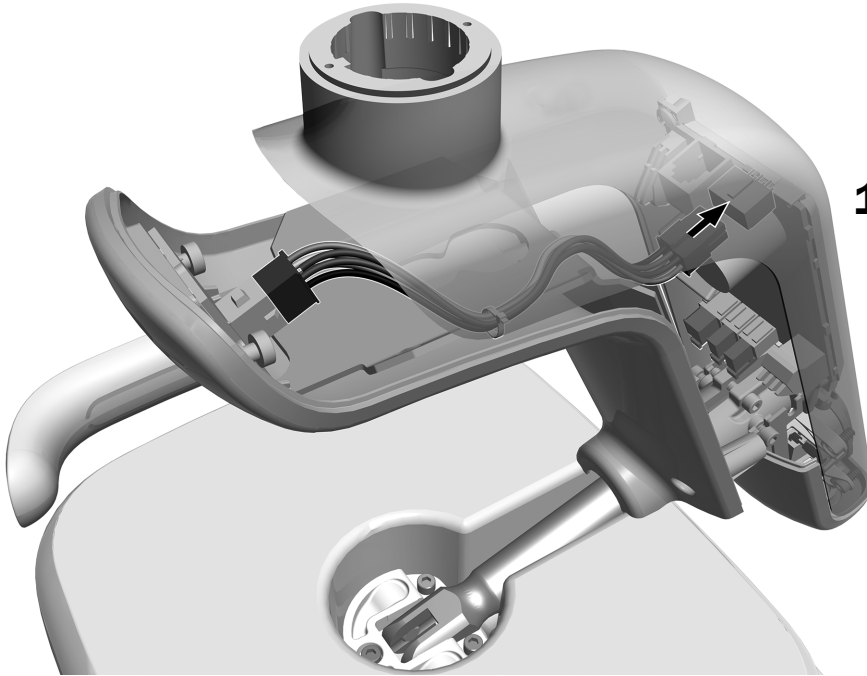
- 1 Remove the relay board, data line, and cable.

**Next Step** See "Test the Light" on page 56.

# Test the Light

---

## Task 1.



**1** Plug in the indicator wire assembly.

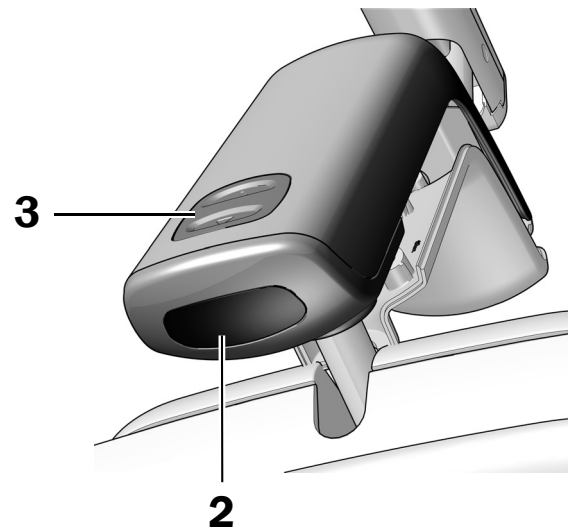
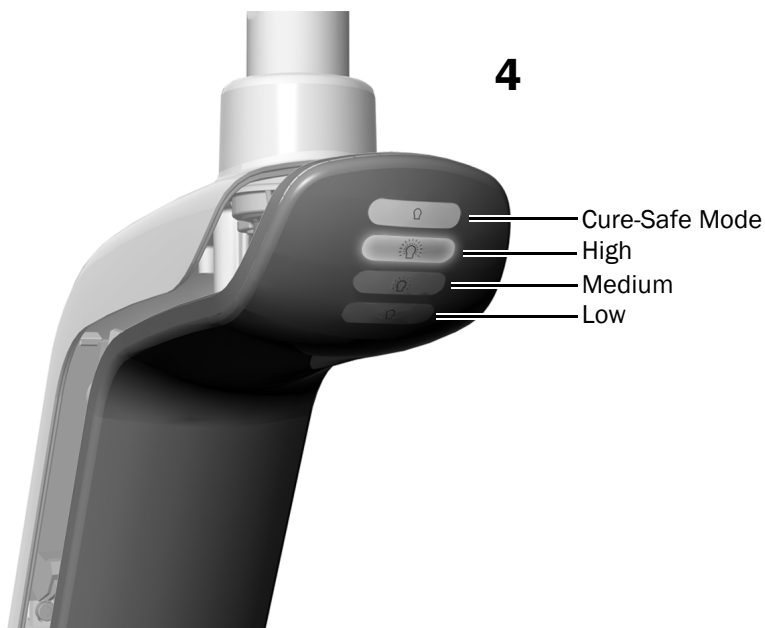
Perform the procedures appropriate to your light:

<b>Test the Light From the Light Head</b> .....	<b>57</b>
<b>Test the Light From the Touch Control</b> .....	<b>58</b>

## Test the Light From the Light Head

### Task 1.

1. Turn on the system.
2. Move your hand within 3" (76 mm) of the touchless on/off sensor to turn on the light.
3. Press the mode buttons to test the light in each mode.
4. For each mode, verify that the correct light on the driver housing cover is illuminated.
5. If it doesn't work properly, check the wire connections.



**Next Step** See "Test the Light From the Touch Control" on page 58.

## Test the Light From the Touch Control

See the section for the type of control interface on your system.



**NOTE** Touch control symbols and icons are proprietary to A-dec, Inc.

### DS7/CP5i/CP5 Touch Controls



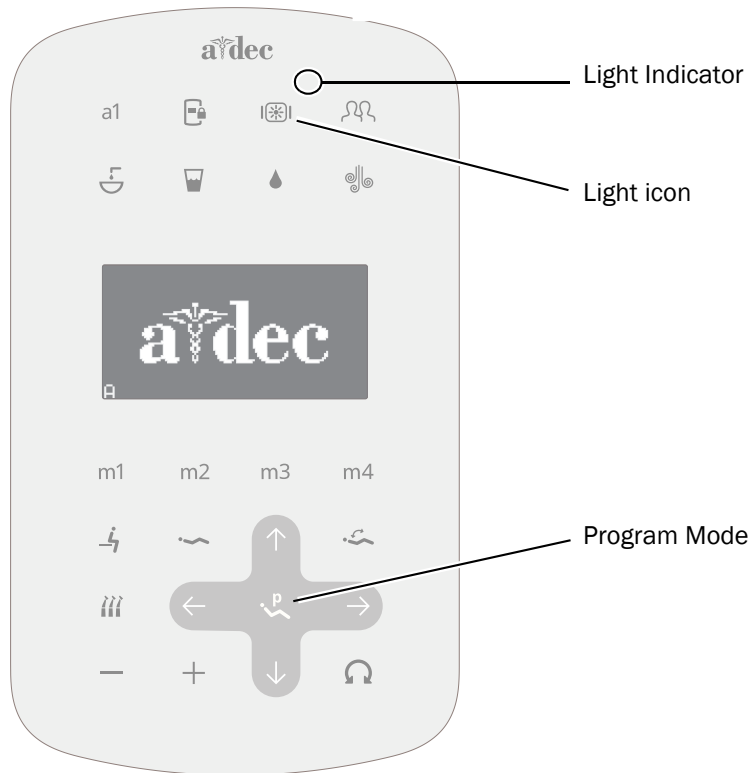
For touchscreen and control pad use, see the *A-dec Touchscreens and Control Pads Instructions for Use* (p/n 86.0857.00) at [a-dec.com/touchscreen-manual](http://a-dec.com/touchscreen-manual).

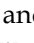


For configuring connectivity features, see the *A-dec+™ Instructions for Use* (p/n 86.1030.00) at [a-dec.com/connectivity-manual](http://a-dec.com/connectivity-manual).






## A-dec 500 Deluxe Plus Touchpad



- 1** Turn on the power to the system.
- 2** Repeatedly press and release  to verify the light turns on and toggles between the intensity modes: high, medium, low, and cure-safe mode.



**NOTE** When the light is in cure-safe mode, the light indicator on the touchpad flashes.

- 3** Press and hold  to turn off the light.
- 4** Press and hold  and  at the same time until the system beeps to disable or enable the auto on/off function.
  - **One beep** indicates this function is off.
  - **Three beeps** indicate this function is on.

## Prepare and Adjust the Light

---

### Adjust the Rotation Tension

Test the rotation tension of the light head. If it needs to be adjusted, follow the directions for the type of tension that you will adjust.

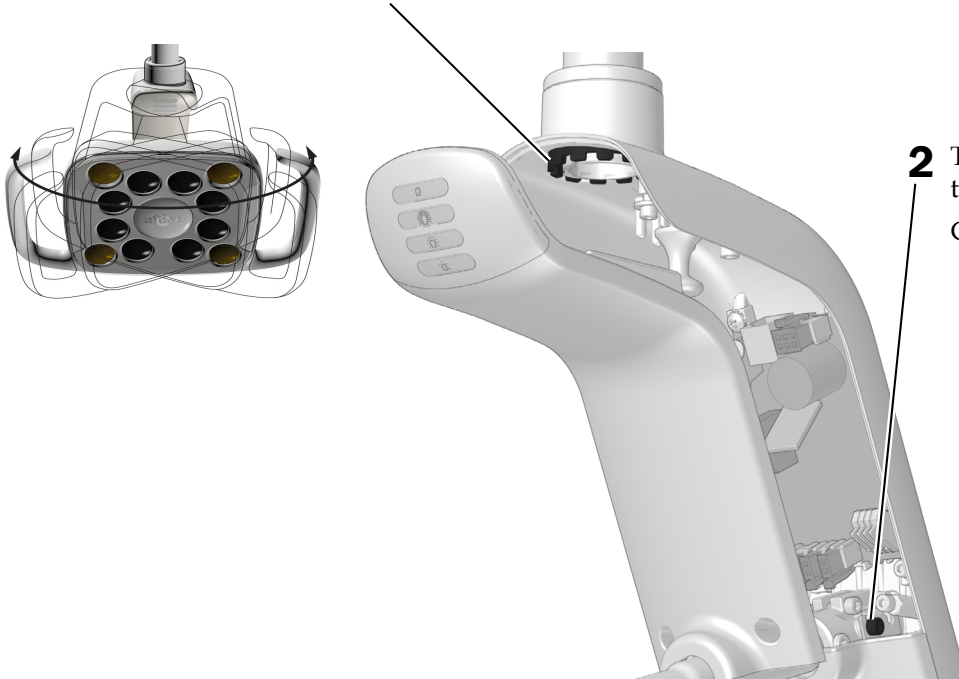
#### Recommended Tool

- 7/64" hex key

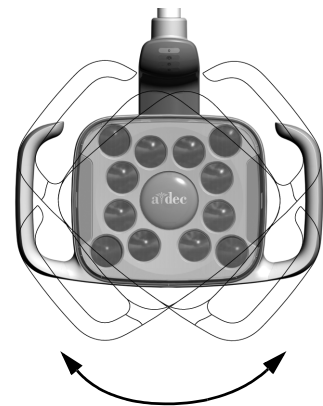
### Adjust the Horizontal and Diagonal Tension

#### Task 1.

- 1** To adjust horizontal tension, rotate the friction adjustment. Clockwise increases the tension.



- 2** To adjust diagonal tension, turn the setscrew. Clockwise increases the tension.





## Reinstall the Driver Housing Cover



**WARNING** Shock hazard. When you remove or replace the covers, take care not to damage any wiring or tubing. Verify that the covers are secure after you replace them.

### Task 1.

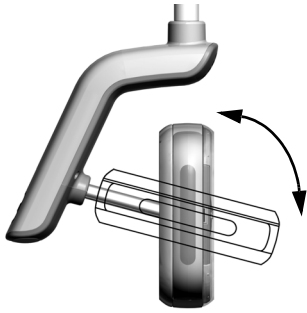


- 1** Position the driver housing cover so the keyhole fits around the post; then push the driver housing cover into position with your palm.



- 2** Use two screws to secure the cover.

## Adjust the Vertical Tension



- 1** To adjust the tension, turn the screw. Clockwise increases the tension.



## Adjust the Dental Light Flexarm Counterbalance

Check the dental light flexarm for drift. If the dental light drifts, complete the following steps to adjust the flexarm counterbalance.

### Recommended Tools

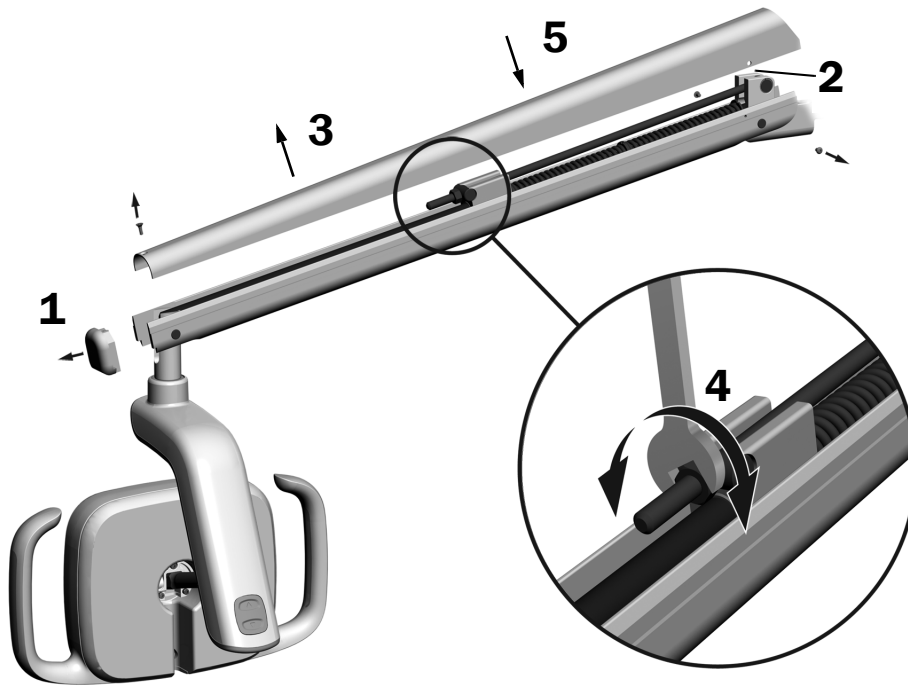
- Phillips head screwdriver
- 5/64" hex key
- 1/2" combination wrench

1. Remove the end cap.
2. Remove the two screws that secure the cover.
3. Remove the cover.
4. Adjust the nut on the end of the spring.

If the dental light drifts up, turn the nut counterclockwise.

If the dental light drifts down, turn the nut clockwise.

5. Set the cover back onto the flexarm (but do not reattach it yet). Check for drift.
6. Repeat steps 4 and 5 until drift is eliminated.



**NOTE** An optional travel stop limit kit (p/n 90.1044.00) can be installed to limit the upward and downward motion of the flexarm.

## Regulatory Information and Warranty

---

For required regulatory information and the A-dec warranty, see the *Regulatory Information, Specifications, and Warranty* document (p/n 86.0221.00) available in the Resource Center at [www.a-dec.com](http://www.a-dec.com).



For quick access to this document online, scan, tap, or click this QR code, which points to [a-dec.com/regulatory-guide](http://a-dec.com/regulatory-guide).

*All trademarks cited herein are the property of their respective owners.*



**A-dec Headquarters**

2601 Crestview Drive  
Newberg, OR 97132 USA  
Tel: 1.800.547.1883 Within USA/CAN  
Tel: +1.503.538.7478 Outside USA/CAN  
[www.a-dec.com](http://www.a-dec.com)

*A-dec, Inc. makes no warranty of any kind with regard to the content in this document including, but not limited to, the implied warranties of merchantability and fitness for a particular purpose.*



86.0325.00 Rev F  
Date of Issue 2022-11-30  
Copyright 2022 A-dec, Inc.  
All rights reserved.  
IGrphpor22