



# A-dec® 371L/571L Dental Light on A-dec 500 Support Arm

## INSTALLATION GUIDE

### Product Models and Versions Covered in this Document

Model	Versions	Description
511	A	Dental Chair
371L	A	Dental Light
571L	A	Dental Light



## Before You Begin



**WARNING** Failure to turn off or disconnect the power before you begin this procedure can lead to product damage and result in serious injury or death.



**ATTENTION** Circuit boards are sensitive to static electricity. Electrostatic Discharge (ESD) precautions are required when touching a circuit board or making connections to or from the circuit board. Circuit boards should be installed only by an electrician or qualified service person.

1. Turn off the power to the system before you begin the installation.

## Install the Light

---



**NOTE** The instructions in this installation guide apply equally to the 371L and 571L dental lights, except where noted.

---

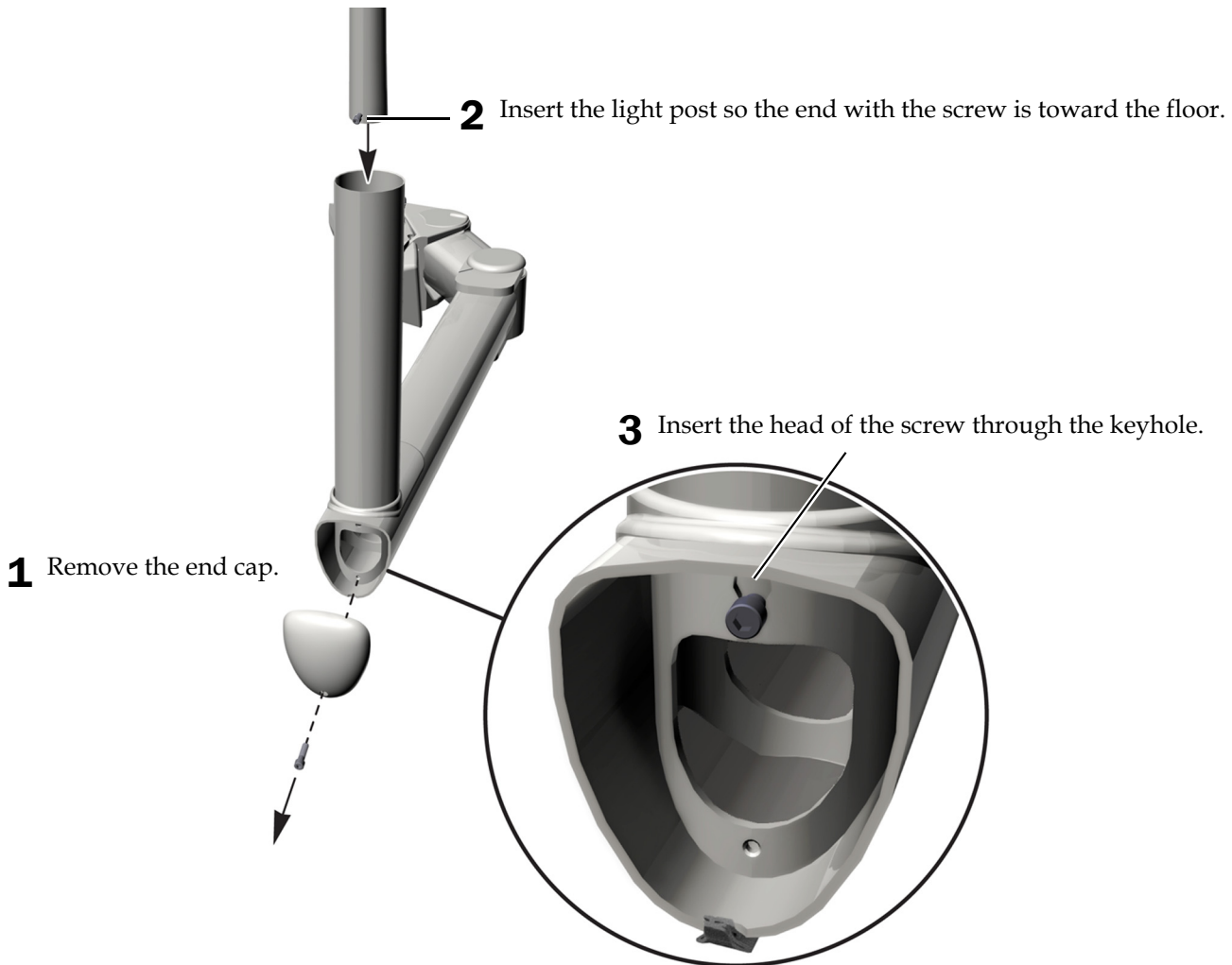
The steps for installing the dental light are the same for all system configurations. This document depicts a system with a light but no support center or cuspidor.

### Recommended Tools

- 5/32" and 3/16" hex keys
- Standard screwdriver

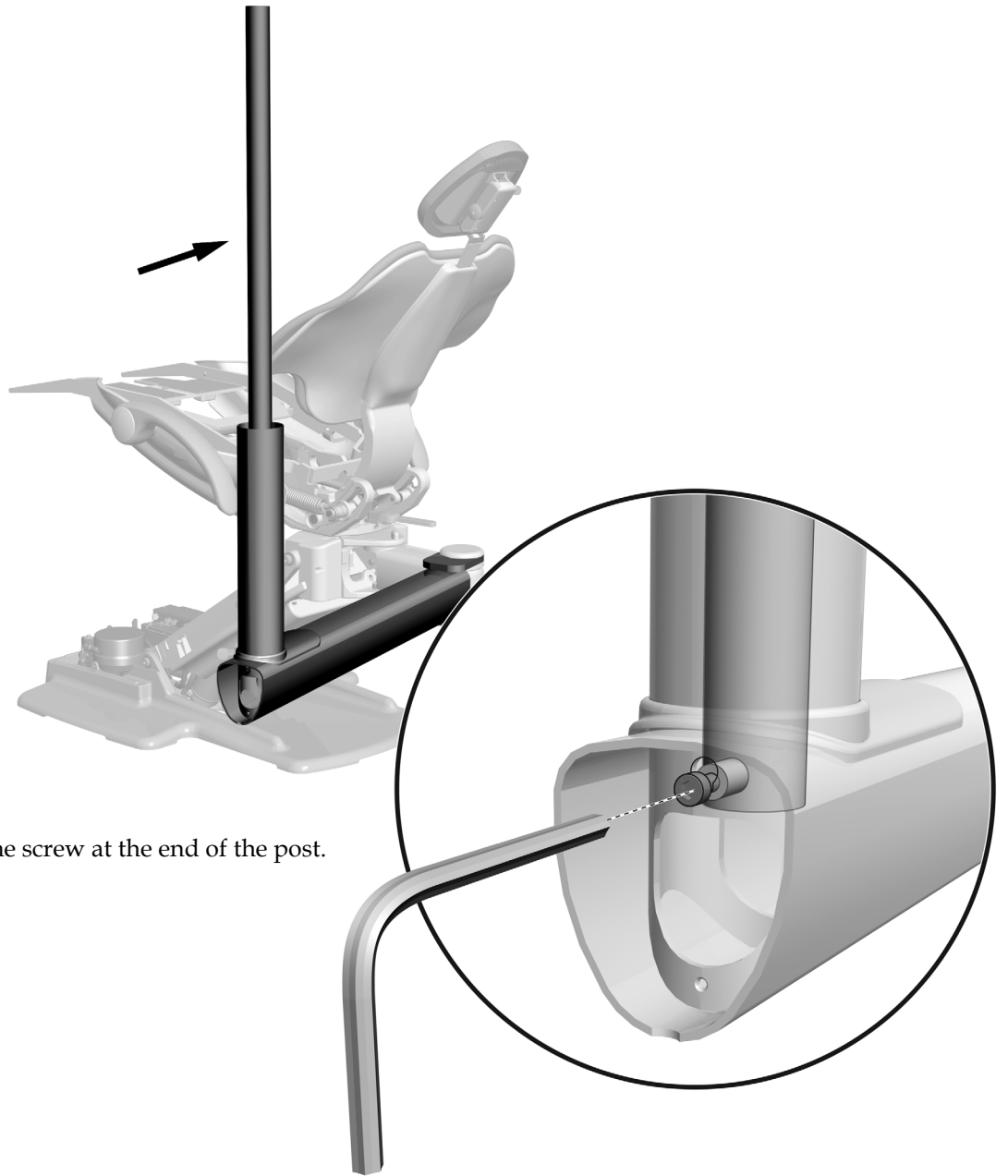
### Install the Light

#### Task 1.



**Task 2.**

**1** Push the top of the post away from the end of the arm.



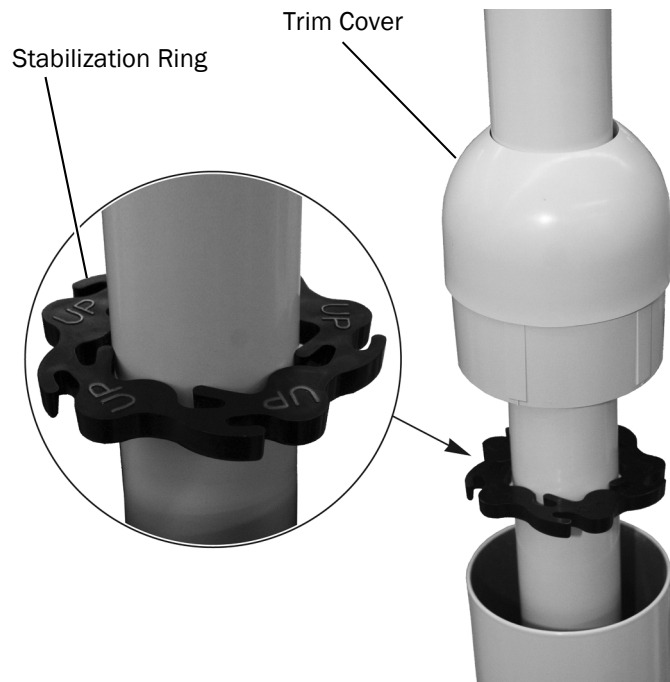
**2** Firmly tighten the screw at the end of the post.

### Task 3.

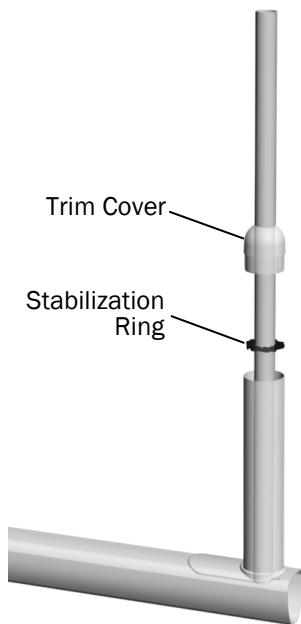
- 1 Install the stabilization ring with the words **UP** facing up.
- 2 If the system includes a support center, install the trim ring in the top of the support center before you install the trim cover.



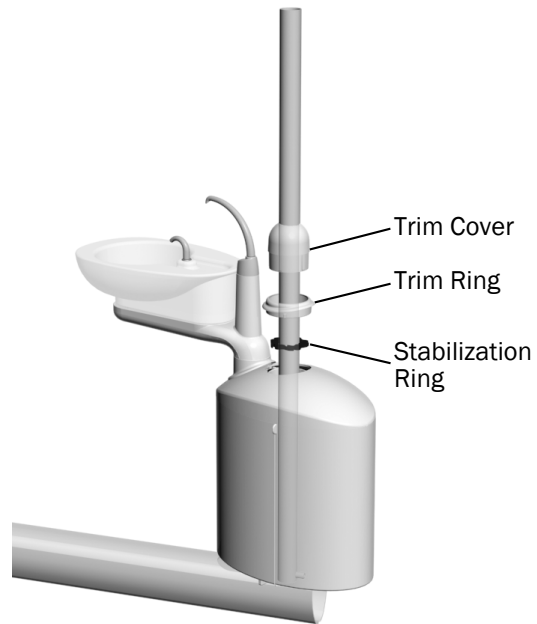
**TIP** Use a standard screwdriver to help work the trim ring into place.



- 3 Install the trim cover.

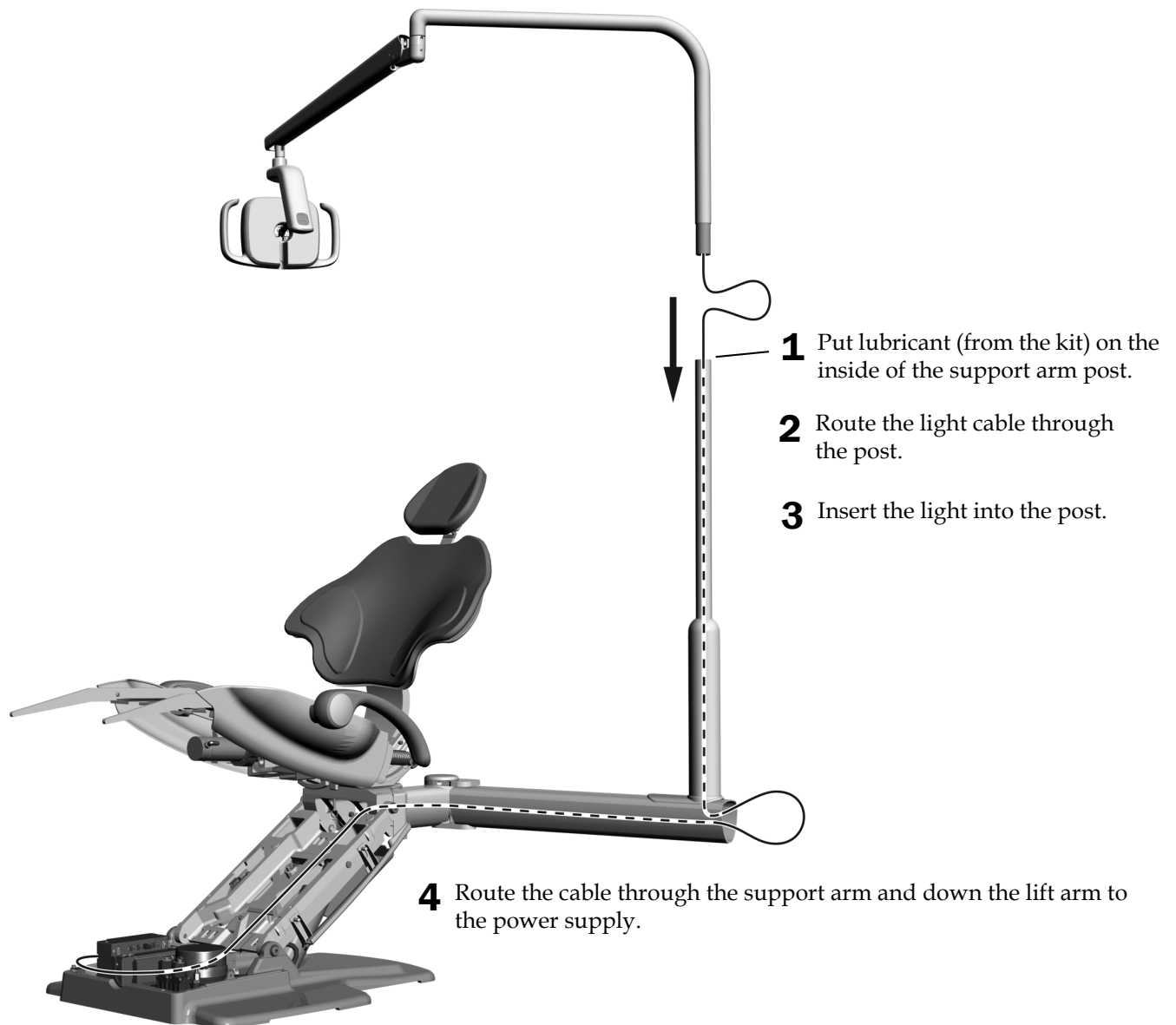


Support Arm without a Support Center



Support Arm with a Support Center

**Task 4.**

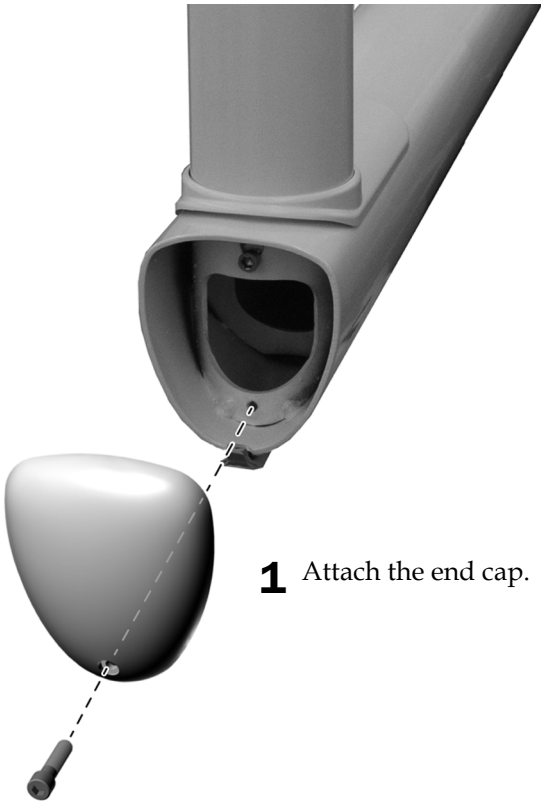


**Task 5.**



**1** Insert the stop switch tubing into the notch in the support arm.

**Task 6.**



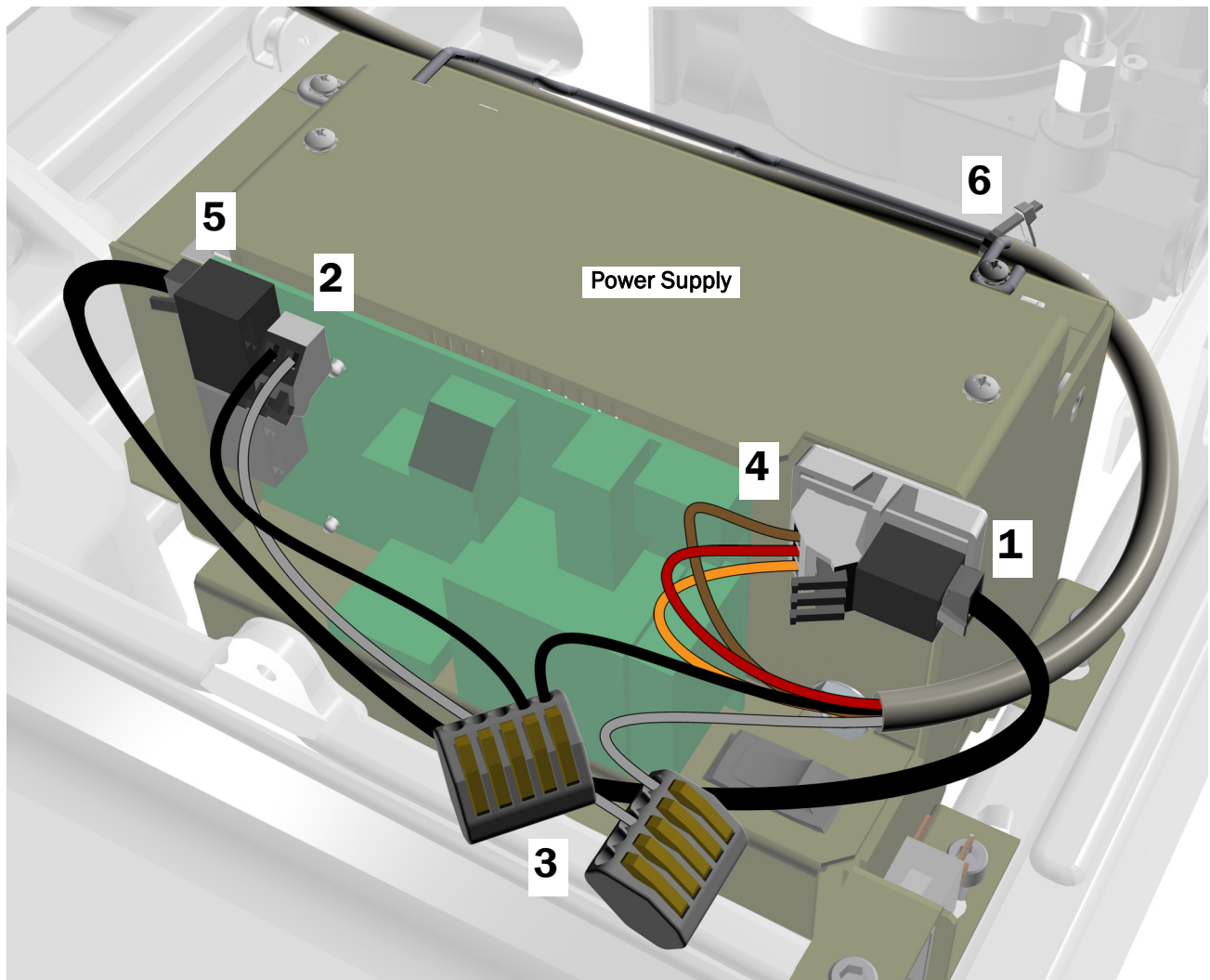
**1** Attach the end cap.

## Connect the Electrical Wires and Data Line



**CAUTION** Do not attach the adaptor board to the top of the power supply chassis. The pump cover will not fit.

1. Peel off the protective paper from the adaptor board. Attach the adaptor board to the front of the power supply in the upper right corner.
2. Connect the black jumper wire from the kit to 0 V. Connect the gray jumper wire from the kit to 24 V.
3. Use a wire connector to connect the black jumper wire to the black wire from the cable. Use a wire connector to connect the gray jumper wire to the gray wire from the cable.
4. Connect the wires to the positions on the adaptor board as labeled; brown to BRN, red to RED, and orange to ORN.
5. Connect the data line from the adaptor board to a data port.
6. Secure the cable to the bail with a cable tie.



## Level the Light

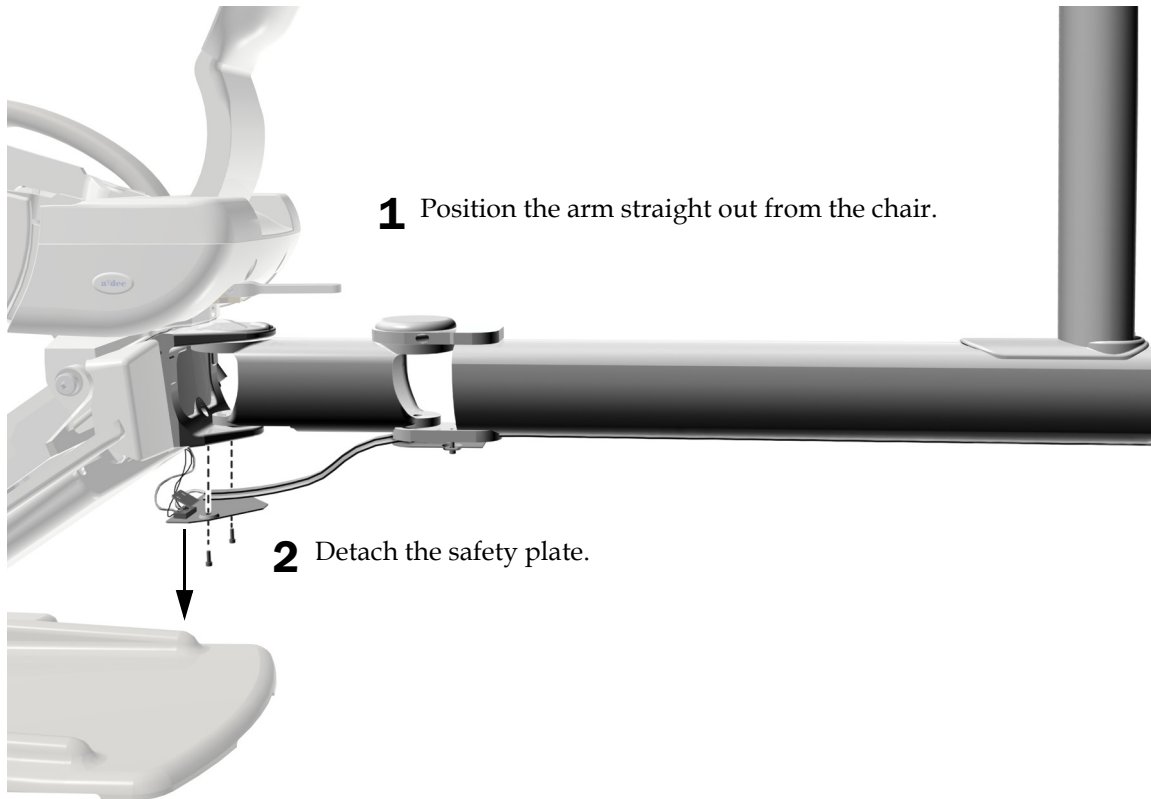
---

### Recommended Tools

- 5/32" hex key
- 3/4" combination wrench

### Level the Support Link

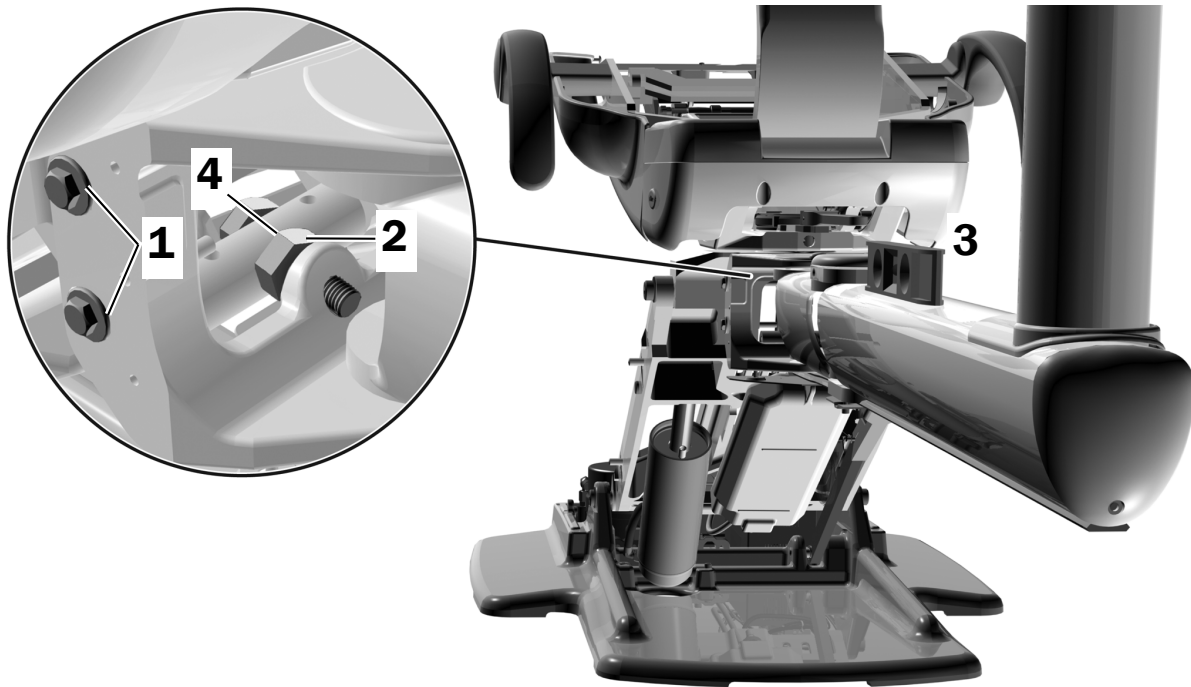
#### Task 1.





## Task 2.

1. Loosen the mounting bolts on both ends of the support link.
2. Loosen the locking nut.
3. Place the level on the arm.
4. Rotate the hex bolt in or out to adjust the level.
5. Tighten locking nut.
6. Tighten the mounting bolts and replace the safety plate.



## Prepare and Adjust the Light

---

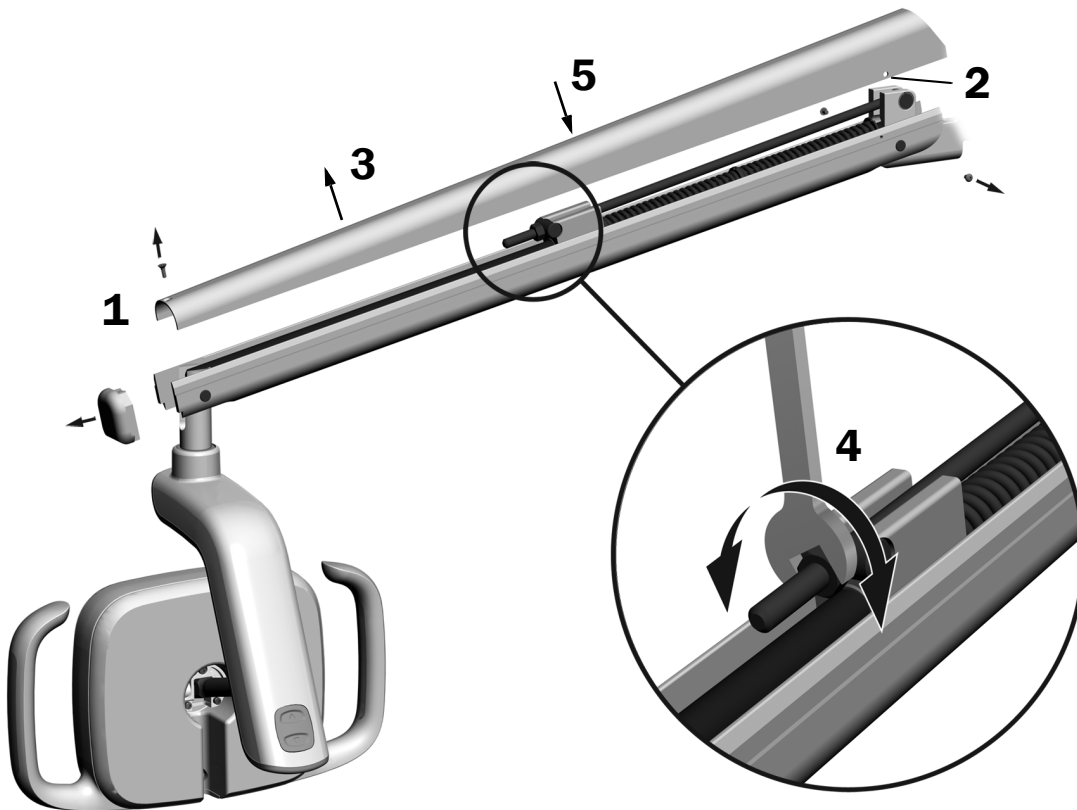
### Adjust the Dental Light Flexarm Counterbalance

Check the dental light flexarm for drift. If the dental light drifts, complete the following steps to adjust the flexarm counterbalance.

#### Recommended Tools

- Phillips head screwdriver
- 5/64" hex key
- 1/2" combination wrench

1. Remove the end cap.
2. Remove the two screws that secure the cover.
3. Remove the cover.
4. Adjust the nut on the end of the spring.  
If the dental light drifts up, turn the nut counterclockwise.  
If the dental light drifts down, turn the nut clockwise.
5. Set the cover back onto the flexarm (but do not reattach it yet). Check for drift.
6. Repeat steps 4 and 5 until drift is eliminated.



**NOTE** An optional travel stop limit kit (p/n 90.1044.00) can be installed to limit the upward and downward motion of the flexarm.

---

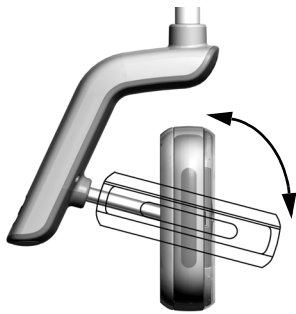
## Adjust the Rotation Tension

Test the rotation tension of the light head. If it needs to be adjusted, follow the directions for the type of tension that you will adjust.

### Recommended Tool

- 7/64" hex key

### Adjust the Vertical Tension



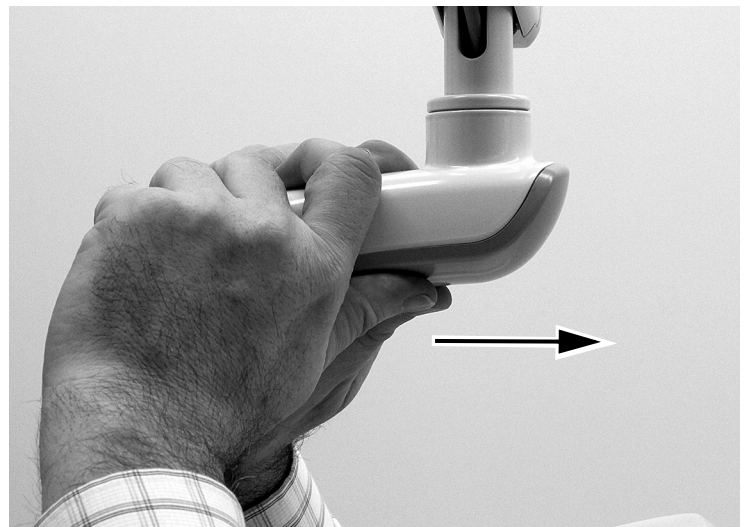
- 1** To adjust the tension, turn the screw. Clockwise increases the tension.



### Adjust the Horizontal and Diagonal Tension

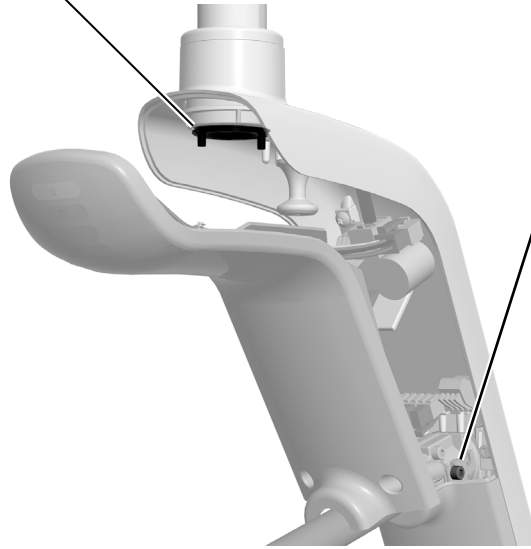
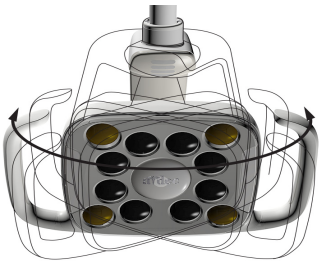
#### Task 1.

- 1** Remove the two screws securing the driver housing cover. Grasp the driver housing and use your thumbs to push the driver housing cover away from the driver housing.

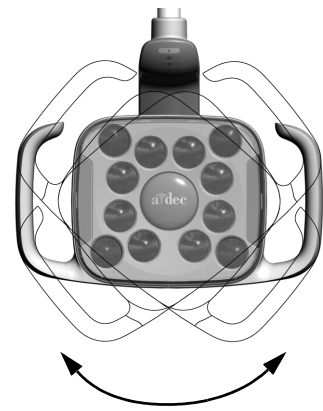


**Task 2.**

- 1** To adjust horizontal tension, rotate the friction adjustment.  
Clockwise increases the tension.



- 2** To adjust diagonal tension, turn the setscrew.  
Clockwise increases the tension.



## Test the Light

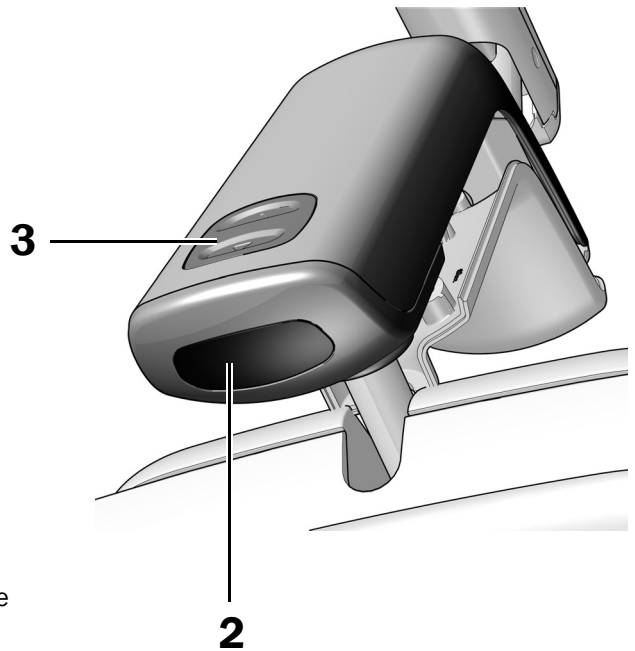
Perform the test procedure appropriate to your light:

<b>A-dec 571L</b> .....	<b>13</b>
<b>A-dec 371L</b> .....	<b>14</b>
<b>Test the Dental Light Using the Touch Control</b> .....	<b>14</b>

### A-dec 571L

#### Task 1.

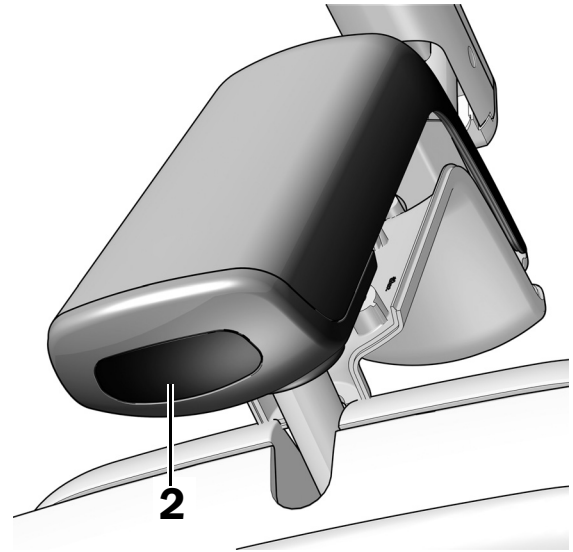
1. Turn on the system.
2. Move your hand within 3" (76 mm) of the touchless on/off sensor to turn on the light.
3. Press the mode button to test the light in each mode.
4. For each mode, verify that the correct light on the driver housing cover is illuminated.
5. If it doesn't work properly, check the wiring connections.



**Next Step** See "Test the Dental Light Using the Touch Control" on page 14.

## A-dec 371L

1. Turn on the power to the system.
2. Test the light:
  - **Lights with touch control functionality** – Move your hand within 3" (76 mm) of the touchless on/off sensor several times to verify the light switches between off and on.
  - **Lights without touch control functionality** – Move your hand within 3" (76 mm) of the touchless on/off sensor and verify that the light cycles through high-low-off.
3. If it doesn't work properly, check the wiring connections.



## Test the Dental Light Using the Touch Control

See the section for the type of control interface on your system.



**NOTE** Touch control symbols and icons are proprietary to A-dec, Inc.

## DS7/CP5i/CP5 Touch Controls




For touchscreen and control pad use, see the *A-dec Touchscreens and Control Pads Instructions for Use* (p/n 86.0857.00) at [a-dec.com/touchscreen-manual](http://a-dec.com/touchscreen-manual).

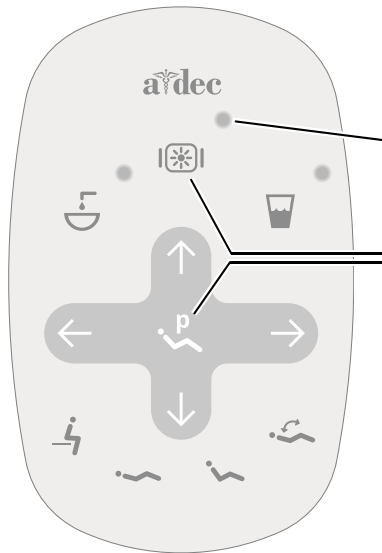


For configuring connectivity features, see the *A-dec+™ Instructions for Use* (p/n 86.1030.00) at [a-dec.com/connectivity-manual](http://a-dec.com/connectivity-manual).



## A-dec 500 Deluxe Plus/A-dec 300 Deluxe/Standard Touchpads



- 1** Turn on the power to the system.
- 2** To verify the light turns on and toggles between intensity modes (371L: High and composite/low; 571L: High, medium, and low plus cure-safe mode), repeatedly press and release . To turn off the light, press and hold the button.



Standard Touchpad



**NOTE** When the 371L light is in the composite mode or 571L is in cure-safe mode, the light indicator on the touchpad flashes.

- 3** To disable the auto on/off feature, press and hold  and  at the same time for three seconds. One beep indicates that the auto on/off function is off. To re-enable, repeat this step. Three beeps indicate that the auto on/off feature is activated.



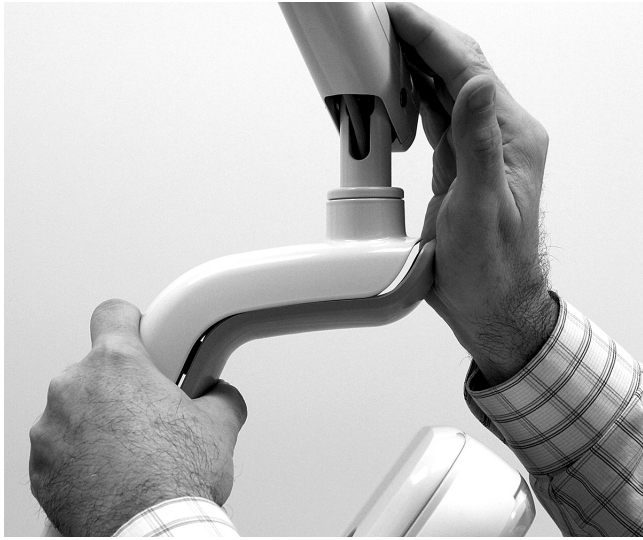
A-dec 300 Deluxe Touchpad



A-dec 500 Deluxe Plus Touchpad

## Reinstall the Driver Housing Cover

### Task 1.



**WARNING** Shock hazard. When you remove or replace the covers, take care not to damage any wiring or tubing. Verify that the covers are secure after you replace them.

- 1** Position the driver housing cover so the keyhole fits around the post; then push the driver housing cover into position with your palm.
- 2** Use two screws to secure the cover.


## Regulatory Information and Warranty

For required regulatory information and the A-dec warranty, see the *Regulatory Information, Specifications, and Warranty* document (p/n 86.0221.00) available in the Resource Center at [www.a-dec.com](http://www.a-dec.com).



For quick access to this document online, scan, tap, or click this QR code, which points to [a-dec.com/regulatory-guide](http://a-dec.com/regulatory-guide).

All trademarks cited herein are the property of their respective owners.

 **A-dec Headquarters**  
2601 Crestview Drive  
Newberg, OR 97132 USA  
Tel: 1.800.547.1883 Within USA/CAN  
Tel: +1.503.538.7478 Outside USA/CAN  
[www.a-dec.com](http://www.a-dec.com)

*A-dec, Inc. makes no warranty of any kind with regard to the content in this document including, but not limited to, the implied warranties of merchantability and fitness for a particular purpose.*

  
**a dec**<sup>®</sup>  
reliablecreativesolutions<sup>®</sup>



86.0332.00 Rev G  
Date of Issue 2022-11-30  
Copyright 2022 A-dec, Inc.  
All rights reserved.  
IGrphpor22