

Preference Slimline™ 5536 Utility Console INSTALLATION GUIDE



WARNING Failure to install the 5536 as described in this installation guide may cause the unit to collapse, resulting in serious injury to personnel.

Recommended Tools

- Measuring tape
- Level
- Powered Phillips screwdriver
- Powered drill
- 1/2" and 9/32" drill bits
- #2 Pozi drive screwdriver
- Hex key set
- 7/16" wrench



Before You Begin

Before installing the 5536 utility console:

- Check with local building and code authorities about installation requirements. They differ from state to state and internationally.
- Check that a manual air shutoff valve is installed where needed (supplied by contractor).



CAUTION Purge any debris from the air lines. Failure to do this causes leaks.

- Use the mini-templates provided in the *A-dec Dental Furniture Technical Packet*, p/n 86.0142.00, or the full-size templates ordered with the product to make the utility console and 12 o'clock delivery to mark location.

(1) Determine the utility console location. Use the full-size template to determine placement of the utility console (see Figure 1).

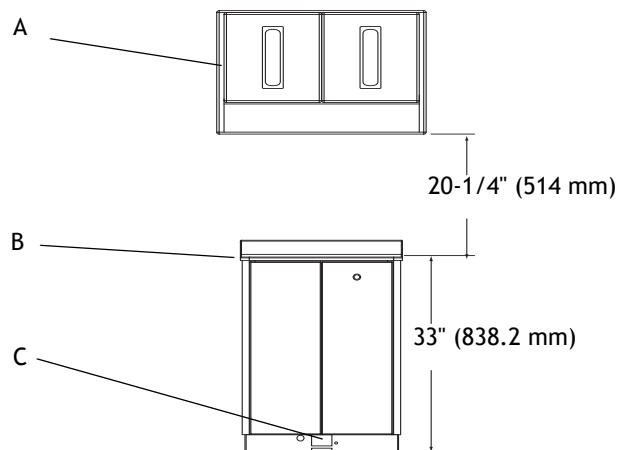
(2) Determine the 12 o'clock delivery system mount location.

1) Slide the floor mount into position through the slot under the utility console subbase.

2) Mark the floor mount hole locations.

- Install air and utilities using the full-size template and technical packet for reference.

Figure 1. Before Installing the Console



NOTE You can order full-size templates when ordering the product or obtain online at the A-dec Partner Resources site, www.a-dec.biz.

- Unpack the utility console:
 - Remove the utility console from the packaging.
 - Separate kits from the packaging and set aside.
- Install 5731 upper storage unit after installing the 5536 utility console (see Figure 1, inset A).
- Use the full-size template to position the utility console (see Figure 1, inset B).
- Slide the 12 o'clock system floor mount into position through the slot in the subbase (see Figure 1, inset C).

Installation Steps

The 5536 utility console is available in storage and utility models. Depending on the utility console model or option ordered, you can skip the steps that do not apply to your specific configuration.

Install the Model 541/545 12 O'Clock Delivery Mount

Use the mount kit (p/n 56.0956.00) and the appropriate procedure for the type of floor construction present to install the 12 o'clock delivery mount.

Attach Mount - Concrete Floor

1. Drill mounting holes (see Figure 2).
 Drill 1/2" (13 mm) diameter holes where marked. Drill each hole 2- 3/4" (69.9 mm) deep.
2. Remove debris from the holes. Drive 1/2" X 4" concrete studs into the holes.
3. Position and attach the mount.
 - (1) Position the 12 o'clock delivery mount over the studs (see Figure 3).
 - (2) Install and tighten the nuts on the studs.

Figure 2. Attach Mount to Concrete Floor

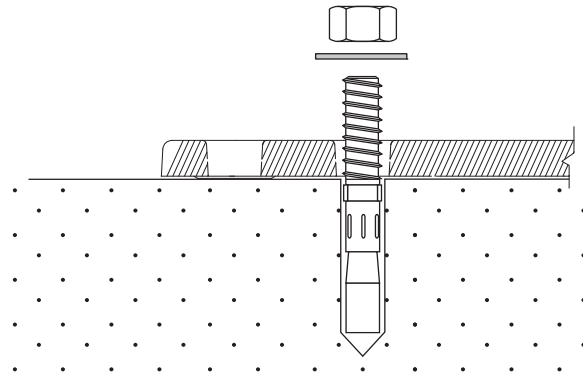
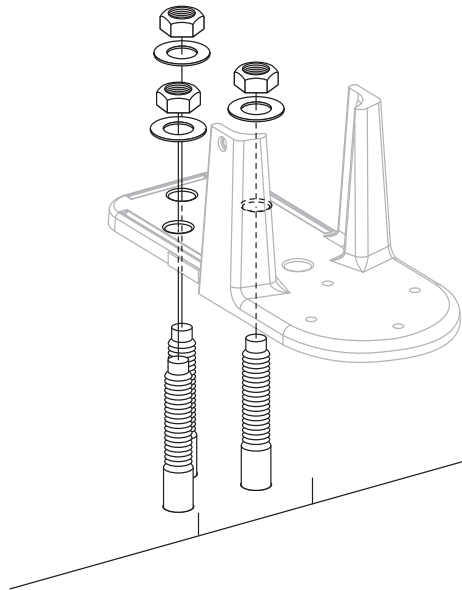


Figure 3. Position the Mount Over the Studs



Attach the Mount - Non-Concrete Floor

Drill the Holes

1. Drill 3/8" (9.5 mm) diameter holes where marked. Drill each hole 3-1/4" (82.5 mm) deep.
2. Remove debris from the holes.

Position and Attach the Mount

1. Position the 12 o'clock delivery mount over the drilled holes.
2. Install 1/2" X 4" lag screws (see Figure 4).

Figure 4. Attach Mount to a Non-Concrete Floor

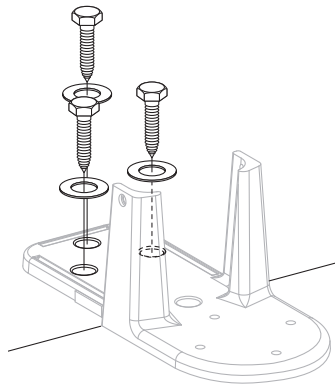
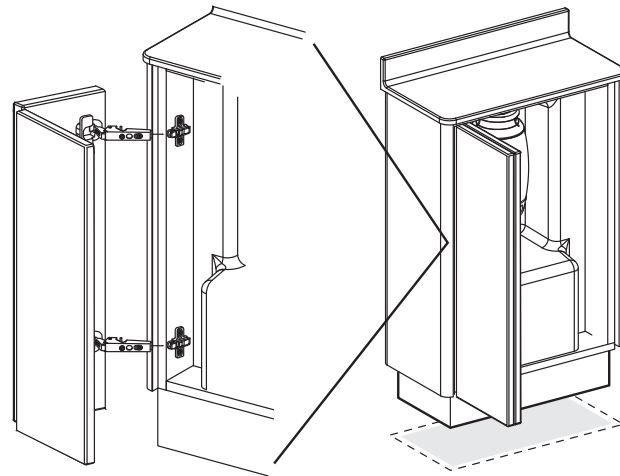


Figure 5. Remove the Doors and Place Utility Console in the Position Marked



NOTE Install the 541/545 12 o'clock delivery system after installing the utility console. Refer to the *A-dec 500 12 O'Clock System Installation Guide* (p/n 86.0466.00) for instructions on installing the 12 o'clock delivery unit.

Attach the Console

1. Release the console door hinges and remove the door (see Figure 5).



NOTE The equipment model utility console must have the utility insert removed to install the console. Remove the screw securing the utility insert and remove the insert.

2. Position the utility console over the 12 o'clock delivery mount (if installed) in the marked area (see Figure 5).
3. Attach the anchor clips on the console subbase lip (see Figure 6 on page 5).
4. Place the anchor clips close to the corners.

Mark the Anchor Clip Holes

1. Mark the anchor clip hole locations on the floor (see Figure 6).
2. Remove the clips from the subbase.



NOTE The cut-out in the bottom panel determines how close you can mount the anchor clips to the corners. Place anchor clips where you have the best access when drilling the mounting holes and installing the anchor clips.

Drill the Anchor Clip Holes

Concrete Floor

1. Drill the marked anchor bolt holes 1/2" (12.7 mm) diameter, and a minimum of 3-1/2" (88.9 mm) deep (see Figure 7).
2. Remove debris from the holes.

Non-Concrete Floor

1. Drill the marked anchor bolt holes 9/32" diameter (7.14 mm), minimum of 1-1/2" (38 mm) deep (see Figure 8).



NOTE Consult your licensed building contractor about adding reinforcement if flooring material is not at least 1-1/2" (38 mm) thick.

2. Remove debris from the holes.

Secure the Anchor Clips

Concrete Floor

1. Drive the bolts into the holes (see Figure 7).
2. Replace the anchor clips to the subbase lip, over the bolt.
3. Place a washer and hex nut on the bolt. Do not tighten.

Non-Concrete Floor

1. Place the anchor clips on the subbase (see Figure 8).
2. Place a washer on each anchor bolt and insert the bolts into the drilled holes through the anchor clips.

Figure 6. Mark the Anchor Clip Mounting Holes

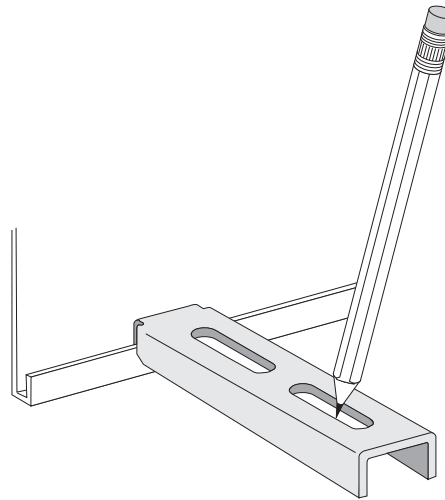


Figure 7. Secure the Anchor Clip to a Concrete Floor

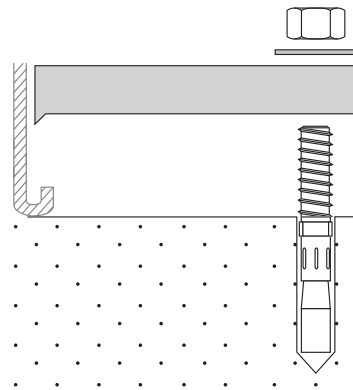
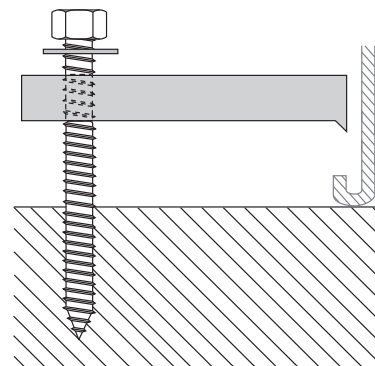


Figure 8. Secure the Anchor Clip to a Non-Concrete Floor



Level and Secure the Utility Console

Level the Console

1. Adjust the console leveling feet. Use a 7/16" wrench.
2. Place a level on the console countertop while adjusting the leveling feet. Check from front to back and side to side.
3. Check the level again.

Secure the Console

1. Position the shims under the subbase beneath the area of the anchor clips as necessary.
2. Tighten each bolt firmly. If the shims protrude beyond the subbase, trim the excess (see Figure 10).

Install Optional Equipment

Install the utility console optional equipment in the order given. Skip the options you are not installing.

Install the Water Bottle or Shelf

Install and adjust the doors before installing the water bottle or utility insert. See "Install the Doors" on page 7.

1. Attach the self-contained water bottle receptacle to the underside of the utility console countertop. Use the screws provided. Route tubing into utility area.
2. Place utility insert into the console (see Figure 11).
3. Attach the insert to the back of the console. Use the mounting screw provided.
4. Attach the self-contained water bottle to the receptacle. Refer to the installation instructions included with the water bottle.

Figure 9. Level the Utility Console

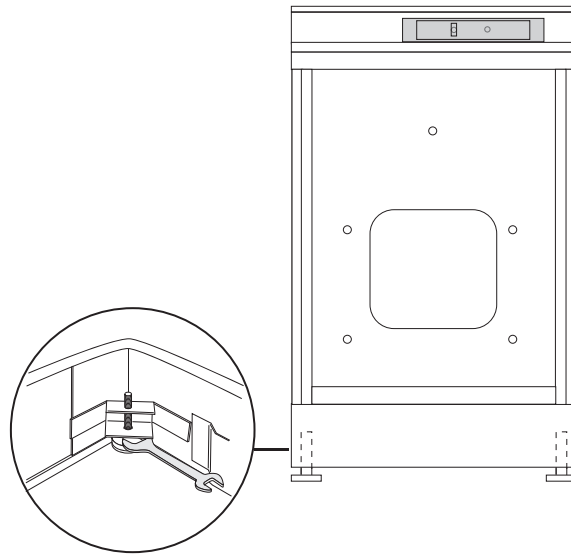


Figure 10. Secure the Utility Console

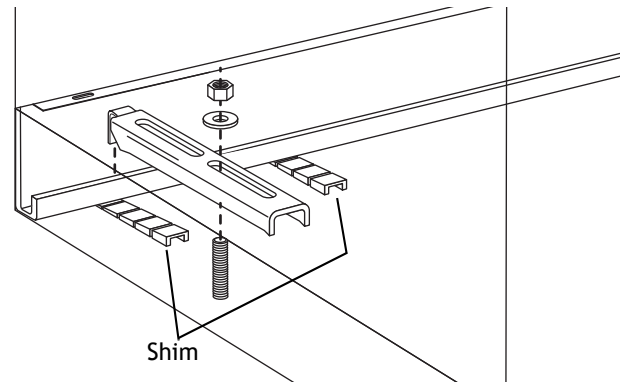
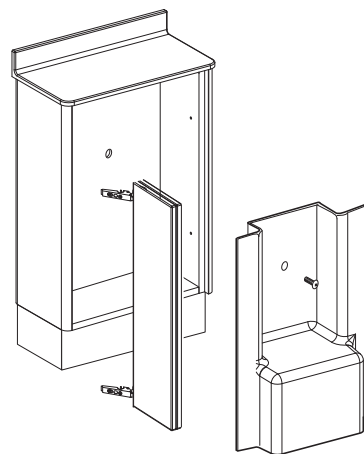


Figure 11. Place Utility Insert in Console



Install the Storage Console Shelf

1. Install the shelf mounting clips (see Figure 12).
2. Place shelf on the clips.



TIP Check with the dental team to identify shelf position in the utility console.

Install the Doors

1. Insert the door hinges into the utility console clips.
2. Push the hinges and clips together until they are locked in place (see Figure 13).

Figure 12. Install the Storage Shelf

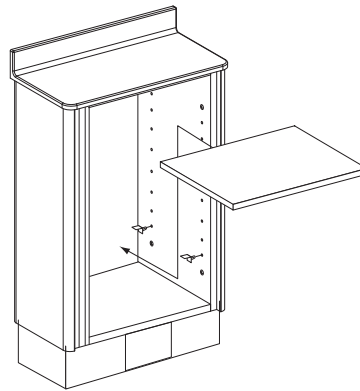
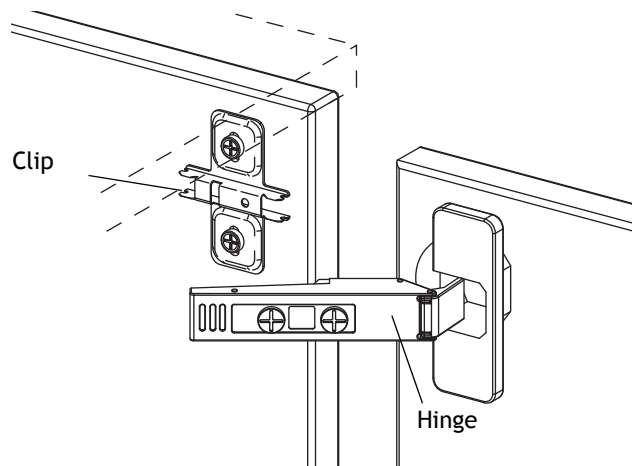


Figure 13. Lock Hinges to Quick Release



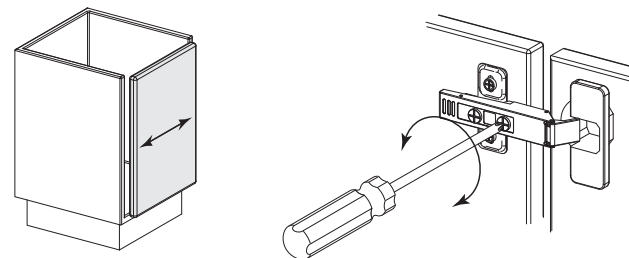
Adjustments

Correct adjustments create even spaces between the doors and a straight appearance from door to door. You can adjust the utility console doors for side-to-side, height, and depth alignment.

Adjust the Side

1. Turn front screw to increase or decrease door overlay (+/- 2mm) (see Figure 14).
2. Check your adjustment.

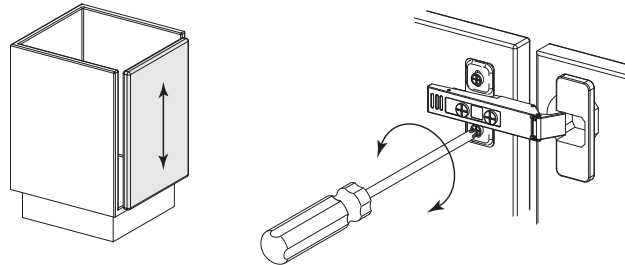
Figure 14. Adjust the Side



Adjust the Height

1. Loosen the screws on mounting plates to adjust door position (+/- 2mm) and retighten the screws (see Figure 15).
2. Check your adjustment.

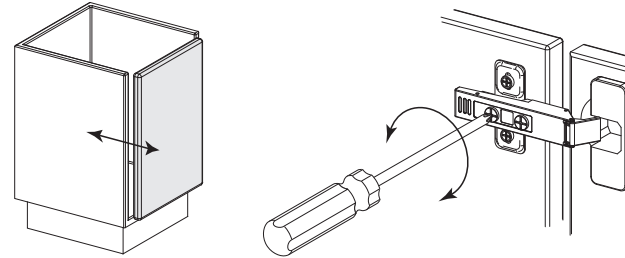
Figure 15. Adjust the Height



Adjust the Depth

1. Turn rear screw to adjust door position (+ 3mm, - 2mm) (see Figure 16).
2. Check your adjustment.

Figure 16. Adjust the Depth



Regulatory Information

Regulatory information is provided with A-dec equipment as mandated by agency requirements. This information is delivered in the equipment's *Instructions for Use* or the separate *Regulatory Information and Specifications* document. If you need this information, please go to the Document Library at www.a-dec.com.



A-dec® Headquarters

2601 Crestview Drive
Newberg, OR 97132 USA
Tel: 1.800.547.1883 Within USA/Canada
Tel: 1.503.538.7478 Outside USA/Canada
Fax: 1.503.538.0276
www.a-dec.com / www.a-dec.biz

A-dec Inc. makes no warranty of any kind with regard to the content in this document including, but not limited to, the implied warranties of merchantability and fitness for a particular purpose.

