

Preference Slimline™ 5636 Utility Console INSTALLATION GUIDE



WARNING Failure to install the 5636 as described in this installation guide may cause the unit to collapse, resulting in serious injury to personnel.

Introduction

The 5636 utility console is available in two widths (see Figure 1) and two modules (see Figure 1).

Recommended Tools

- Measuring tape
- Level
- Powered Phillips screw driver
- Powered drill
- 1/4", 1/8" and 1/2" drill bits
- #2 Pozi drive screw driver
- Hex key set

Figure 1. Preference Slimline 5636 Utility Console

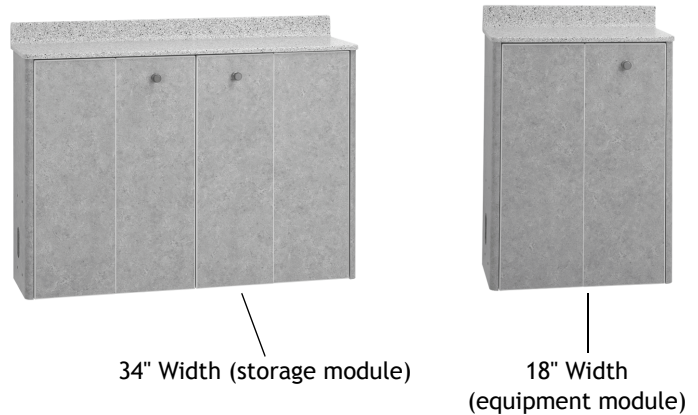
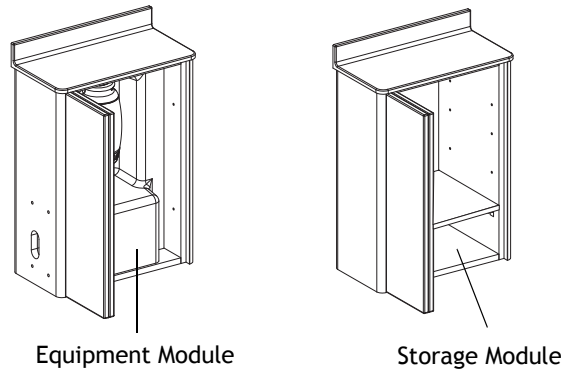


Figure 2. Utility Console Modules



Hardware List

Figure 3 lists and depicts hardware used in this installation.

Before You Begin

Before starting the installation:



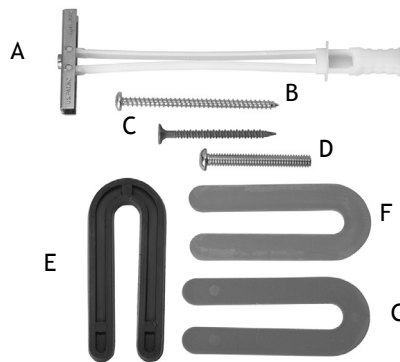
WARNING Consult a licensed professional, i.e. structural or architectural engineer for mounting to metal studs or masonry walls. Refer to the *A-dec Dental Furniture Preference Collection, Preference ICC, and Preference Slimline Pre-Installation Guide*, p/n 86.0142.00, for loading requirements. Ensure that all installations conform to local code requirements.

- Check that a manual air shutoff valve is installed where needed.



CAUTION Purge any debris from the air lines. Failure to do this causes leaks.

Figure 3. Hardware Identification



Item	Description
A	Toggle bolt anchor
B	Metal Phillips pan head #10 x 3" screw
C	Hi-low Phillips #9 x 2-1/4" screw
D	Zinc Button head 1/4" - 20 x 2" screw
E	Red "U" 1/8" shim clip
F	Blue "U" 1/16" shim clip
G	Black "U" 1/4" shim clip

- Use the mini templates provided in the *A-dec Dental Furniture Technical Packet*, p/n 86.0142.00, or the full-size templates ordered with the product to mark the utility console mounting location:
 - Determine the Model 542 side delivery range of motion.
 - Determine the utility console location. Use the template to determine placement of the utility console (see Figure 4) and other utility modules (see Figure 5).
- Install air and utilities using the template and technical packet for reference (see Figure 6).



NOTE You can also order full-size templates online at the A-dec Partner Resources site, www.a-dec.biz.

Unpack The Utility Console

1. Remove the utility console from the packaging.
2. Separate kits from the packaging and set kits aside.

Figure 4. Use the Full-Size Template

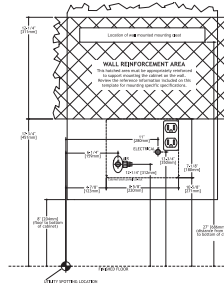


Figure 5. Determine Module Locations

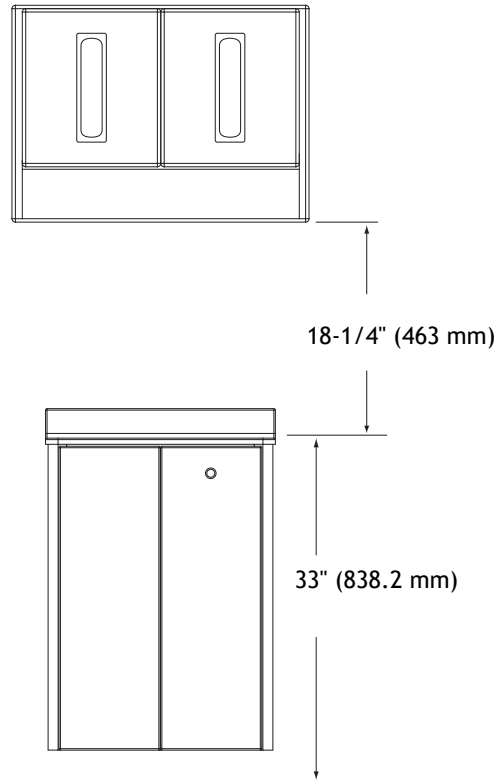
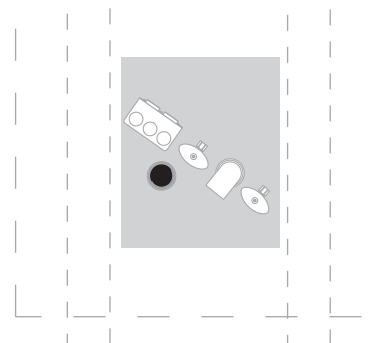


Figure 6. Install Utilities Before Beginning



Installation Steps

Depending on the utility console model or option ordered, you can skip the steps that do not apply to your configuration, but follow the steps in the given order.

Prepare the Location for Install

Reinforce the Walls

You must attach the utility console to stud walls and reinforce them (see Figure 7). The table below lists the minimum number of direct attachments you can make, based on the size of the console.

Utility Console Length	Number of Attachments
18"	2
34"	4



NOTE Consult your local building contractor, and state and local codes when mounting a utility console to the wall with something other than wood or metal stud construction.

- Figure 8 and Figure 9 detail the reinforcement requirements for 18" and 34" utility consoles.
- Both metal stud constructed walls and wood stud constructed walls must be reinforced or braced per building contractor's recommendations and local and state codes.



CAUTION Be sure the wall studs reinforcement/bracing supports a minimum of:

- 150 lb. (68 kg) for the 18" utility console
- 200 lb. (91 kg) for the 34" utility console

Figure 7. Contractor-Added Wall Reinforcement

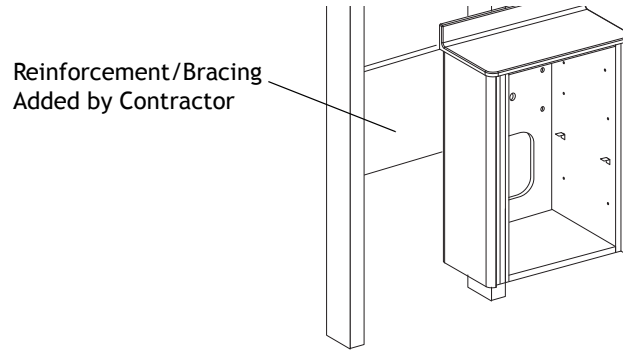
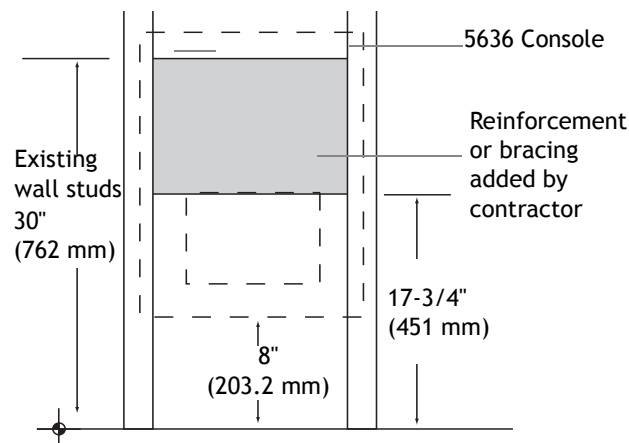
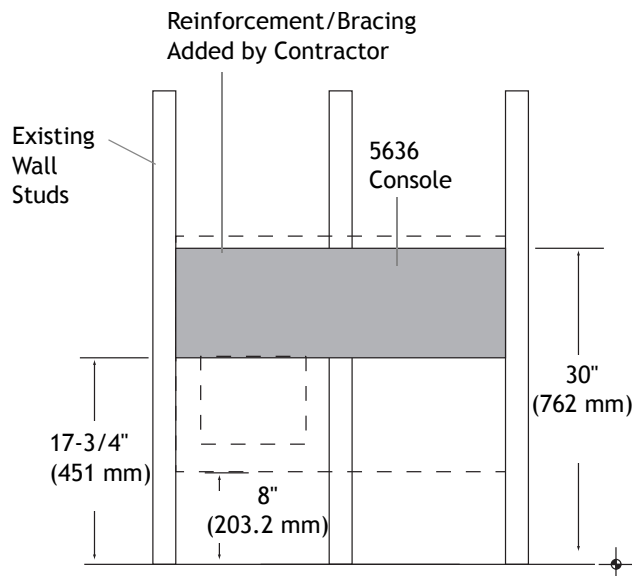


Figure 8. Reinforcement Location From the Floor, 18" Utility Console



Note: 18" consoles that do not bridge wall studs require the same type of reinforcement used for 34" consoles.

Figure 9. Reinforcement Location From the Floor, 34" Utility Console



Attach the Anchor Strip

1. Mark the anchor strip location. Use the mini template provided in the technical packet or the full-size template to mark the anchor strip location on the wall. Check that the location is aligned with the wall studs or reinforcement/bracing material (see Figure 10).
2. Mark the outside edge of the utility console (left or right side).
3. Mark end location of anchor strip. Measure 1-1/2" (38.11 mm) in from the edge of the cabinet placement mark.
4. Mark bottom location of anchor strip. Measure 27" (686 mm) from the floor.
5. Check to ensure the anchor location is over the reinforced area.



TIP You may not be able to locate a stud on walls that have been reinforced. Mark the location of the anchor strip where the reinforcement/bracing material is located.

Figure 10. Mark the Anchor Strip Location

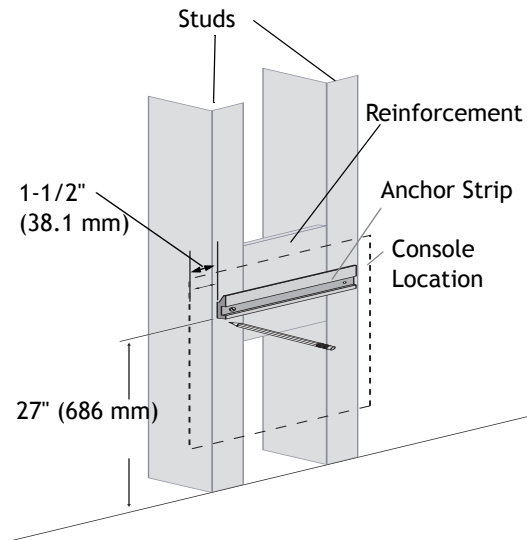
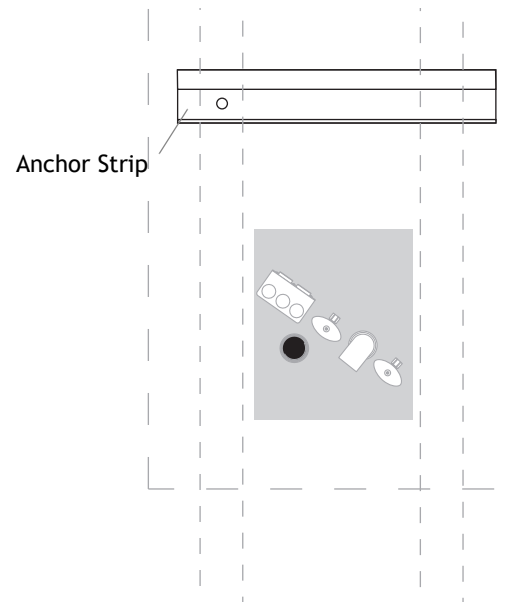


Figure 11. Align the Anchor Strip to the Marks



Attach the Anchor Strip

Attach the anchor strip using the appropriate procedure for the type of wall construction.

Metal Stud Construction

Use screws installed to studs or reinforcement/bracing with toggle bolt anchors to properly secure the anchor strip.

Install the Toggle Bolt Anchor

1. Drill a 1/4" (6.35 mm) hole through the anchor strip, wall and stud, or reinforcement bracing at one end of the anchor strip.
2. Remove the anchor strip from the wall and enlarge the hole in the wall to 1/2" (12.7 mm).
3. Install toggle anchor bolt in the hole:
 - (1) Hold the metal channel of the toggle bolt anchor flat against its plastic straps.
 - (2) Insert the metal channel through the hole (see Figure 12).
 - (3) Pull on toggle bolt anchor handle until the metal channel is flush with the wall (see Figure 13).
 - (4) Continue pulling on the handle but do not stretch the plastic straps.
 - (5) Slide the plastic cap down the straps until the cap is flush with the wall (see Figure 13).
 - (6) Release the handle.
 - (7) Snap off the plastic straps by bending the straps side to side.
 - (8) Repeat the steps for installing a toggle bolt anchor at the other end of the anchor strip.

Install the Anchor Strip

1. Place the anchor strip against the wall, lining up the previously drilled holes.
2. Install a 1/4-20 screw through the anchor strip and into the toggle bolt anchor (see Figure 14). Do not fully tighten.

Figure 12. Insert Toggle Bolt Anchor

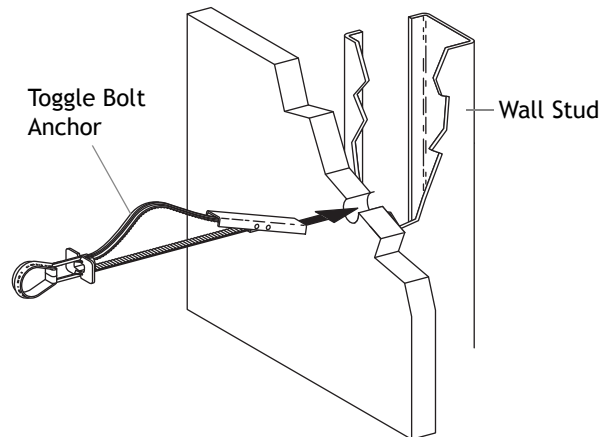


Figure 13. Pull Handle and Position Toggle Bolt Anchor

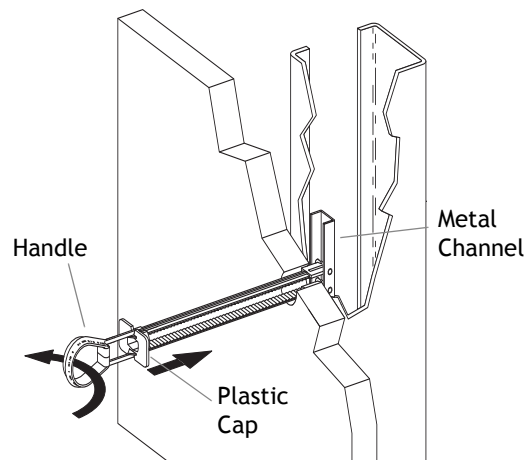
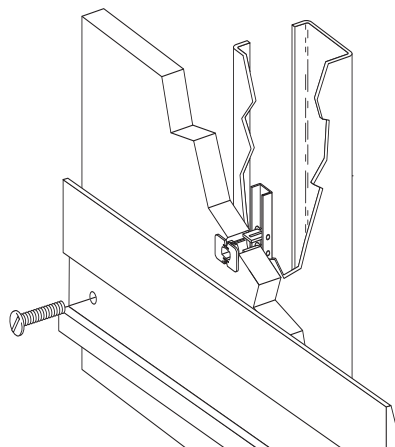


Figure 14. Attach One End of the Anchor Strip to Toggle Bolt Anchor



3. Use a level and hold the anchor strip level and to the marks on the wall (see Figure 15).
4. Install a 1/4-20 screw to the other end of the anchor strip and into the wall (see Figure 15). Do not fully tighten.
5. Shim the anchor strip with the "U" shaped shims provided so the anchor strip does not distort, if necessary (see Figure 16).



CAUTION Shimming prevents the anchor strip from distorting when installing against uneven wall surfaces. Distortion may make installation of the console difficult.

6. Check to verify anchor strip is level and tighten both screws.

Wood Stud Construction

Install screws to studs or reinforcement/bracing to properly secure the anchor strip.

1. Drill a 1/4" (6.35 mm) hole through the anchor strip, and wall board at one end of the anchor strip (see Figure 17).
2. Drill 1/8" (3.18 mm) pilot hole into the stud or reinforcement/bracing.
3. Install a #10 x 3" screw through the anchor strip and into the wall stud or reinforcement/bracing. Do not fully tighten.

Figure 15. Level the Anchor Strip

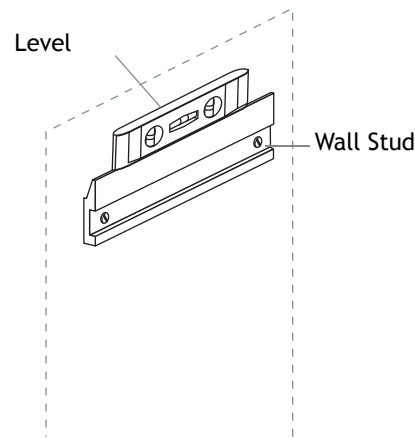


Figure 16. Shim With "U" Shaped Shims

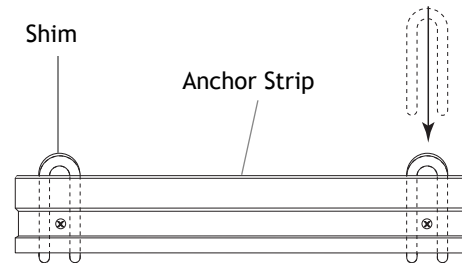
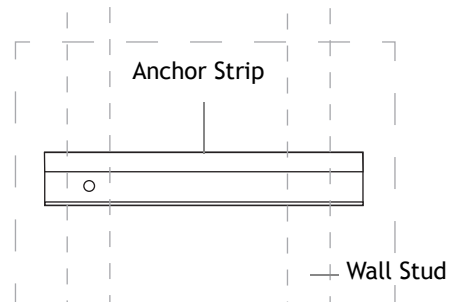


Figure 17. Attach One End of the Anchor Strip



4. Hold the anchor strip level and to the marks on the wall (see Figure 18).
5. Drill a 1/4" (6.35 mm) hole through the anchor strip, and wall board at the other end of the anchor strip.
6. Install a #10 x 3" screw to the other end of the anchor strip and into the wall or reinforcement/bracing. Do not fully tighten.
7. Shim the anchor strip with the "U" shaped shims provided so the anchor strip does not distort, if necessary (see Figure 19).



CAUTION Shimming prevents the anchor strip from distorting when installing against uneven wall surfaces. Distortion may make installation of the console difficult.

8. Check to verify anchor strip is level and tighten both screws.

Attach the Utility Console

Hang and Level the Console

1. Release the console door hinges and remove the door.



NOTE The equipment model utility console must have the utility insert removed to install the console (see Figure 20). Remove the screw securing the utility insert and remove the insert.

2. Lift the utility console in place.
3. Slide the utility console down the wall so the anchor clip on the back of the console engages the anchor strip (see Figure 21 on page 9).
4. Level the utility console front to back.
 - (1) Place a level on the console countertop.
 - (2) Shim between the wall and console until level.

Figure 18. Level the Anchor Strip

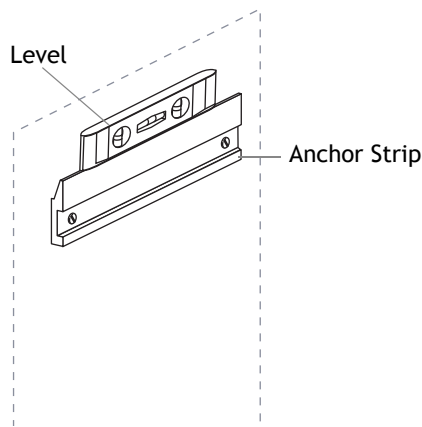


Figure 19. Shim with "U" Shaped Shims

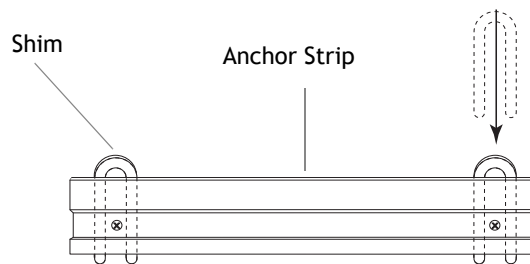
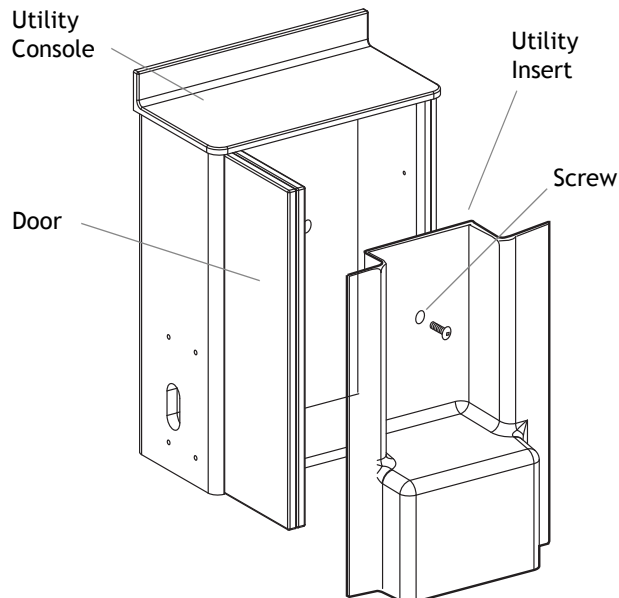


Figure 20. Remove the Door and Utility Insert



Fasten the Stabilizing Screws

1. Install two stabilizing screws 10-1/2" (267 mm) above the inside bottom of the console and through the console back into each stud, or reinforcement/bracing location (see Figure 22).
 - For metal wall stud/reinforcement use #9 x 2-1/4" screws.
 - For wood wall stud/reinforcement use #10 x 3" screws.
2. Seal the joint between the back splash and wall with the silicone sealant provided.

Install Optional Equipment

Install the utility console optional equipment. Skip the options you are not installing.

- Model 542 side delivery system
 - One of the following: water bottle (utility model) or shelf (storage model)
1. Install 542 side delivery system. Attach the 542 side delivery system to the utility console. See the *542 Side Delivery System Installation Guide*, p/n 86.0467.00.



NOTE You must install the 542 side delivery before installing the water bottle.

2. Install the water bottle or shelf. Reinstall and adjust the door before installing the water bottle or utility insert. See "Install the Doors" on page 10

Attach the Water Bottle

1. Attach the water bottle receptacle to the underside of the utility console countertop (see Figure 23). Use the screws provided. Route tubing into utility area.

Figure 21. Hang the Utility Console on the Anchor Strip

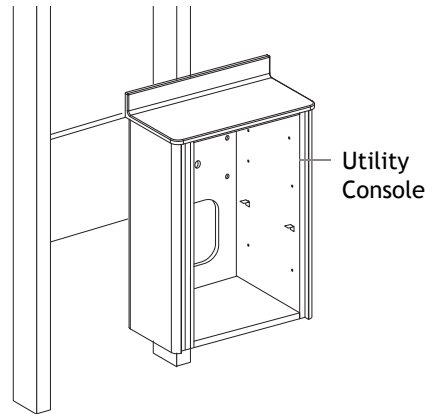


Figure 22. Secure the Utility Console to the Wall

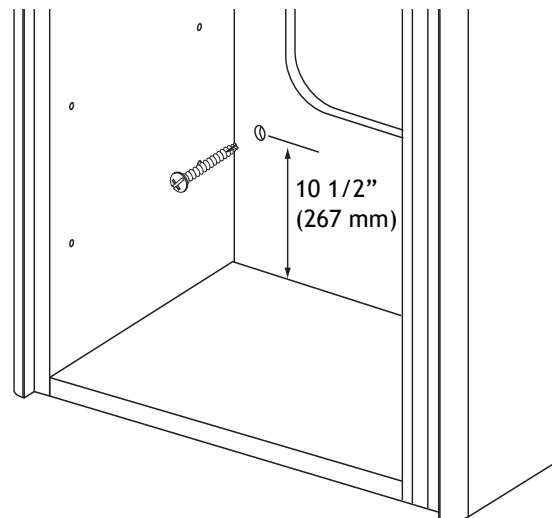
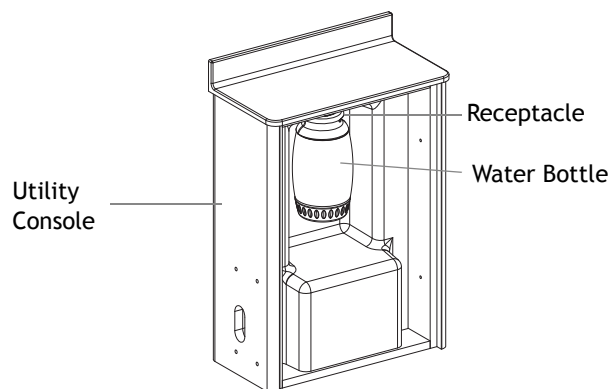


Figure 23. Install the Water Bottle Receptacle and Water Bottle



2. Place utility insert into the console (see Figure 24).
3. Attach the insert to the back of the console. Use the mounting screw provided.
4. Attach the water bottle to the receptacle. Use the *Remote Water Bottle Installation Guide*, p/n 86.0149.00.

Storage Console Shelf

1. Install the shelf mounting clips (see Figure 25).



NOTE Check with the dental team to identify shelf position in the utility console.

2. Place shelf on the clips.

Install the Doors

1. Insert the door hinges into the utility console clips.
2. Push hinges and clips together until locked in place (see Figure 26).

Figure 24. Install the Utility Insert

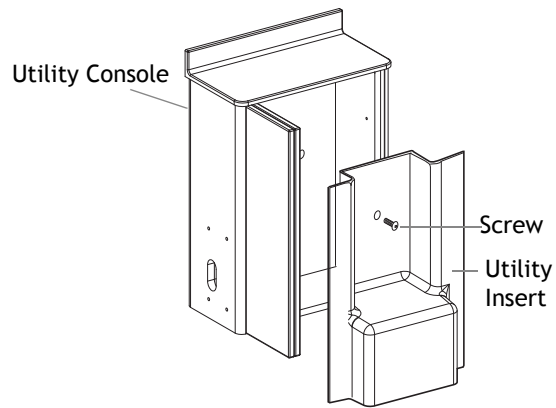


Figure 25. Install the Storage Shelf

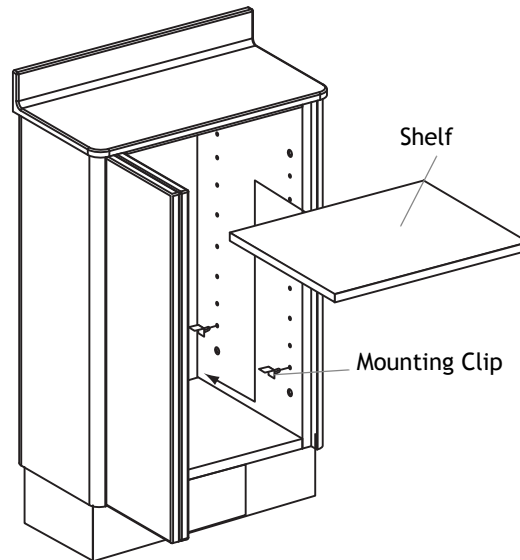
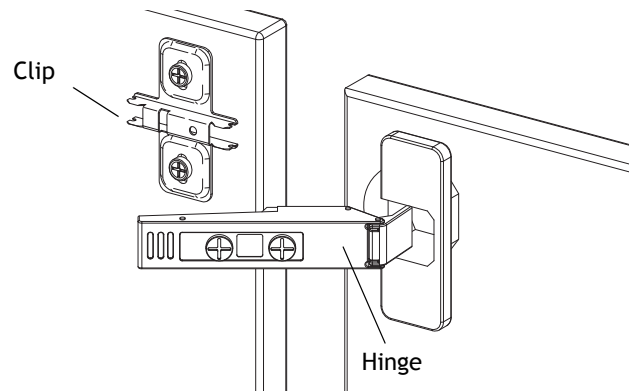


Figure 26. Lock Hinges to Quick Releases



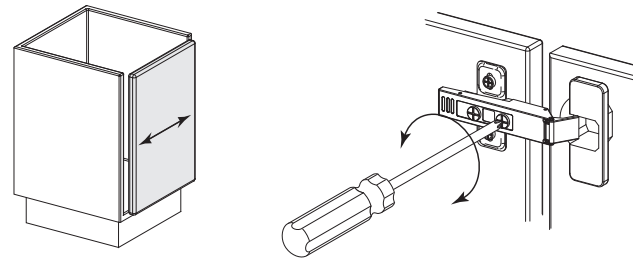
Adjustments

Correct adjustments create even spaces between the doors and a straight appearance from door to door. You can adjust the utility console doors for side-to-side, height and depth alignment.

Adjust the Side

1. Turn front screw to increase or decrease door overlay (+/- 2 mm) (see Figure 27).
2. Check your adjustment.

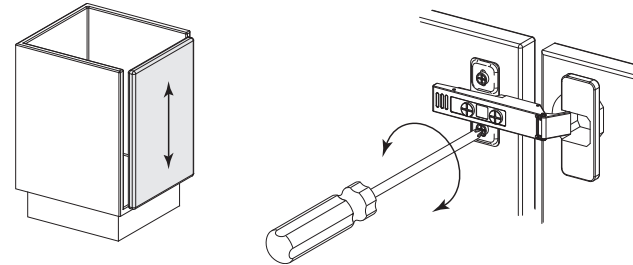
Figure 27. Adjust Side



Adjust the Height

1. Loosen the screws on mounting plates to adjust door position (+/- 2 mm) and retighten the screws (see Figure 28).
2. Check your adjustment.

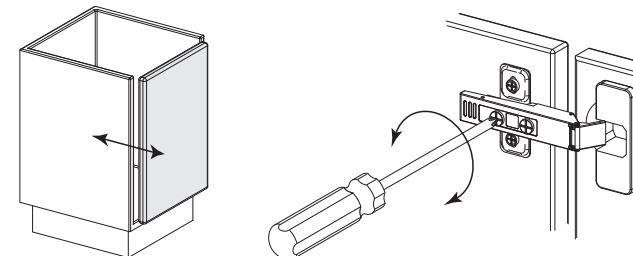
Figure 28. Adjust Height



Adjust the Depth

1. Turn rear screw to adjust door position (+ 3 mm, - 2 mm) (see Figure 29).
2. Check your adjustment.

Figure 29. Adjust Depth



Regulatory Information

Regulatory information is provided with A-dec equipment as mandated by agency requirements. This information is delivered in the equipment's *Instructions for Use* or the separate *Regulatory Information and Specifications* document. If you need this information, please go to the Document Library at www.a-dec.com.



A-dec® Headquarters

2601 Crestview Drive
Newberg, OR 97132 USA
Tel: 1.800.547.1883 Within USA/Canada
Tel: 1.503.538.7478 Outside USA/Canada
Fax: 1.503.538.0276
www.a-dec.com / www.a-dec.biz

A-dec Inc. makes no warranty of any kind with regard to the content in this document including, but not limited to, the implied warranties of merchantability and fitness for a particular purpose.

