



A-dec 587 Cabinet Track Monitor Mount

INSTALLATION GUIDE



Recommended Tools

- Diagonal cutters
- Socket wrench
- Hex key set
- Level
- Adjustable wrench

Before You Begin

Use this installation guide to install the cabinet track monitor mount on a 5562 treatment column, 5662 or 5731 insert, or 5580 console.

Check with local building and code authorities about installation requirements. They differ from state to state and internationally.



CAUTION Use an SJT type cable when connecting power to the monitor. SJT cables are more durable than the SVT cables typically provided by monitor manufacturers and they are required when routed through moving arms.

- Do not use a monitor that weighs more than 20 lb.
- Use a monitor that fits a 75 mm or 100 mm VESA pattern mount.
- Always follow local building and electrical codes.

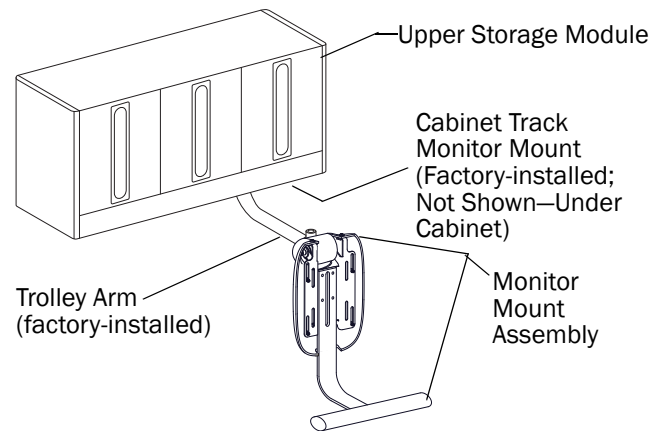


NOTE Not all parts included in this kit may be necessary for your particular installation or configuration.



NOTE Use the templates provided in the *A-dec Dental Furniture Pre-Installation Guide* (p/n 86.0142.00) to install electrical utilities.

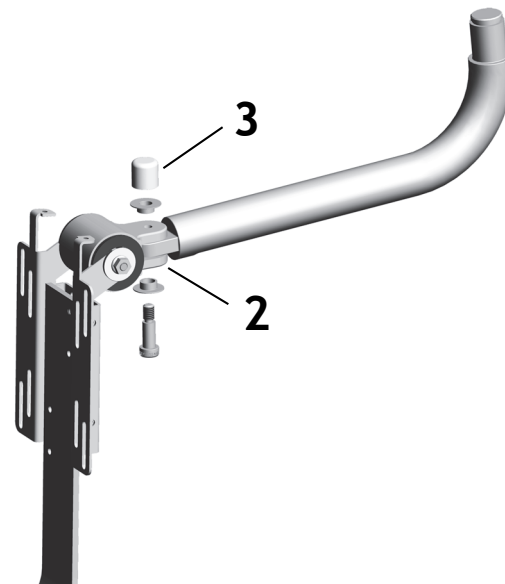
Figure 1. Cabinet Track Monitor Mount



Attach the Hub Assembly to the Trolley Arm

1. Remove the cable tie that holds the flanged bearings in place during shipping.
2. While holding the bearings in place, attach the hub assembly to the trolley arm.
 - (1) Position the hub assembly over the flanged bearings.
 - (2) Use a 3/16" hex key and the shoulder screw to secure the hub assembly to the trolley arm.
3. Screw on the bumper.

Figure 2. Attach the Hub Assembly to the Trolley Arm



Attach the Monitor to the Bracket

Use the screws provided with the monitor to attach the monitor to the bracket assembly.



NOTE Install the recessed adaptor if the mounting holes on the monitor are recessed. See Figure 4 on page 3.

Figure 3. Attach the Monitor to the Bracket

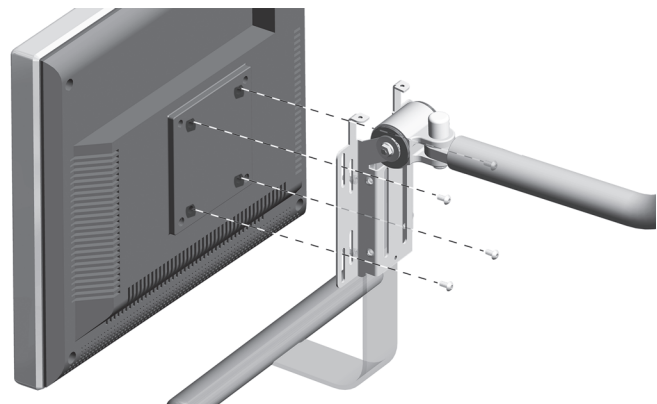
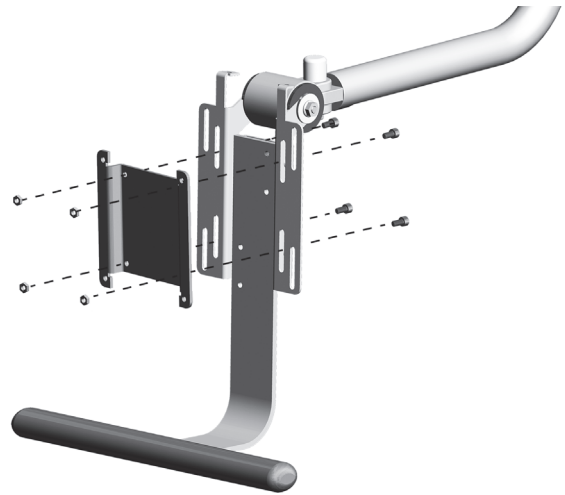


Figure 4. Attach the Recessed Adaptor (if needed)



Position and Level the Monitor

1. Loosen the monitor mounting bracket screws.
2. Place a level on the monitor and position the monitor so it is level.
3. Tighten the screws.
4. Make sure the doors clear the top of the monitor.

Route the Monitor Cables

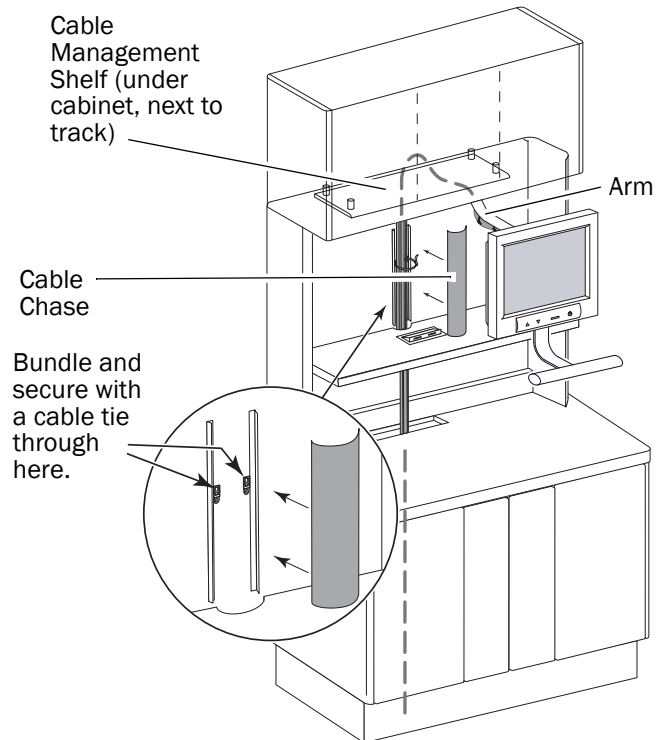
1. Connect the monitor cables to the monitor.
2. Slide the monitor arm on the track to the far left or right to determine an adequate cable length for full range of monitor travel.
3. Insert the cables through the sleeve, and lay the cables in the trolley arm channel.
4. Secure the cables to the upper module and arm with cable ties.



NOTE Use the cable sleeve and cable ties provided.

5. Route the monitor cables over the cable management shelf. Leave sufficient cable below to allow full range of monitor travel.
6. Route the cables down the cable management chase through the hole in the cabinet.
7. Plug the power cord into the quad box in the sub-base.

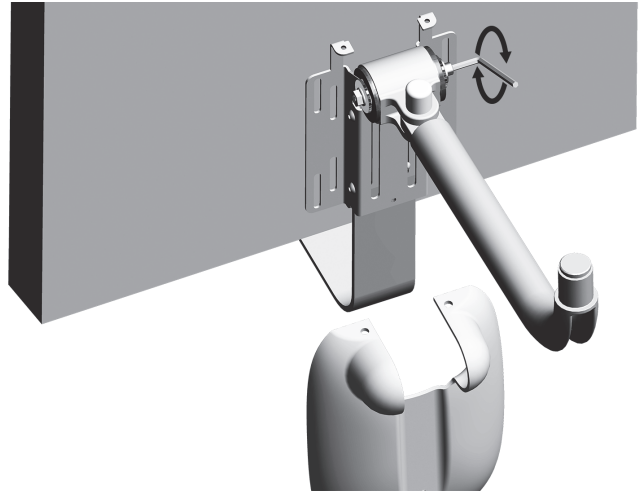
Figure 5. Route the Monitor Cables



Adjust the Horizontal Friction

Increase the horizontal friction by using a 3/16" hex key to tighten the adjustment screw.

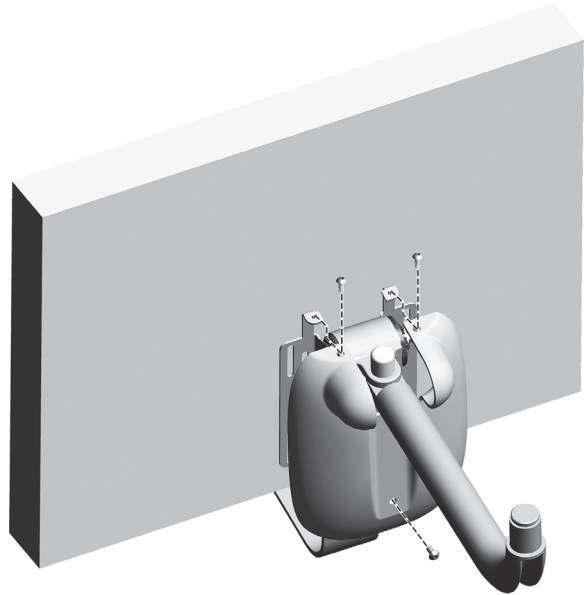
Figure 6. Adjust the Horizontal Friction



Install the Cover

Install the monitor mount cover to the back of the monitor.

Figure 7. Install the Monitor Mount Cover



Regulatory Information

Regulatory information mandated by agency requirements is provided in the *Regulatory Information, Specifications, and Warranty* document (p/n 86.0221.00), which is available in the Document Library at www.a-dec.com.

A-dec Headquarters
2601 Crestview Drive
Newberg, OR 97132 USA
Tel:1.800.547.1883 Within USA/Canada
Tel:1.503.538.7478 Outside USA/Canada
Fax:1.503.538.0276
www.a-dec.com / www.a-dec.biz

A-dec Inc. makes no warranty of any kind with regard to the content in this document including, but not limited to, the implied warranties of merchantability and fitness for a particular purpose.