



# A-dec Inspire® 591 Treatment Console

## INSTALLATION GUIDE

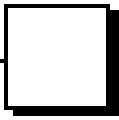


A-dec 591 42" Treatment Console



### Product Models and Versions Covered in This Document

Models	Versions	Description
591	A	Dental Furniture



## Before You Begin

- Clear the room of all debris and thoroughly clean the floors.
- Verify that manual air and water shut-offs are installed.
- Purge any debris from air and water lines.
- Check with local building and code authorities about installation requirements specific to your location.

### Recommended Tools

- Phillips head screwdriver
- 5/32" hex key
- #2 Pozidriv® screwdriver
- Dollies (at least 2 per cabinet)
- Awl
- Standard screwdriver
- Power screwdriver
- Drill and a 10" long 3/8" bit
- Four-foot level
- Torpedo level
- 1/2" (12.7 mm) dowel
- Rubber mallet
- 5/16", 7/16", 9/16", and 3/4" 6-point sockets and ratchet, with 6" locking extension

### Important Information



**NOTE** Information that is critical to a successful installation is shaded like this note throughout the guide.



**CAUTION** To avoid damaging the cabinet after the alcoves and the upper components have been installed, do not move the assembly more than is required to make slight position adjustments without installing the column covers.

For column cover installation information, see "Install a Structural Column Cover" on page 34.



**ATTENTION** Circuit boards are sensitive to static electricity. Electrostatic Discharge (ESD) precautions are required when touching a circuit board or making connections to or from the circuit board. Circuit boards should be installed only by an electrician or qualified service person.



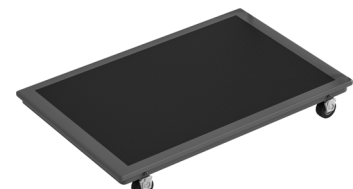
**WARNING** Failure to install the A-dec Inspire 591 as described in this installation guide may cause the unit to collapse, resulting in serious injury to personnel.



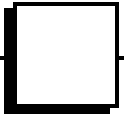
**WARNING** Two people should install this cabinet to avoid personal injury.



**NOTE** A-dec recommends using only solid-top dollies when moving A-dec Inspire cabinets.

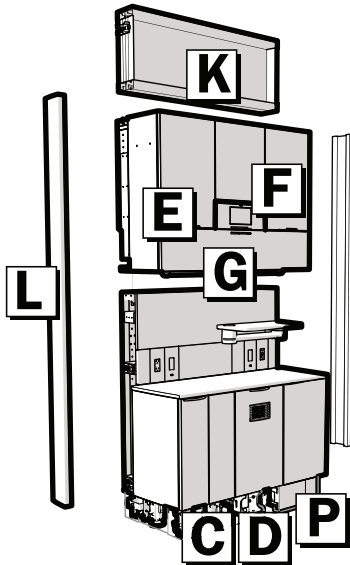


# How to Use this Installation Guide



42"

A  
H  
M  
N  
O  
Q



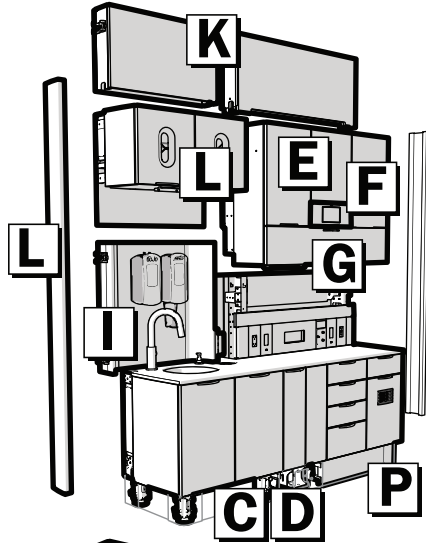
The A-dec Inspire 591 Treatment Console is available in multiple configurations. Perform the installation tasks in the order shown below. If a section does not apply to a specific configuration, that information is noted at the beginning of the section.

## Installation Sequence

<b>A</b>	Unpack the Cabinet .....	4
<b>B</b>	Secure the Lowers and Install the Countertop ....	7
<b>C</b>	Install and Level the Lower and Support Column .	11
<b>D</b>	Anchor the Cabinet .....	14
<b>E</b>	Install the Upper .....	17
<b>F</b>	Install the Control Center (optional) .....	18
<b>G</b>	Install the Flip-Down Shelf (optional) .....	20
<b>H</b>	Install the Monitor Mount .....	23
<b>I</b>	Install the Alcove .....	24
<b>J</b>	Install the Dispenser .....	25
<b>K</b>	Install the Extension .....	26
<b>L</b>	Install the Column Covers .....	31
<b>M</b>	Install the Accessories .....	37
<b>N</b>	Connect the Wires and Data Lines .....	41
<b>O</b>	Adjust the Drawer Faces and Doors .....	45
<b>P</b>	Install the Faucet Foot Pedal and Base Covers ..	48
<b>Q</b>	Complete the Installation .....	50

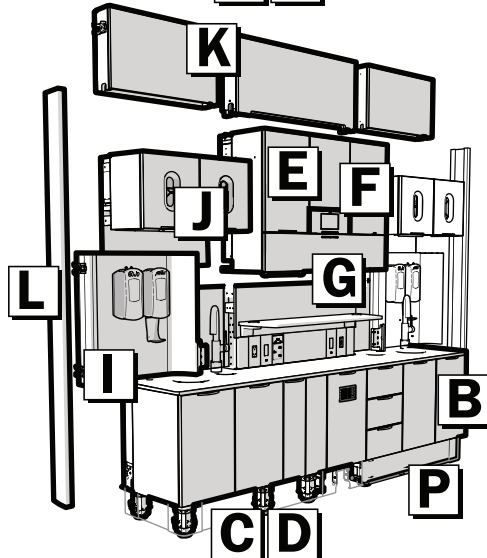
70"

A  
H  
M  
N  
O  
Q

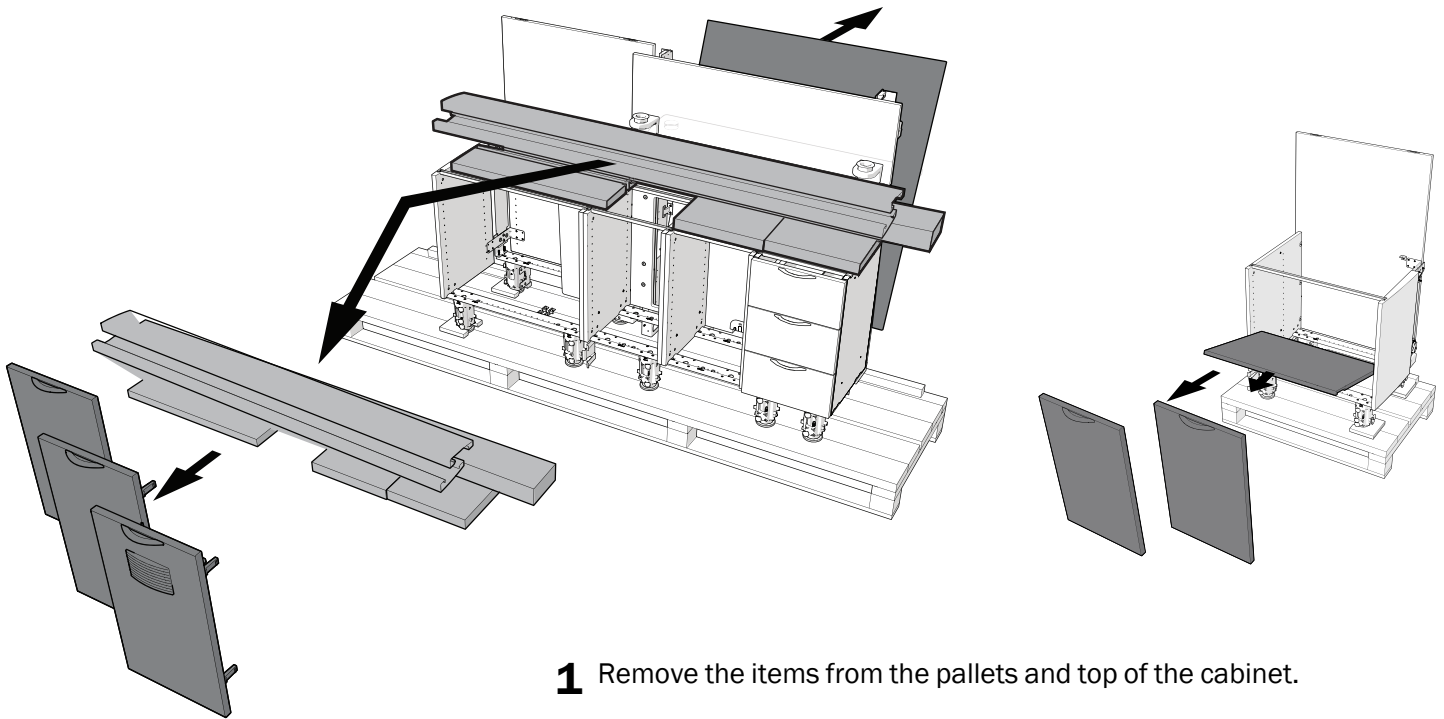


98"

A  
H  
M  
N  
O  
Q



# A Unpack the Cabinet

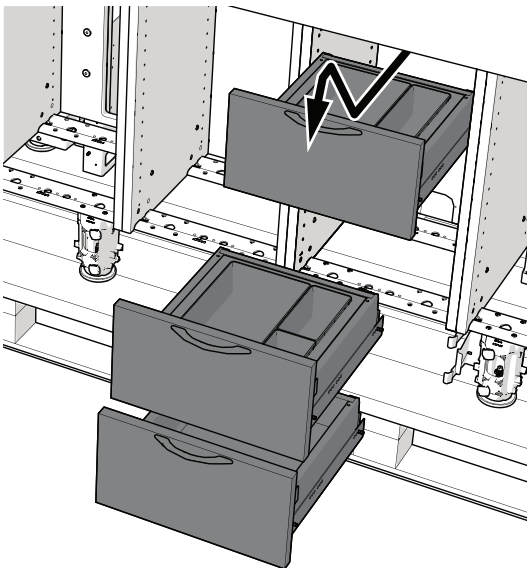


**1** Remove the items from the pallets and top of the cabinet.

**2** Remove the doors and false bottoms.



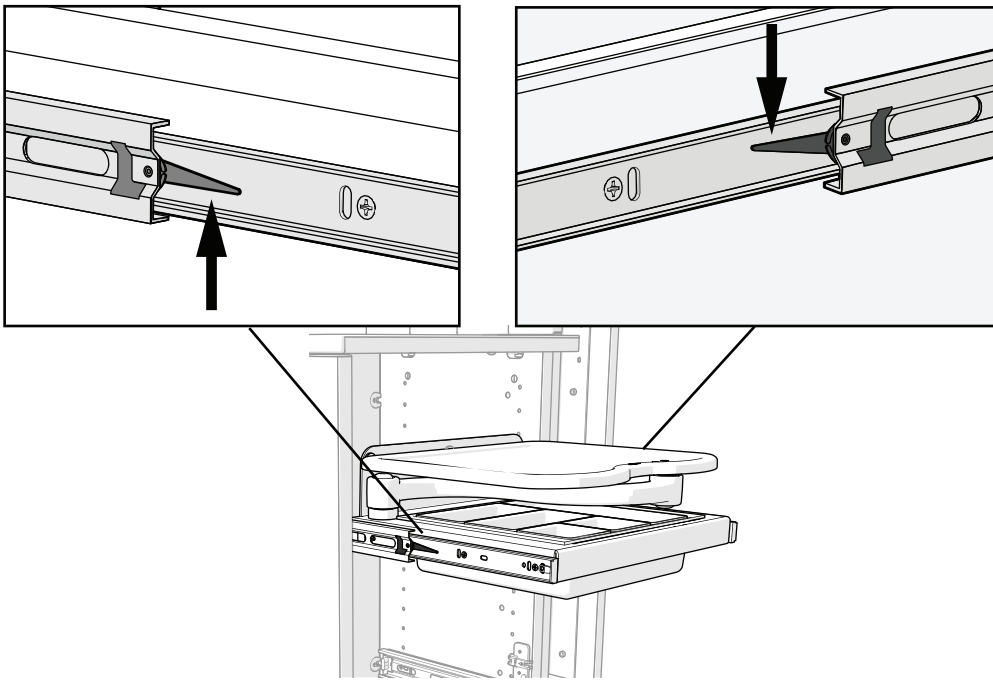
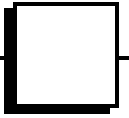
**TIP** Make note of the installed location of each item to help with reinstallation.



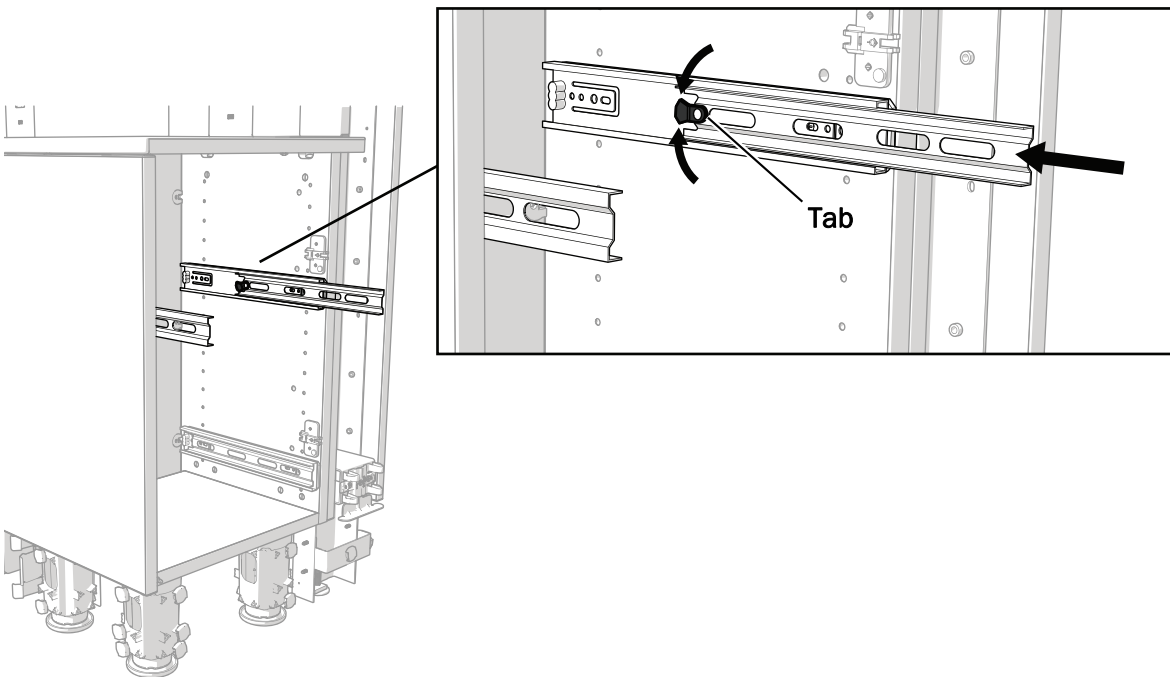
**3** Remove the storage drawers.

**1** Pull the drawer out to the stop.

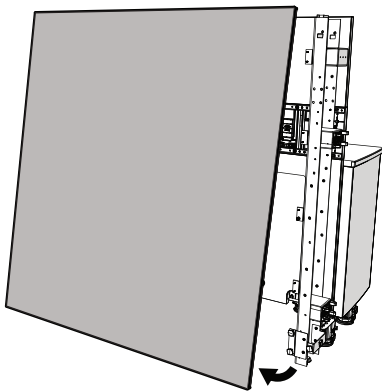
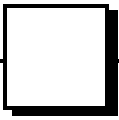
**2** Lift the front of the drawer, pull out, then down.



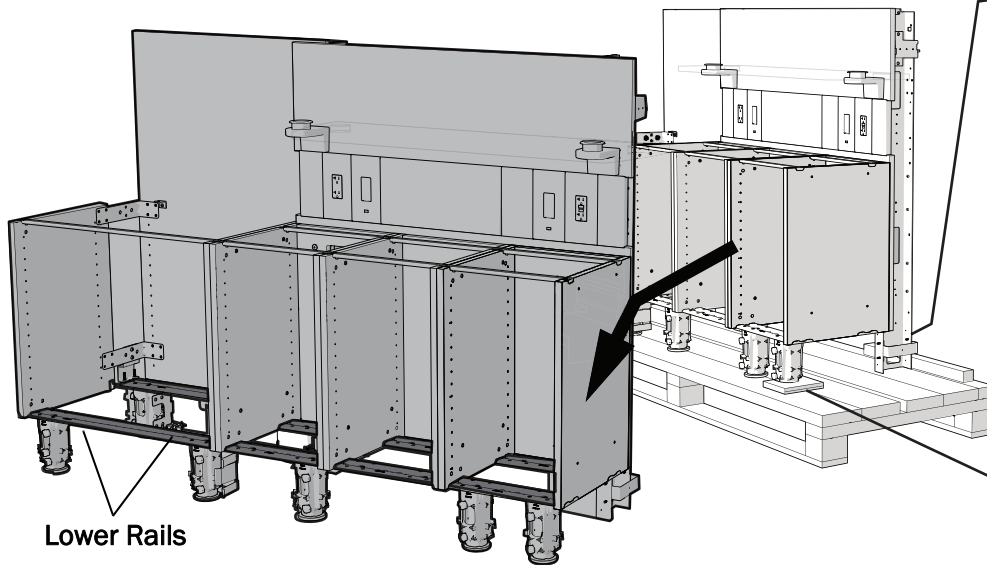
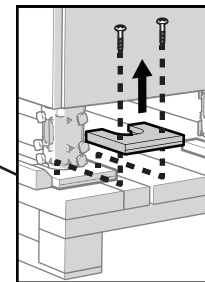
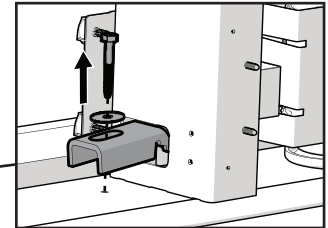
**4** (Optional) To remove the swing-out shelves, lift the left side tab up and push the right side tab down while sliding out the shelf.



**TIP** To move the rails into the cabinet so they are out of the way while completing the installation, center the tab in the middle of the rail then push the rail in.



- 5** To remove the back panel, pull out from the bottom of the 42" (106.7 cm) section.



Lower Rails

- 6** Use a 7/16" socket and ratchet to remove the anchors securing the cabinet to the pallet. Lift and pull the anchors to remove them from the feet. Discard all anchors. Do not reuse anchors to secure the cabinets to the floor.



**WARNING** Due to the weight of larger configurations, more than two people are needed to safely move the cabinet from the pallet. Do not lift by the countertop.

- 7** Lifting by the lower rails, remove the cabinet from the pallet.

## Prepare Cabinets Placed Against a Wall

Before a cabinet is positioned with its back against the wall, install the faucets. Use the manufacturer's instructions that ship with the product.

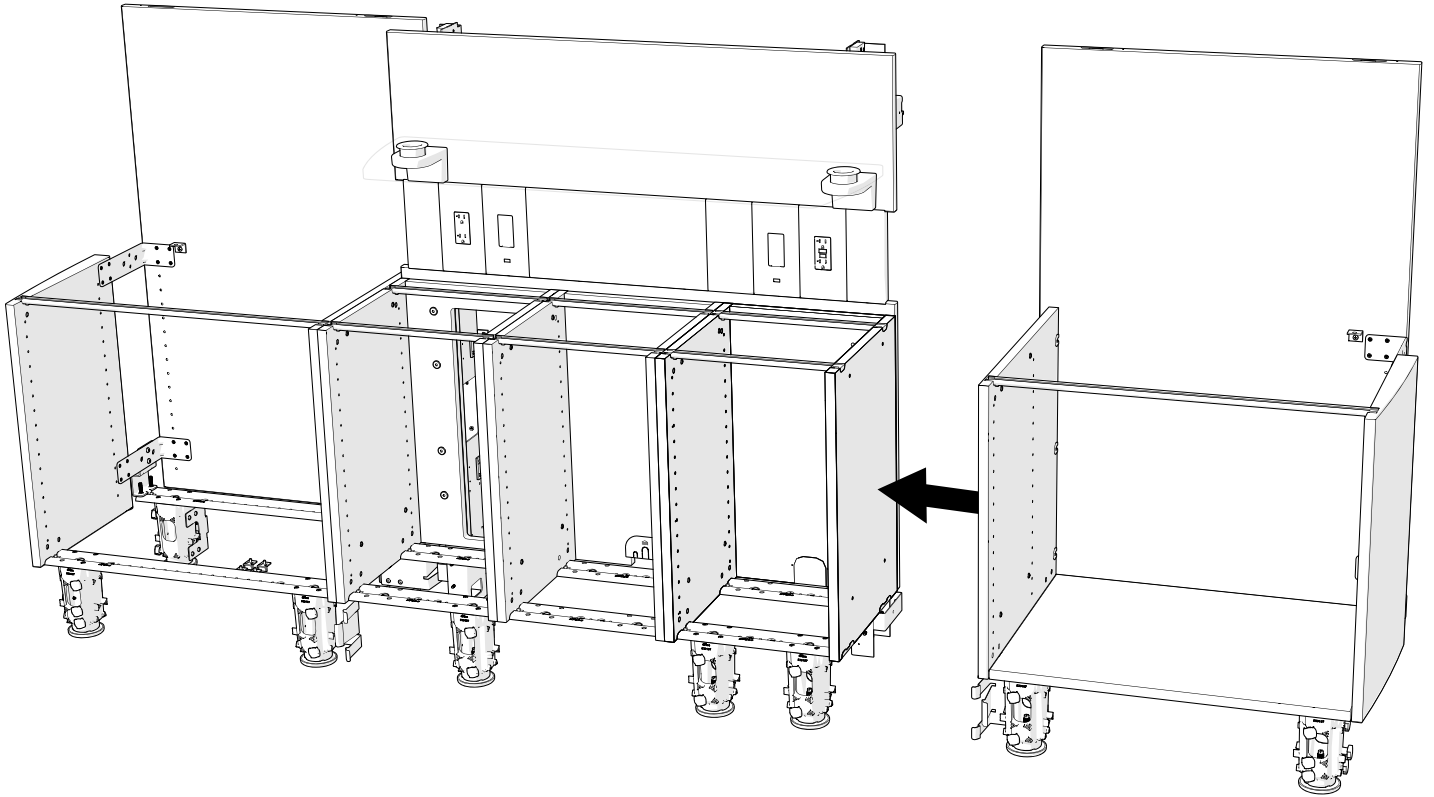
Also, if needed, make preparations for accessories, such as routing the ICV wiring or customizing the power panel for a nitrous oxide dispenser. These preparations can also be done after the cabinet is placed. See "Access the Power Panel to Install an Ancillary Device (optional)" on page 40 for instructions for accessing the power panel.

## Secure the Lowers and Install the Countertop (98" [249 cm] configuration only)

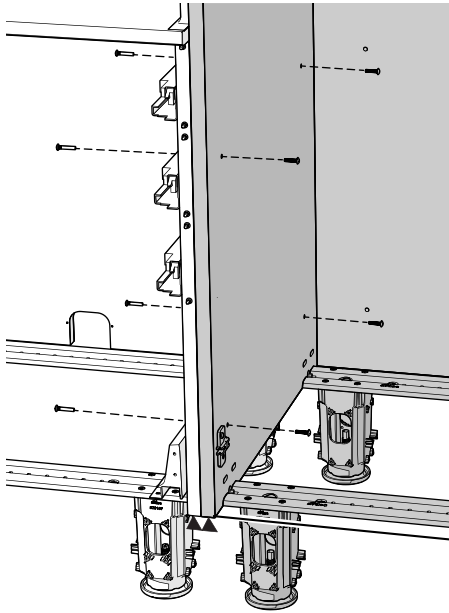
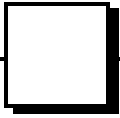
**B**

### Secure the Lowers

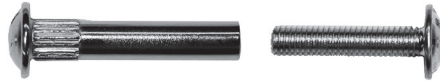
The 98" configuration ships in 70" and 28" (or two 14") sections. The 70" and 28" sections must be secured to each other.



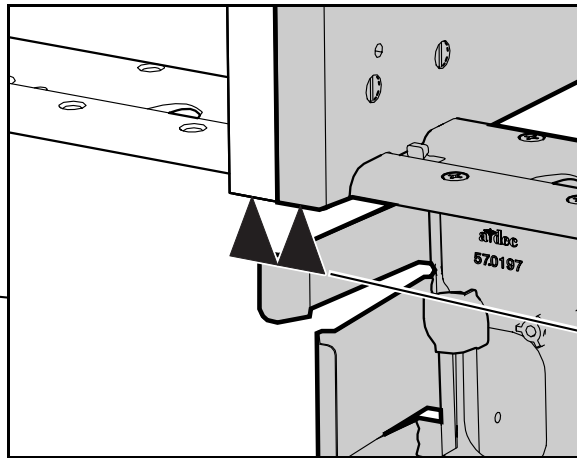
- 1** Position the two sections of the 98" configuration next to each other while aligning the holes in each module.



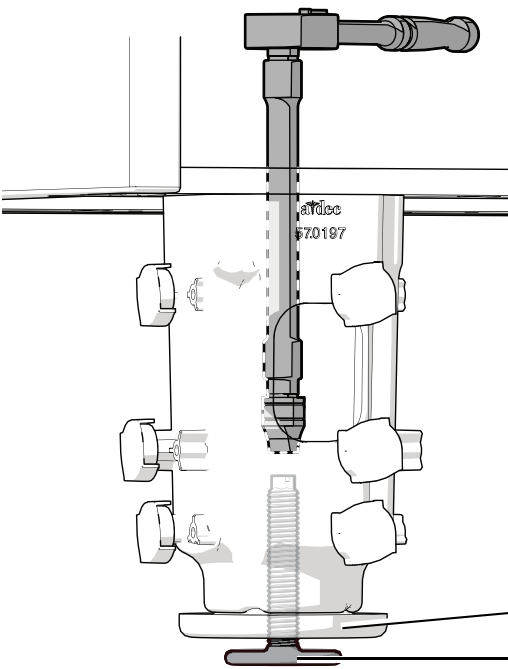
**2** Use four barrel bolts from the kit to secure the lower modules to each other.



Actual Size



Bottom Edges Are Flush



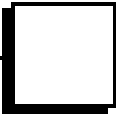
**TIP** To align the holes for the fasteners, check that adjacent side panel bottoms are flush. Use the leveling screws in the cabinet's feet to adjust the height of the panels (see below).



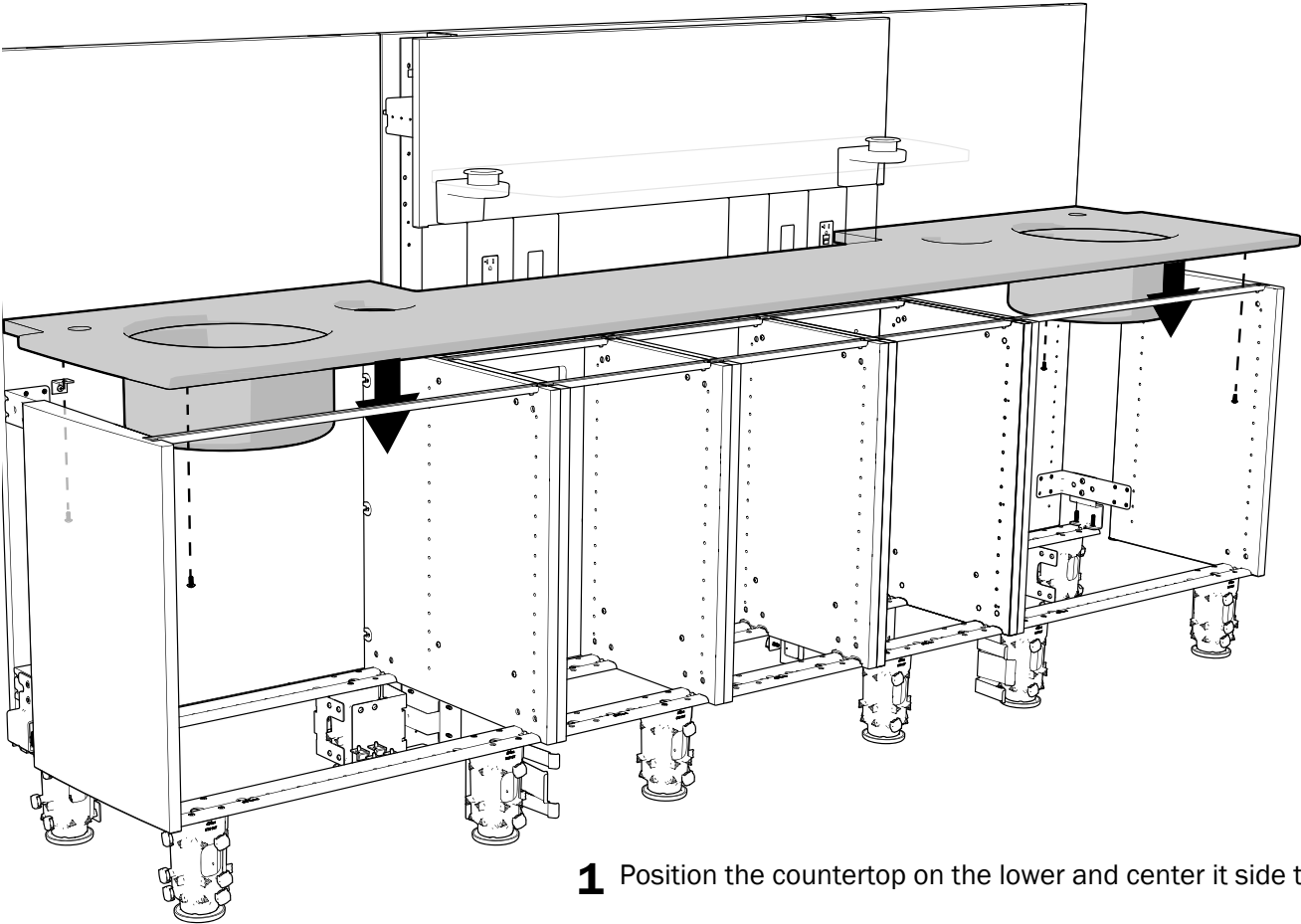
**NOTE** Extend the leveling screw (turn it clockwise) to raise the cabinet.

Cabinet Foot  
Leveling Screw

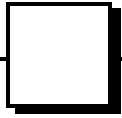




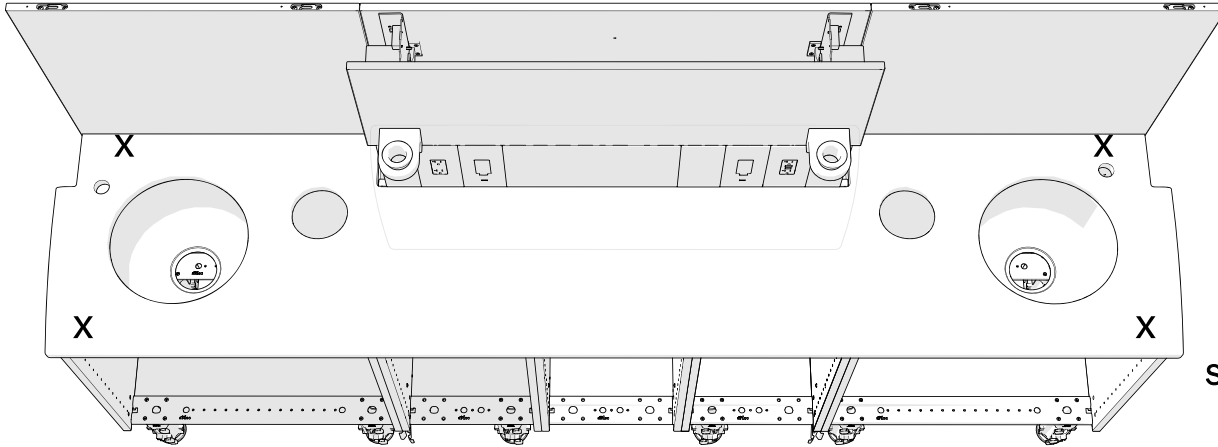
**Install the Countertop**



**1** Position the countertop on the lower and center it side to side.

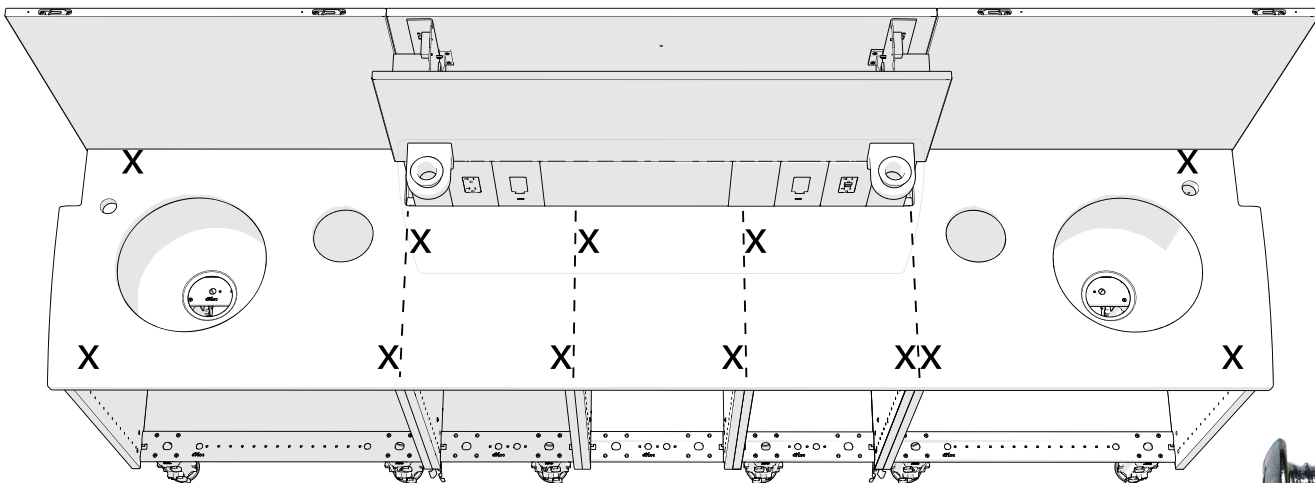


**2** To secure the countertop to the rails, install the screws in the following locations according to the cabinet's configuration.



**Screw for Quartz  
Countertops  
Actual Size**

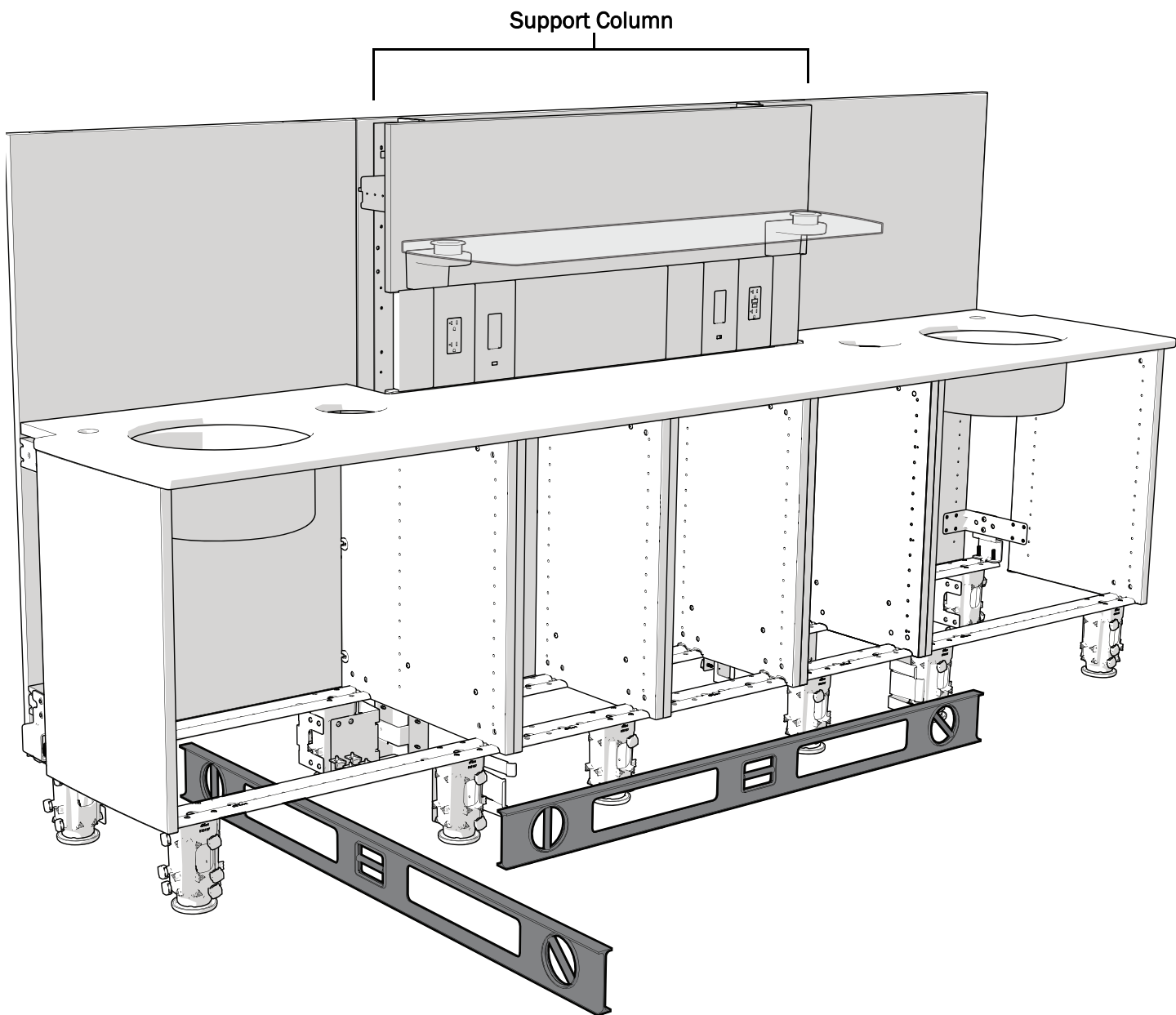
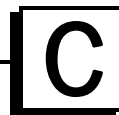
**Quartz Countertop Over All Lows**



**Screw for Solid  
Surface Countertops  
Actual Size**

**Solid Surface Countertop Over All Lows**

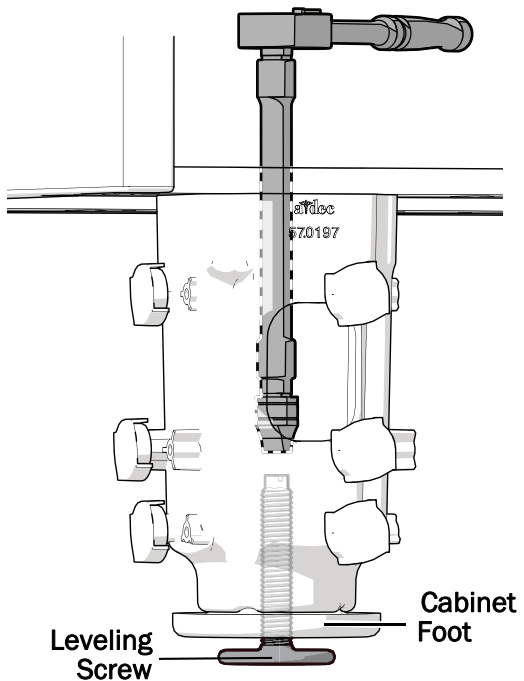
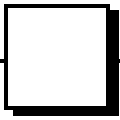
## Install and Level the Lower and Support Column



- 1** If the cabinet will be placed against a wall, reinstall the back panel.
- 2** Place the lower with support column in position.
- 3** Use a four-foot level to identify the high point of the floor by the cabinet, for both side to side and front to back.



**TIP** For a frame of reference while leveling, mark the high spot with a piece of tape in front of the cabinet.



Leveling Screw in a Cabinet Foot



**READ THIS!** Read all of the next two pages before beginning the leveling procedure.



**CAUTION** When adjusting the leveling screw, be sure to use a 6 point socket. 12 point sockets can damage the screws.



**CAUTION** To maintain the complete look and functionality of the cabinet, do not raise the cabinet more than 3/4" (19 mm).

- 4 Starting at the ends of the cabinet, use a 5/16" socket and ratchet (with extension) to adjust the leveling screws as needed.

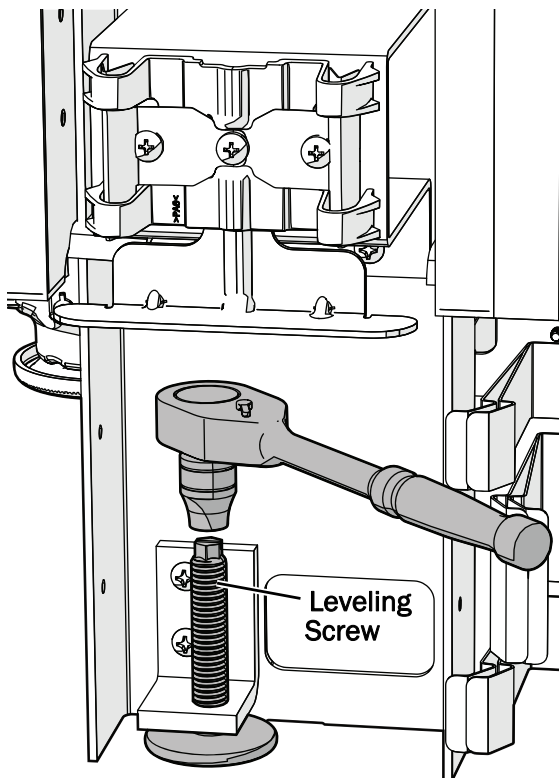


**NOTE** Extend the leveling screw (turn it clockwise) to raise the cabinet. Retract the screw to lower the cabinet.

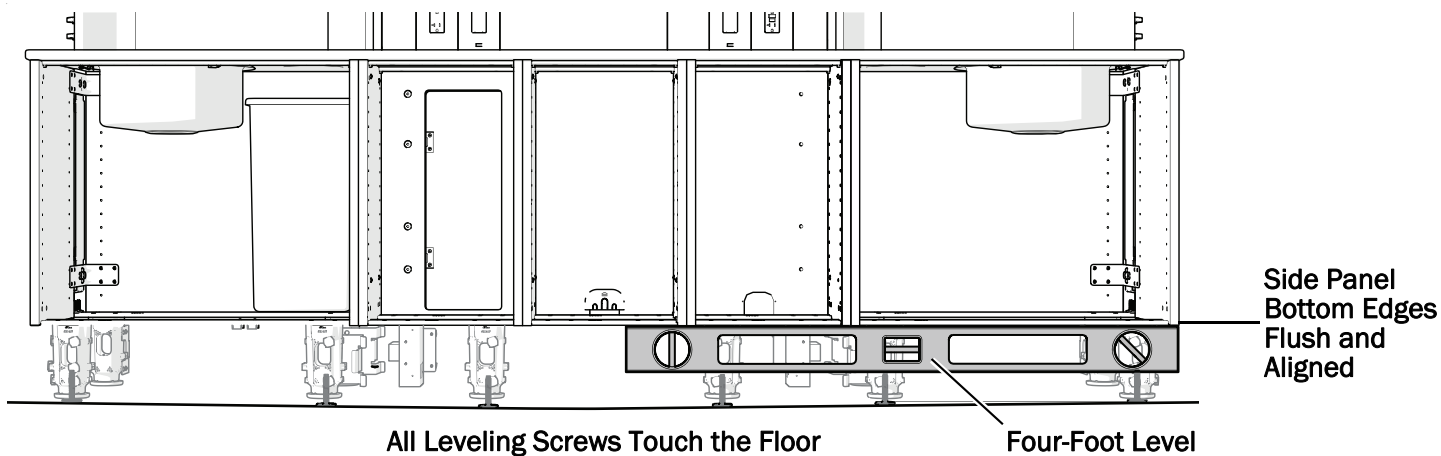
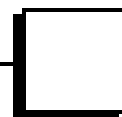
- 5 Work from side to side and end to end. Adjust the leveling screws to raise cabinet sections until they are even with the high point and the entire cabinet is level.



**NOTE** Continue to alternate side to side and end to end adjustments during the entire leveling process.



Leveling Screw in a Support Column



**6** Use a straight edge to make sure the bottom edges of all the side panels, from module to module, are flush and aligned. A base cover may be used if no other straight edge is available.

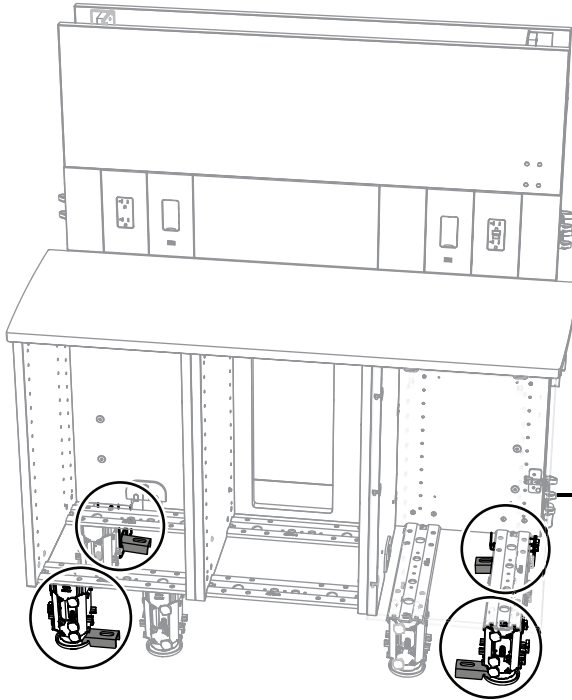
**7** Make sure all of the leveling screws are touching the floor.



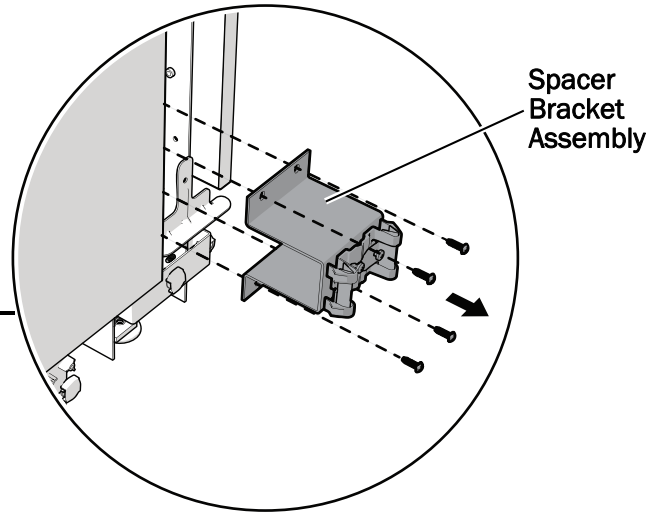
**TIP** To check that the leveling screw is touching the floor, try to slide a piece of paper under it.

# D Anchor the Cabinet

## Determine the Anchor Locations



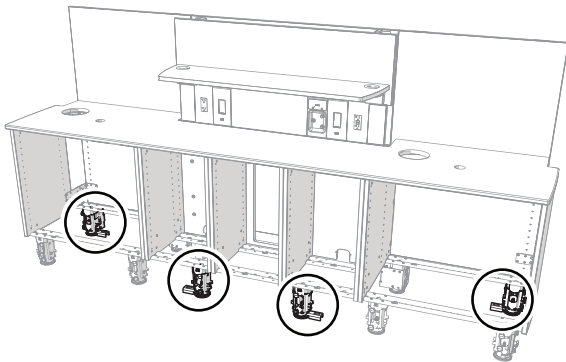
When Against a Wall (optional)



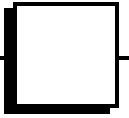
For all configurations, it is recommended to place two anchors on the front feet of the 42" (106.7 cm) section and two anchors on the support column.



**NOTE** If the cabinet is against a wall, remove the spacer bracket assembly with a Phillips head screwdriver to access the support column. Replace the bracket once the cabinet is anchored.



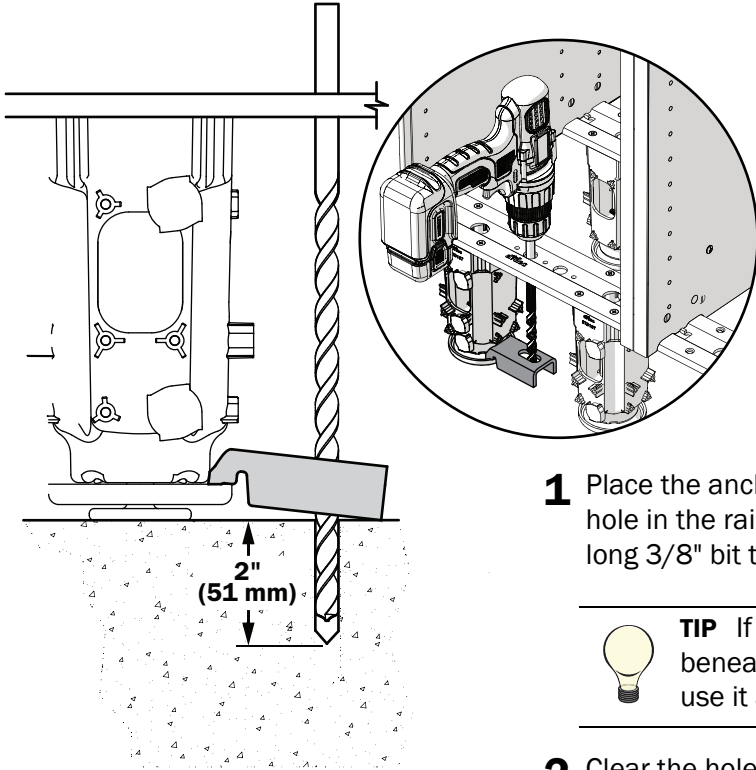
For 70" (177.8 cm) and 98" (248.9 cm) configurations, if it is not possible to get the rear anchors on the support column, place them on the rear outside feet.



## Secure the Anchors

At each anchor location, complete the steps in the section for the type of floor. See the next page for wood floors.

### Concrete Floors



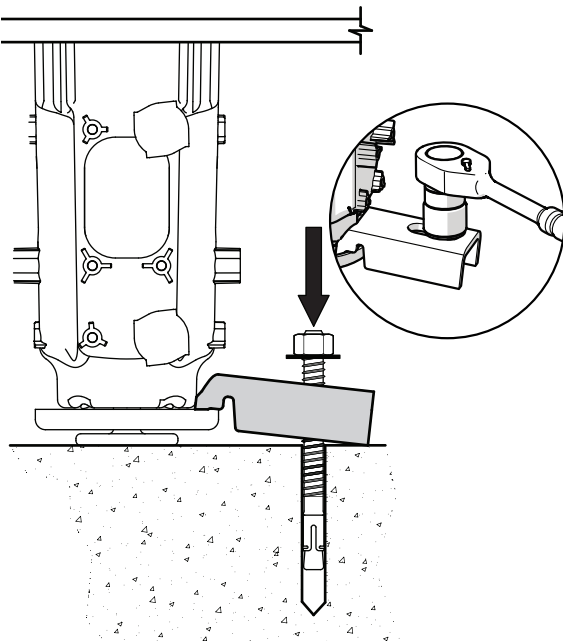
**CAUTION** If the flooring material is not at least 4" (101.6 mm) thick, consult a licensed contractor about adding reinforcement to the flooring.

- 1 Place the anchor on the foot or support column and align it with a hole in the rail. Through the holes in the rail and anchor, use a 10" long 3/8" bit to drill a hole a minimum of 2" (51 mm) deep.



**TIP** If you need to place the anchor in a location other than beneath the rail hole, position the anchor on the foot and use it as a template for drilling the hole.

- 2 Clear the hole of all debris.

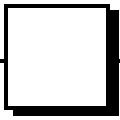


- 3 Place the washer and nut on the anchor bolt, then insert the bolt through the anchor into the hole.
- 4 Drive the bolt into the hole until the washer is touching the anchor.

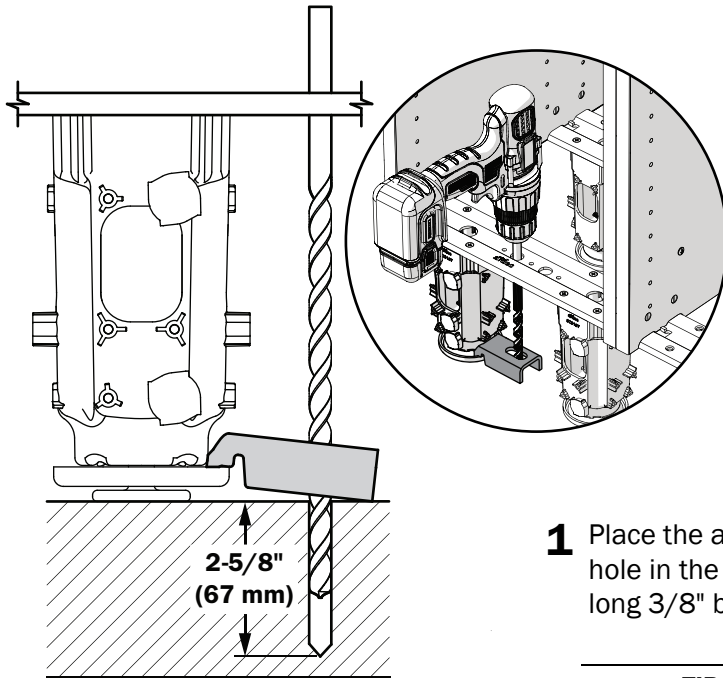


**TIP** Use a 1/2" (12.7 mm) dowel to help drive the anchor bolt.

- 5 Use a 9/16" socket and ratchet to tighten the nut until it is snug against the anchor.



## Wood Floors

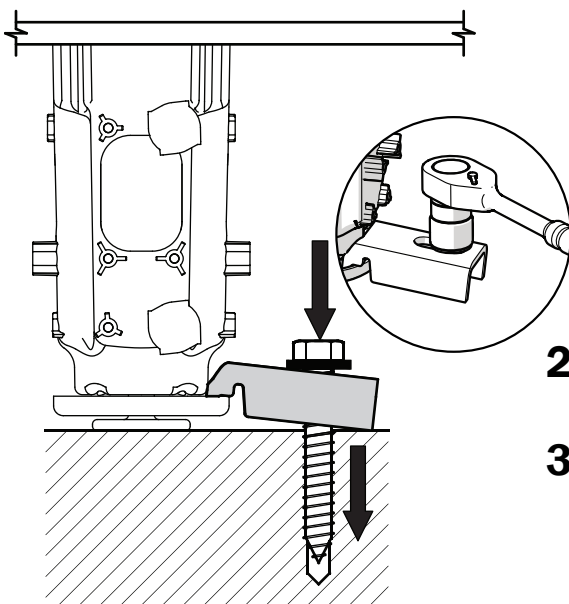


**CAUTION** If the flooring material is not at least 3" (76.2 mm) thick, consult a licensed contractor about adding reinforcement to the flooring.

- 1** Place the anchor on the foot or support column and align it with a hole in the rail. Through the holes in the rail and anchor, use a 10" long 3/8" bit to drill a hole a minimum of 2-5/8" (67 mm) deep.



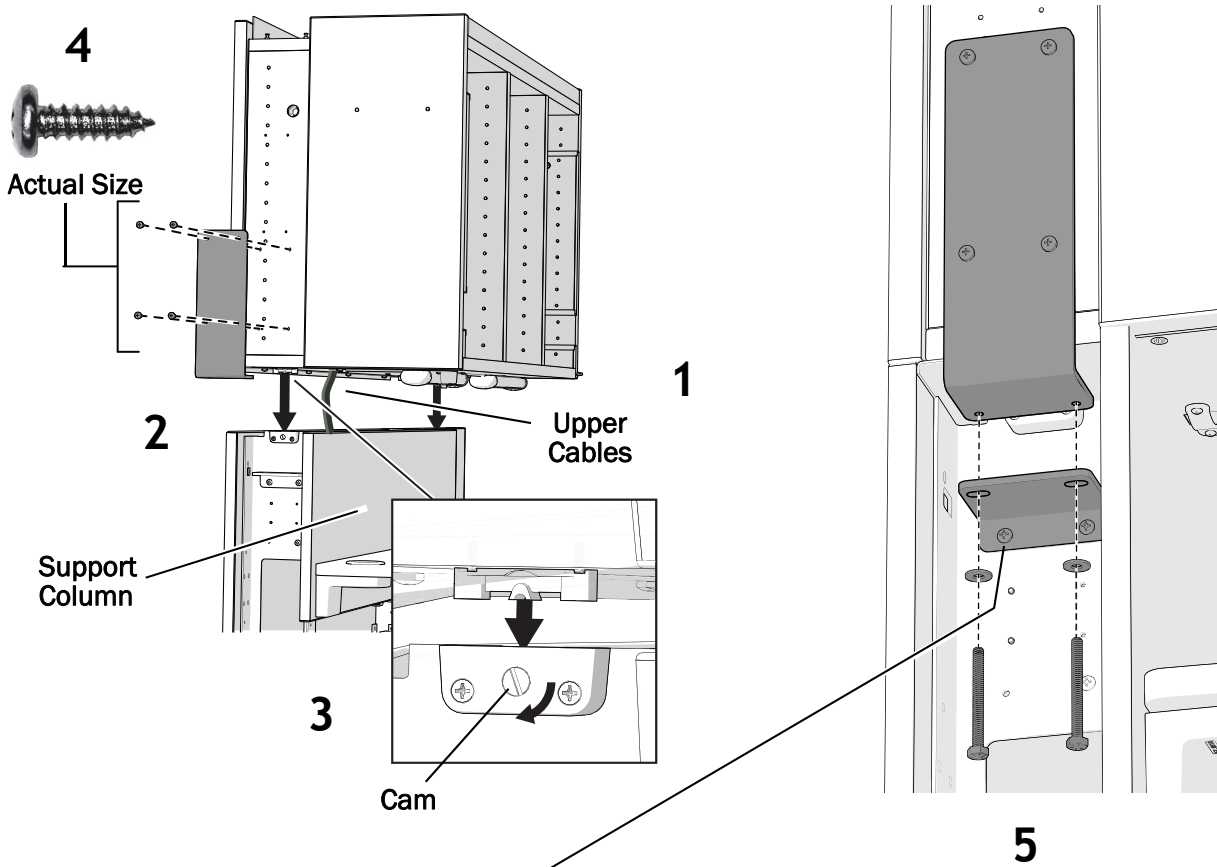
**TIP** If you need to place the anchor in a location other than beneath the rail hole, position the anchor on the foot and use it as a template for drilling the hole.




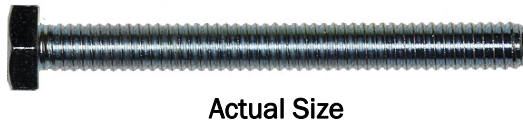
- 2** Place the washer on the anchor bolt, then insert the bolt through the anchor into the hole.
- 3** Use a 3/4" socket and ratchet to tighten the bolt until it is snug against the washer and firmly secures the cabinet to the floor.




# Install the Upper



 **TIP** If the holes for the two brackets do not align, loosen the mounting screws for the lower L-bracket and reposition it.



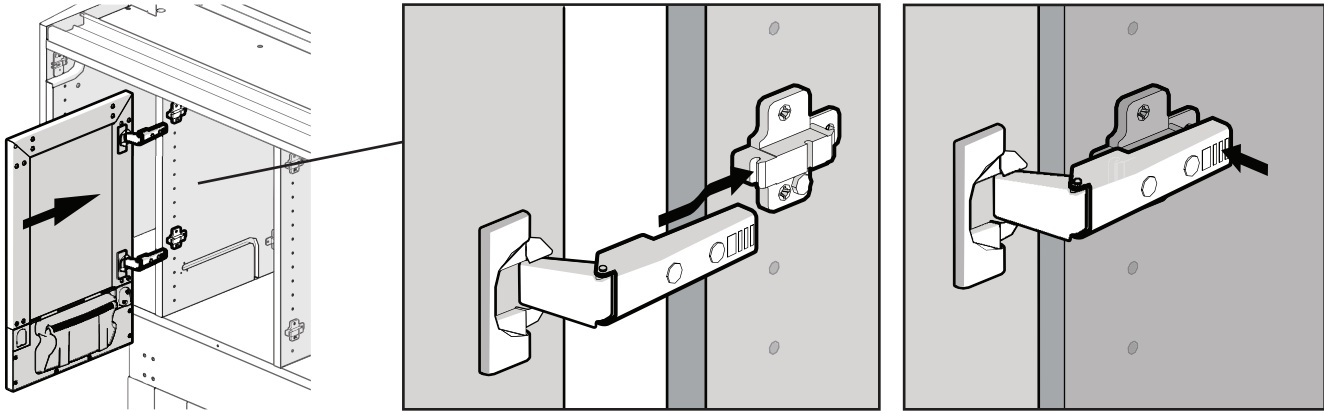
 **CAUTION** If the system includes a drop-down shelf, do not remove the packaging inside of the shelf compartment until the upper is installed. The packaging provides structural support needed until the upper is secured.

- 1** Route the cables down the support column to the base of the cabinet.
- 2** Position the upper on the support column.
- 3** Use a standard screwdriver to lock the cams on both sides.
- 4** On both sides, use four screws to secure the L-bracket to the upper.
- 5** Thread two 1/4" bolts from the lower L-bracket to the upper one. Begin with the back bolts on each side and turn each bolt an equal amount, then do the same for the front bolts. Repeat this process until level.

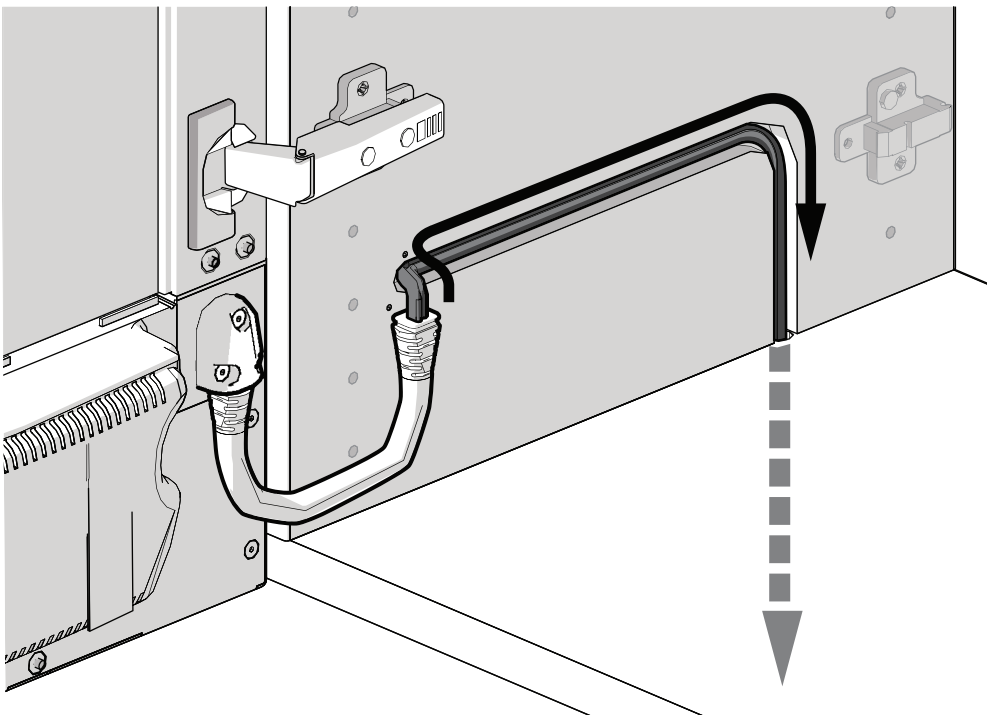
## **F** Install the Control Center (optional)



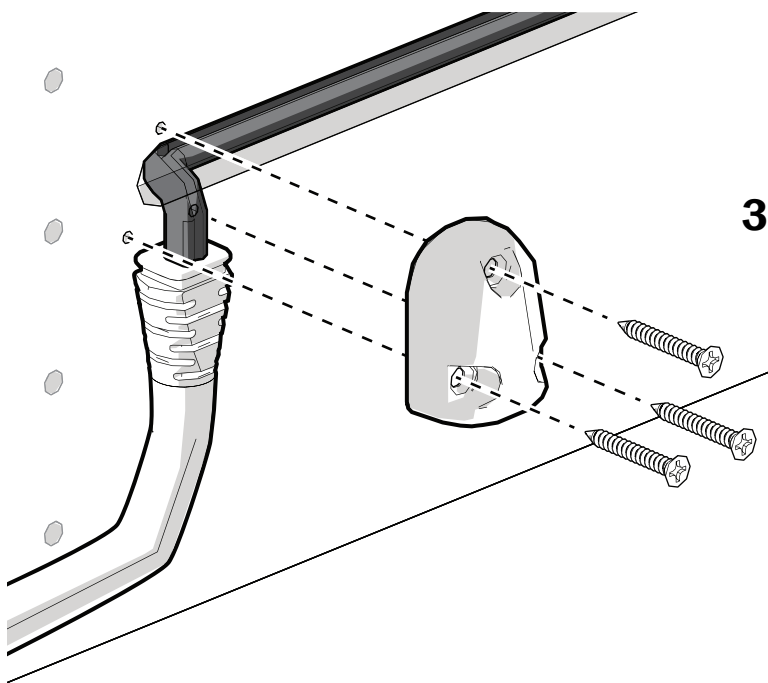
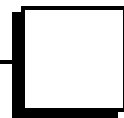
**NOTE** The door that includes the control center ships in its own box.



**1** Insert the door and secure it on the hinges.



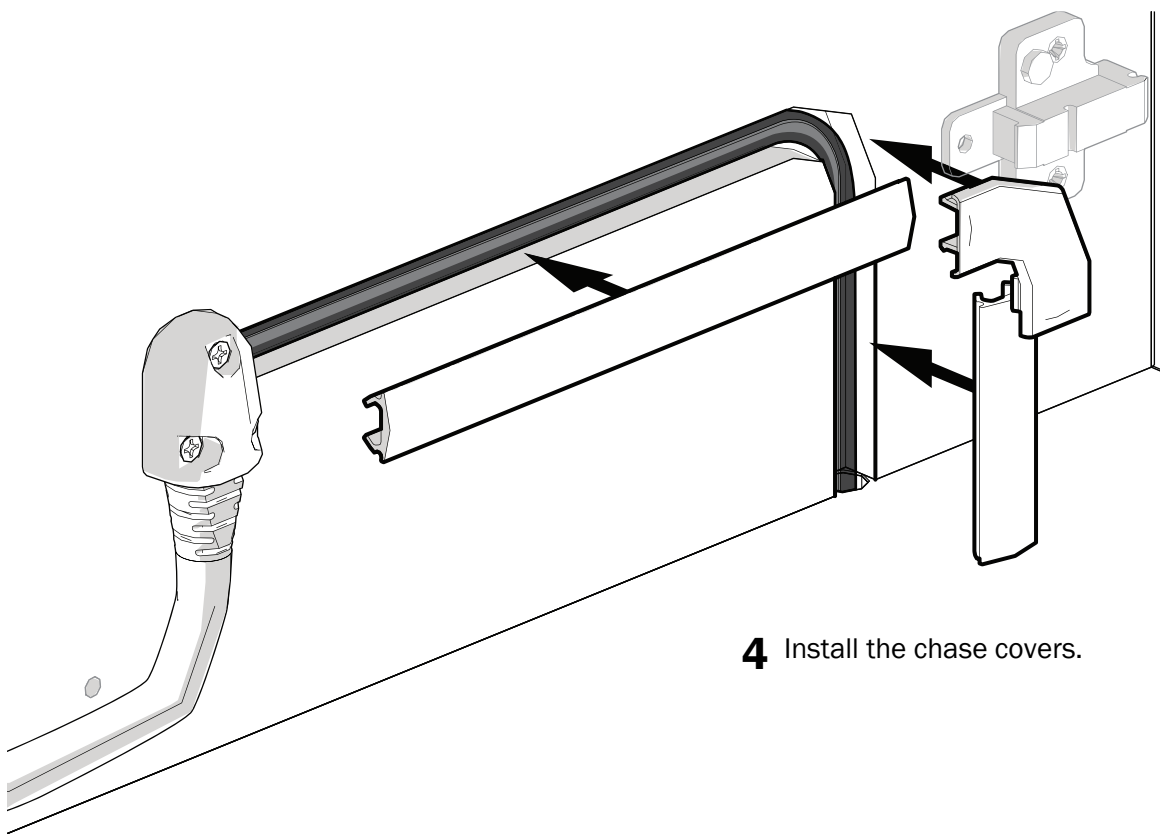
**2** Route the wires into the chase and through the bottom of the upper.  
If the system includes a flip-down shelf, see “Route Control Center Cables Through the Flip-Down Shelf (optional)” on page 20 for additional routing instructions.



**3** Use three screws to secure the strain relief.



Actual Size



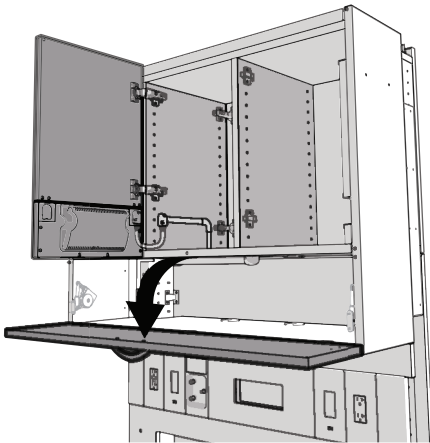
**4** Install the chase covers.

## **G** Install the Flip-Down Shelf (optional)

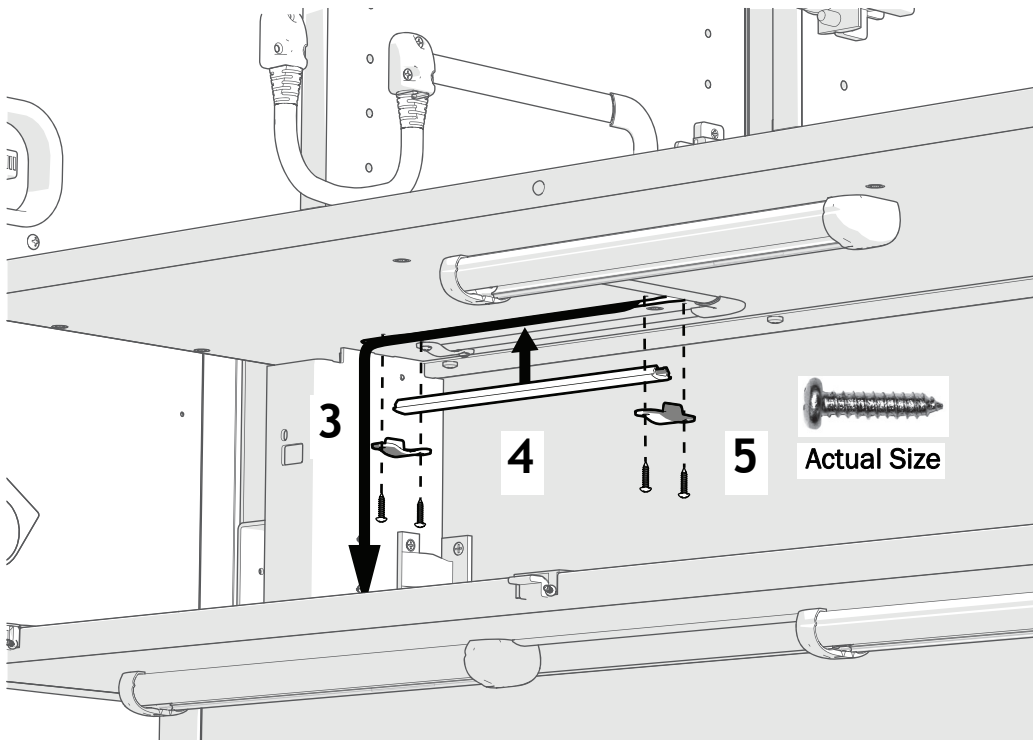


**NOTE** If the system includes a control center, install it before installing the flip-down shelf. For instructions, see “Install the Control Center (optional)” on page 18.

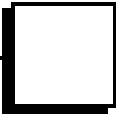
### Route Control Center Cables Through the Flip-Down Shelf (optional)



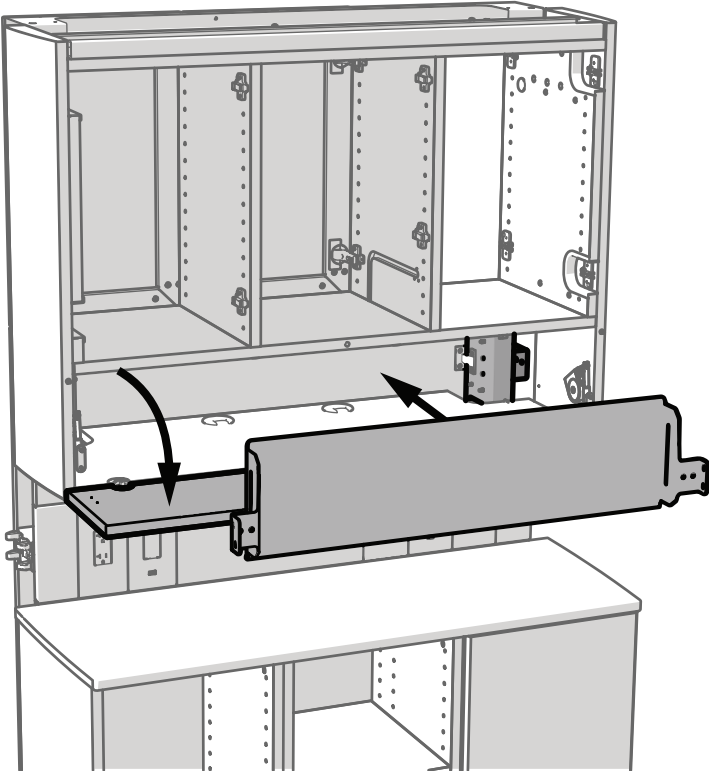
- 1** Flip down the shelf.
- 2** Remove the packing.



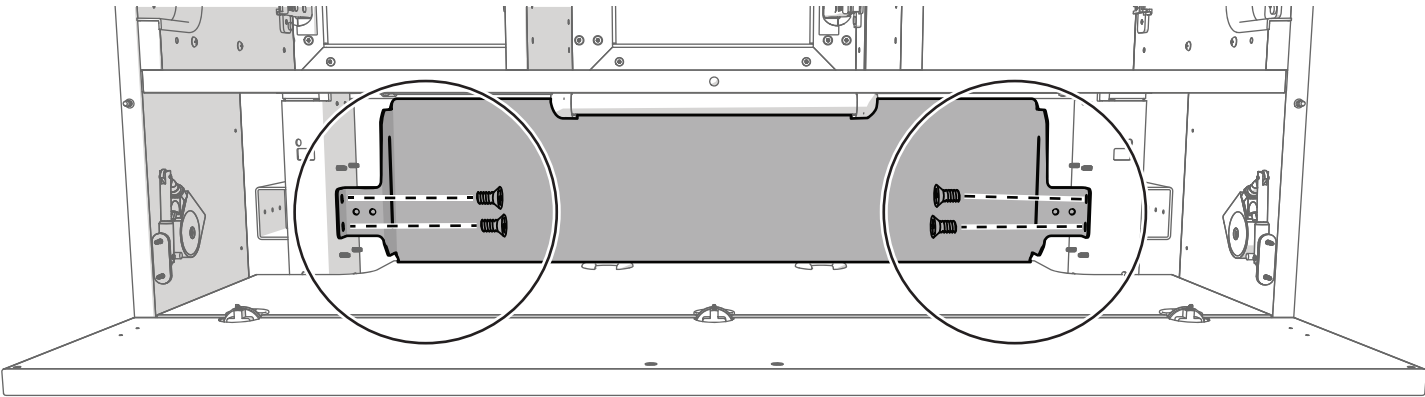
- 3** Route the cables into the chase and down the support column.
- 4** Install the chase cover.
- 5** Use four screws to install the strain reliefs.



### Install the Flip-Down Shelf



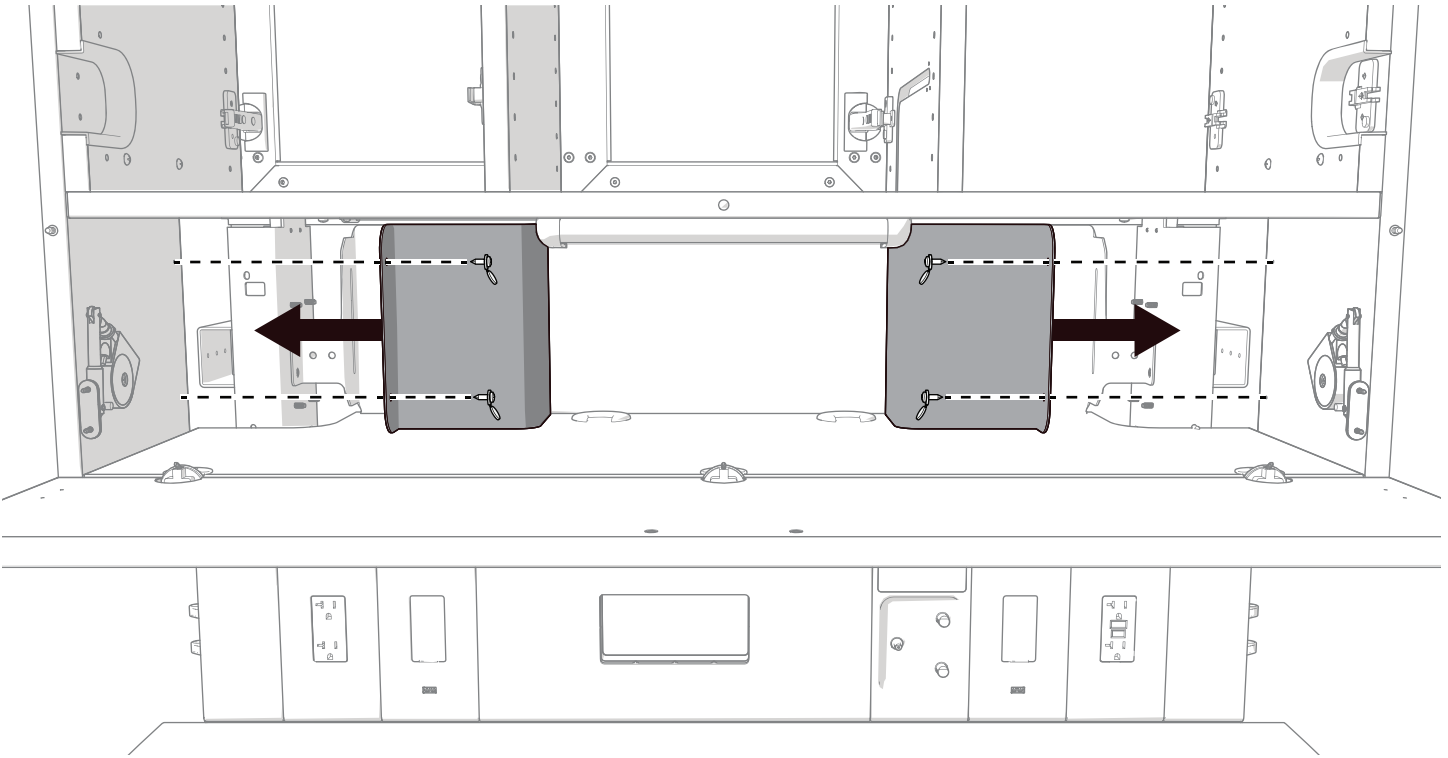
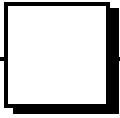
**1** Open the door and insert the finish panel.



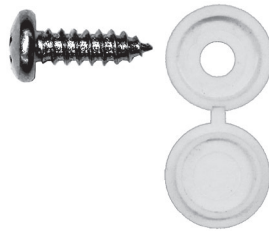
**2** Use a power screwdriver with a Phillips head bit and four self-tapping screws to secure the panel.



Actual Size

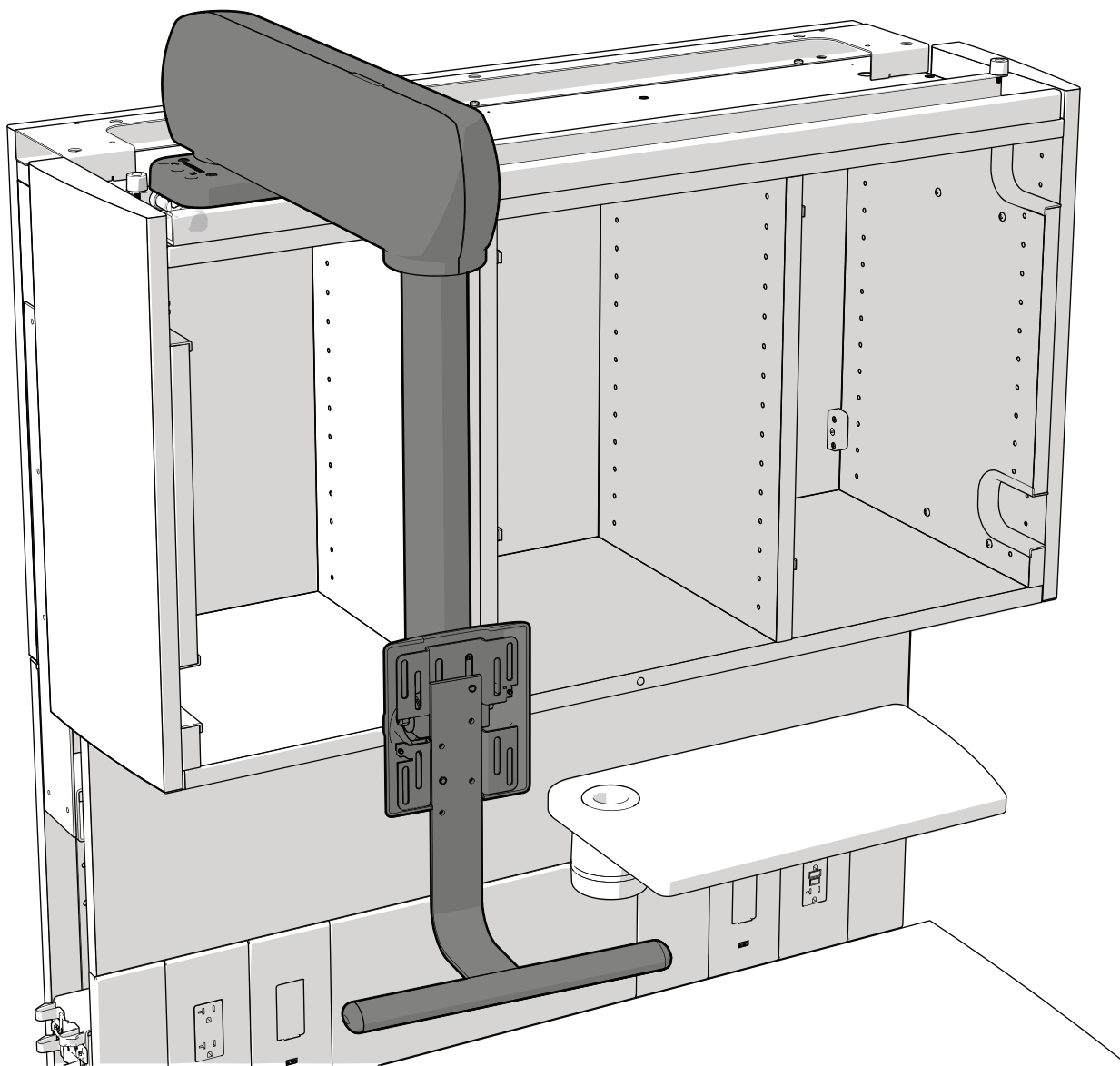


- 3** Install a cover cap on each screw, then use four screws to secure the corner covers.



Actual Size

## Install the Monitor Mount

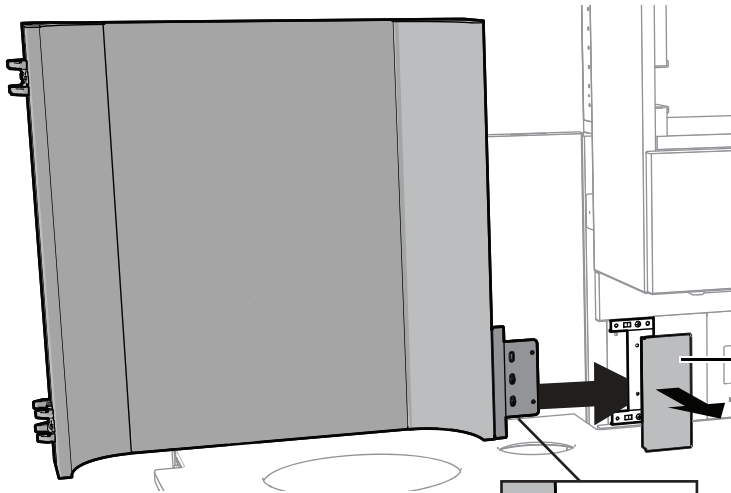


If the system includes a monitor mount, install it now. For installation instructions, see the installation guide that ships with the product.

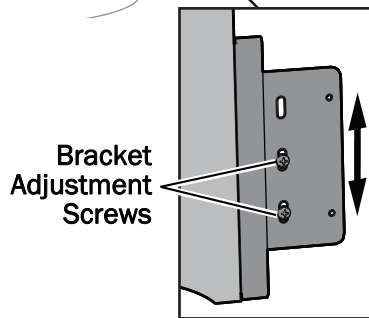
# I

## Install the Alcove

(does not apply to 42" [106.7 cm] configurations)

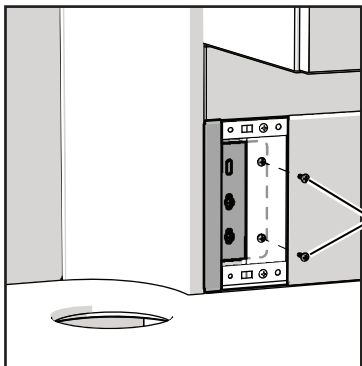


**1** Pull off the access panel.



**2** On the alcove, loosen the bracket adjustment screws until the bracket can move up and down.

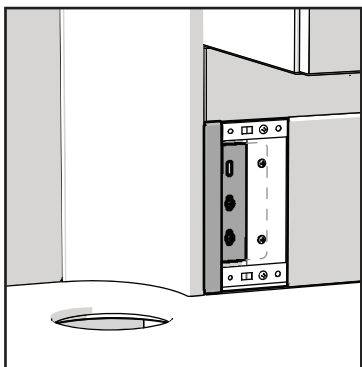
**3** Slide the alcove bracket behind the support column frame and place the alcove into position.



**4** Align the holes in the bracket with the holes in the support column then use a power screwdriver with a Phillips head bit to secure the alcove with two self-tapping screws.



Actual Size



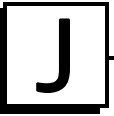
**5** Tighten the adjustment screws.

**6** Reinstall the access panel.

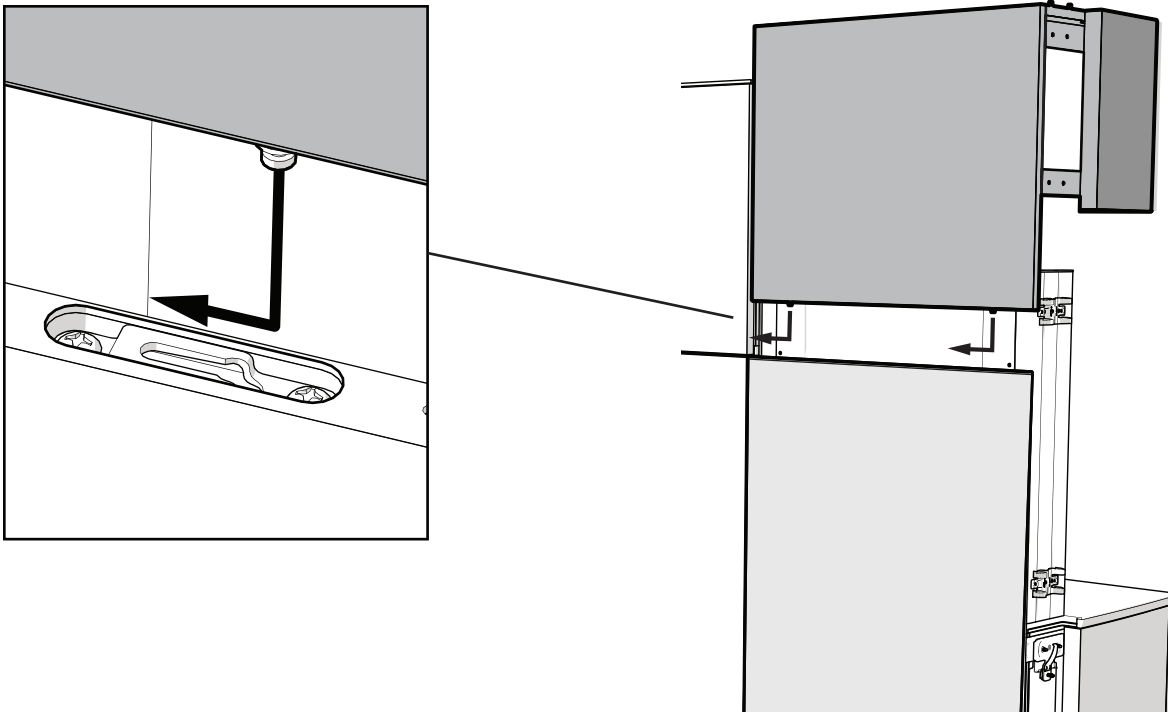
**7** If the system includes two alcoves, repeat the steps on the other side of the support column.



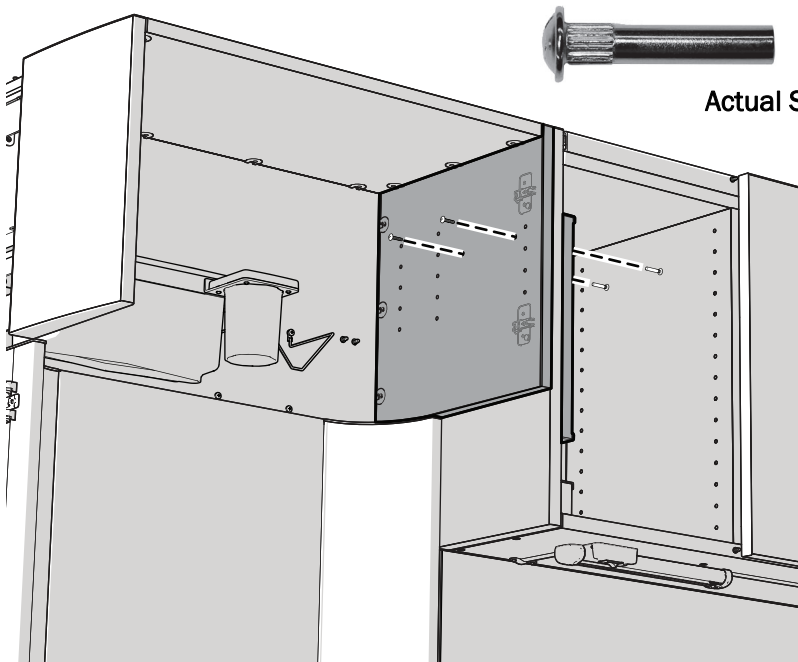
## Install the Dispenser



(does not apply to 42" [106.7 cm] configurations)



- 1 Align the pins in the bottom of the dispenser with the keyhole opening in the alcove.
- 2 Lower the dispenser onto the alcove and slide it toward the center section.



- 3 Use two barrel bolts to secure the dispenser to the upper.



**TIP** Use an awl to align the holes and start the barrel bolts.

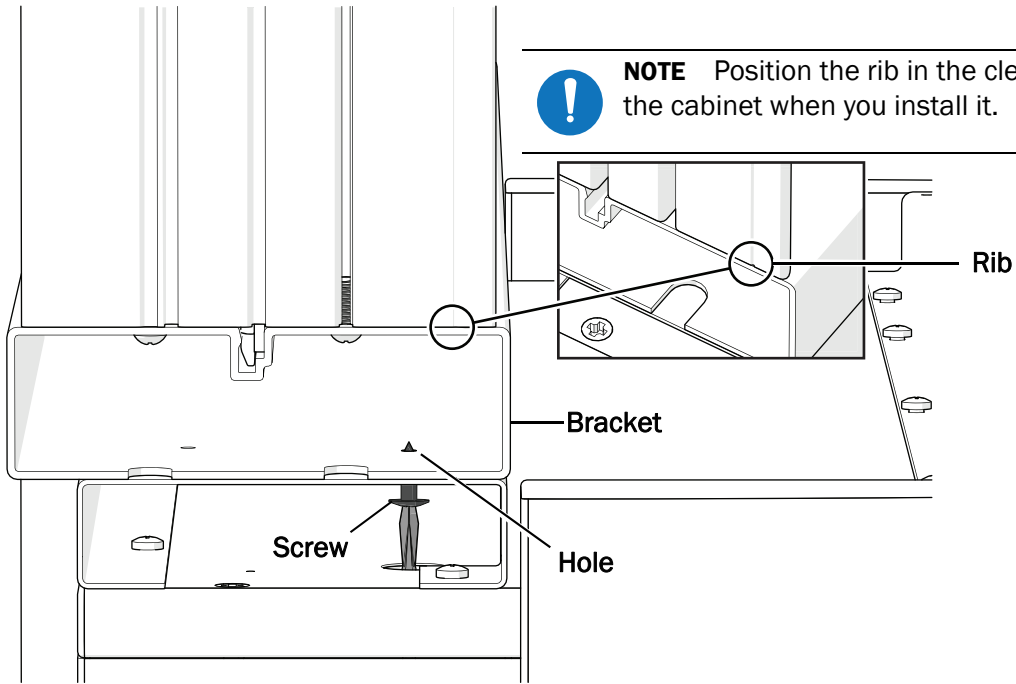
- 4 If the system includes two dispensers, repeat the steps on the other side of the support column.

# K Install the Extension

Select the procedure for the type of extension.

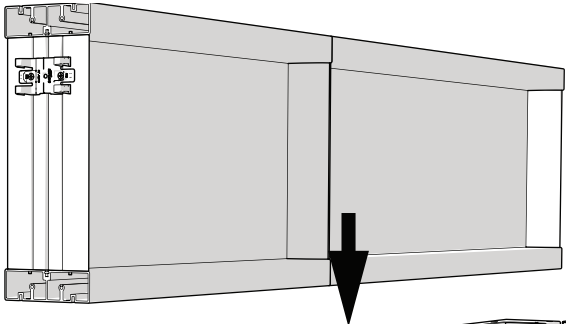
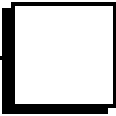
- Clerestory** ..... **This page**
- Soffit** ..... **29**

## Clerestory

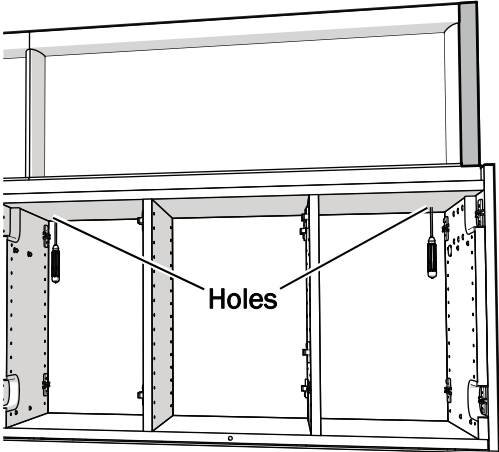
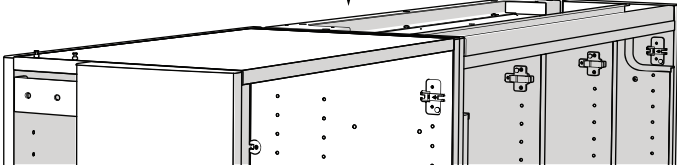


**NOTE** Position the rib in the clerestory toward the front of the cabinet when you install it.

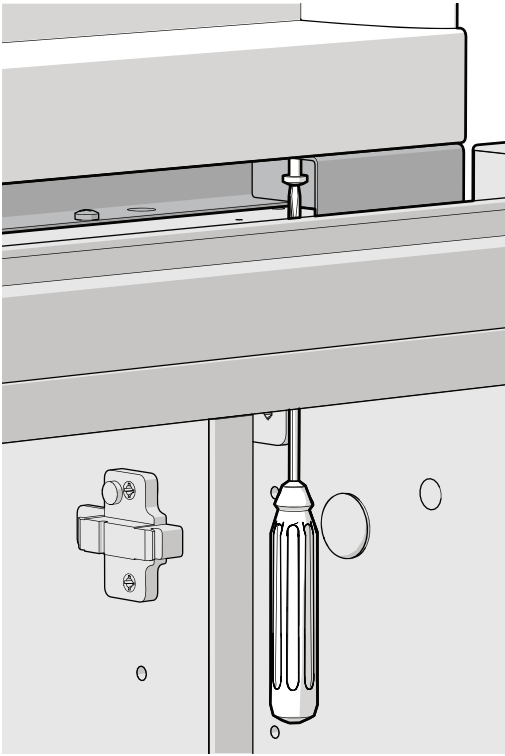
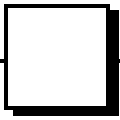
**NOTE** The clerestory is secured to the 42" (106.7 cm) cabinet section by installing four short screws through the bracket and into the holes in the frame of the clerestory.



**1** Place the clerestory in position on top of the uppers.



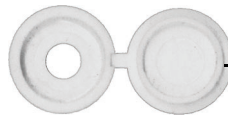
**2** Locate the four large access holes in the top of the 42" (106.7 cm) cabinet.



- 3** Insert a short screw, on the tip of a Phillips head screwdriver with extension, through the access hole and into the hole in the bottom of the clerestory. Secure the clerestory to the metal bracket.



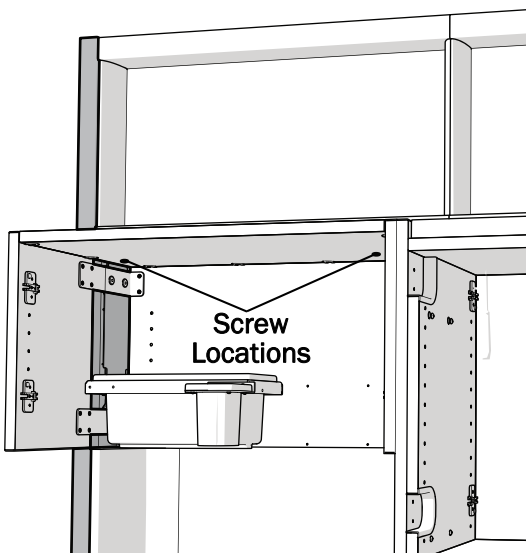
Actual Size



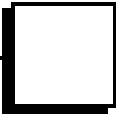
Cover Cap



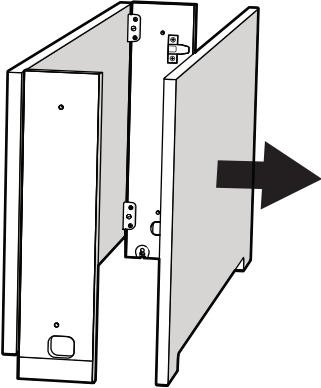
Actual Size



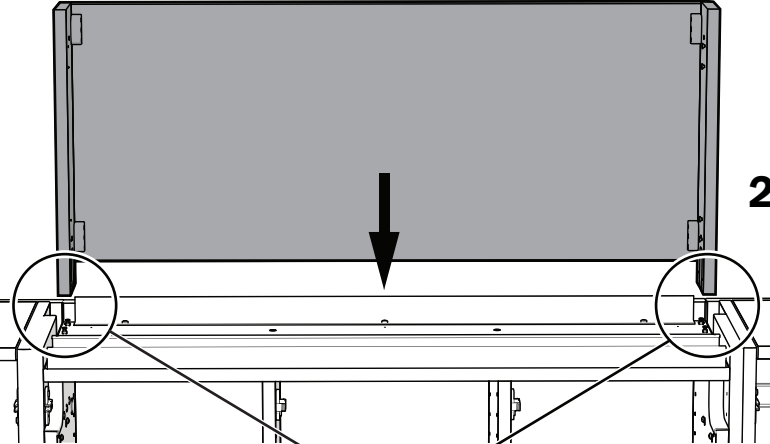
- 4** If there are additional sections to the clerestory, install a cover cap on each screw, and through the top of the cabinet, use three screws per section to secure the clerestories.



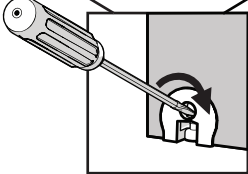
**Soffit**



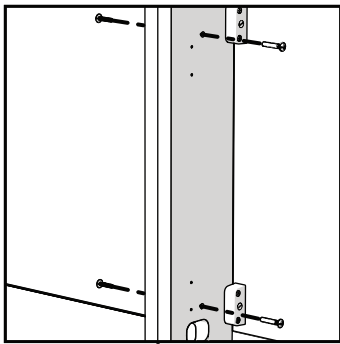
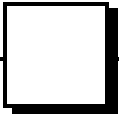
**1** Remove the front panels.



**2** Place the soffit in position on top of the upper.



**3** Use a Phillips head screwdriver to close the four cams.

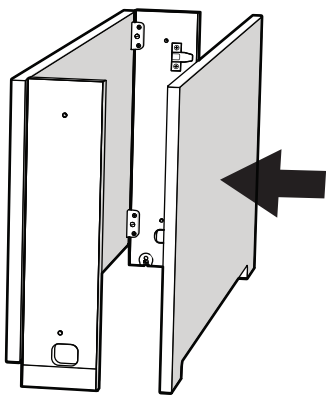
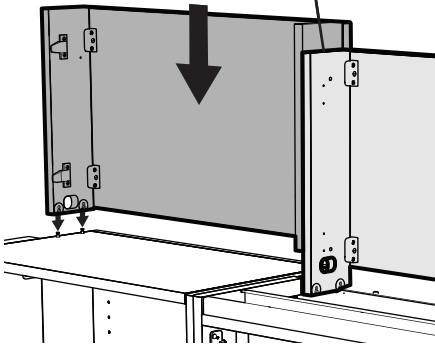


**4** 70" (177.8 cm) and 98" (248.9 cm) configurations only:

- 1 Repeat steps 1 through 3 for each soffit that goes above a dispenser.
- 2 Use two barrel bolts to secure each side soffit to the center soffit.

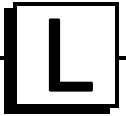


Actual Size



**5** Reinstall the front panels.

# Install the Column Covers

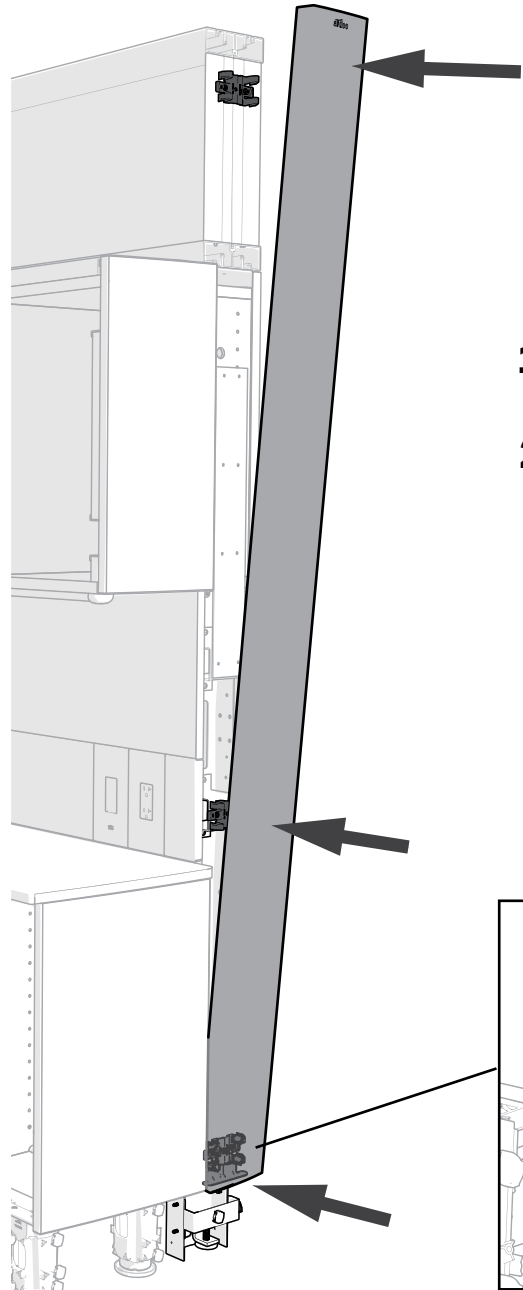
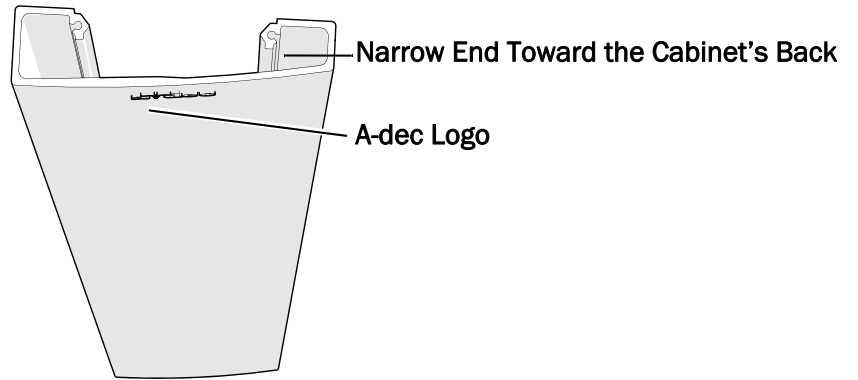


Select the procedure for the type of column cover.

**Install a Column Cover** .....This page

**Install a Structural Column Cover** .....34

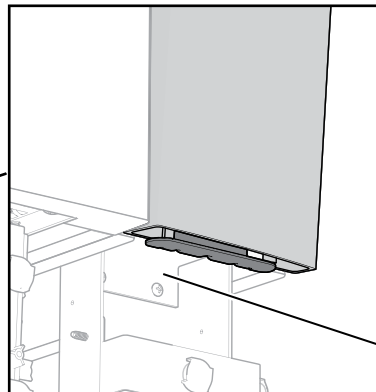
## Install a Column Cover



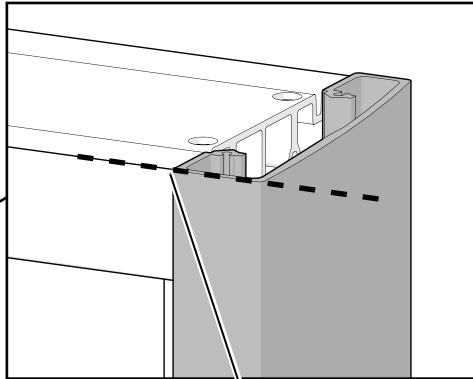
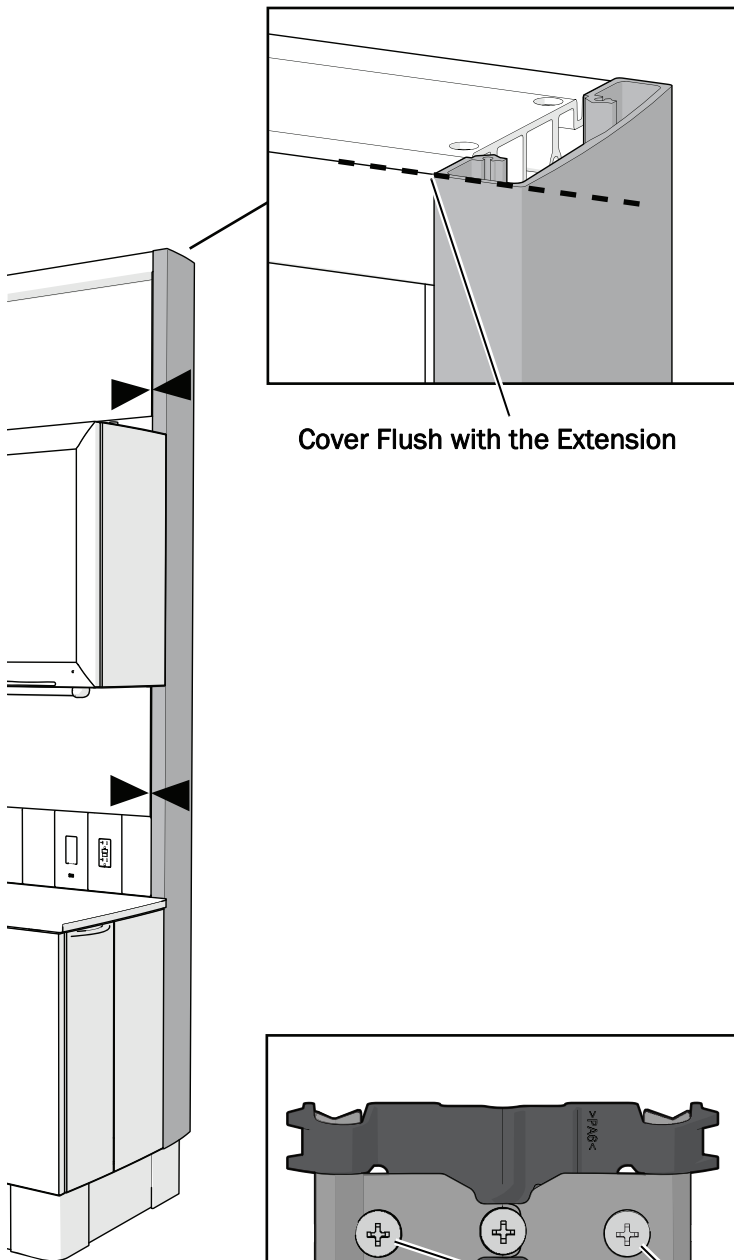
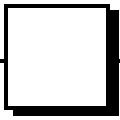
- 1** With the A-dec logo at the top and the cover's narrow end toward the cabinet's back, rest the cover on the locator bracket.
- 2** Starting at the bottom and working toward the top, snap the cover onto the spring clips.



**TIP** If it's difficult to snap on the covers, loosen the adjustment screws on the spring clip. See the image on the following page for the location of the adjustment screws.



Locator Bracket



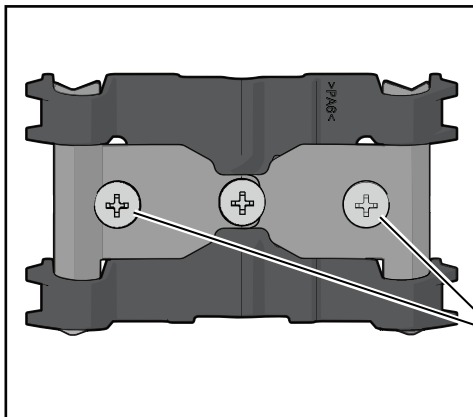
Cover Flush with the Extension

**3** Verify that the top of the cover is flush with the top of the extension.

**4** From the front, make sure the cover is flush against the extension and support column. To adjust the size of the gap between the cover and the cabinet, remove the cover and adjust the two outside screws on each spring clip.

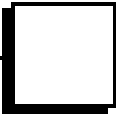


**NOTE** Adjust both screws by equal amounts or the cover may shift side to side.

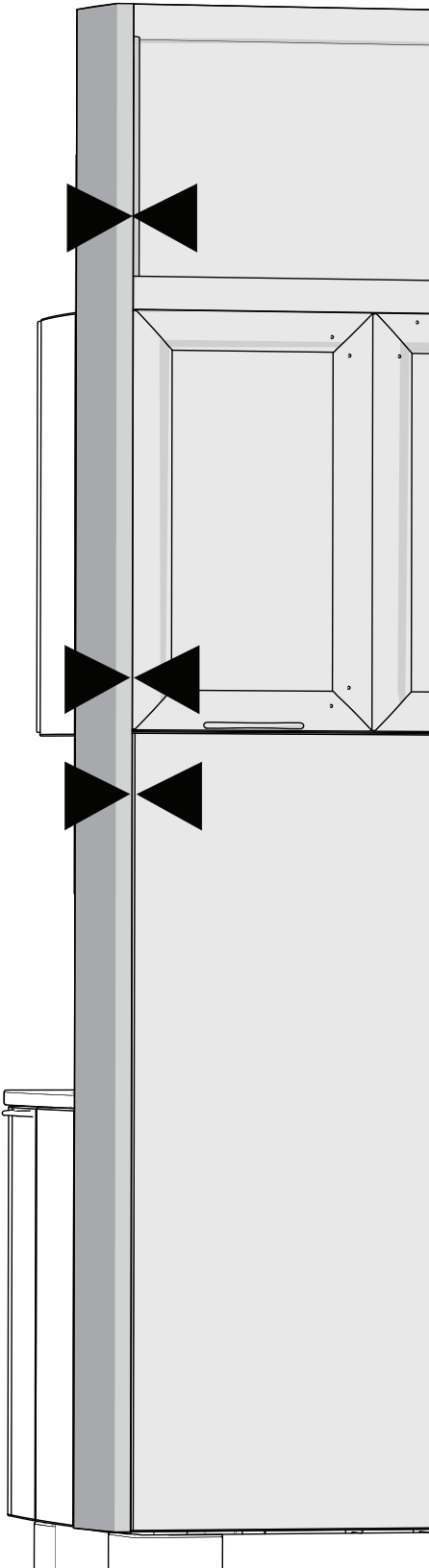


Adjustment Screws

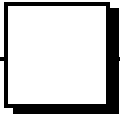




**Free-Standing Cabinets Only**

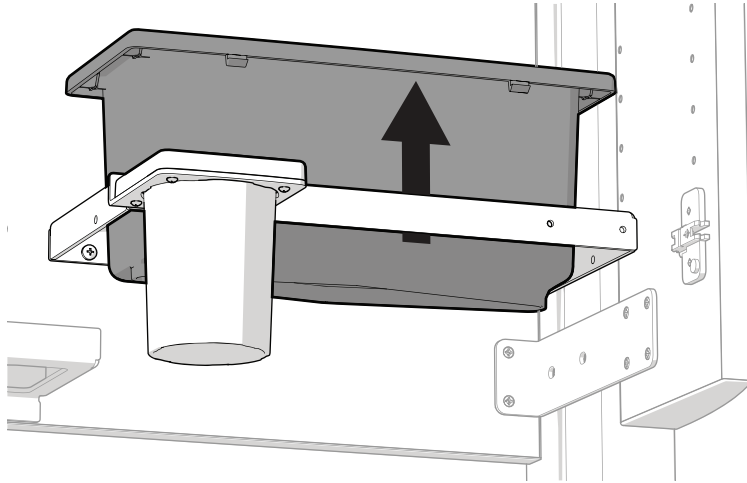


- 5** From the back, make sure the column cover is flush against the extension and maintains a consistent gap alongside the upper and lower (matching the door gaps if present).

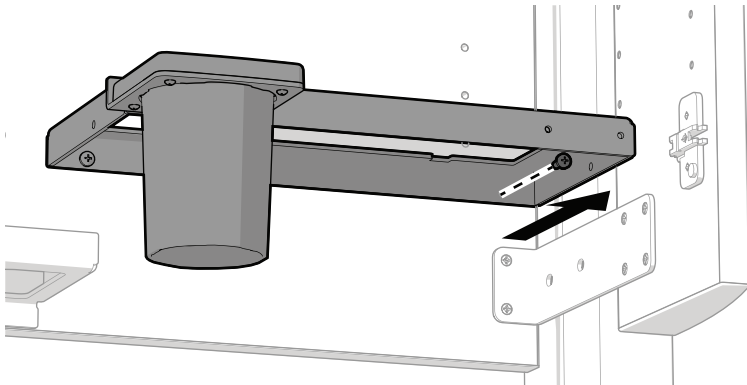


## Install a Structural Column Cover

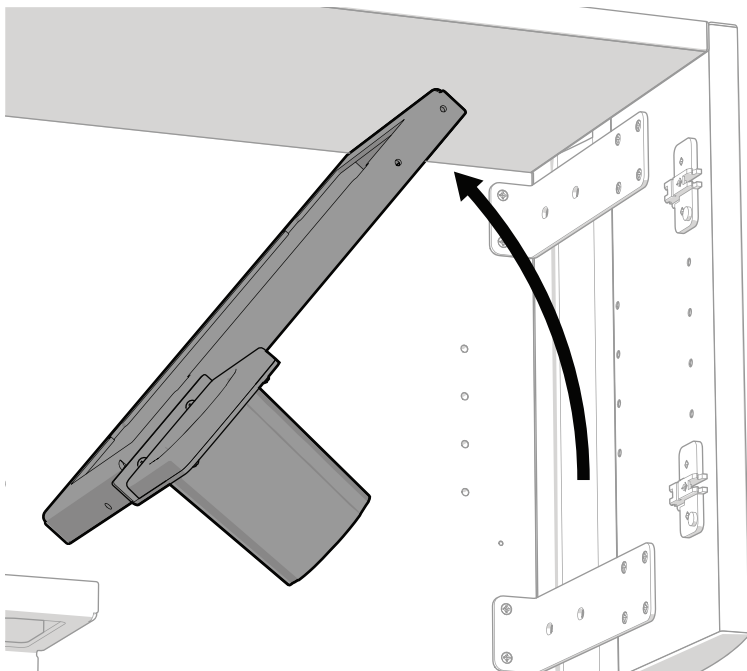
Install structural column covers next to ends that are by alcoves and sinks to properly support the cabinet.



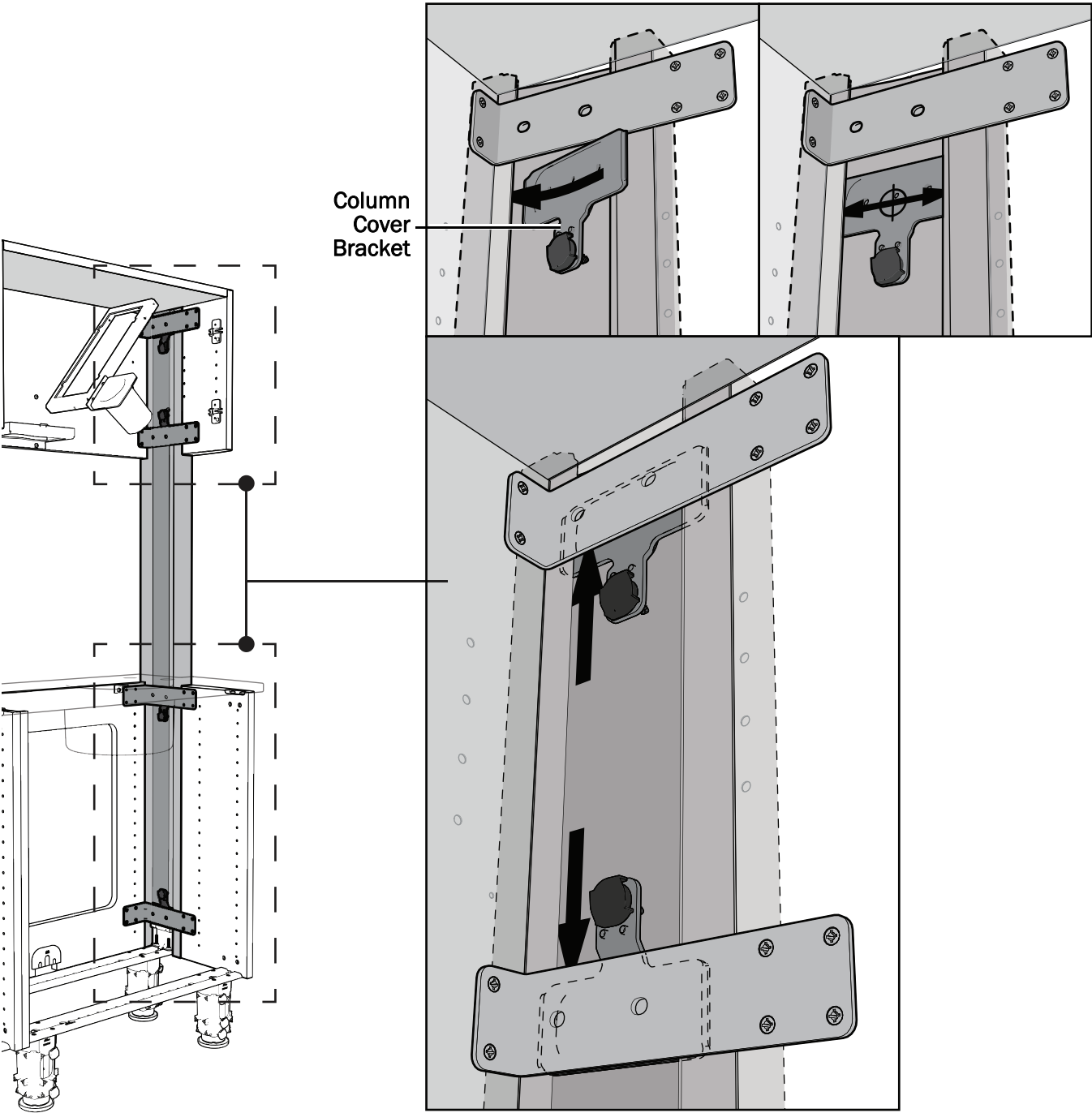
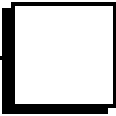
- 1** Complete the first four steps of “Install a Column Cover” on page 31.
- 2** Remove the towel dispenser.



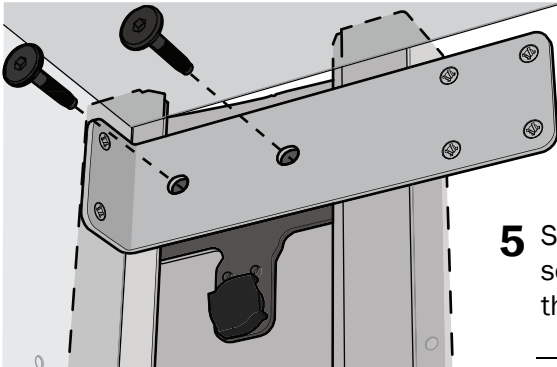
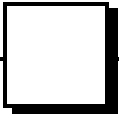
- 3** Remove the screw securing the towel dispenser bracket that is closest to column cover.



You can now rotate the bracket out of the way while completing the following steps.



**4** Insert the four column cover brackets inside the column cover (note the orientation in each section).

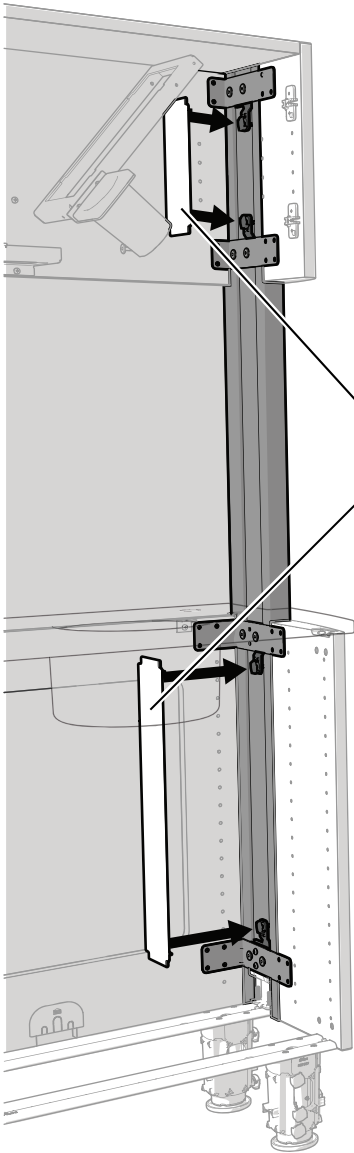


Actual Size

- 5** Starting at the top bracket, use a 5/32" hex key and two screws to secure each column cover bracket to the retaining brackets. Make sure the top of the column cover stays level with the top of the cabinet.



**TIP** You may need to press the dispenser and column cover together when tightening the screws to eliminate any gap.



- 6** Install the interior column covers. They are held by the brackets' magnets.
- 7** Reinstall the screw securing the towel dispenser bracket, then reinstall the towel dispenser.

Interior Column Covers

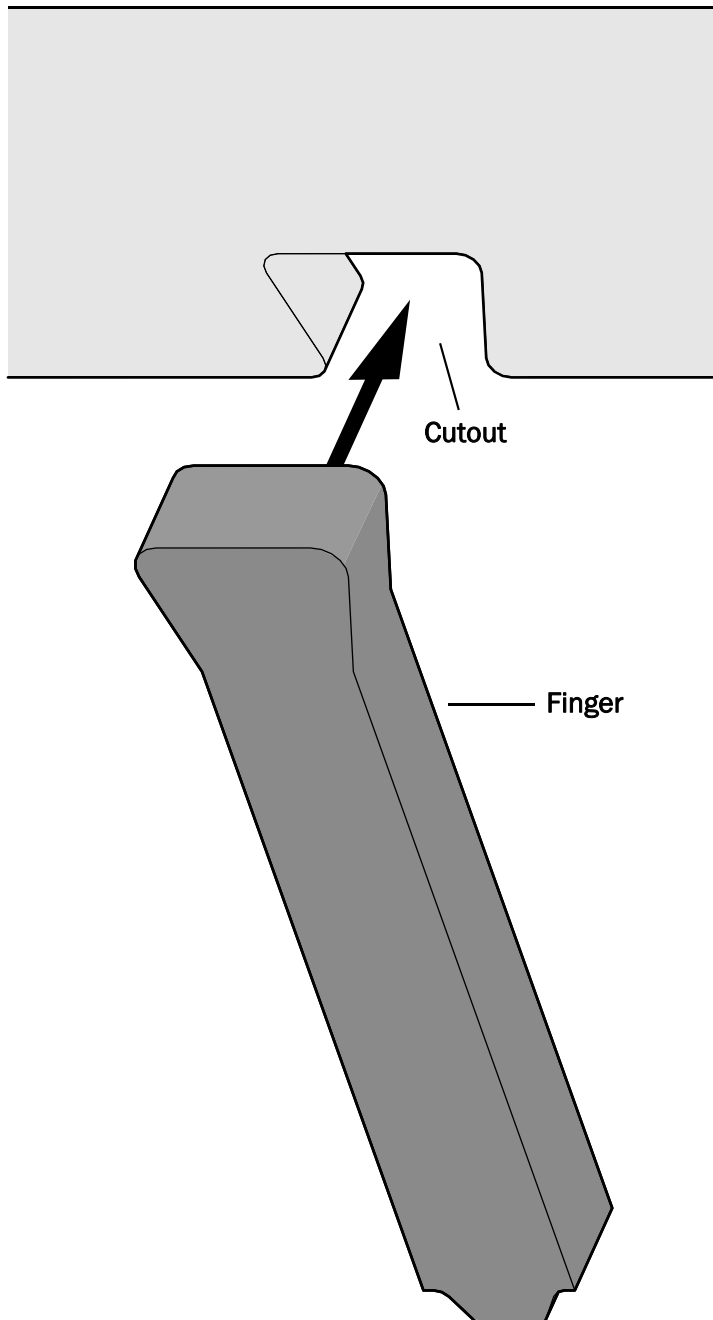
## Install the Accessories



### Install the Soap and Hand Sanitizer Dispensers

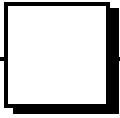
#### Prepare the Template

To protect it during shipping, the template ships with the fingers taped to the top of it. You must assemble the template before positioning it for the dispensers.

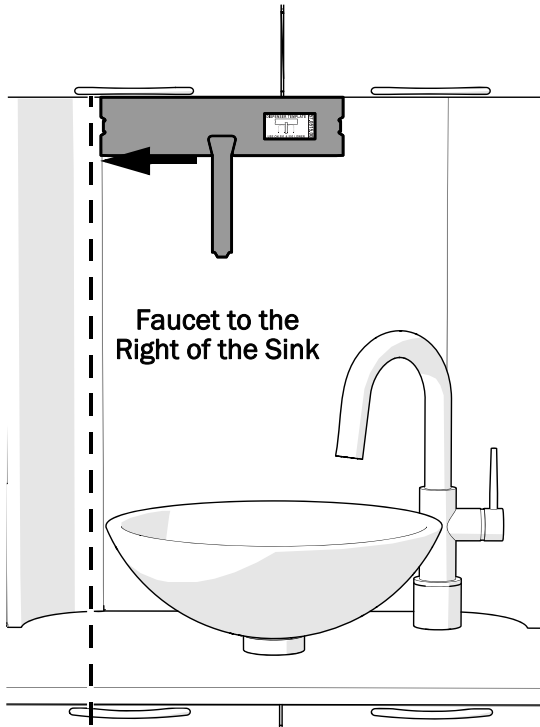


- 1** Carefully remove the tape securing the fingers to the template; then remove the fingers.

- 2** Snap the fingers into the cutouts at the bottom of the template.

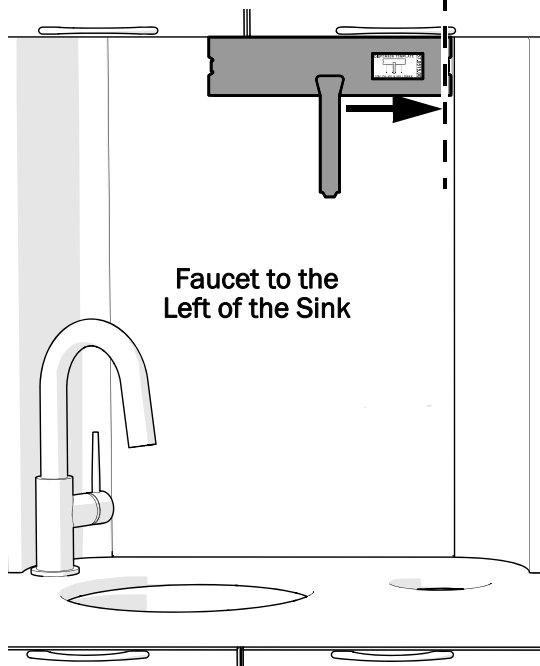


## Secure the Template to the Alcove



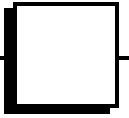
Faucet to the  
Right of the Sink

Align with the Edge of the Curved  
Back Opposite of the Faucet

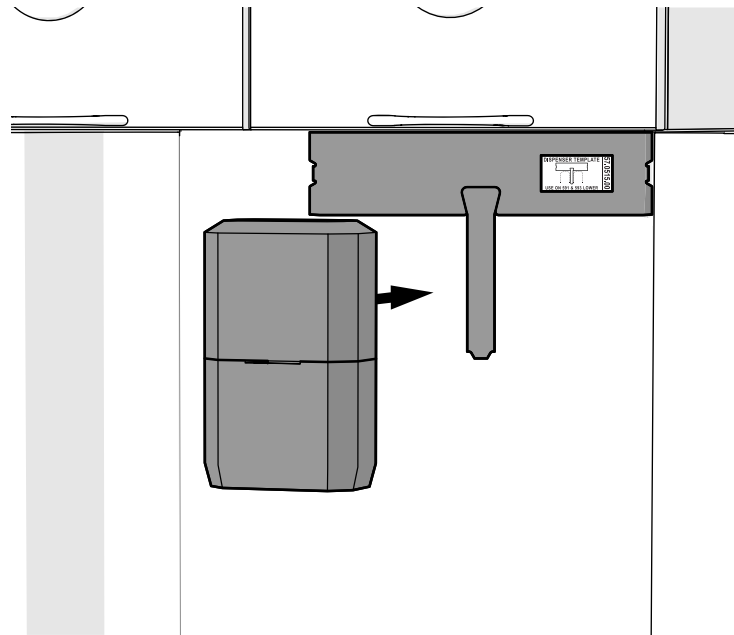


Faucet to the  
Left of the Sink

- 1** Remove the protective layer from the back of the template to expose the adhesive.
- 2** Position the template as follows and press to secure it to the back of the alcove.
  - **Side** - Align the side of the template with the side of the back, opposite from the faucet, where the back begins to curve.
  - **Top** - Align the top of the template with the bottom of the upper.

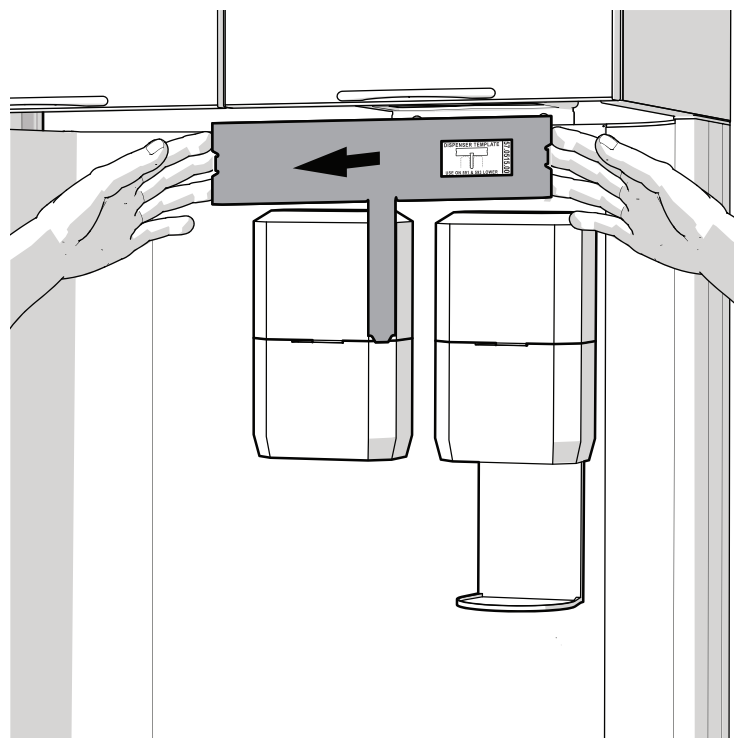


## Install the Dispensers



**CAUTION** Do not allow the dispenser to touch the alcove until it is in position. The adhesive is very strong and the dispenser is not easily removed once it is attached.

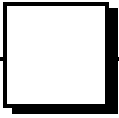
- 1** Remove the protective layer from the back of the soap dispenser.
- 2** Position the soap dispenser with its top and right sides flush against the left side of the template, then secure it to the alcove. Anchor the dispenser using the screws that shipped inside it.
- 3** Remove the protective layer from the back of the hand sanitizer dispenser.
- 4** Position the hand sanitizer dispenser with its top and left sides flush against the right side of the template, then secure it to the alcove. Anchor the dispenser using the screws that shipped inside it.
- 5** To attach the drip tray, push it into the bottom of the hand sanitizer dispenser.



- 6** To remove the template, grasp it from its sides at the top and pull straight out.



**TIP** Pull with more pressure on one side of the template to make it easier to remove it.



## Access the Power Panel to Install an Ancillary Device (optional)

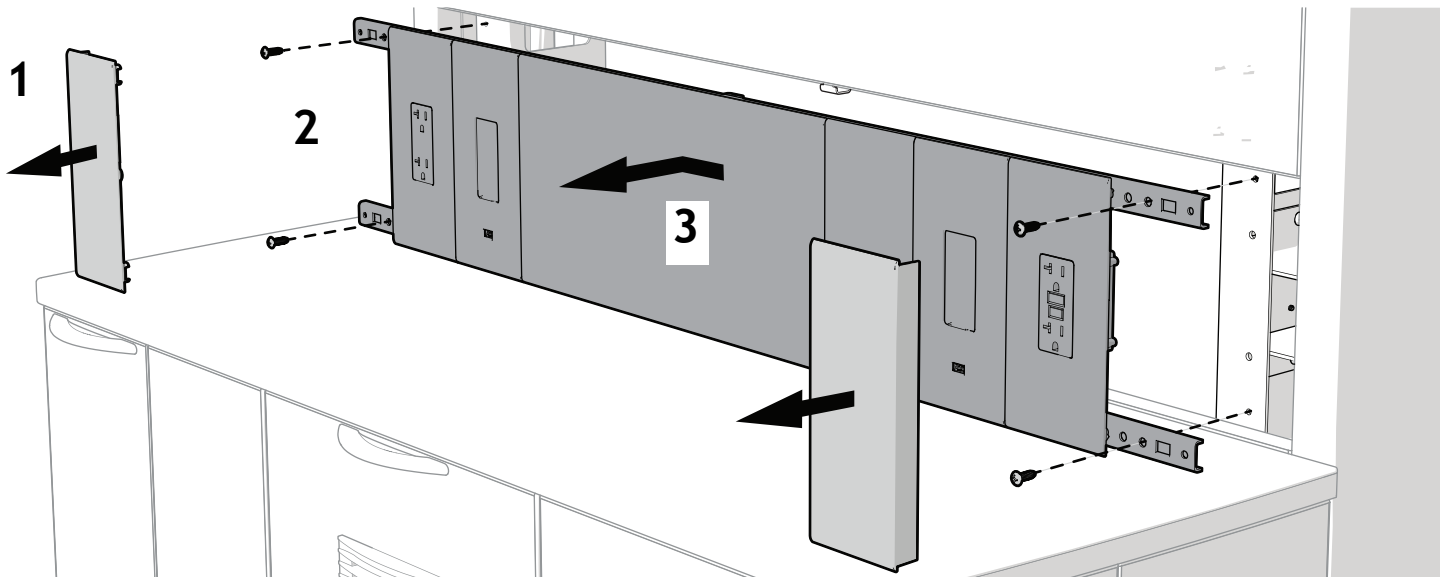
If the system includes an ancillary device, it installs in the power panel. Complete the following procedure to access the power panel according to where the cabinet is located.

### Free-Standing Cabinets

With the back panel removed, access the power panel directly from the back.

### Against a Wall

If the cabinet is against a wall, separate the power panel from the support column to access the panel's back.



- 1** Pry off the access panels.
- 2** Remove four screws (two on each end) securing the panel to the support column.
- 3** Slide the power panel to the left to disengage the brackets on the panel from the brackets on the support column, and then pull the power panel out to remove it.

## Install the ICV (optional)

If the system includes an ICV, see the installation guide that ships with the product.

## Install Faucets and Vessel Sinks

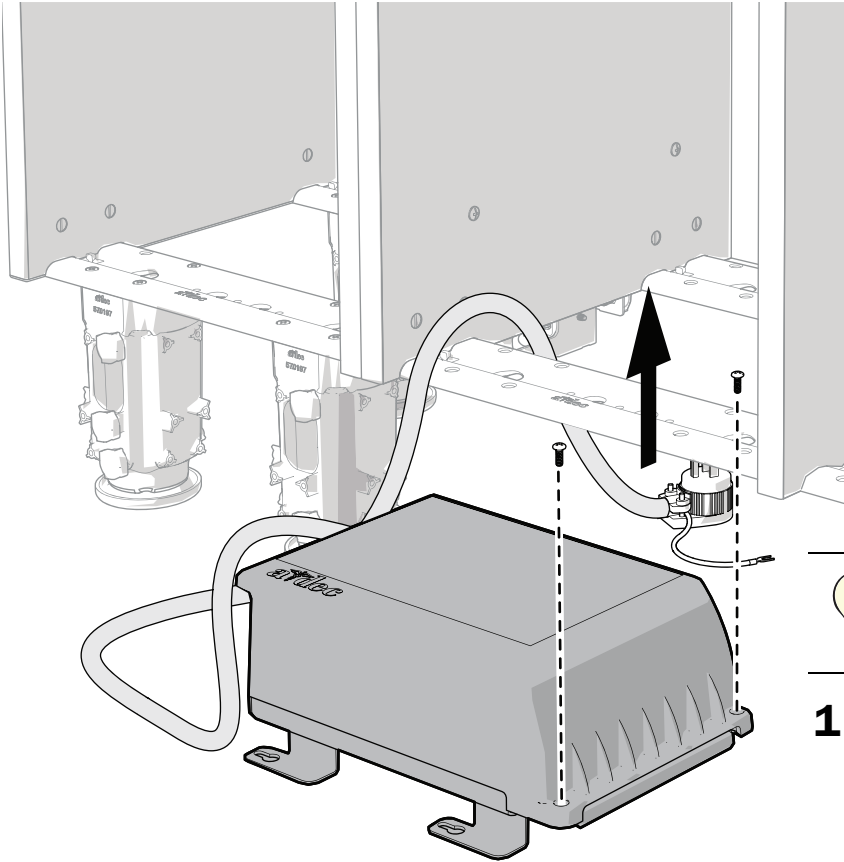
To install the faucets and vessel sinks, see the manufacturer's instructions that ship with the product.



# Connect the Wires and Data Lines

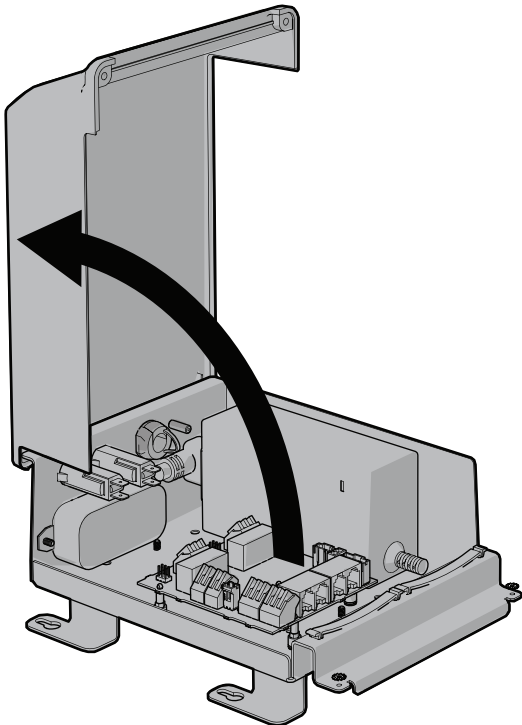


## Access the Connections



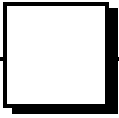
**TIP** To provide easier access for making connections, position the distribution box outside of the cabinet

**1** Loosen the two screws securing the lid.

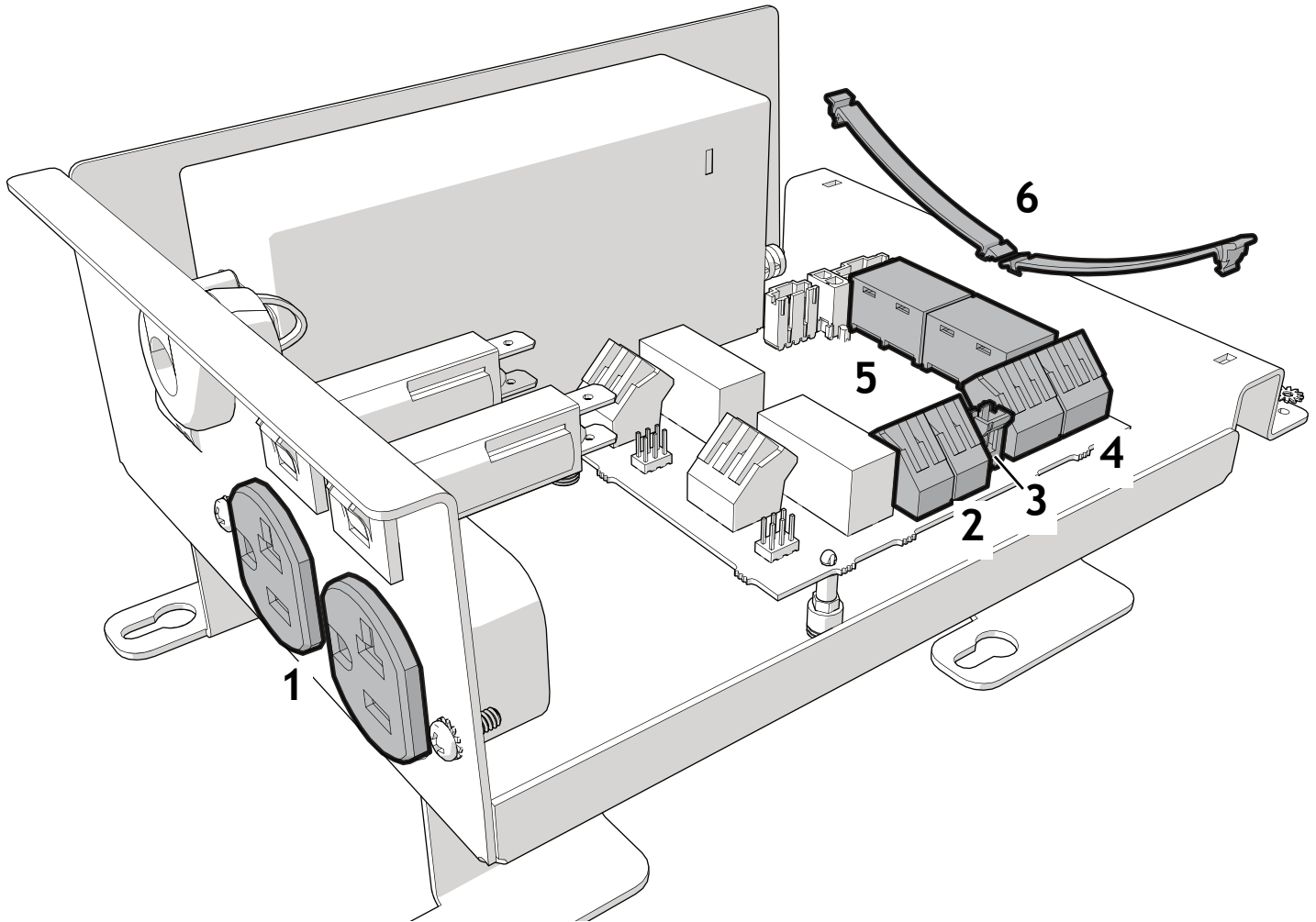


**ATTENTION** Circuit boards are sensitive to static electricity. Electrostatic Discharge (ESD) precautions are required when touching a circuit board or making connections to or from the circuit board. Circuit boards should be installed only by an electrician or qualified service person.

**2** Remove the cover.



## Connect the Wires and Data Lines

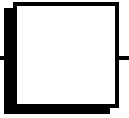


- 1 Plug in the auxiliary devices (optional).

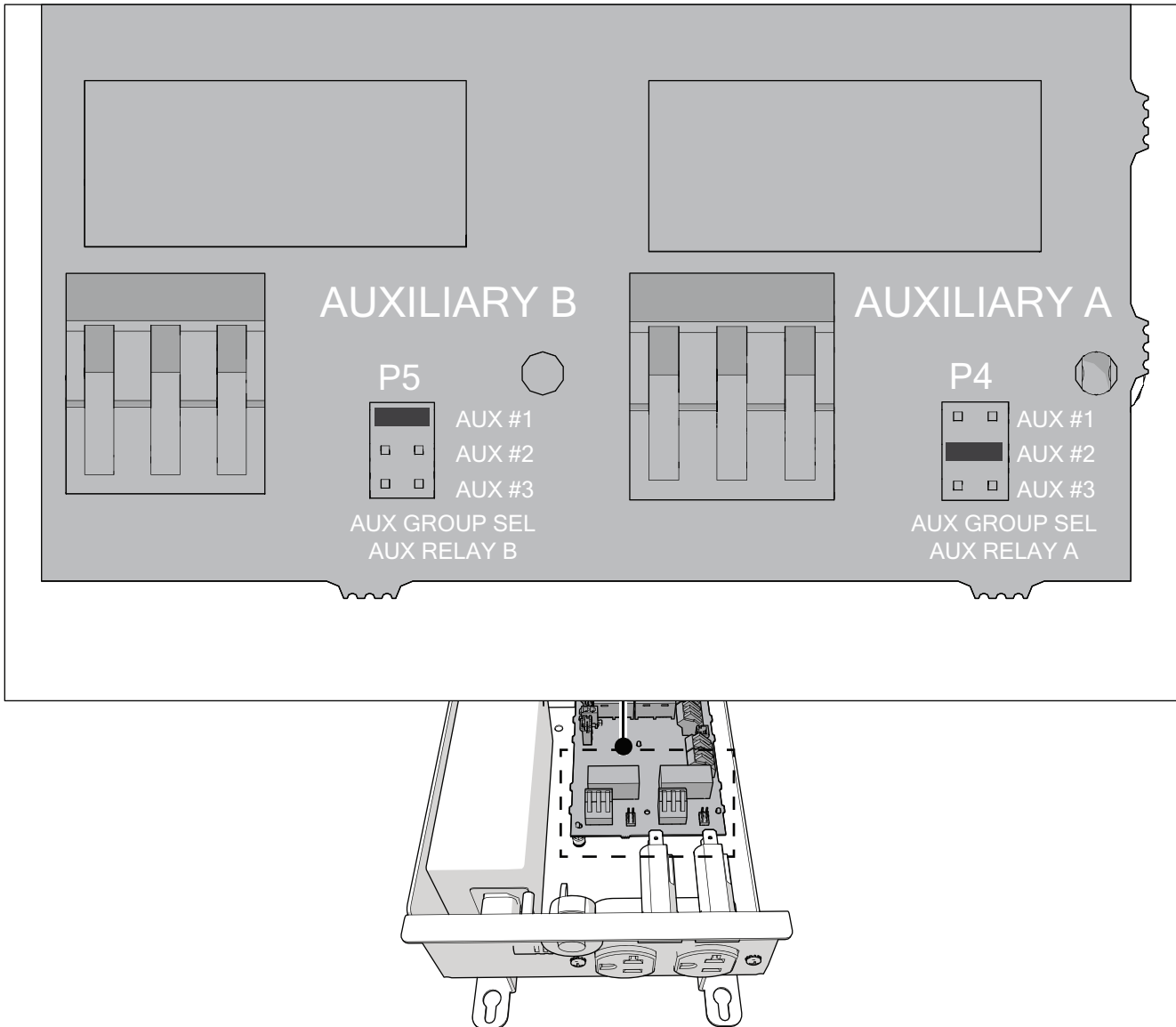


**TIP** The receptacles include a tamper-proof shutter to prevent unwanted articles from entering the receptacle. Apply equal pressure on each tine to slide open the shutter when inserting the plug. If you experience resistance entering the receptacle, gently rock the plug back and forth to open the shutter.

- 2 Connect the task light power, black to black, red to red.
- 3 If the system does not include a control center, connect the task light switch.
- 4 Connect the control center power, black to 0 VDC, white to 24 VDC (optional).
- 5 Plug in the data lines. It does not matter which data port the lines plug into.
- 6 Secure the wiring under the strain relief.



## Set Up the Auxiliary Relays (optional)



Auxiliary relays are used to turn on/off devices plugged into the distribution box. They are operated from the control center and touchpads.

Jumpers specify which button on the control center and touchpad operates the power for that relay.

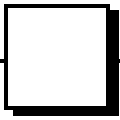
For each relay, position the jumper in one of the three numbered **Aux** positions.

If more than one relay in the same system is set to the same numbered **Aux** position, then they all turn on and off at the same time from the control center or touchpad.

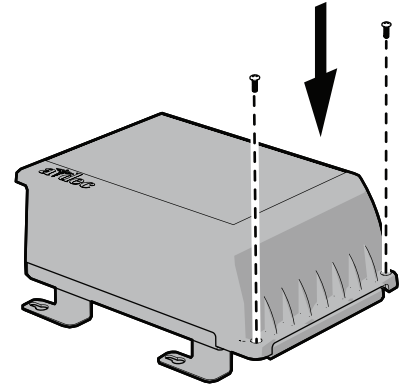
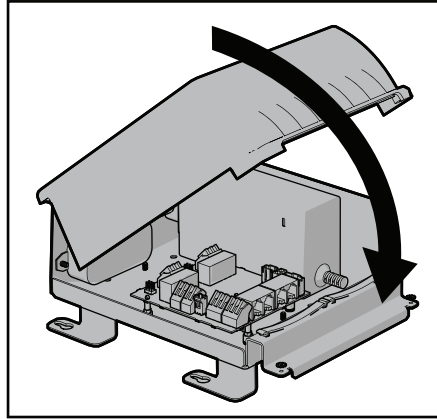
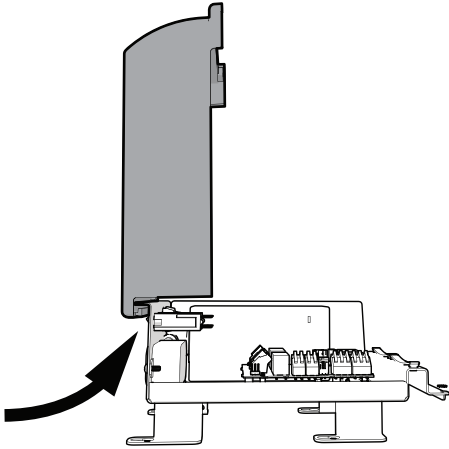


**NOTE** If the system does not include a control center, do not set the jumper to Aux #3. It cannot be activated without a control center.

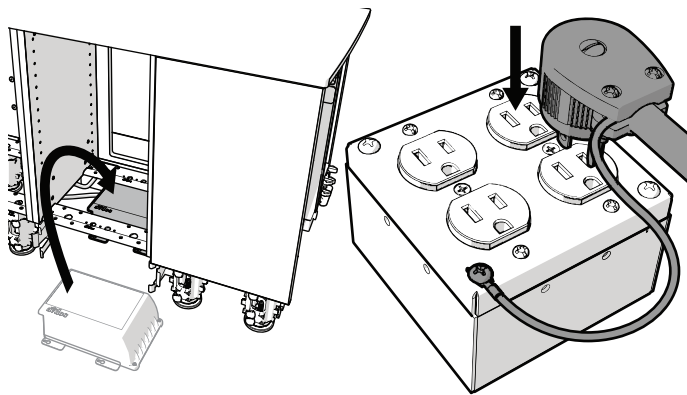
If a system without a cuspidor includes an A-dec 300 Deluxe touchpad or an A-dec 300/500 Standard touchpad, the bowl rinse button controls Aux # 1 and the cupfill button controls Aux #2.



## Connect and Secure the Distribution Box

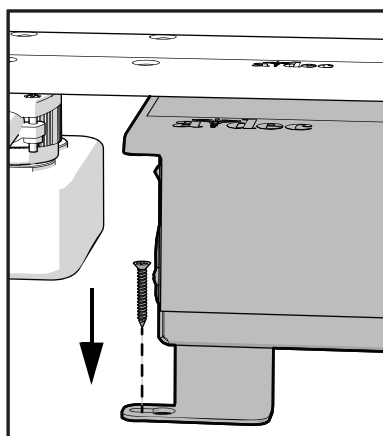


- 1 Position the cover at 90° to the distribution box and hook its end on the distribution box frame.
- 2 Rotate the cover down and use a Phillips head screwdriver to secure it to the distribution box.



**CAUTION** The distribution box plugs into the quad box. A licensed electrician or other qualified personnel is required to connect the quad box per local codes and regulations.

- 3 Place the distribution box inside the cabinet.
- 4 Use a Phillips head screwdriver to secure the green ground wire to the cover of the quad box.
- 5 Plug the distribution box into the quad box.



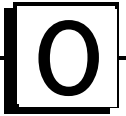
- 6 Under the cabinet, use one fastener to anchor the distribution box to the floor (the fastener is not included in the kit).

It does not matter which foot you choose to secure.



**NOTE** The distribution box can also be anchored inside the cabinet on the support column.

# Adjust the Drawer Faces and Doors

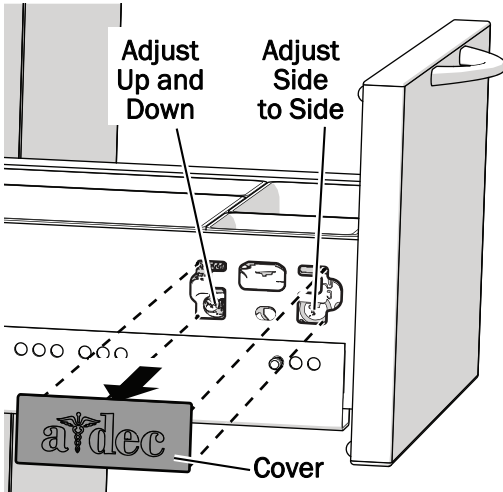


## Adjust the Drawer Faces

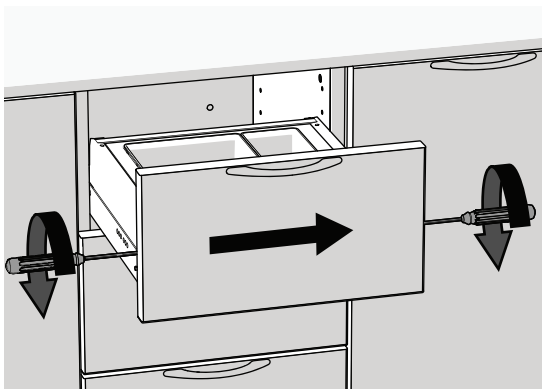
Adjust the face of the drawers to align them properly.



**CAUTION** To avoid damaging the screws, use a #2 Pozidriv screwdriver to adjust the screws that move the drawer faces.



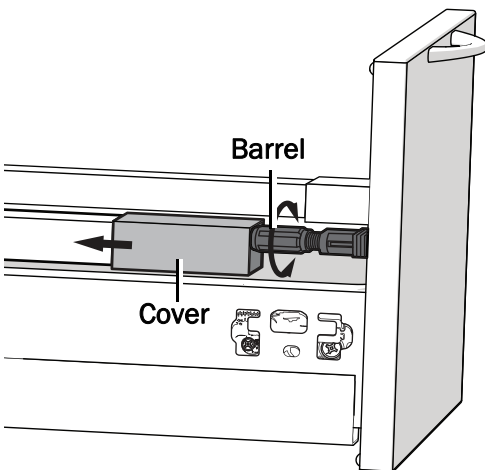
- 1** Remove the covers on both sides of the drawer.
- 2** **Up and Down:** On both sides, adjust the screws closest to the back of the drawer.



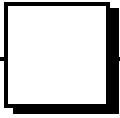
- 3** **Side to Side:** On both sides, adjust the screws closest to the face of the drawer. Make sure to move both screws in equal increments. The direction shown moves the drawer face to the right.



**TIP** Use two screwdrivers at the same time to move the face more easily.



- 4** **Front to Back Tilt (Gallery Rails only)** - Slide the covers and rotate the barrels.



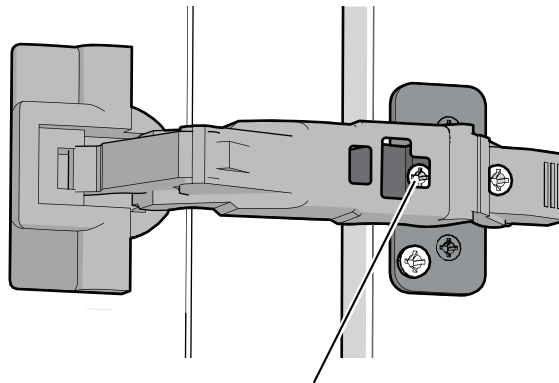
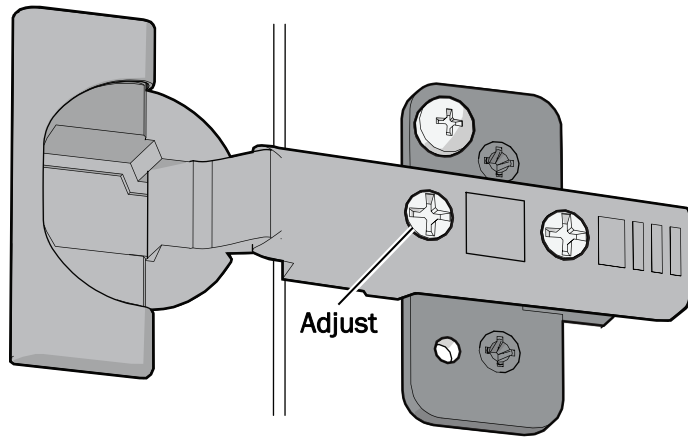
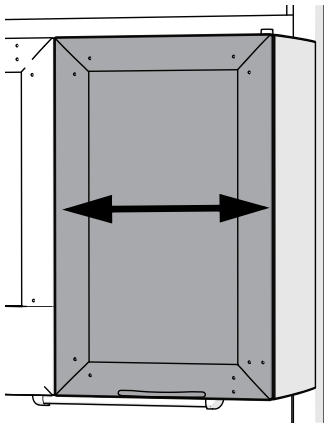
## Adjust the Doors

Adjust the door hinges to align the doors properly.

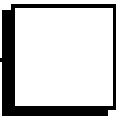


**CAUTION** To avoid damaging the screws, use a #2 Pozidriv screwdriver to adjust the door hinge screws.

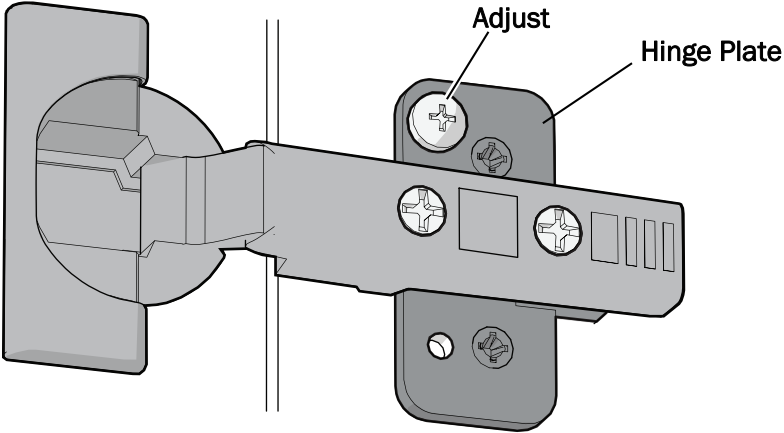
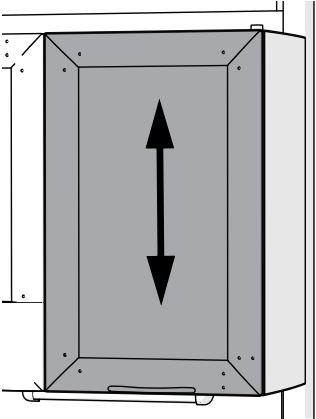
### Side to Side



For 155° hinges, close the door slightly for better access to the screw.

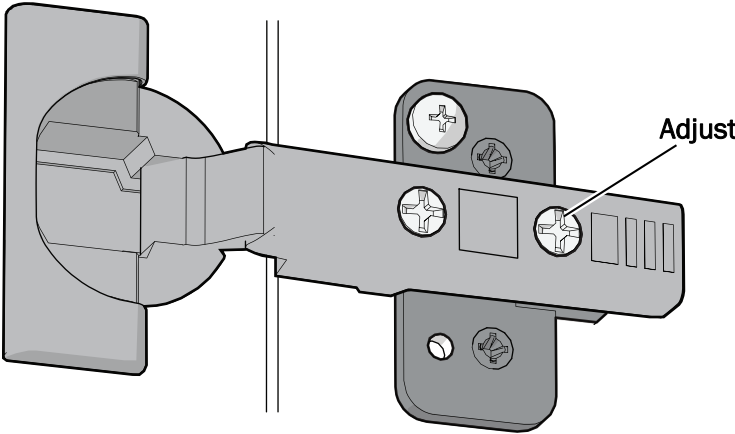
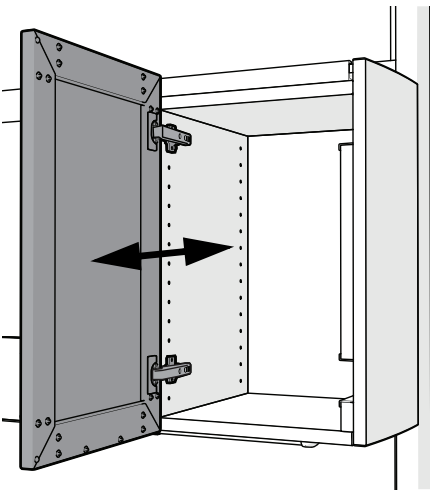


Up and Down



**NOTE** The screw on the hinge plate may be at the top or bottom, depending on the door configuration.

Back to Front





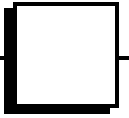
## Install the Faucet Foot Pedal and Base Covers

---

### **Install the Foot Pedal (optional)**

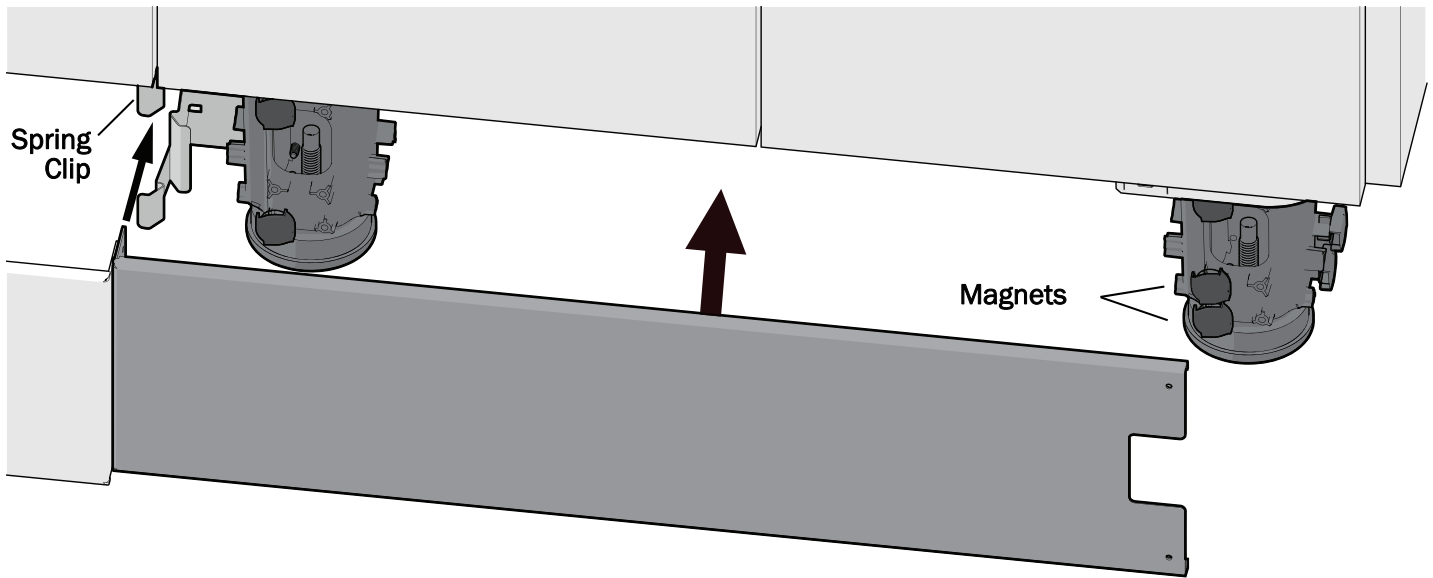
If your system includes a faucet foot pedal, see the *Faucet Foot Pedal on A-dec Inspire Dental Furniture Installation Guide* (86.0936.00) that shipped in the kit.



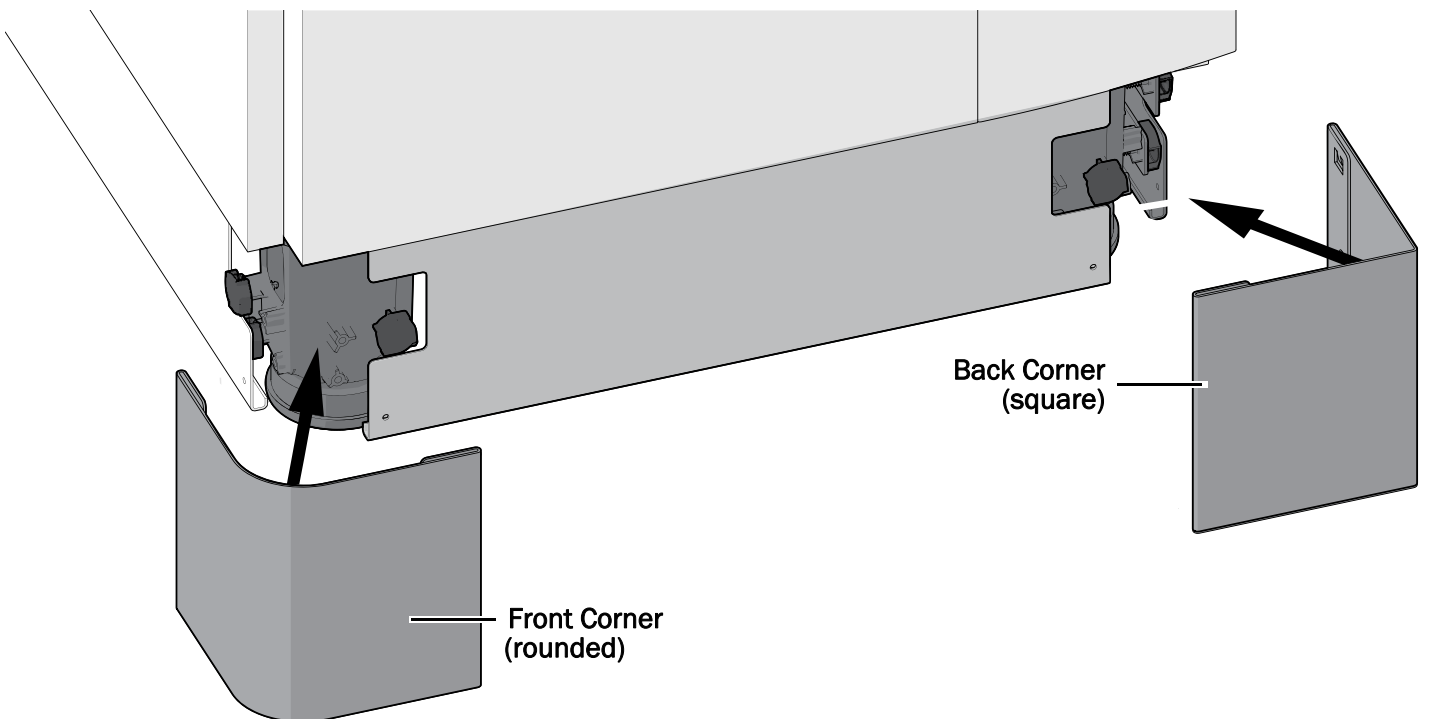


## Install the Base Covers

Complete the following instructions for the base covers



- 1 Place the base covers into position. Depending on their location, they attach onto magnets or are inserted into spring clips.



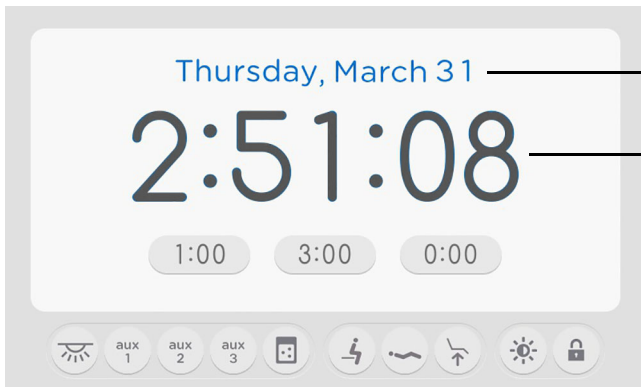
- 2 Place the rounded corner base covers on the front corners of the cabinet and the square covers on the back corners.

# Q Complete the Installation

## Finish the Installation

To complete the installation:

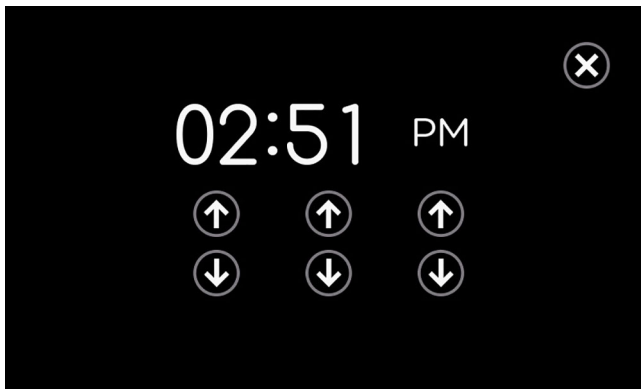
- Completely remove the protective film from the column covers.
- Install the hinge covers.
- Reinstall the false bottoms.
- If the cabinet is not against a wall, reinstall the back panel.
- Program the time, date, and language on the control center.



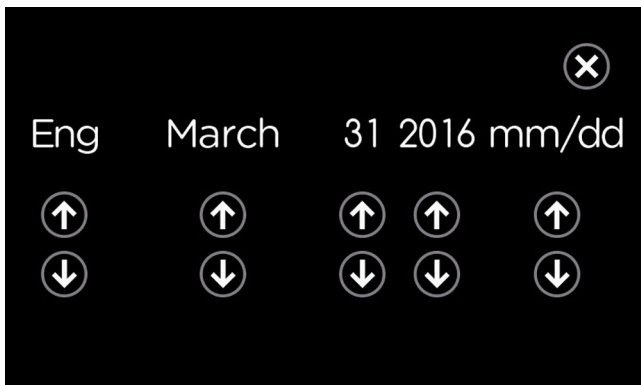
Press to Set the Language and Date

Press to Set the Time

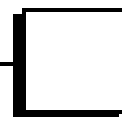
- 1** Firmly press and hold the item on the touchscreen to be programmed until you see the Setting menu.
- 2** Press the arrows to change the setting.
- 3** Press the X to save your settings and exit the menu.



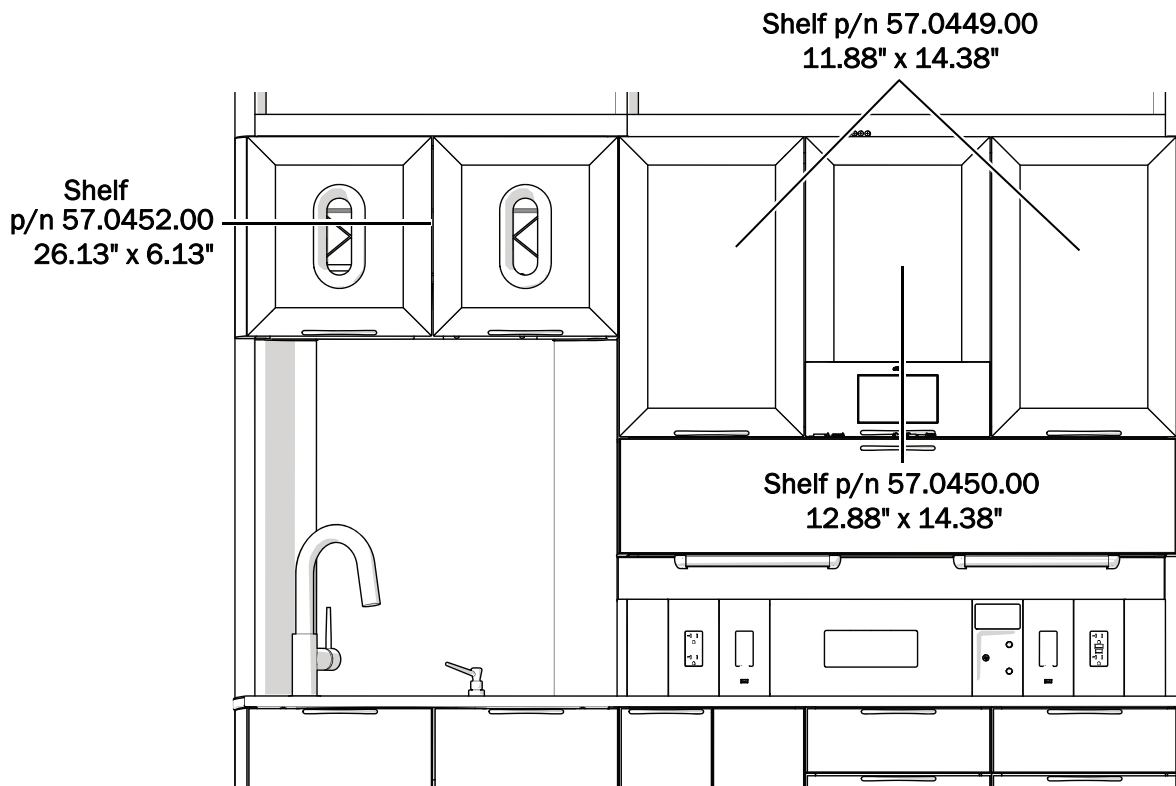
Time Settings



Language and Date Settings

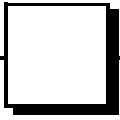


- Install glass shelves in the locations indicated in the illustration.



## Test the System

After you have completed the installation of the A-dec Inspire 591 Treatment Console, use the *A-dec Dental Furniture Installation Checklist* (p/n 86.0624.00) to test the system. The checklist ships with the product.



## Regulatory Information and Warranty

For required regulatory information and the A-dec warranty, see the *Regulatory Information, Specifications, and Warranty* document (p/n 86.0221.00) available in the Resource Center at [www.a-dec.com](http://www.a-dec.com).



### A-dec Headquarters

2601 Crestview Drive  
Newberg, OR 97132 USA  
Tel: 1.800.547.1883 Within USA/CAN  
Tel: +1.503.538.7478 Outside USA/CAN  
[www.a-dec.com](http://www.a-dec.com)

*A-dec, Inc. makes no warranty of any kind with regard to the content in this document including, but not limited to, the implied warranties of merchantability and fitness for a particular purpose.*



86.0522.00 Rev J  
Date of Issue 2022-04-21  
Copyright 2022 A-dec, Inc.  
All rights reserved.  
IG\_idf7