



A-dec Inspire® 592 Central Console

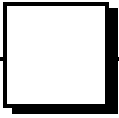
INSTALLATION GUIDE



A-dec Inspire 592 114" Full Central Console

Product Models and Versions Covered in This Document

Models	Versions	Description
592	A	Dental Furniture



- Clear the room of all debris and thoroughly clean the floors.
- Verify that manual air and water shut-offs are installed.
- Purge any debris from air and water lines.
- Check with local building and code authorities about installation requirements specific to your location.

Recommended Tools

- Phillips head screwdriver
- Hex key set
- #2 Pozidriv® screwdriver
- Dollies (at least 2 per cabinet)
- Step ladders
- 3/8" combination wrench
- Standard screwdriver
- Stubby Standard screwdriver
- Power screwdriver
- Four-foot level
- Torpedo level
- Awl
- Drill and a 10" long 3/8" bit
- Rubber mallet
- 1/2" (12.7 mm) dowel
- 5/16", 7/16", 9/16", and 3/4" 6-point sockets and ratchet, with 6" locking extension

Important Information



NOTE Information that is critical to a successful installation is shaded like this note throughout the guide.



ATTENTION Circuit boards are sensitive to static electricity. Electrostatic Discharge (ESD) precautions are required when touching a circuit board or making connections to or from the circuit board. Circuit boards should be installed only by an electrician or qualified service person.



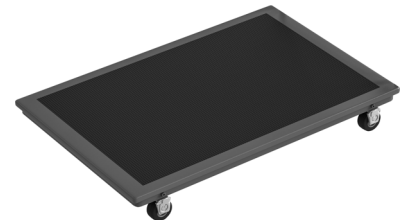
WARNING Failure to install the A-dec 592 as described in this installation guide may cause the unit to collapse, resulting in serious injury to personnel.



WARNING Two people should install this cabinet to avoid personal injury.



NOTE A-dec recommends using only solid-top dollies when moving A-dec Inspire cabinets.



Before You Begin

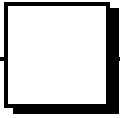


The A-dec Inspire 592 Central Console is available in multiple configurations (see the map on page 4).

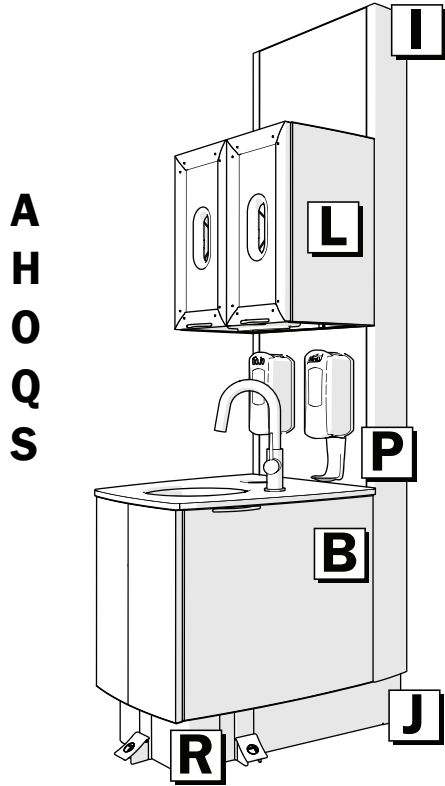
Perform the installation tasks in the order shown below. If a section does not apply to a specific configuration, that information is noted at the beginning of the section.

Installation Sequence

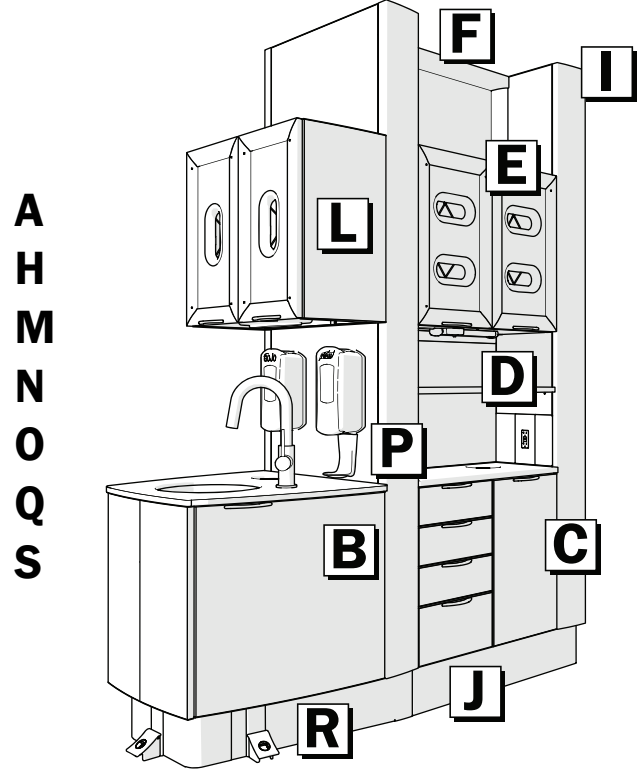
- A** **Unpack the Cabinet** 5
- B** **Install the Sink and Sink Support Column** 7
- C** **Install the Mid Lower and X-ray Support Column** 9
- D** **Install the Privacy Panel** 13
- E** **Install the Mid Upper** 14
- F** **Install the Clerestory (optional)** 17
- G** **Install the Equipment Lower and End Support Panel** 18
- H** **Level the Cabinet** 21
- I** **Anchor the Cabinet to a Structural Wall** 24
- J** **Anchor the Cabinet to the Floor** 25
- K** **Install the X-Ray/Storage Upper** 29
- L** **Install the Dispenser** 38
- M** **Install the Light or Monitor Mount** 40
- N** **Connect the Wires and Data Lines** 41
- O** **Install the Accessories** 45
- P** **Install the Column Covers** 49
- Q** **Adjust the Drawer Faces and Doors** 51
- R** **Install the Faucet Foot Pedals and Base Covers** 54
- S** **Complete the Installation** 56



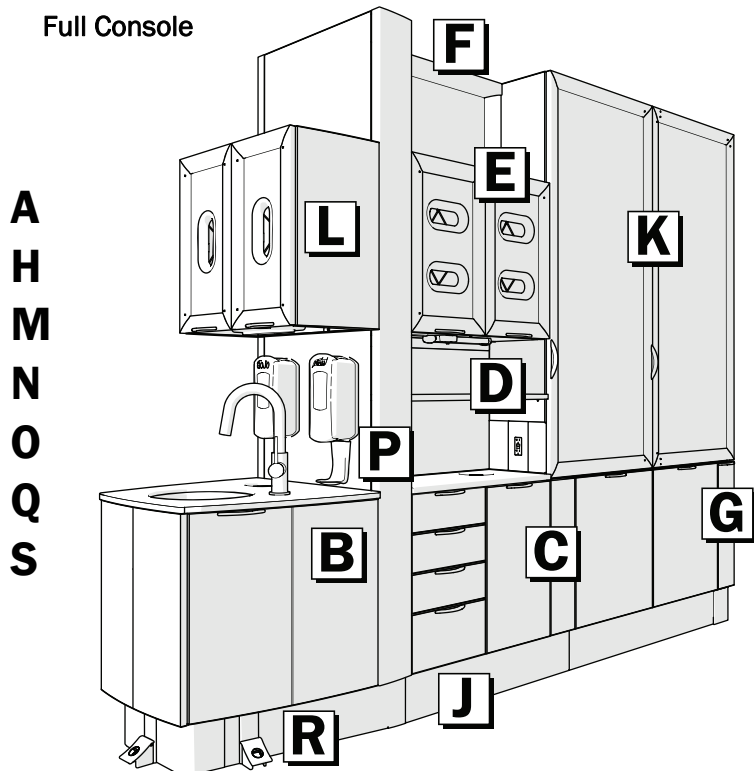
T-Wall Console



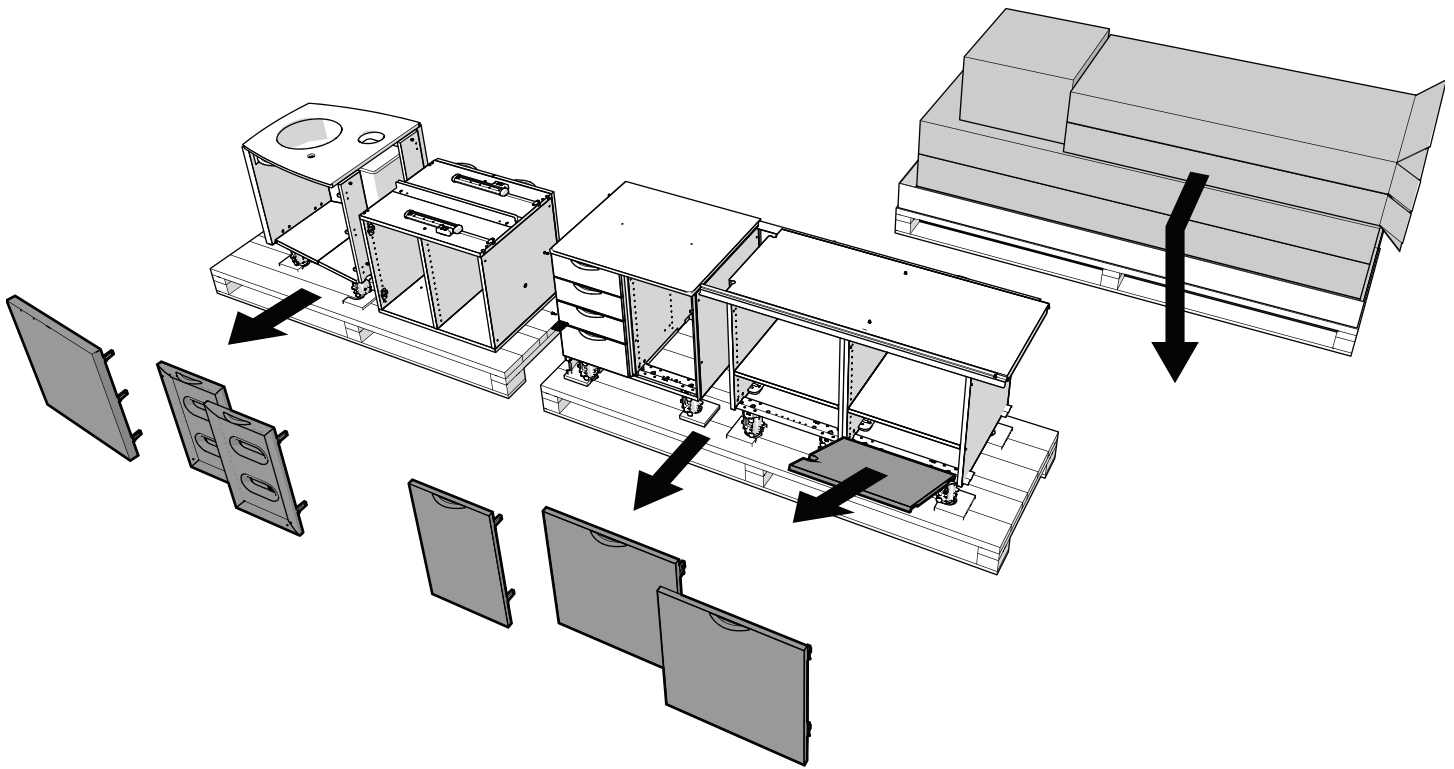
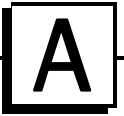
Mid Console



Full Console



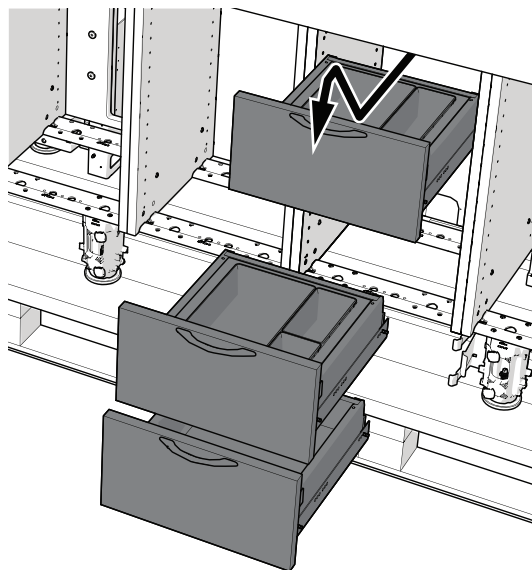
Unpack the Cabinet



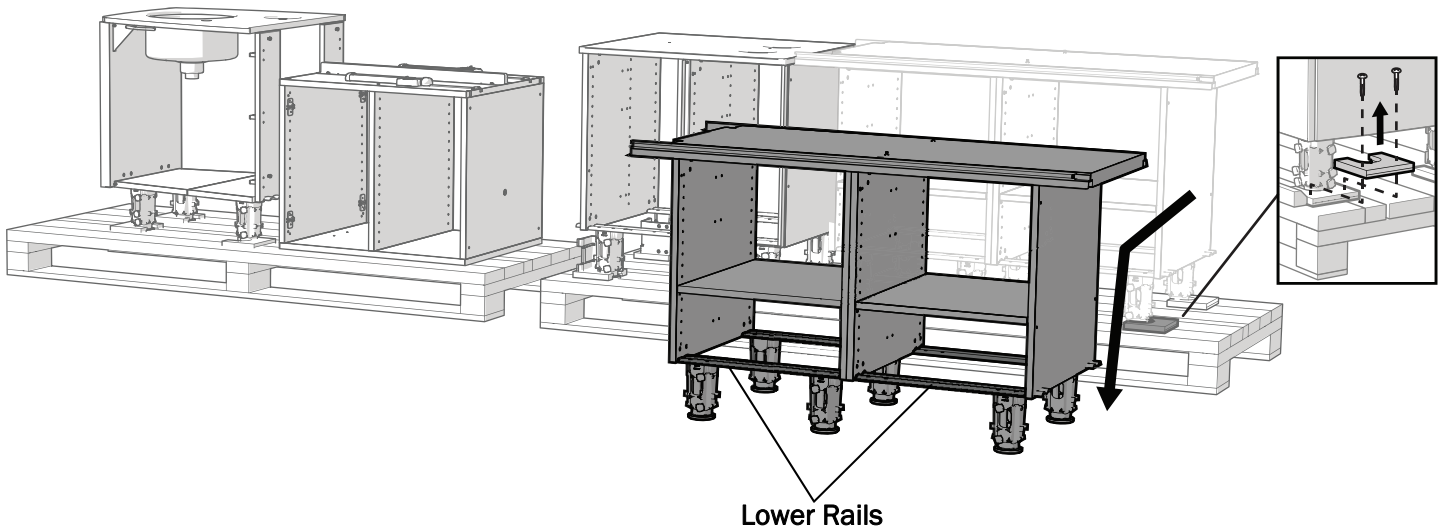
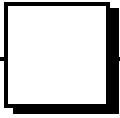
- 1** Remove the items from the pallets and top of the cabinet.
- 2** Remove the doors and false bottoms.



TIP Make note of the installed location of each item to help with reinstallation.



- 3** Remove the storage drawers.
 - 1** Pull the drawer out to the stop.
 - 2** Lift the front of the drawer, pull out, then down.



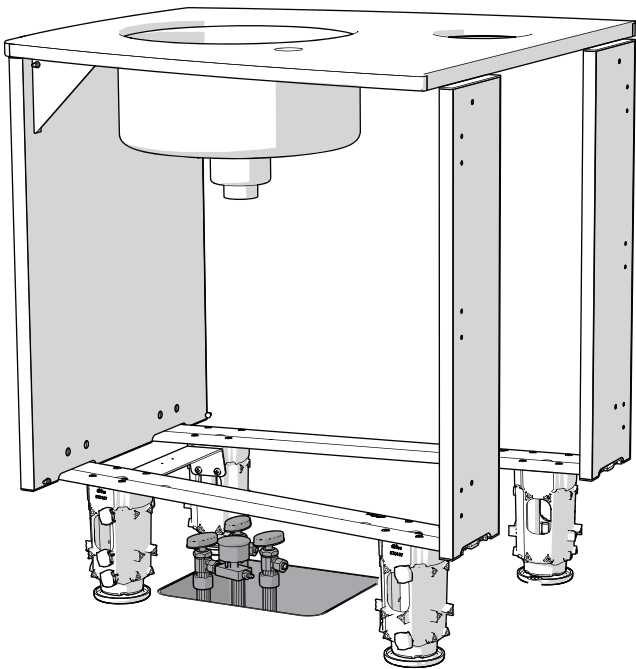
- 4 Use a 7/16" socket and ratchet to remove the anchors securing the cabinet to the pallet. Lift and pull the anchors to remove them from the feet. Discard all anchors. Do not reuse anchors to secure the cabinets to the floor.



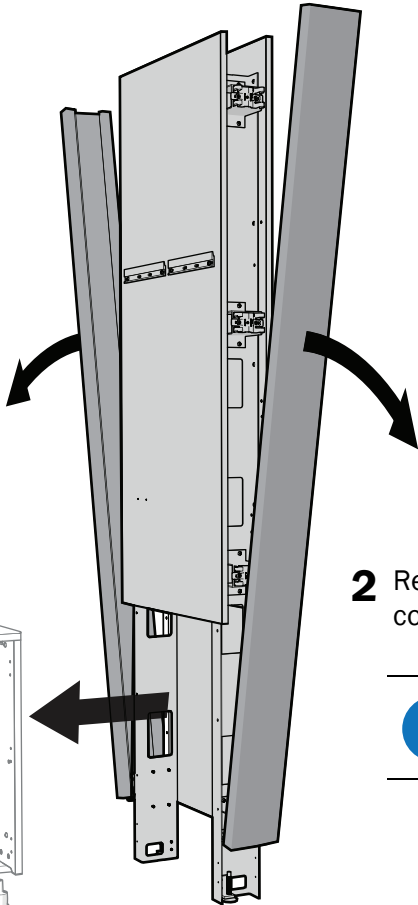
WARNING Due to the weight of larger configurations, more than two people are needed to safely move the cabinet from the pallet. Do not lift by the countertop.

- 5 Lifting by the lower rails, remove the cabinet from the pallet.

Install the Sink and Sink Support Column



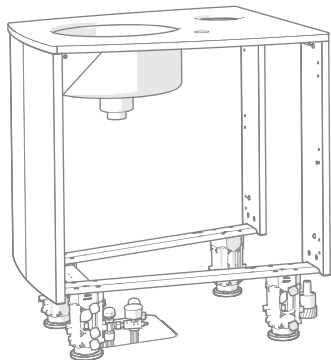
1 Place the sink into position over the utility stubs.

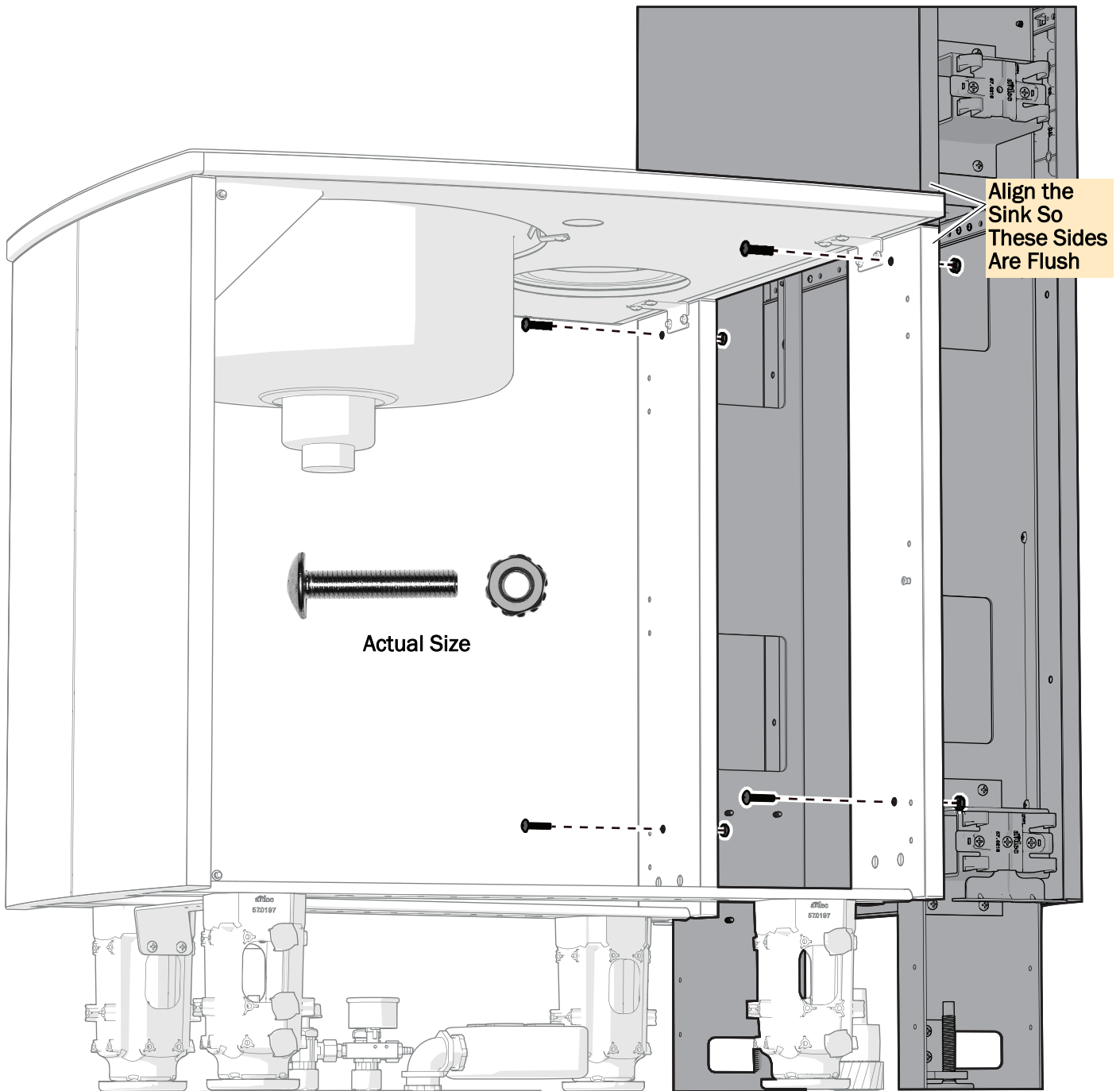
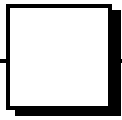


2 Remove the column covers from the sink support column and place it in position behind the sink.



NOTE The sink column has an open section at its bottom that faces the sink.





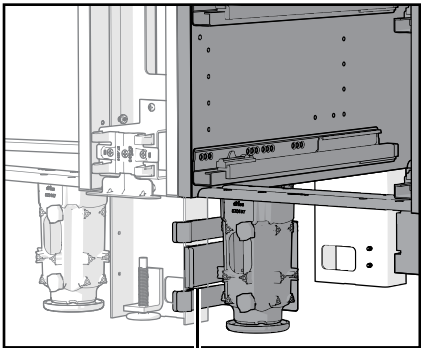
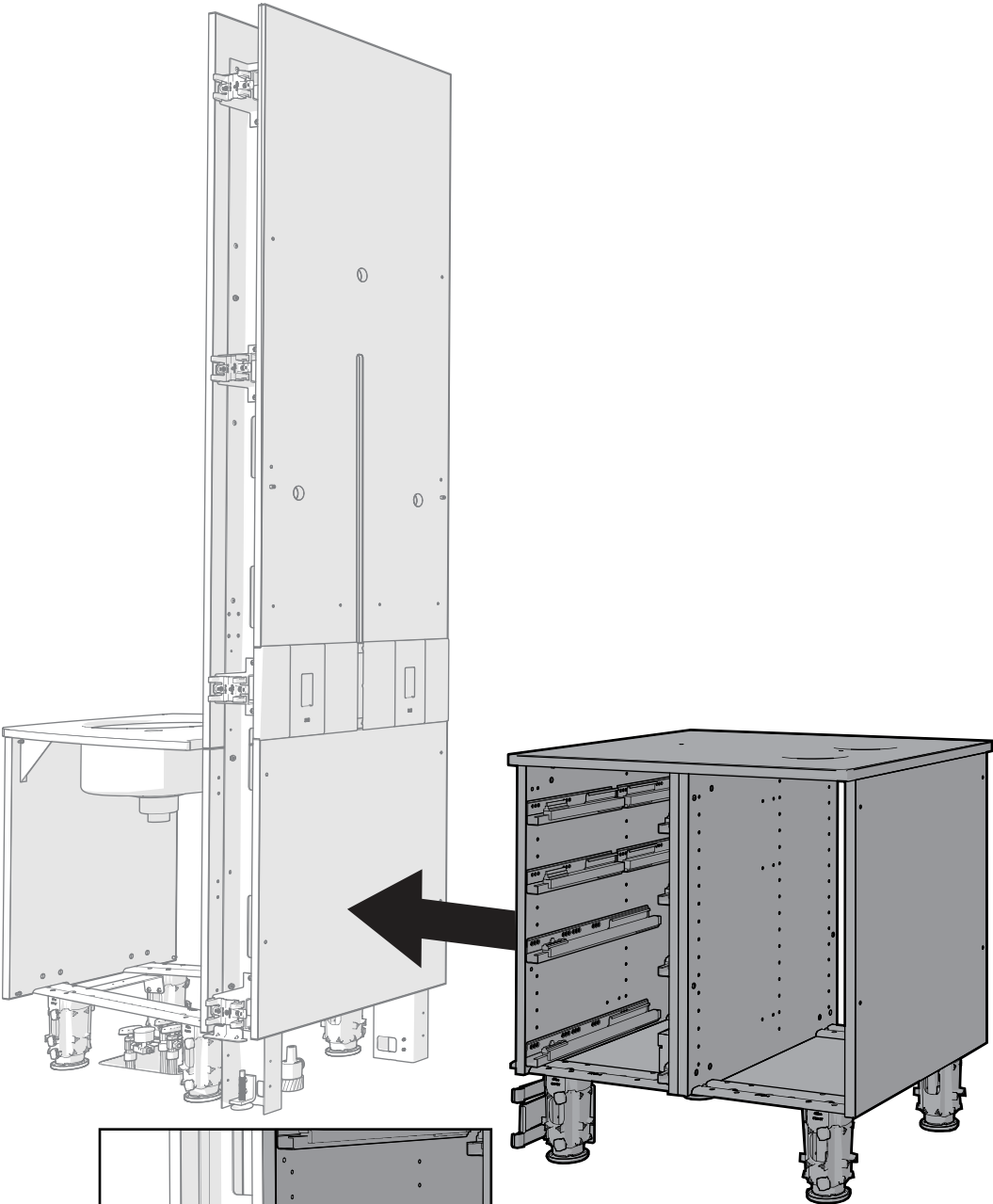
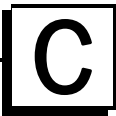
- 3 Use a Phillips head screwdriver and a 3/8" combination wrench with four bolts and nuts to secure the sink to the support column. Position the sink so that the sides of its back panels are flush with the sides of the support column.

Next Step See the section for the cabinet's configuration:

T-Wall - "Level the Cabinet" on page 21

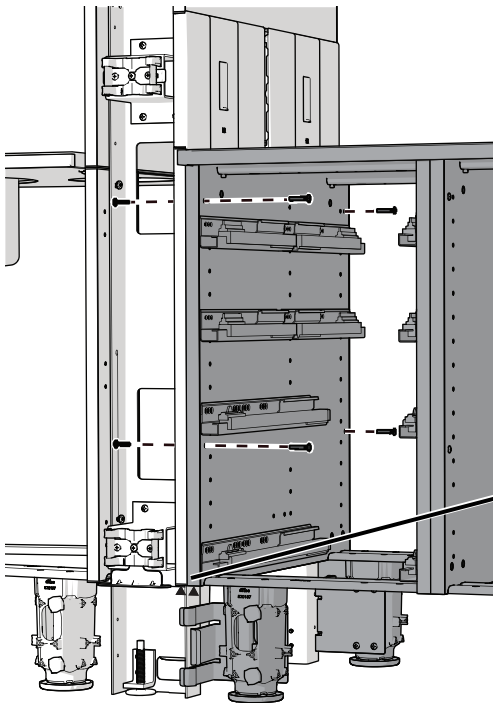
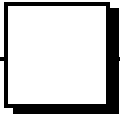
Mid and Full - "Install the Mid Lower and X-ray Support Column" on page 9

Install the Mid Lower and X-ray Support Column (Mid and Full configurations only)



Spring Clip

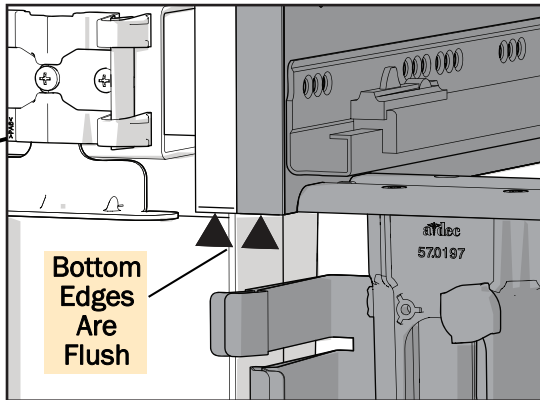
- 1** Place the mid lower into position by the sink support column so that the feet with spring clips are closest to the support column.



2 Use four barrel bolts to secure the sink support column to the mid lower.

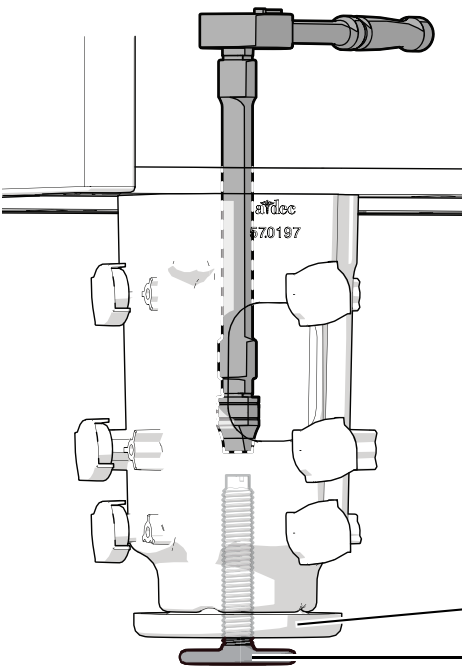


Actual Size



TIP To help align the holes for the bolts:

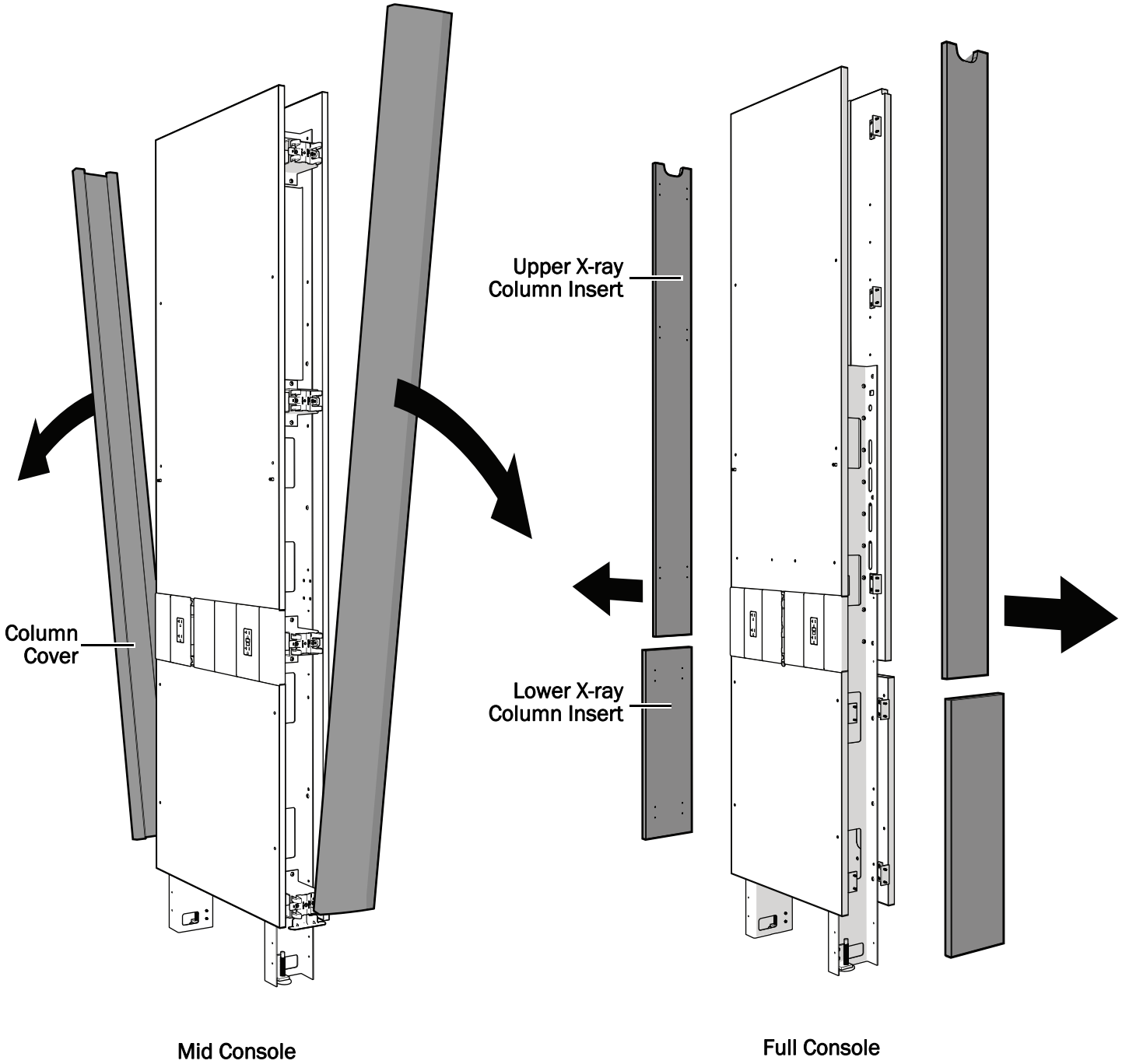
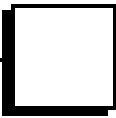
- Check that the bottoms of the adjacent side panels are flush. Use the leveling screws in the cabinet's feet to adjust the height of the panels (see below).
- Use an awl or small screwdriver to align the holes and start the barrel bolts.



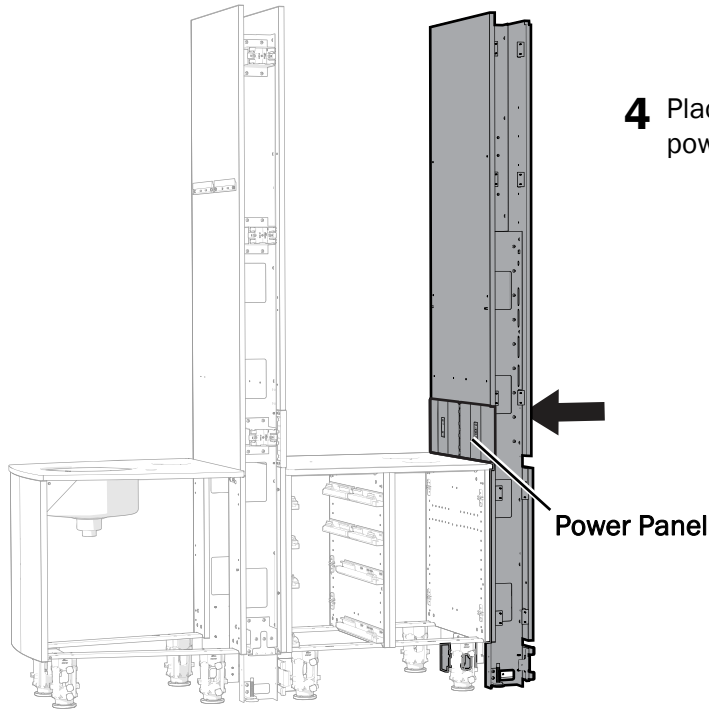
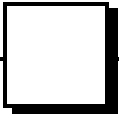
CAUTION When adjusting the leveling screw, be sure to use a 6 point socket. 12 point sockets can damage the screws.



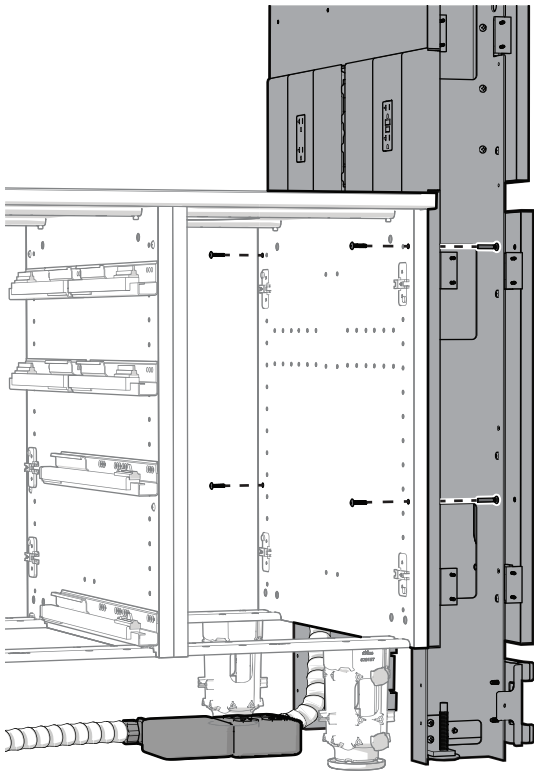
NOTE Use a 5/16" socket and ratchet with an extension to adjust the leveling screw. Extend the leveling screw (turn it clockwise) to raise the cabinet. Retract the screw to lower the cabinet.



- 3** Remove the column covers or inserts from the x-ray support column.
Mid consoles have column covers. Full consoles have upper and a lower column inserts.

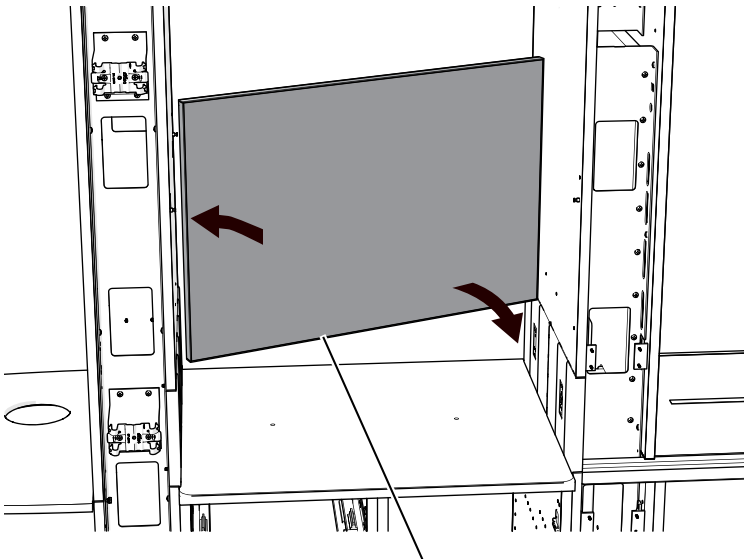


- 4** Place the x-ray support column in position with the power panel toward the mid lower.



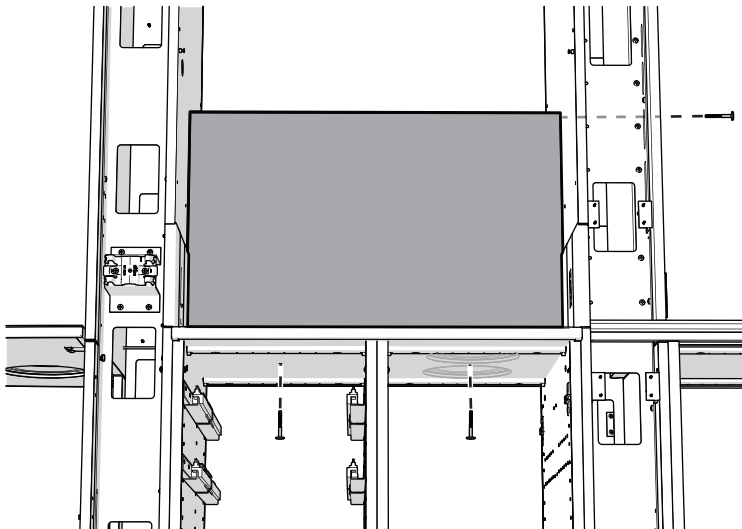
- 5** Use four barrel bolts to secure the mid lower to the x-ray support column.
- 6** Route the quad box and the electrical conduit down the support column to the mid lower.

Install the Privacy Panel (Mid and Full configurations only)



- 1** With the holes in the privacy panel facing the lower and the two support columns, toe the privacy panel into the grooves in the support columns. Make sure the panel is against the x-ray support column so there is no gap.

Position the panel so the threaded inserts face the countertop, sink column, and x-ray column.



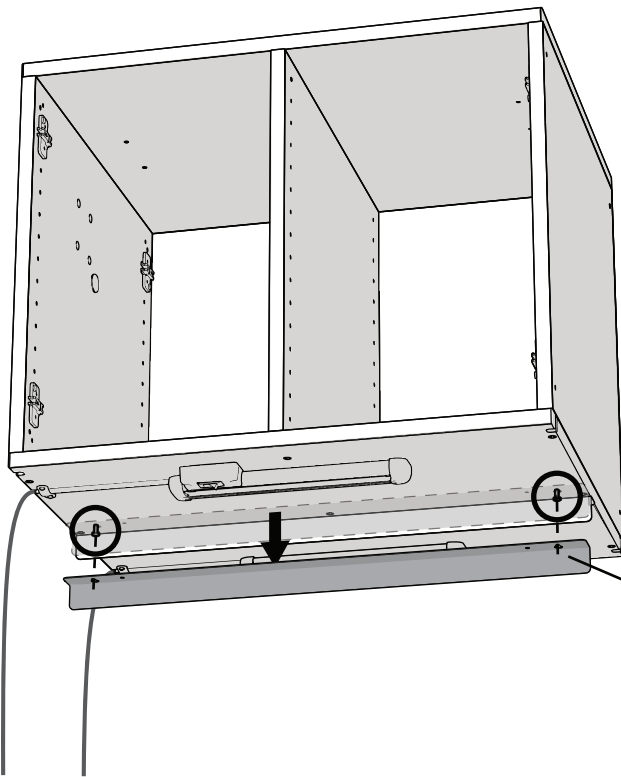
- 2** Secure the privacy panel through the countertop. Use one screw with mid sections that are 14" (35.6 cm) wide and two screws with mid sections wider than 14" (35.6 cm).



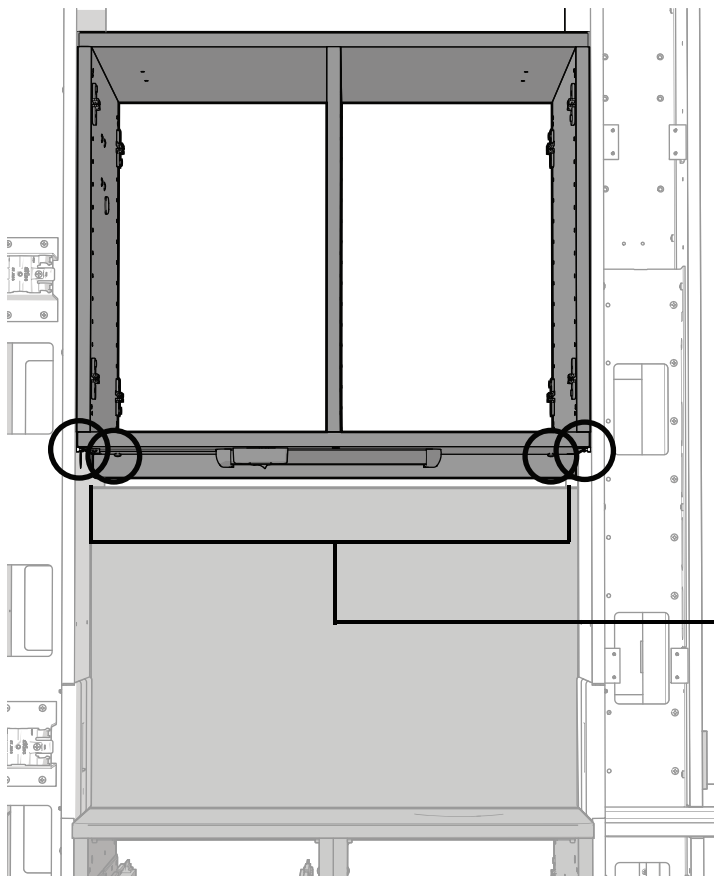
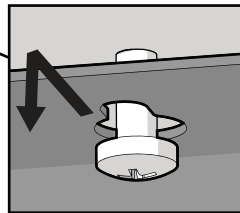
Actual Size

- 3** Start to thread the bolt through the x-ray column. Do not tighten until the upper is in place.

E Install the Mid Upper (Mid and Full configurations only)

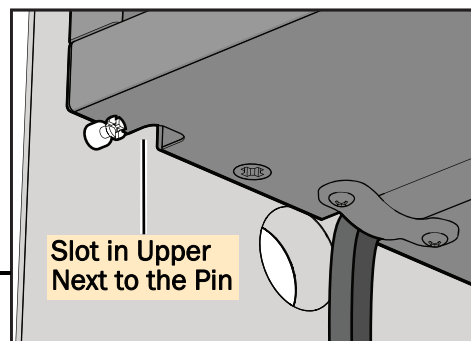


- 1** There are two brackets on the bottom of the upper. On the bracket secured through keyholes, loosen the two screws in the keyholes and remove the bracket.

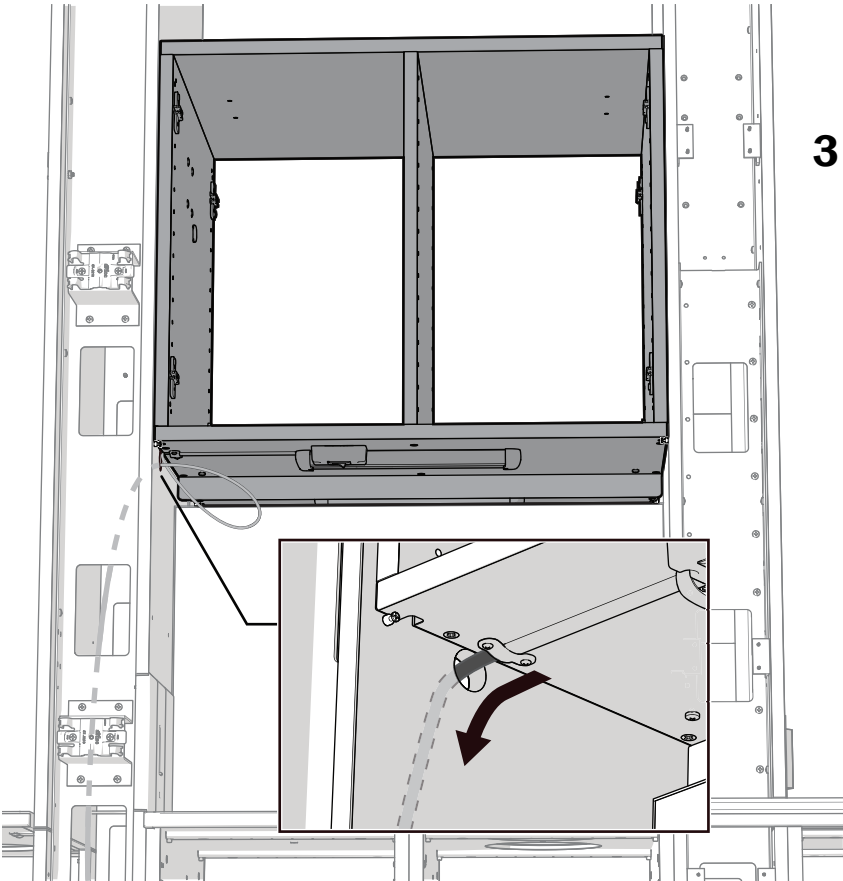
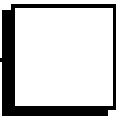


NOTE If the upper includes shipping panels, use a Phillips head screwdriver to remove the panels and their brackets before installing the upper.

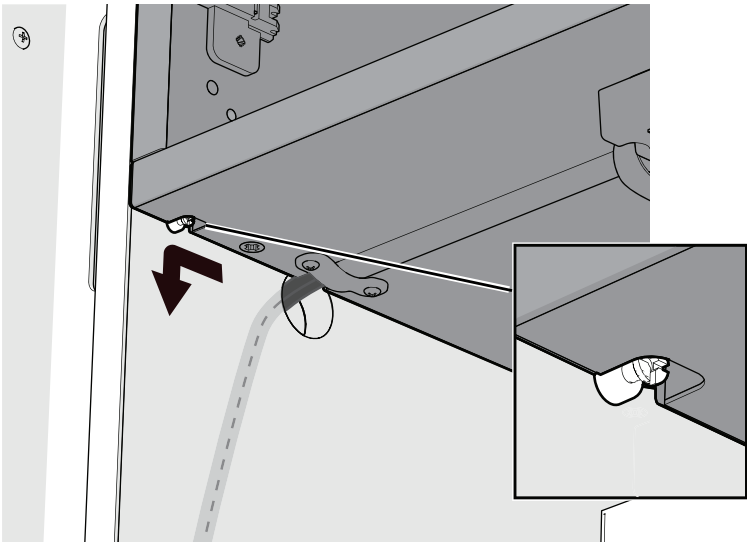
CAUTION To enable routing and prevent pinching wires, do not slide the slots of the upper down onto the pins yet.



- 2** With the wiring toward the sink support column, rest the bottom of the upper on the pins in the support columns. The slots in the upper should be next to the pins.

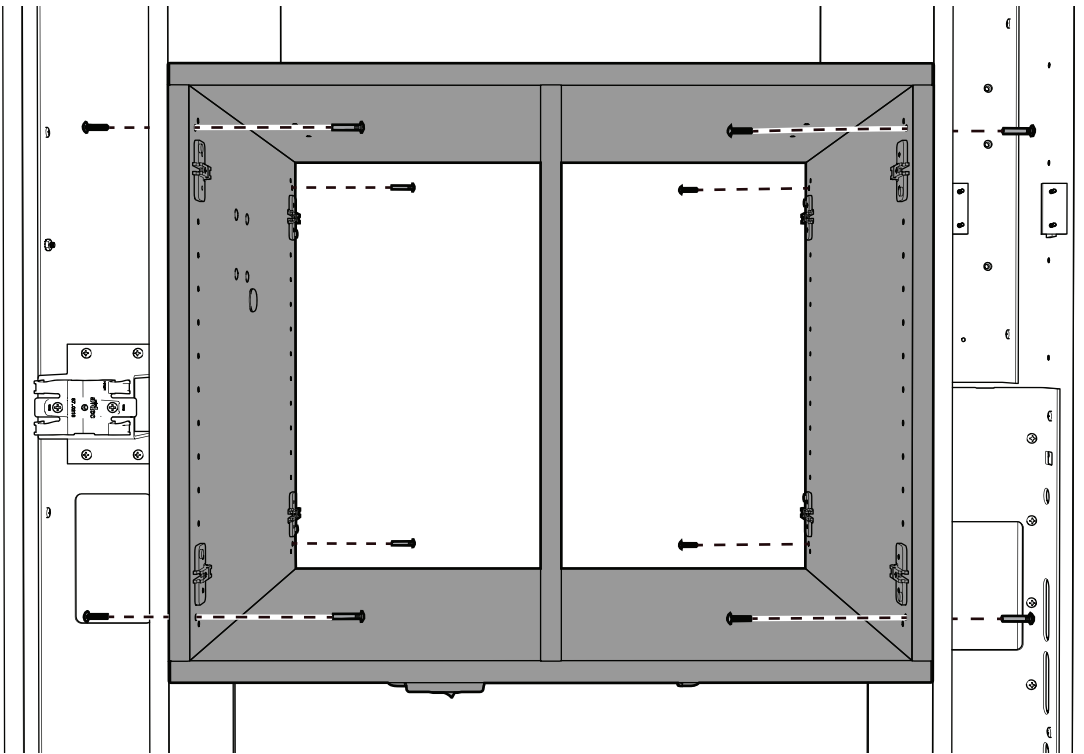
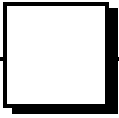


3 Route the two sets of wiring, one set on each side of the privacy panel, through the holes and down the sink support column.



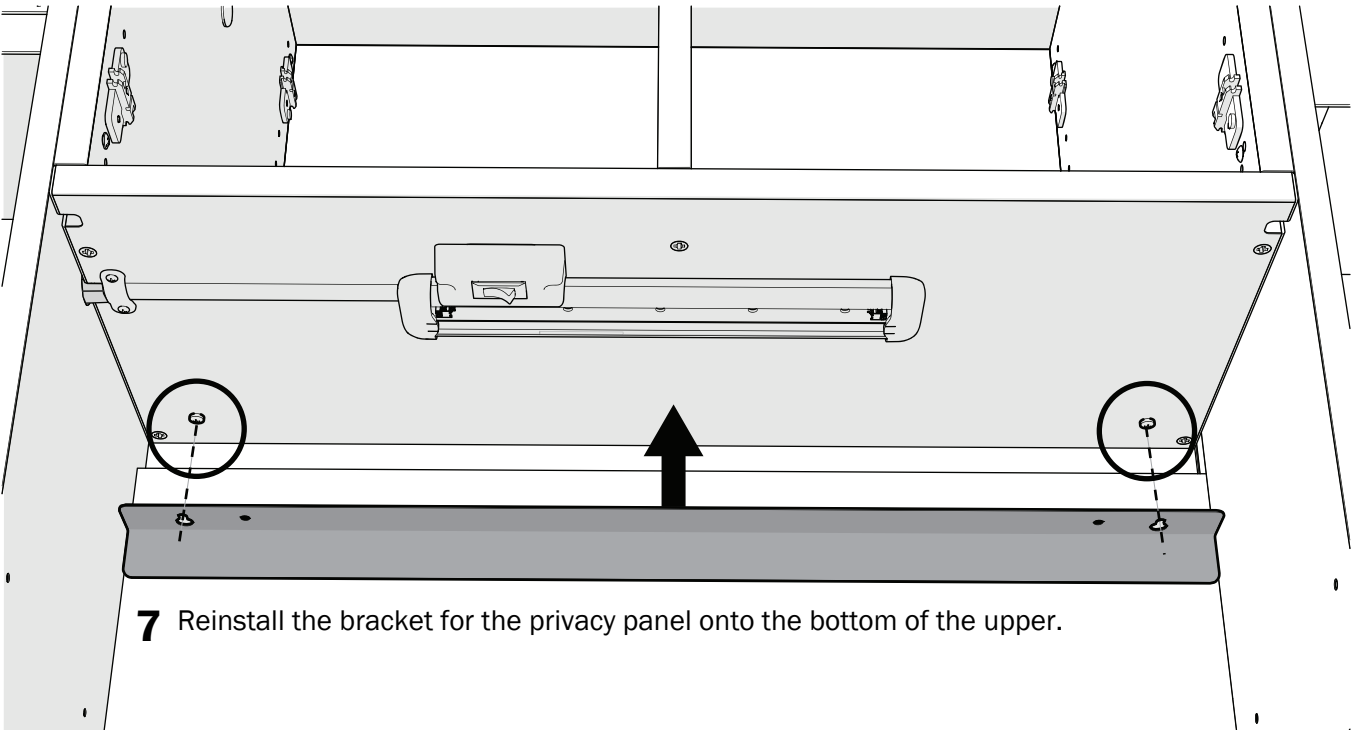
4 Slide the upper over, then down so that the pins on the support columns go into the slots in the upper.

STOP **READ THIS!** If the system includes a clerestory, install it before completing the next two steps. For instructions on installing a clerestory, see “Install the Clerestory (optional)” on page 17.



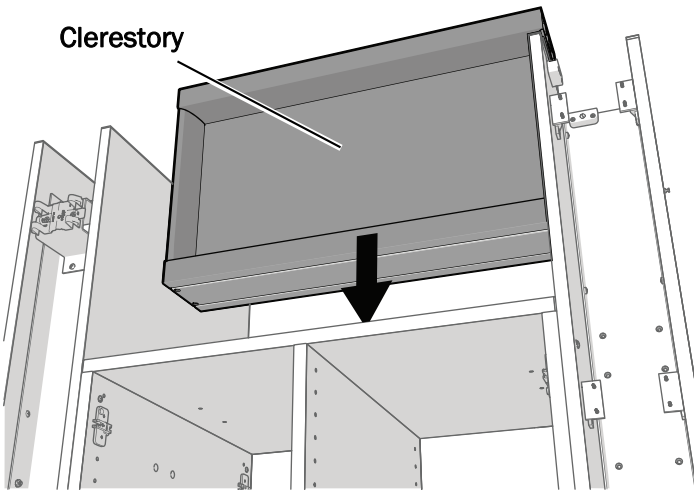
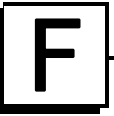
5 Use four barrel bolts on each side to secure the upper to the support columns.

6 Completely tighten the bolts to secure the privacy panel to the x-ray column.



7 Reinstall the bracket for the privacy panel onto the bottom of the upper.

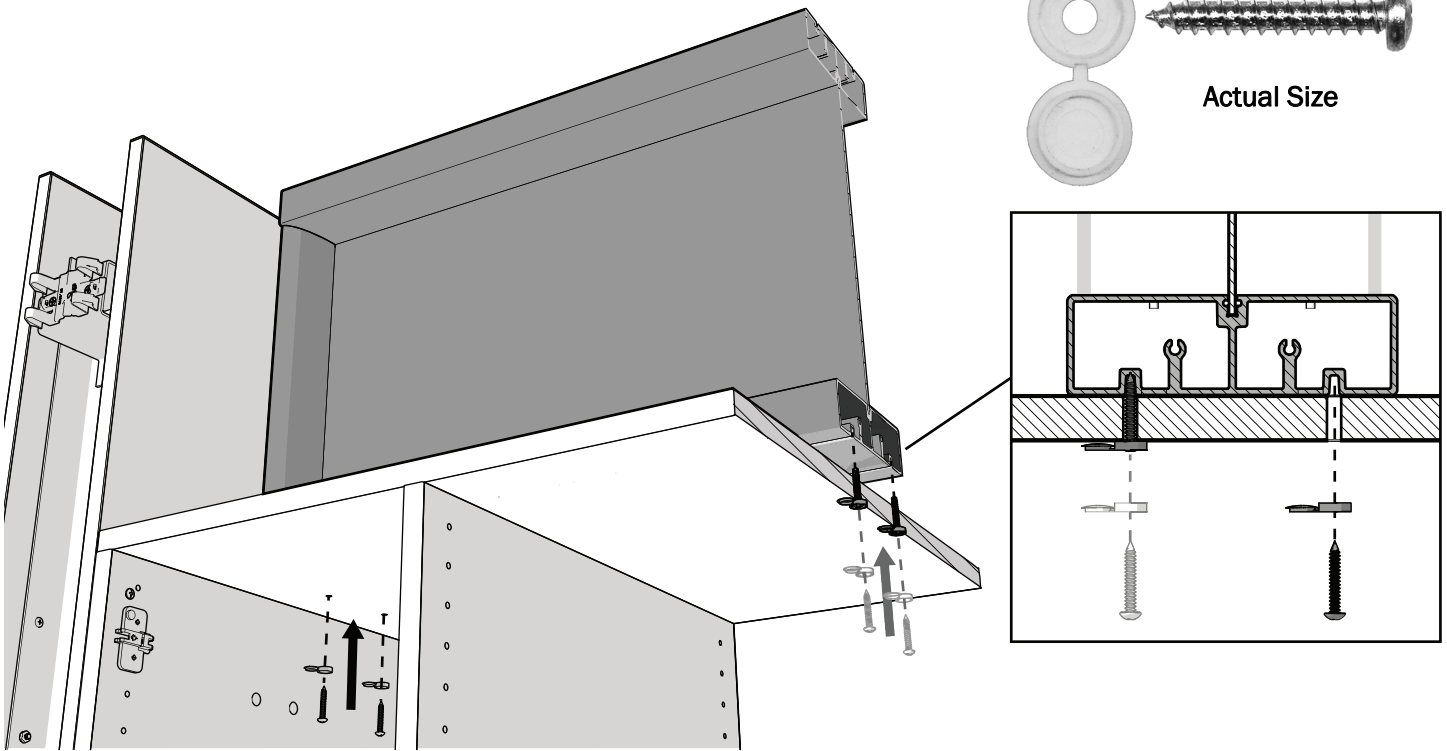
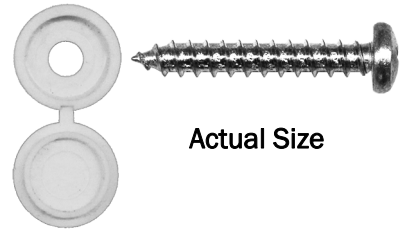
Install the Clerestory (optional) (Mid and Full configurations only)



- 1 Place the clerestory in position above the upper with its channels over the holes in the upper.



NOTE The clerestory can be installed with either end up. It has channels on both ends.



CAUTION Screws may strip if too much torque is used to install them. Do not use a power screwdriver or overtighten the screws.

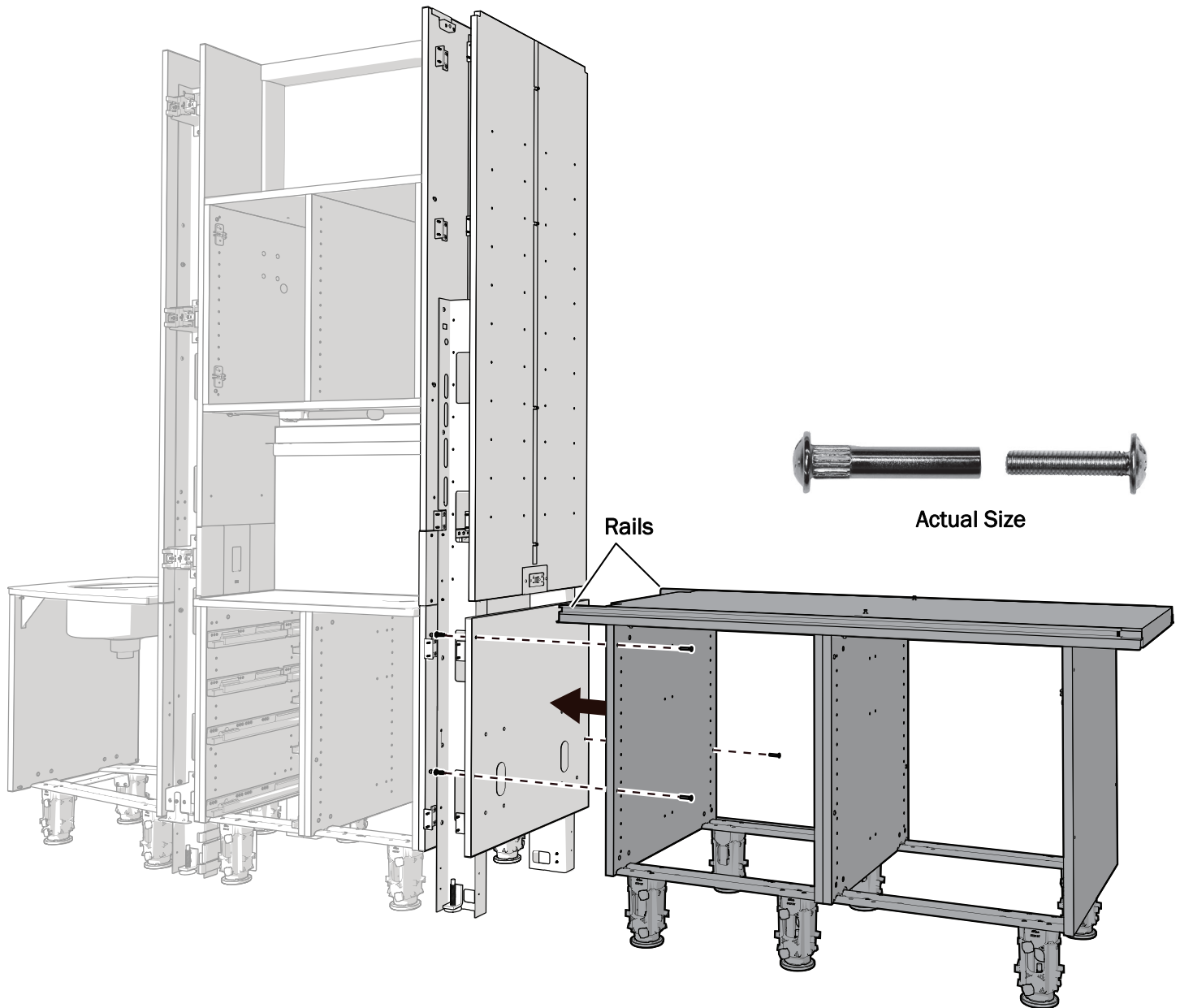
- 2 To secure the clerestory to the upper, use four screws with caps through the top of the upper into the channels of the clerestory.

Next Step See the section for the cabinet's configuration:

Mid - "Level the Cabinet" on page 21

Full - "Install the Equipment Lower and End Support Panel" on page 18

G Install the Equipment Lower and End Support Panel (Full configurations only)

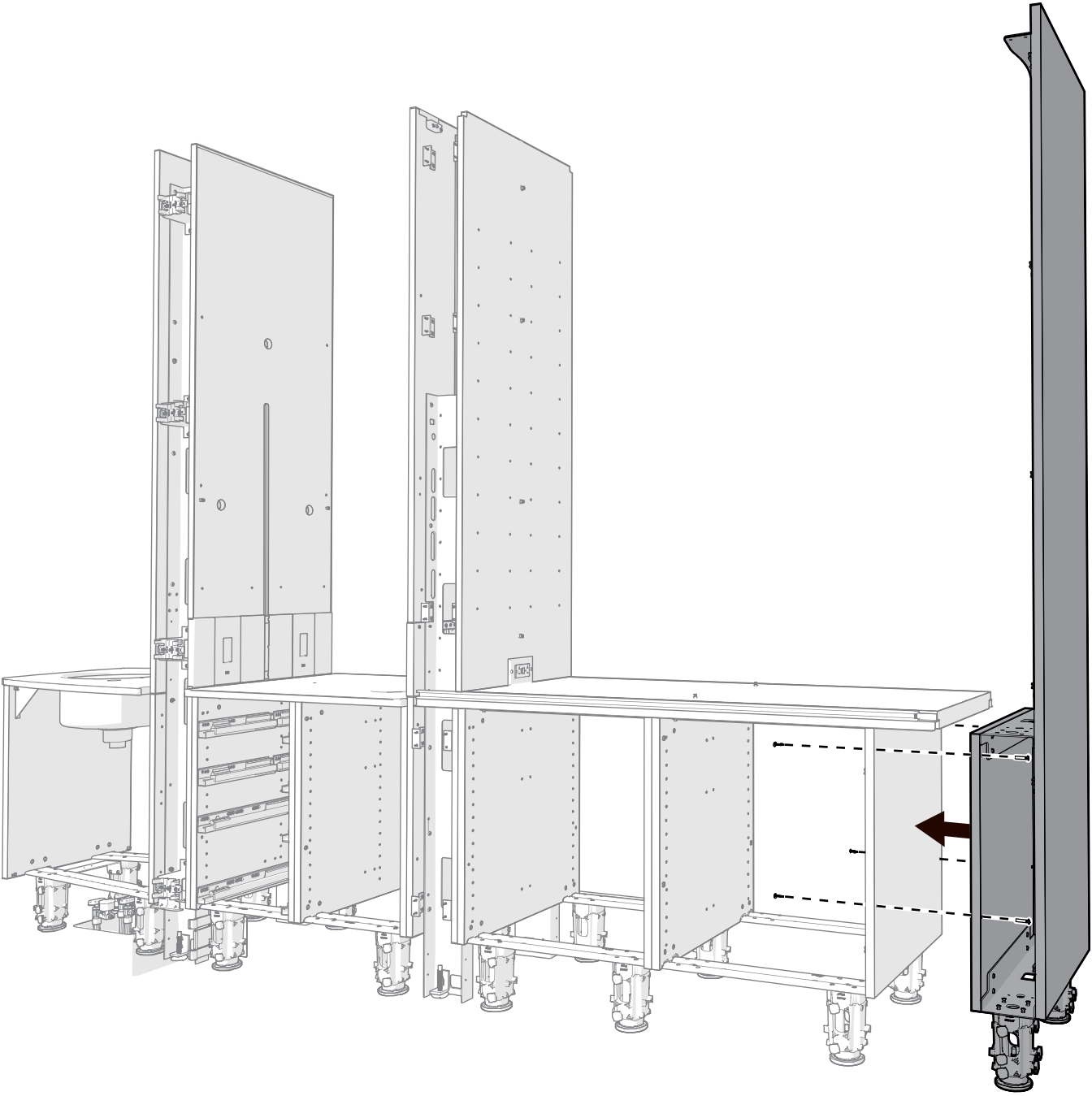
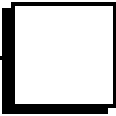


CAUTION If the lower includes shipping panels, failure to support the lower when the shipping panels have been removed may result in cabinet failure.



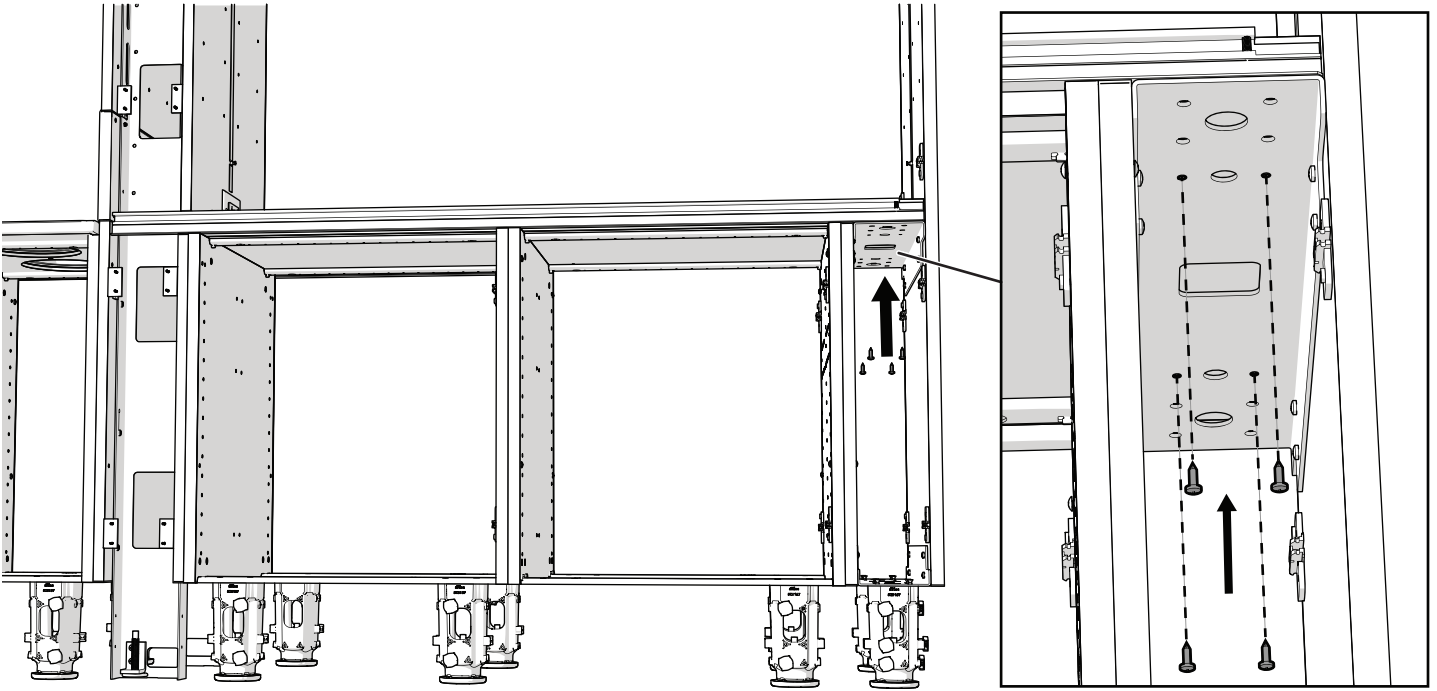
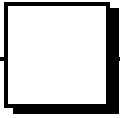
NOTE If the lower includes shipping panels, use a Phillips head screwdriver to remove two barrel bolts and the shipping panel on the end toward the x-ray support column. Leave the other shipping panel in place.

- 1** Place the equipment lower into position with the x-ray support column. The extended rails nest inside the support column.
- 2** Use four barrel bolts to secure the equipment lower to the x-ray support column.



NOTE If there is a shipping panel remaining on the lower, remove it now.

- 3** Place the end support panel in position with the equipment lower and use four barrel bolts to secure it to the equipment lower.



4 Use four screws to secure the end support panel to the countertop.

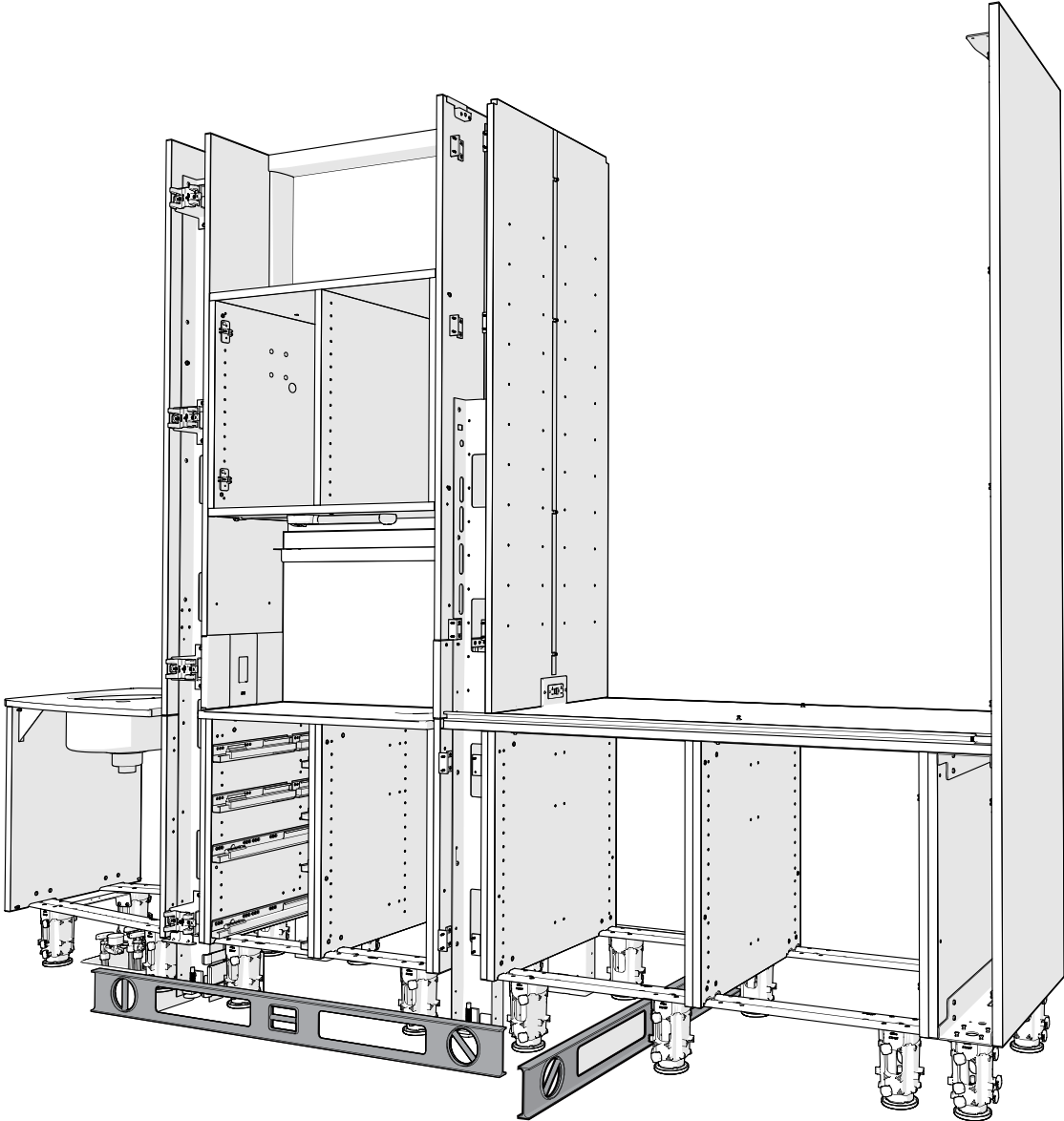


Actual Size

Level the Cabinet



NOTE While the Full Console configuration is shown in these steps, the leveling procedure is the same for all configurations



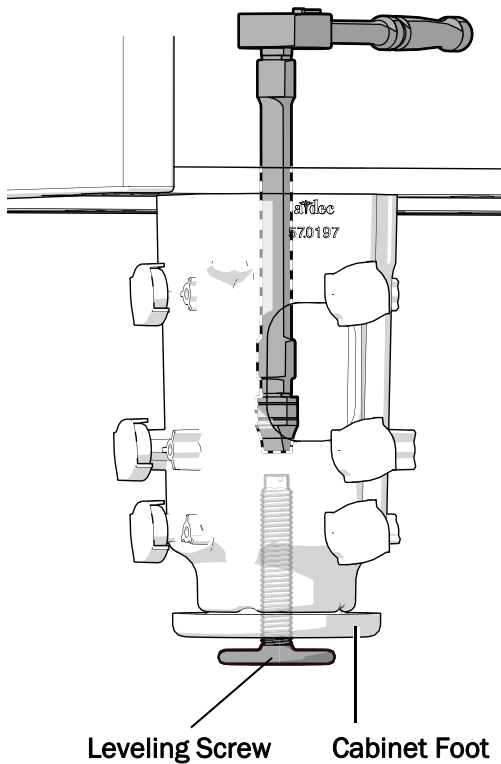
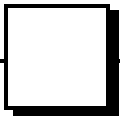
- 1 Use a four foot-level to identify the high point of the floor under the cabinet. Check both side to side and front to back.



TIP For a frame of reference while leveling, mark the high spot with a piece of tape in front of the cabinet.



NOTE Read all of the next two pages before beginning the leveling procedure.



CAUTION When adjusting the leveling screw, be sure to use a 6 point socket. 12 point sockets can damage the screws.



CAUTION To maintain the complete look and functionality of the cabinet, do not raise the cabinet more than 3/4" (19 mm).

- Starting at the support columns and end panel, use a 5/16" socket and ratchet (with extension) to adjust the leveling screws as needed.

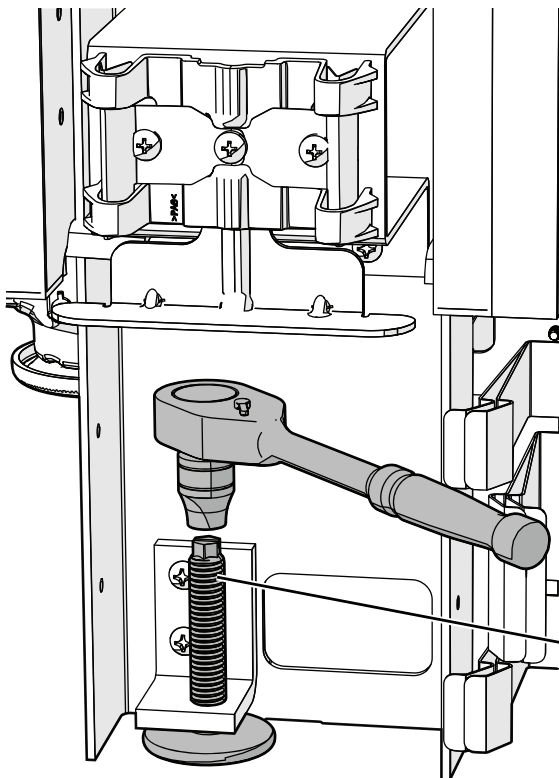


NOTE Extend the leveling screw (turn it clockwise) to raise the cabinet. Retract the screw to lower the cabinet.

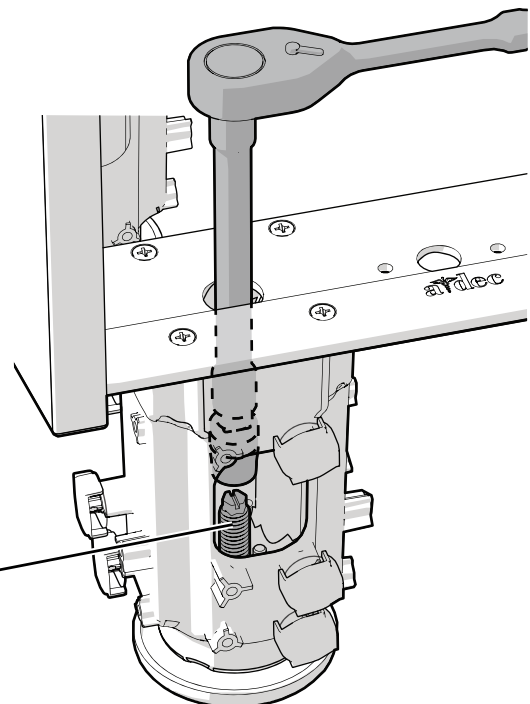
- Work from side to side and end to end. Adjust the leveling screws to raise cabinet sections until they are even with the high point and the entire cabinet is level.



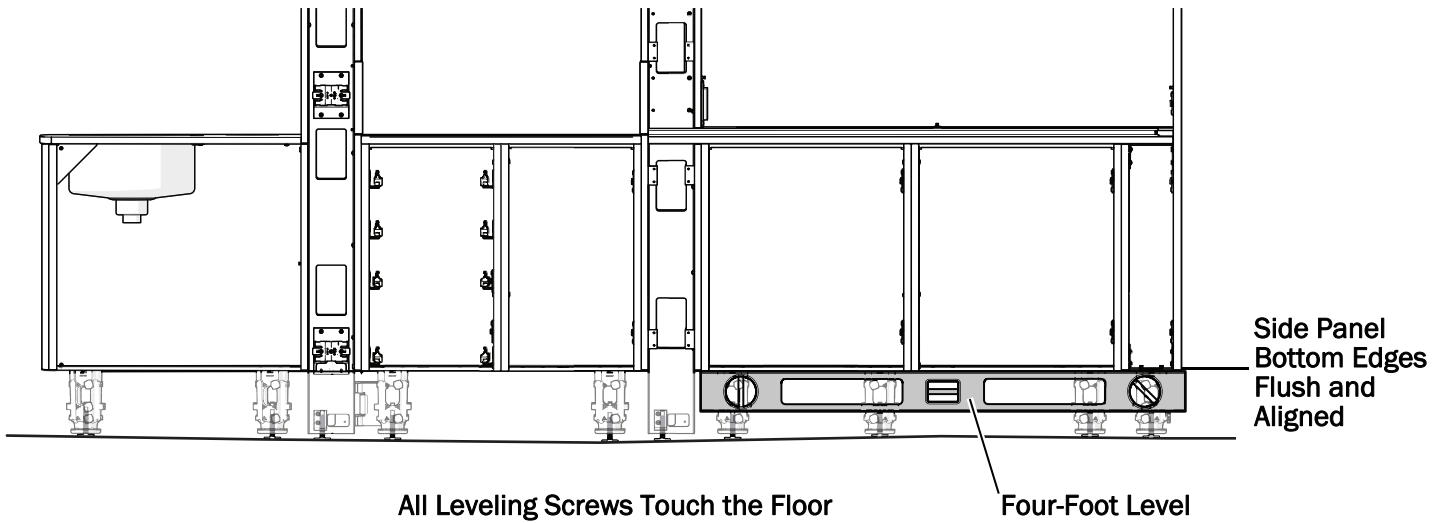
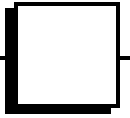
NOTE Continue to alternate side to side and end to end adjustments during the entire leveling process.



Leveling Screw in a Support Column



Leveling Screw in a Cabinet Foot



4 Use a straight edge to make sure the bottom edges of all the side panels, from module to module, are flush and aligned. A base cover may be used if no other straight edge is available.

5 Make sure all of the leveling screws are touching the floor.



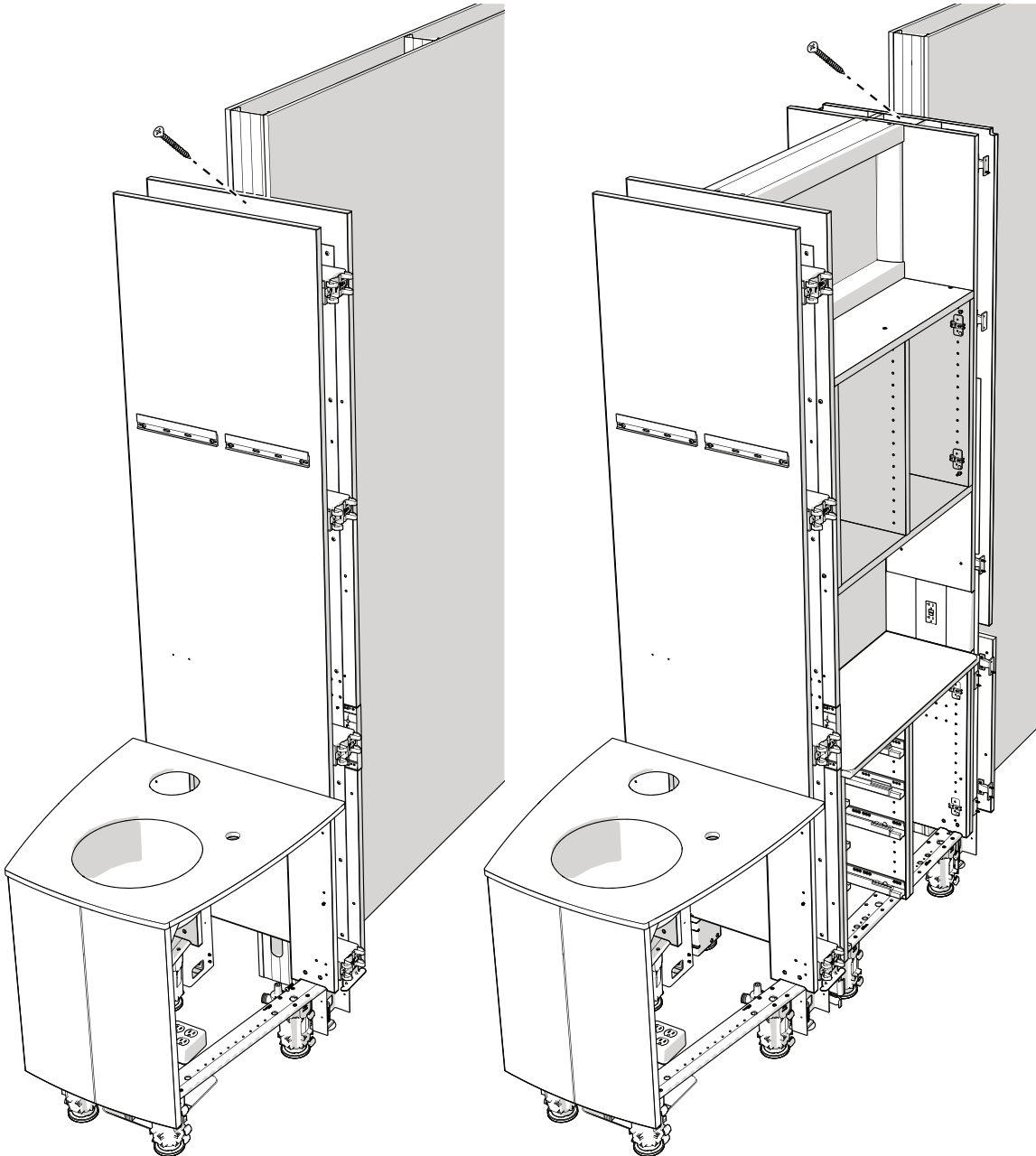
TIP To check that the leveling screw is touching the floor, try to slide a piece of paper under it.

Next Step See the section for the cabinet's configuration:
T-Wall and Mid - "Anchor the Cabinet to a Structural Wall" on page 24
Full - "Anchor the Cabinet to the Floor" on page 25

I Anchor the Cabinet to a Structural Wall (T-Wall and Mid configurations only)



Actual Size



- 1 Through the top of the support column, use a screw to anchor the cabinet to the structural wall.



NOTE Ensure the support column is plumb during anchoring. Use shims as necessary.

Anchor the Cabinet to the Floor



Determine the Anchor Locations

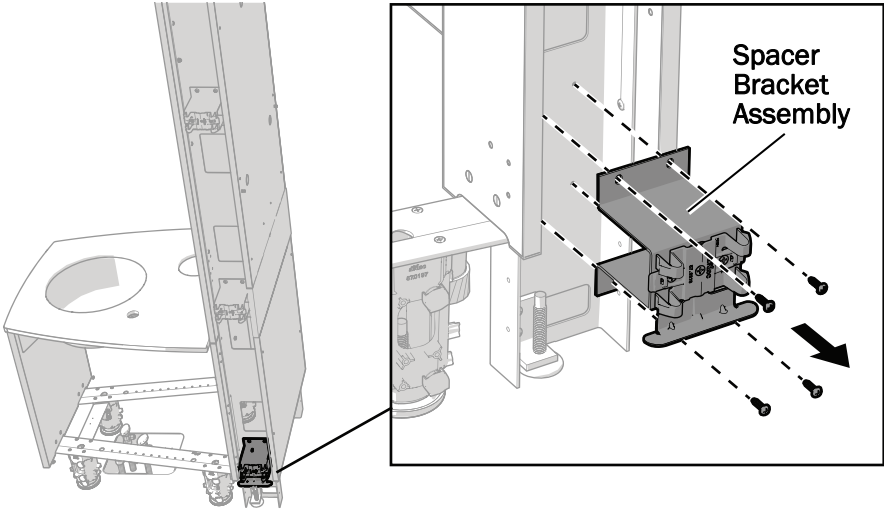
Review the illustrations on this page and the next to identify anchor locations. Installation instructions begin on page 27.



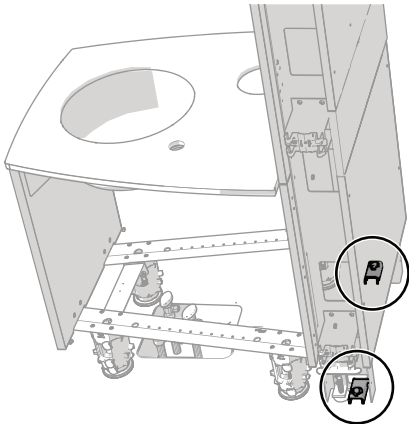
CAUTION Do not place anchors on the feet of the sink module.



NOTE If your location requires additional anchoring support because of seismic requirements or structural codes, contact A-dec Customer Service for additional anchors.

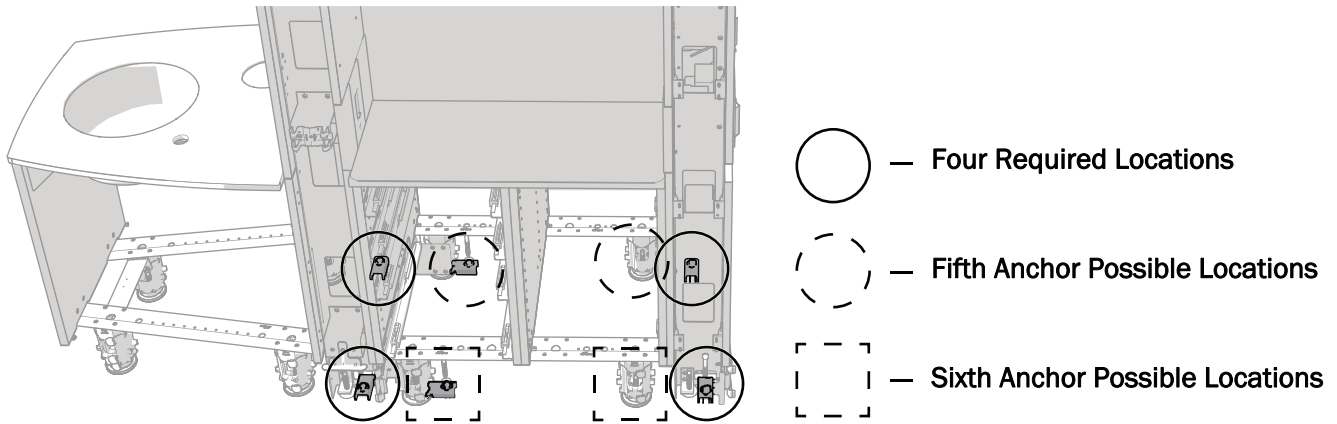
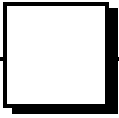


NOTE If the support column uses a column cover, it will include a spacer bracket that prevents access for anchoring the column. Remove the spacer bracket assembly with a Phillips head screwdriver to access the bottom of the support column. Replace the bracket once the column is anchored.



T-Wall Console

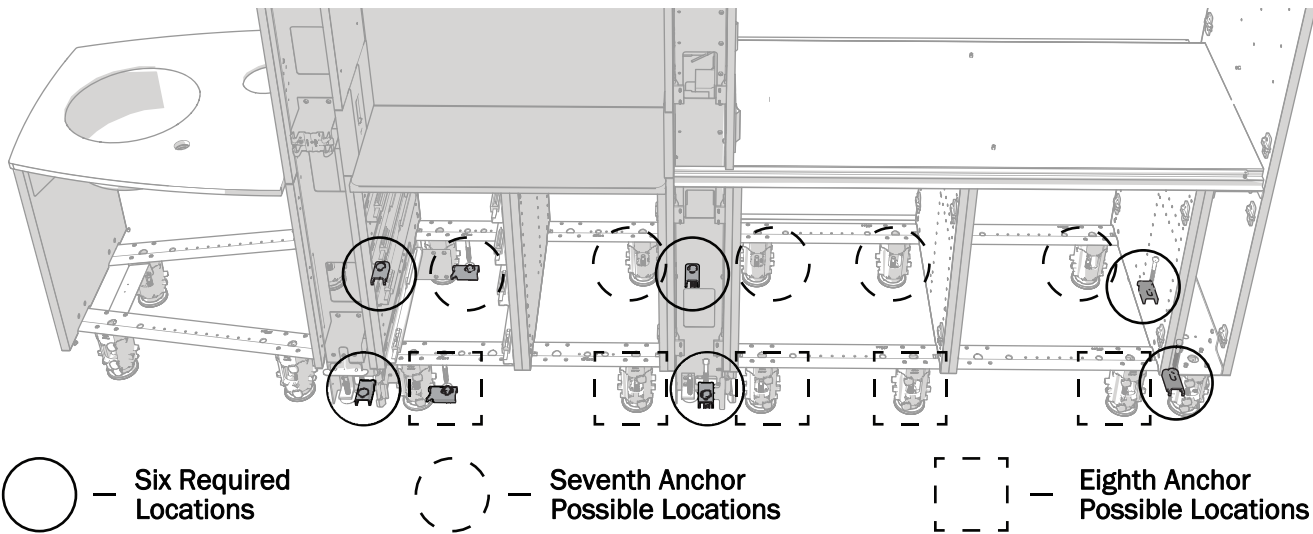
Two anchors on the sink support column.



Mid Console

Six Anchors Total:

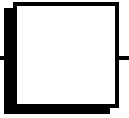
- Two anchors on each support column
- Two anchors on the feet of the mid lower (one on each side)



Full Console

Eight Anchors Total:

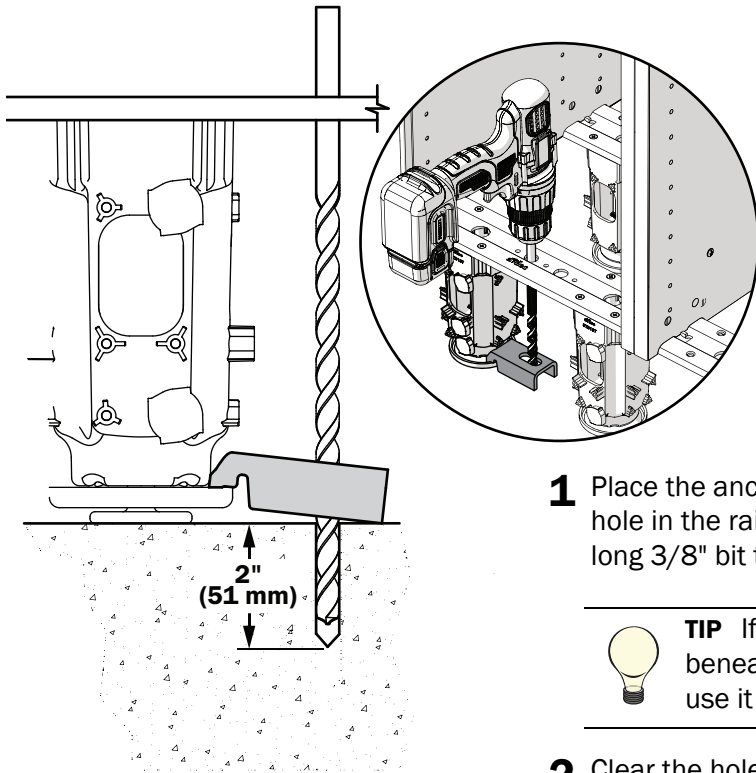
- Two anchors on each support column
- Two anchors on the end panel
- Two anchors on the feet of the mid lower or equipment lower (one on each side).



Secure the Anchors

At each anchor location, complete the steps in the section for the type of floor. See the next page for wood floors.

Concrete Floors



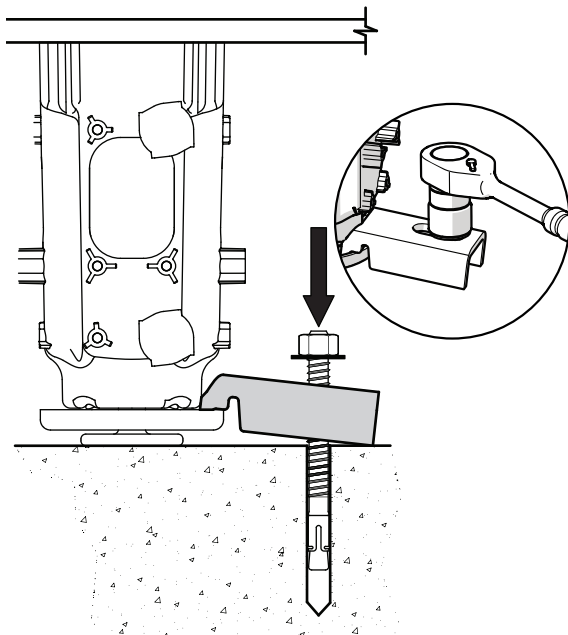
CAUTION If the flooring material is not at least 4" (101.6 mm) thick, consult a licensed contractor about adding reinforcement to the flooring.

- 1 Place the anchor on the foot or support column and align it with a hole in the rail. Through the holes in the rail and anchor, use a 10" long 3/8" bit to drill a hole a minimum of 2" (51 mm) deep.



TIP If you need to place the anchor in a location other than beneath the rail hole, position the anchor on the foot and use it as a template for drilling the hole.

- 2 Clear the hole of all debris.



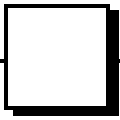
- 3 Place the washer and nut on the anchor bolt, then insert the bolt through the anchor into the hole.

- 4 Drive the bolt into the hole until the washer is touching the anchor.

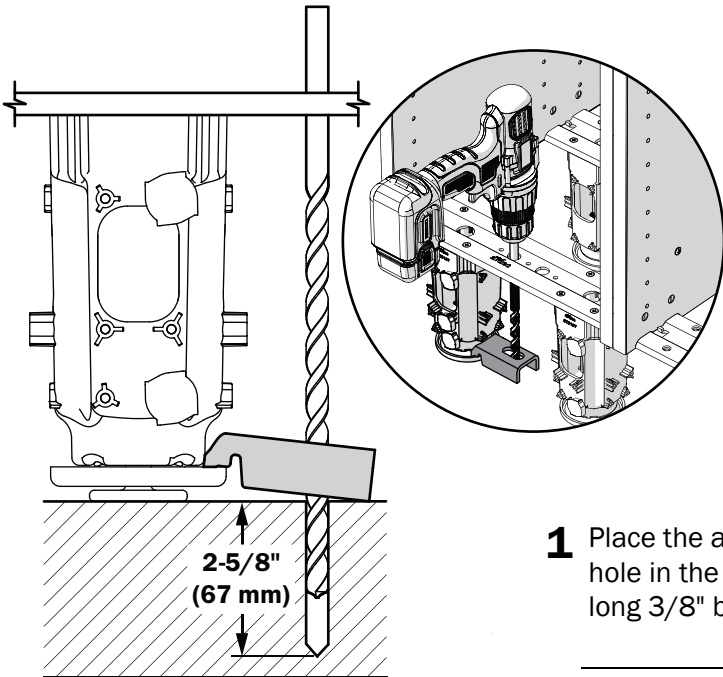


TIP Use a 1/2" (12.7 mm) dowel to help drive the anchor bolt.

- 5 Use a 9/16" socket and ratchet to tighten the nut until it is snug against the anchor.



Wood Floors

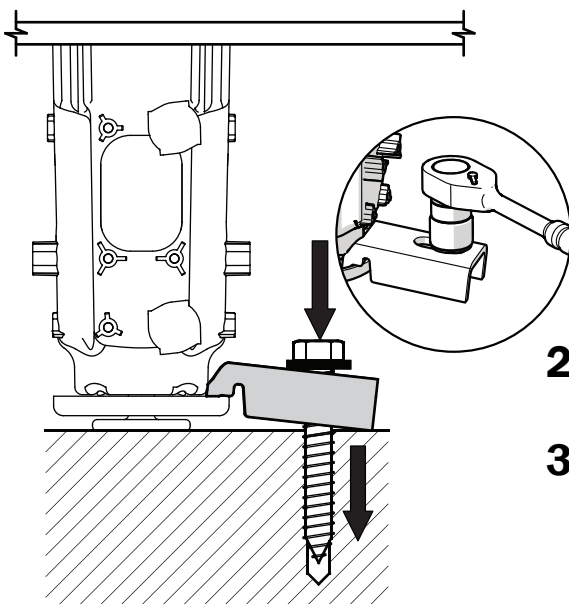


CAUTION If the flooring material is not at least 3" (76.2 mm) thick, consult a licensed contractor about adding reinforcement to the flooring.

- 1** Place the anchor on the foot or support column and align it with a hole in the rail. Through the holes in the rail and anchor, use a 10" long 3/8" bit to drill a hole a minimum of 2-5/8" (67 mm) deep.



TIP If you need to place the anchor in a location other than beneath the rail hole, position the anchor on the foot and use it as a template for drilling the hole.



- 2** Place the washer on the anchor bolt, then insert the bolt through the anchor into the hole.
- 3** Use a 3/4" socket and ratchet to tighten the bolt until it is snug against the washer and firmly secures the cabinet to the floor.

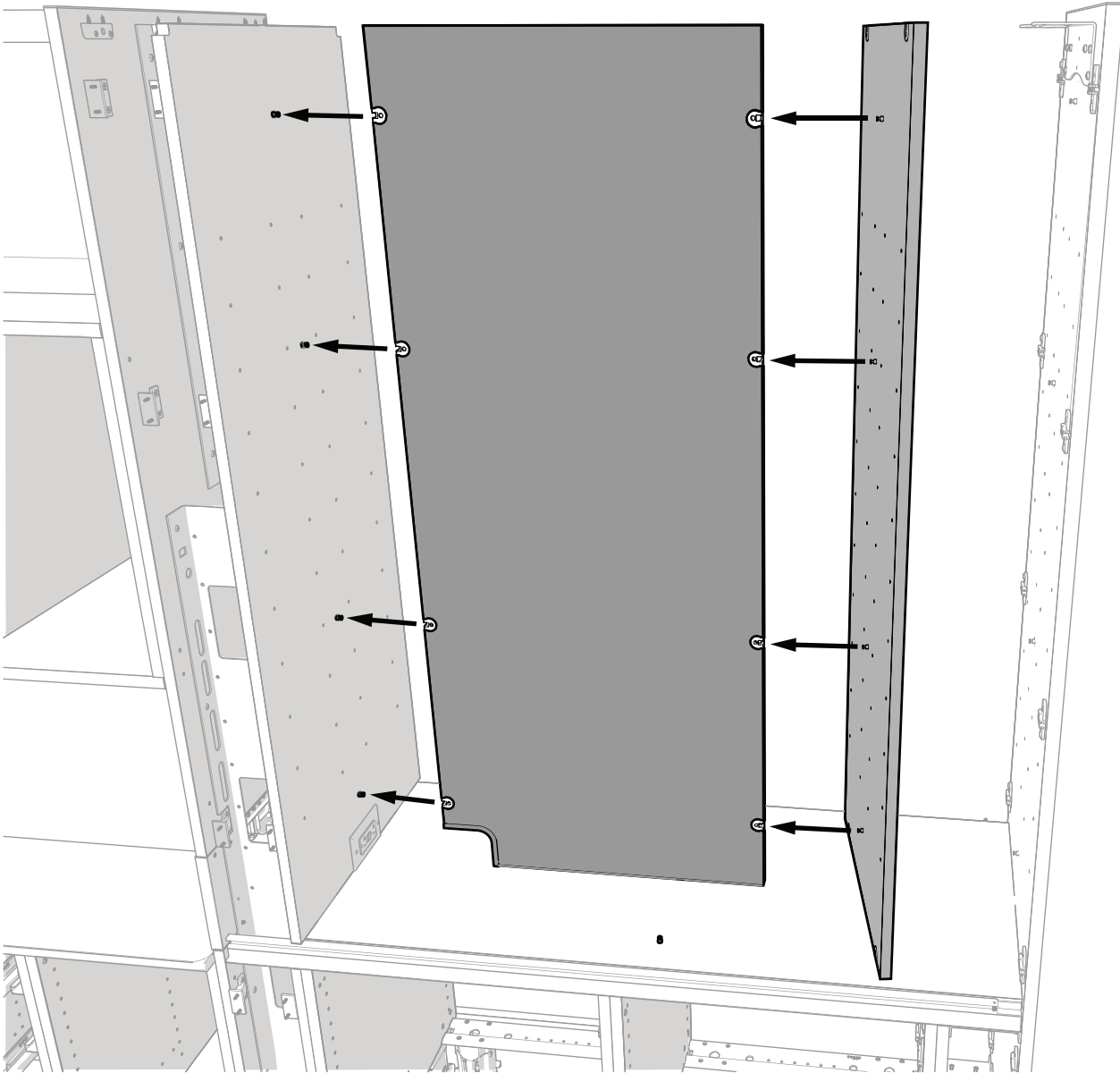
Next Step See the section for the cabinet's configuration:

- **T-Wall and Mid** - "Install the Dispenser" on page 38
- **Full** - "Install the X-Ray/Storage Upper" on page 29

Install the X-Ray/Storage Upper (Full configurations only)

K

Install the Split Storage (optional)

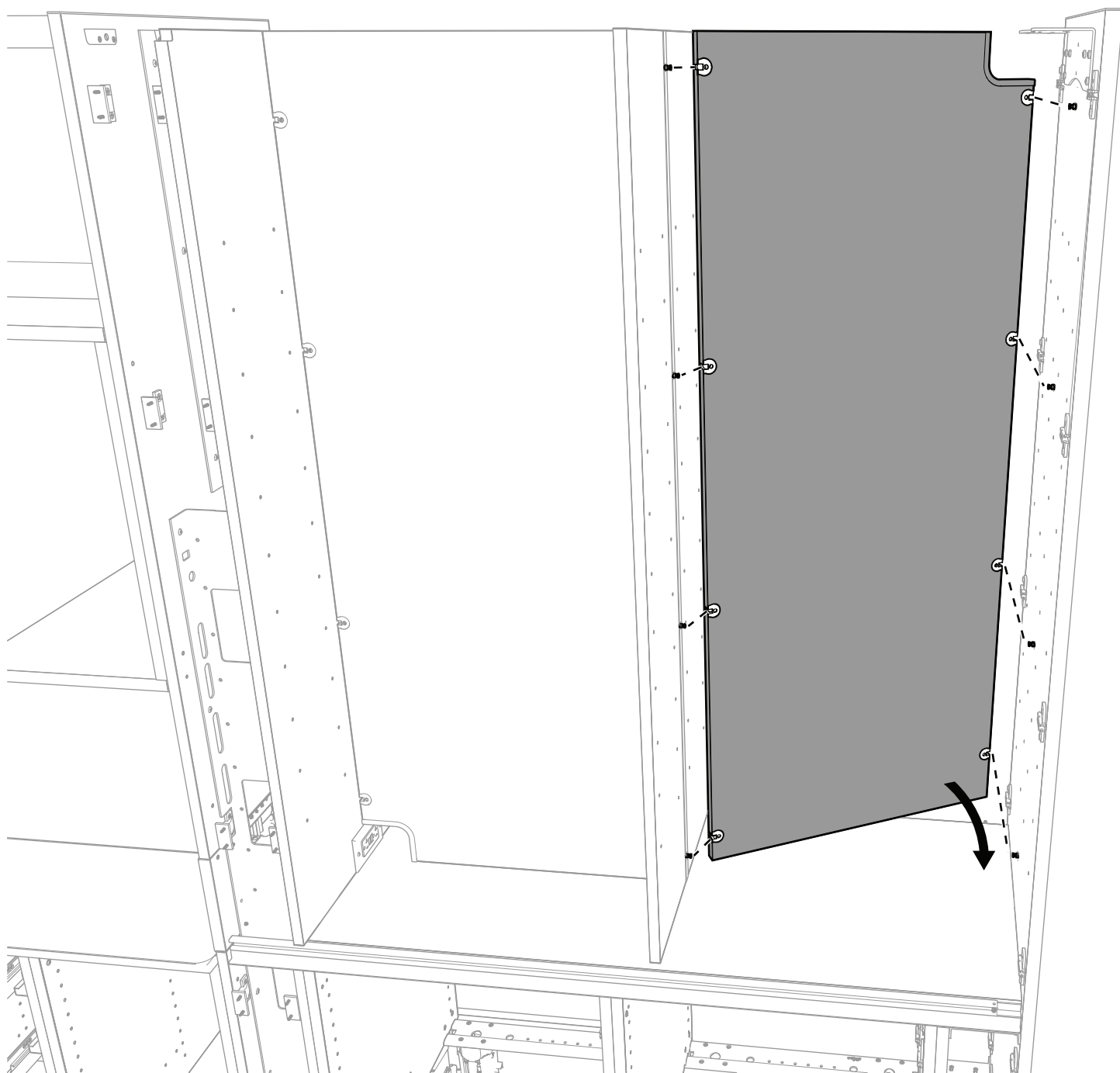
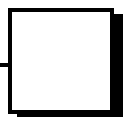


- 1 Place the first large panel with its opening at the bottom by the x-ray support column and slide it onto the pins on the x-ray support column.

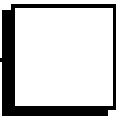


NOTE The larger panels are identical and can be installed in either position for the split storage.

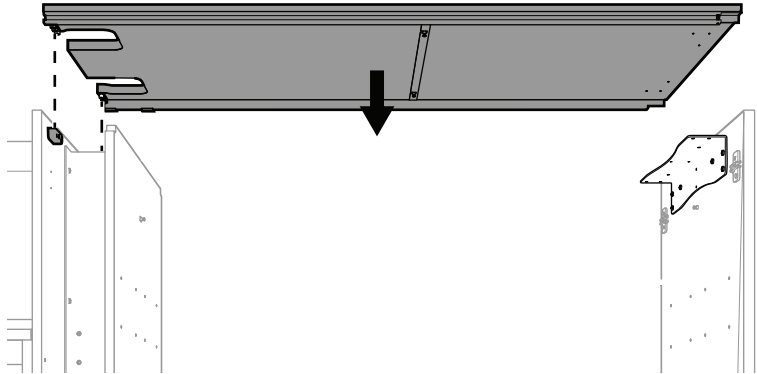
- 2 Use a #2 Pozidriv screwdriver to close the cams and secure the panel.
- 3 Slide the center panel into place and close its cams to secure it to the first panel and the equipment lower.



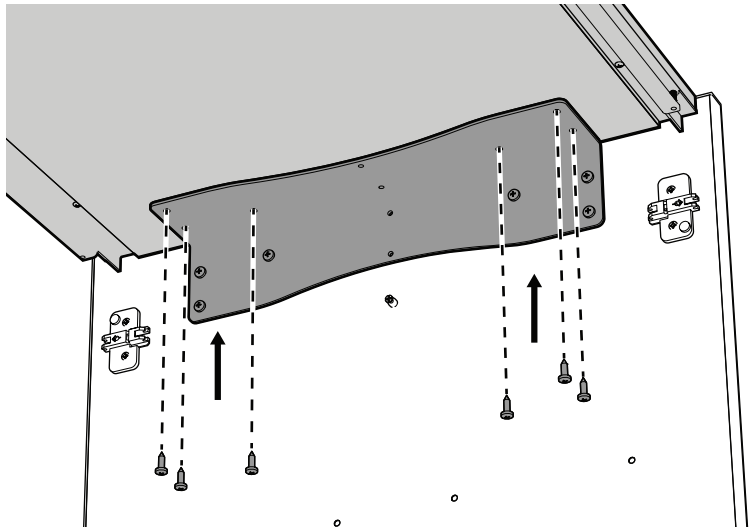
- 4** Slide the second large panel into place with its opening at the top by the plate on the end support panel.
- 5** Close the panel's cams to secure it to the center panel and the end support panel.



Install the Top Panel



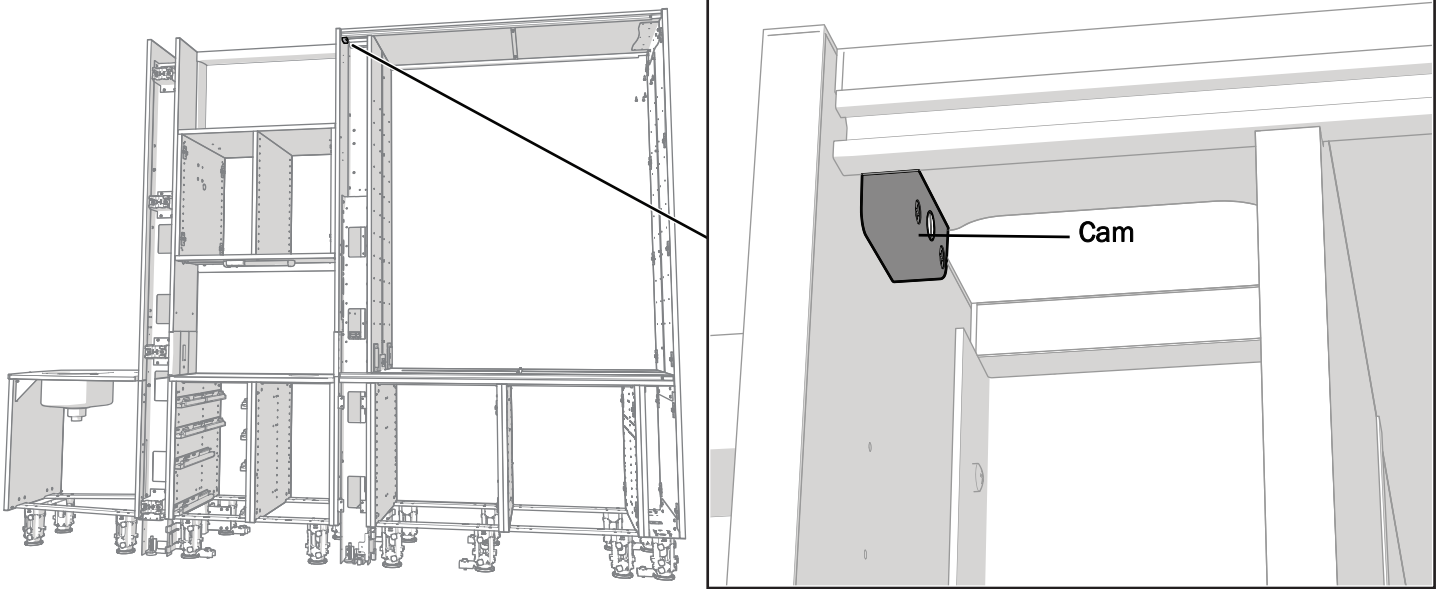
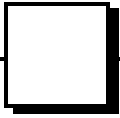
- 1** With the slotted end toward the sink, place the top panel on the x-ray support column and end support panel.



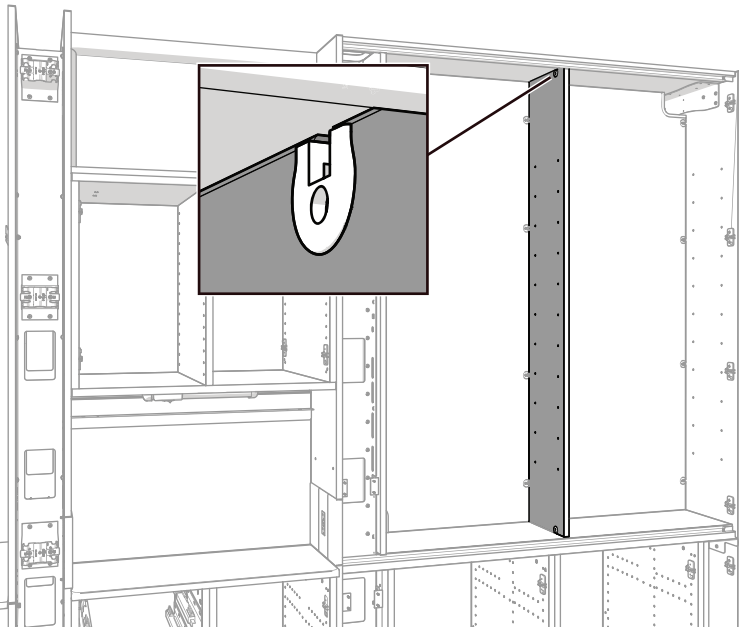
- 2** Use six screws and a Phillips head screwdriver to secure the top panel to the angle bracket connected to the end support panel.



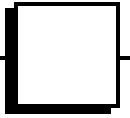
Actual Size



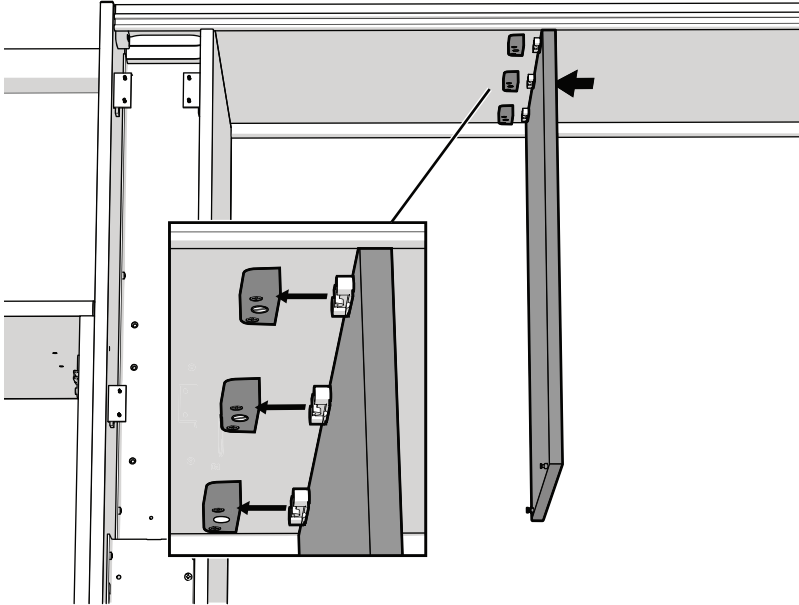
- 3** Use a standard screwdriver to close the two cams on the x-ray support column. There is one on each side of the column.



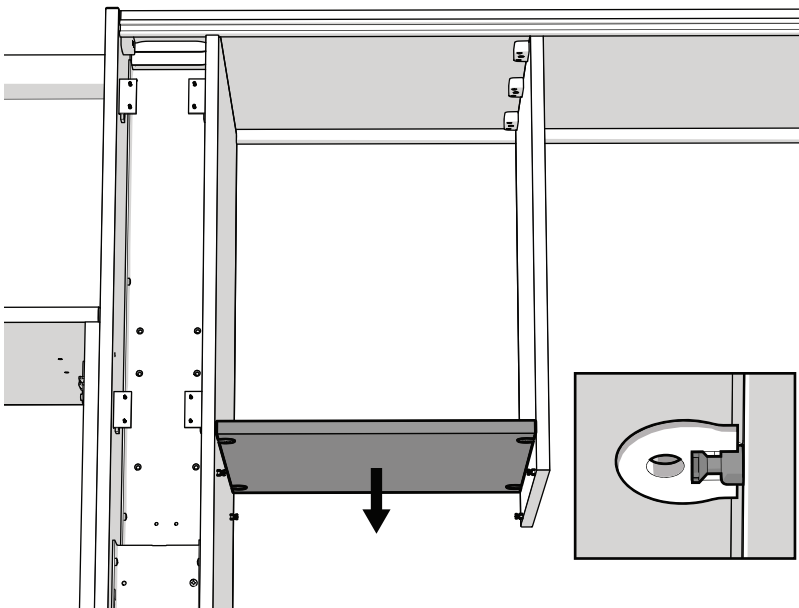
- 4** (Optional) If the cabinet includes split storage, use a #2 Pozidriv screwdriver to close the top center panel cams on both sides of the cabinet (2 cams total).



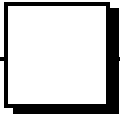
Install the Computer Shelf (optional)



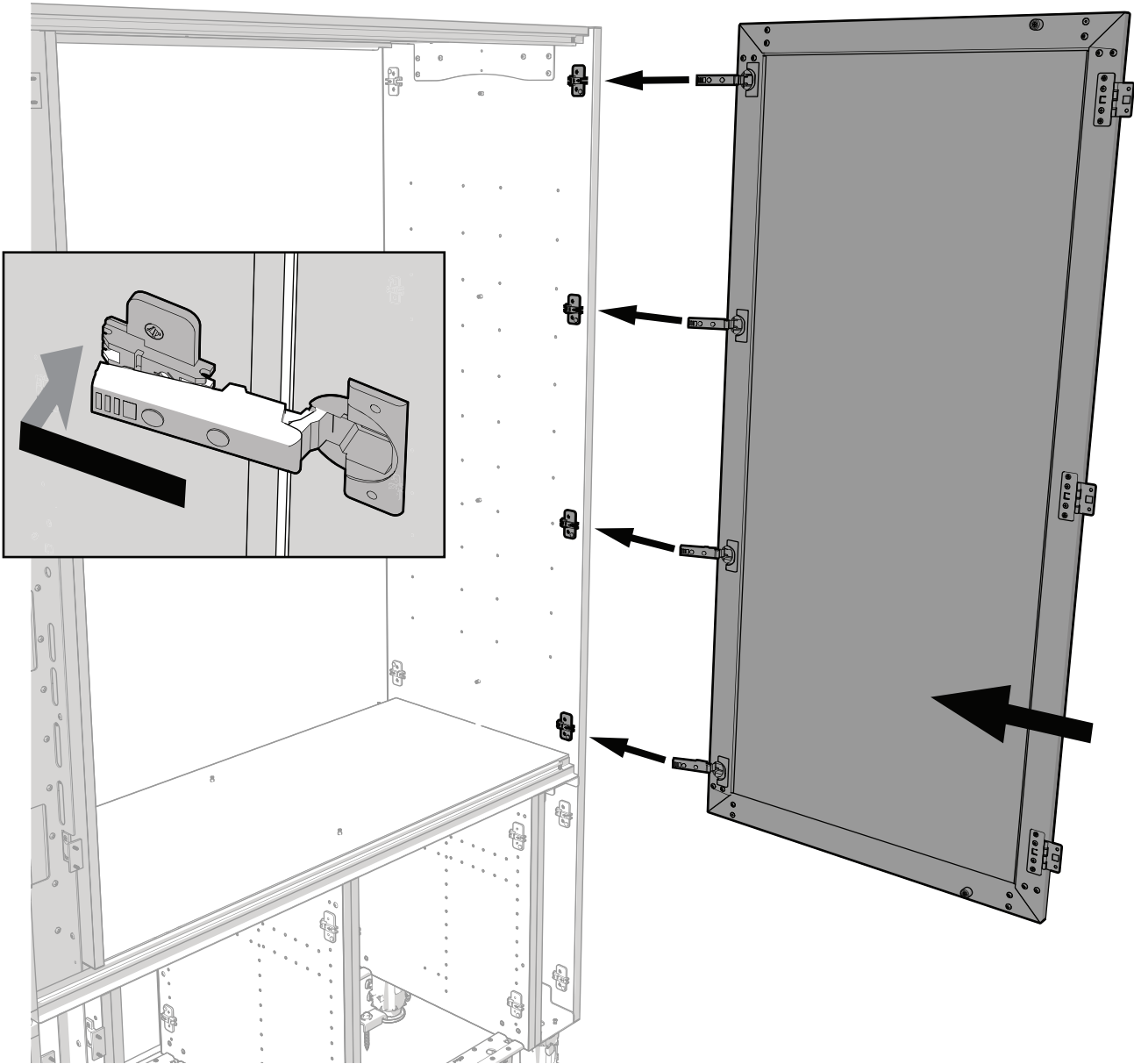
- 1 Place the computer shelf's vertical panel in position next to the cams on the top panel and use a standard screwdriver to secure it to the top panel.



- 2 Place the four cams in the bottom panel over the pins on the x-ray support column and vertical computer panel.
- 3 Close the cams to secure the bottom shelf.



Attach the Hinged Panels

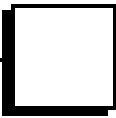


- 1** Fully open all of the hinges.
- 2** Beginning with the top hinge and working to the bottom one, snap each hinge into place.

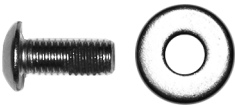
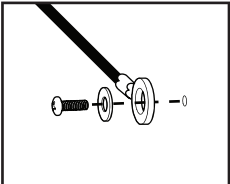
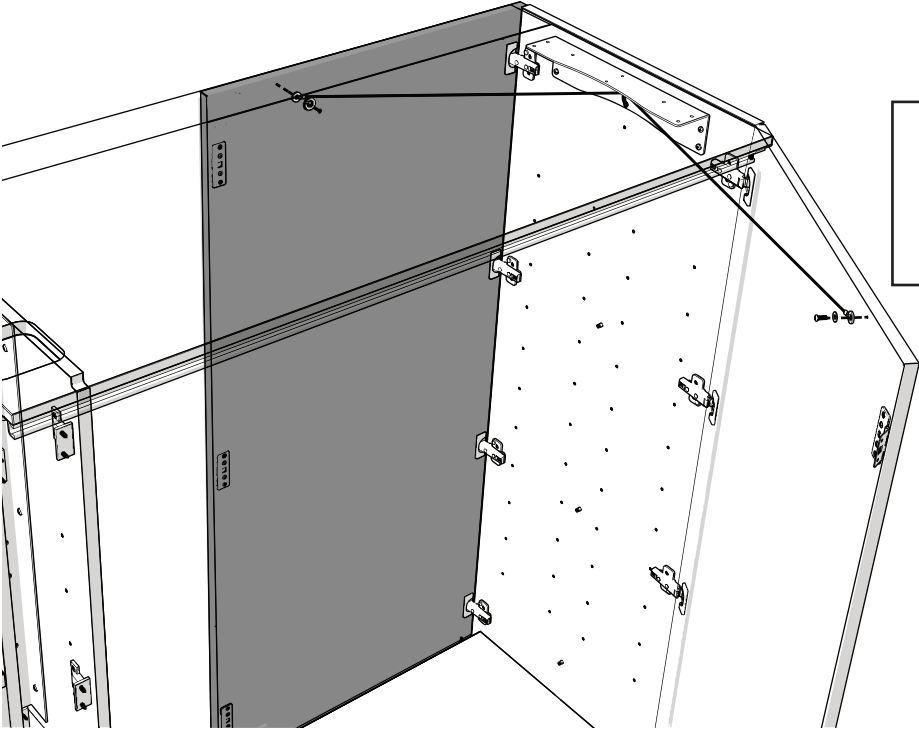


TIP Lift up on the bottom center of the door to distribute the weight evenly. This makes it easier to snap the hinges together.

- 3** Repeat steps 1 and 2 for the hinged panel on the other side.



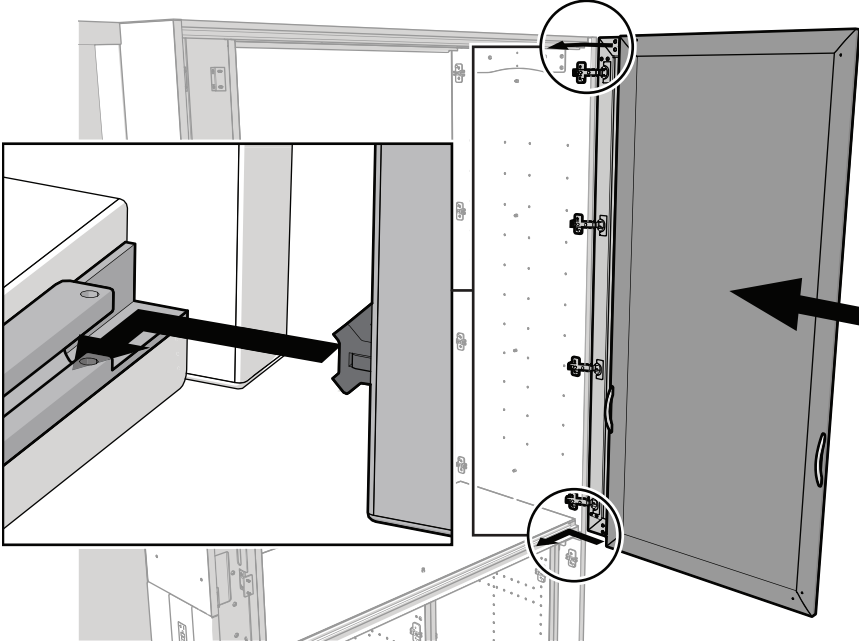
Install the Door Cable (used on wooden doors with attenuation material only)



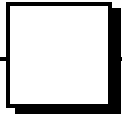
Actual Size

- 1** Uncoil the cable on the end panel but leave it in the eyelet.
- 2** Secure the ends of the cable to the doors.

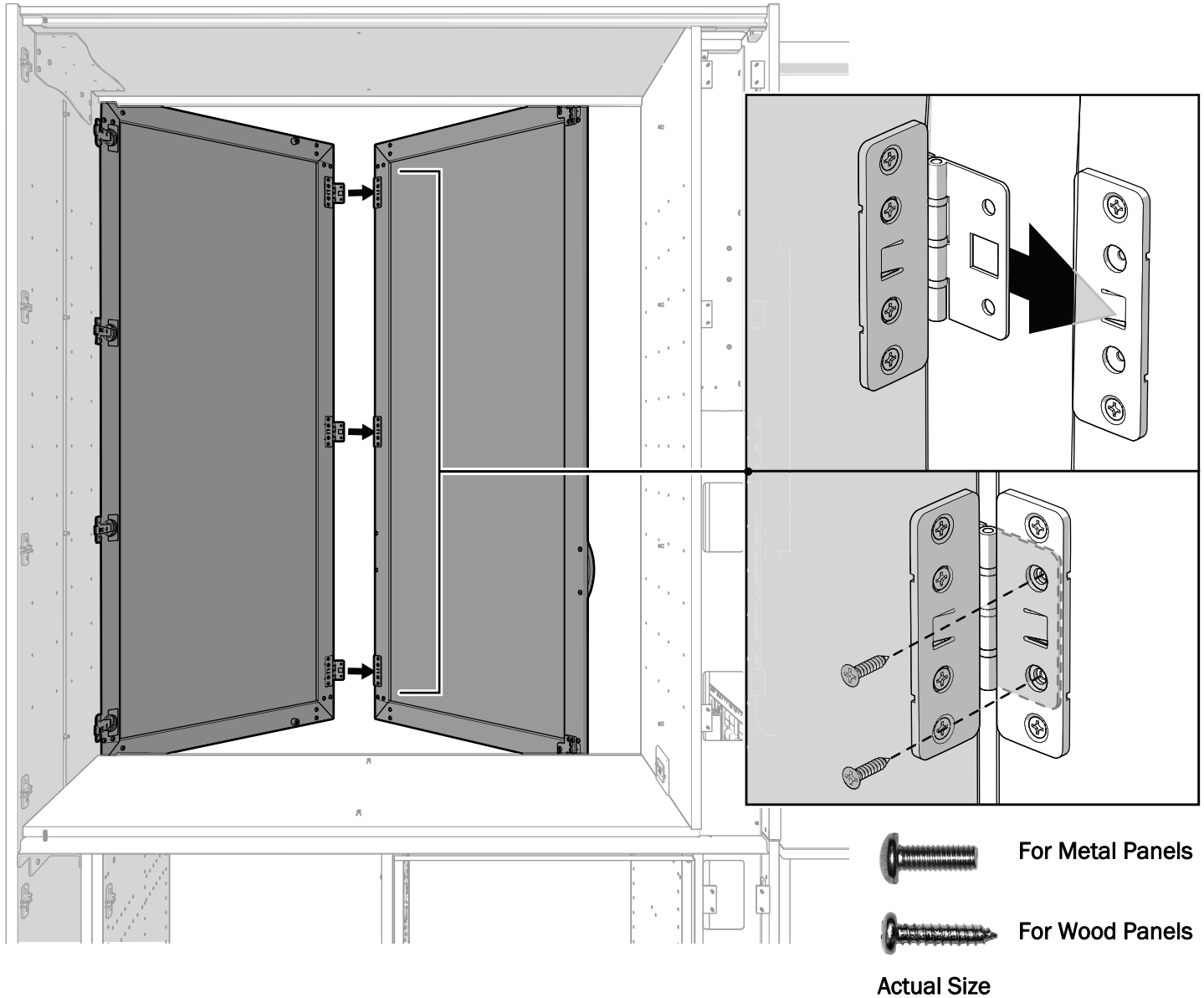
Install the Glide Panel



- 1** Install the bottom glide first, then install the top glide.



Connect the Panels

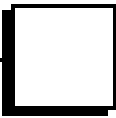


- 1** To connect the two panels, slide the three tabs into the hinge plates.

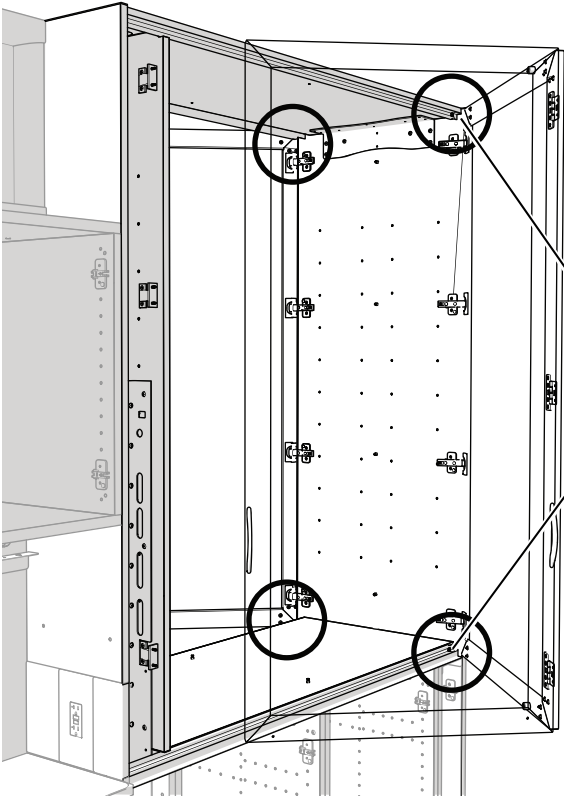


TIP Ensure all hinge tabs are seated in the slot in the hinge plates before you snap the first one in. If necessary, pry up the tab on the hinge with a standard screwdriver to detach the two pieces.

- 2** Use a Phillips head screwdriver to install two screws in the middle holes of the hinges.
- 3** Complete installing and connecting the glide panel on the other side.

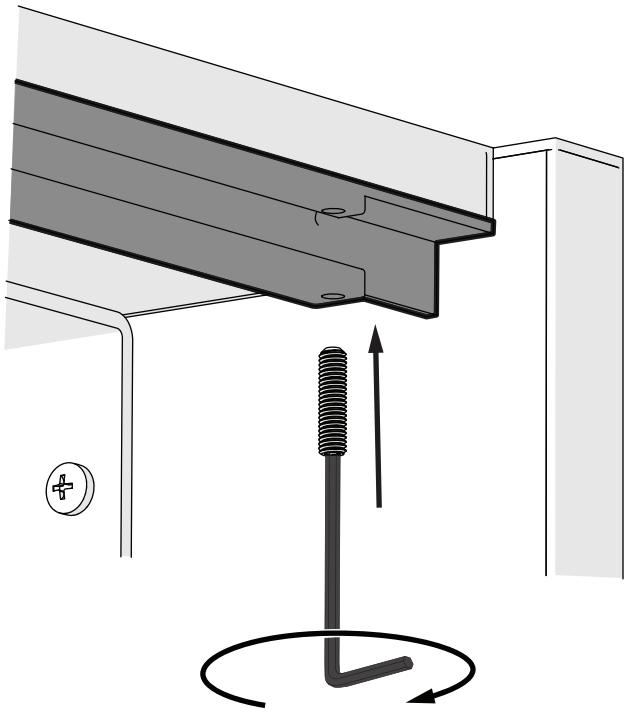


Install the Setscrews



1 Open the doors so you can access the setscrew locations.

Setscrew Locations



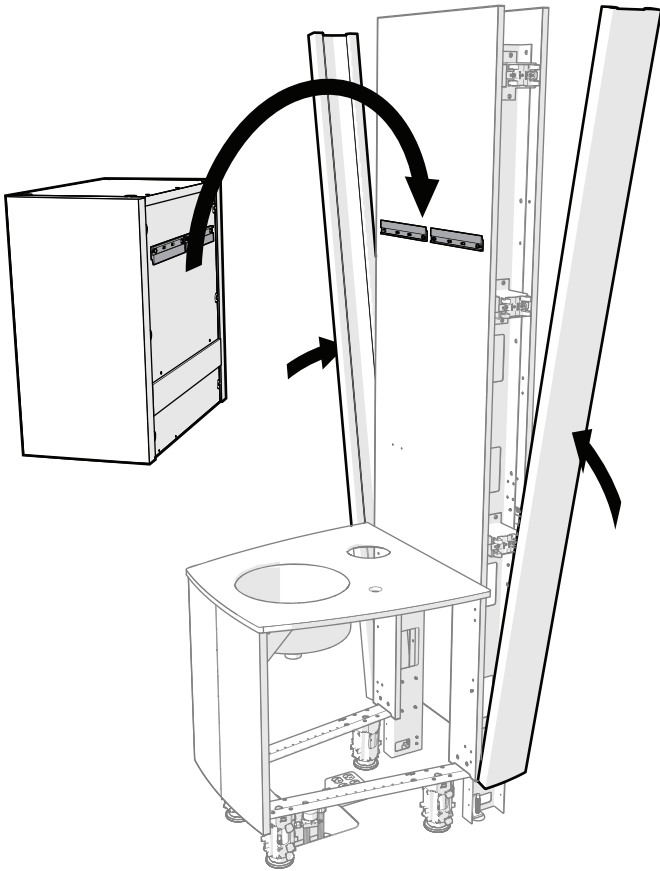
2 Use a hex key to install the four setscrews that prevent the glides from coming off the rails. The heads of the screws should be flush with the top of the rails.



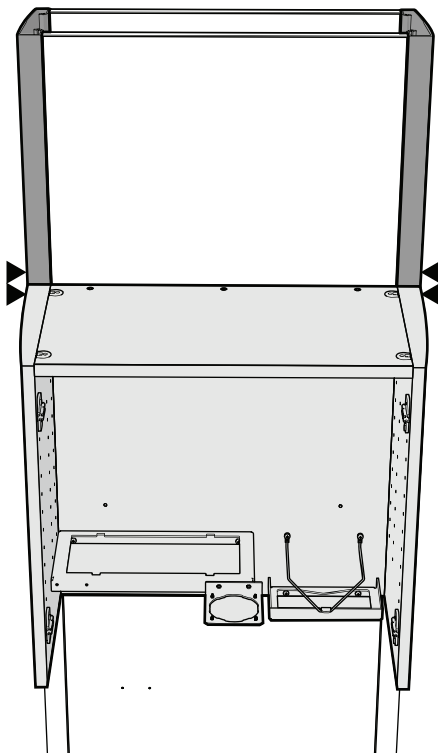
Actual Size

3 Open and close each door several times to evenly spread the lubricant in the rails.

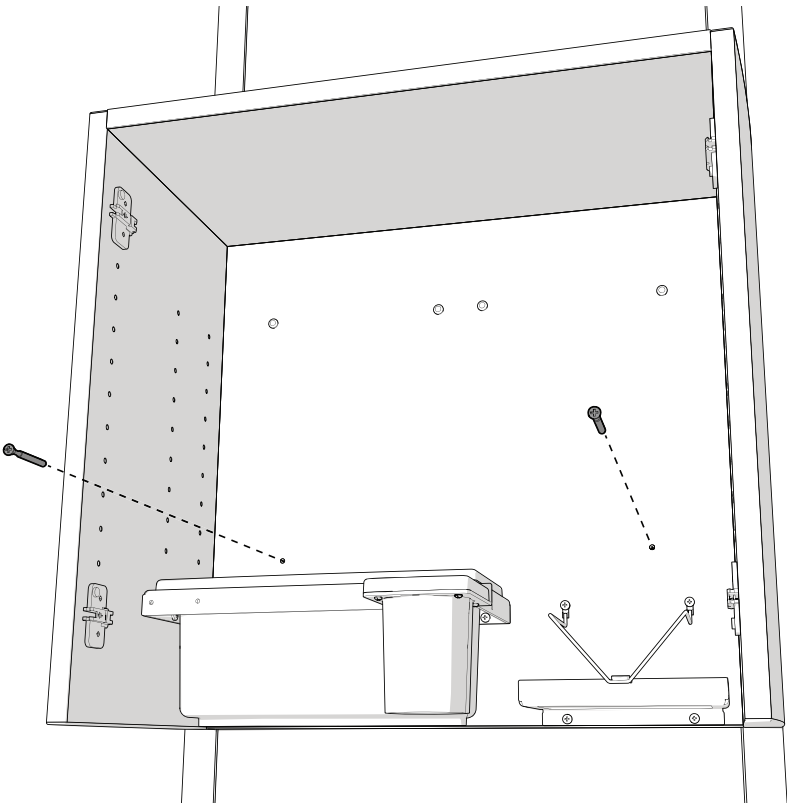
L Install the Dispenser



- 1** Install the column covers onto the support column. For instructions see, “Install the Column Covers” on page 49.
- 2** Place the dispenser on the cleat.



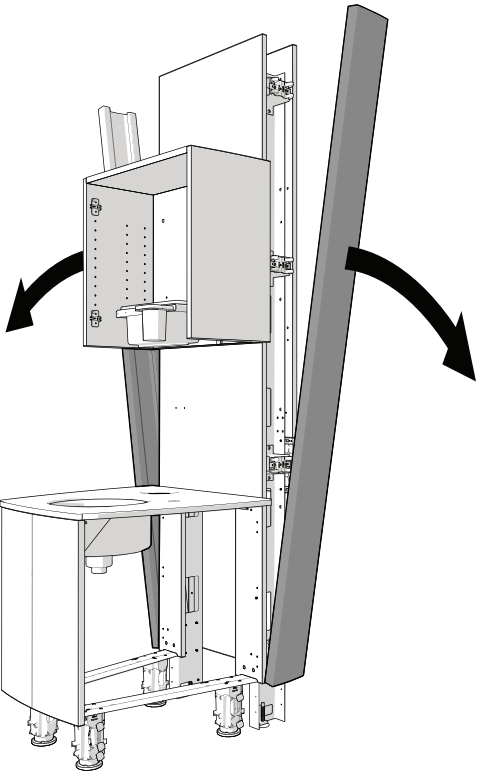
- 3** Align the dispenser's edges flush with the edges of the column cover.



4 Use two screws through the holes in the dispenser to secure the dispenser to the sink support column.



Actual Size



5 Remove the column covers.

M Install the Light or Monitor Mount

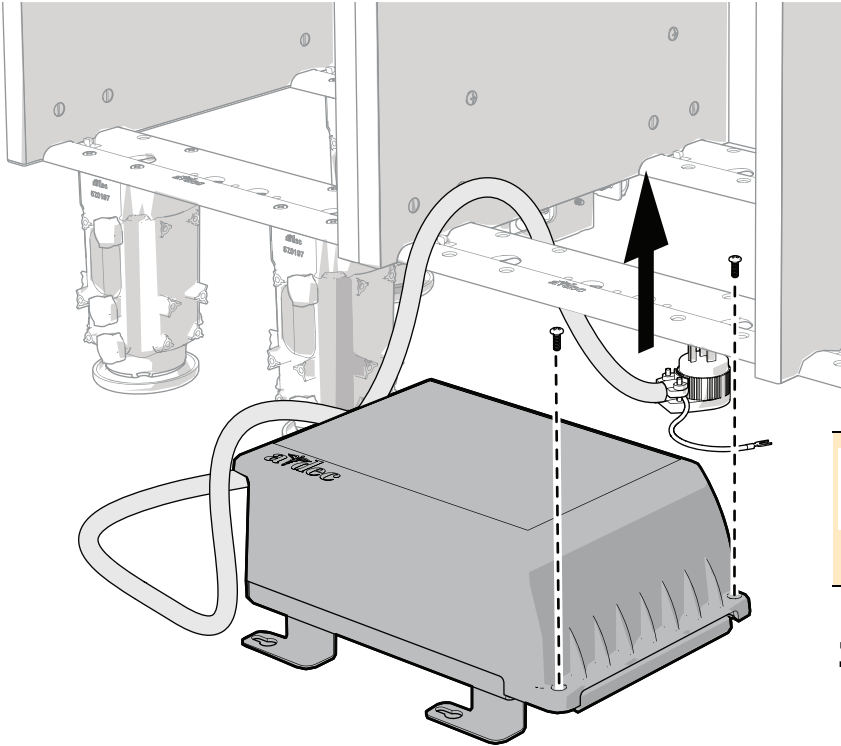
If the system includes a light or monitor mount, install it now. For installation instructions, see the installation guide that ships with the product to be installed.


Connect the Wires and Data Lines (Mid and Full configurations only)



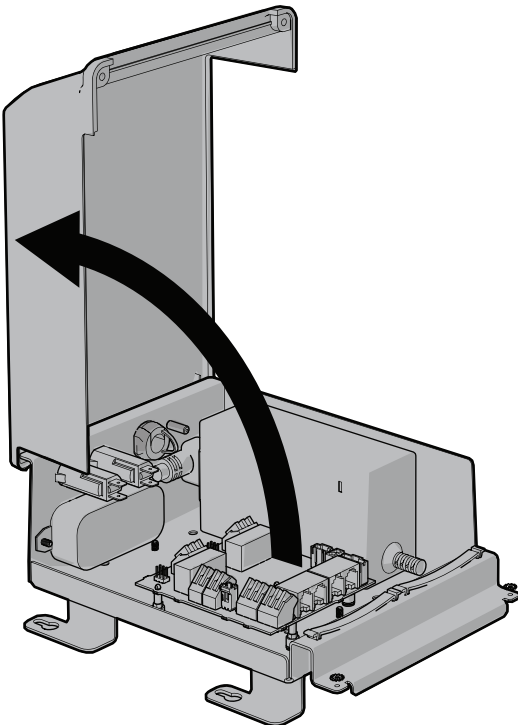
Access the Connections

The A-dec 592 includes two distribution boxes, one for each side of the cabinet's connections. Locate them on each side of the mid lower. Complete the following for each distribution box.



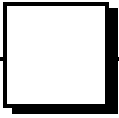
 **TIP** To provide easier access for making connections, position the distribution box outside of the mid lower next to the sink support column

1 Loosen the two screws securing the lid.

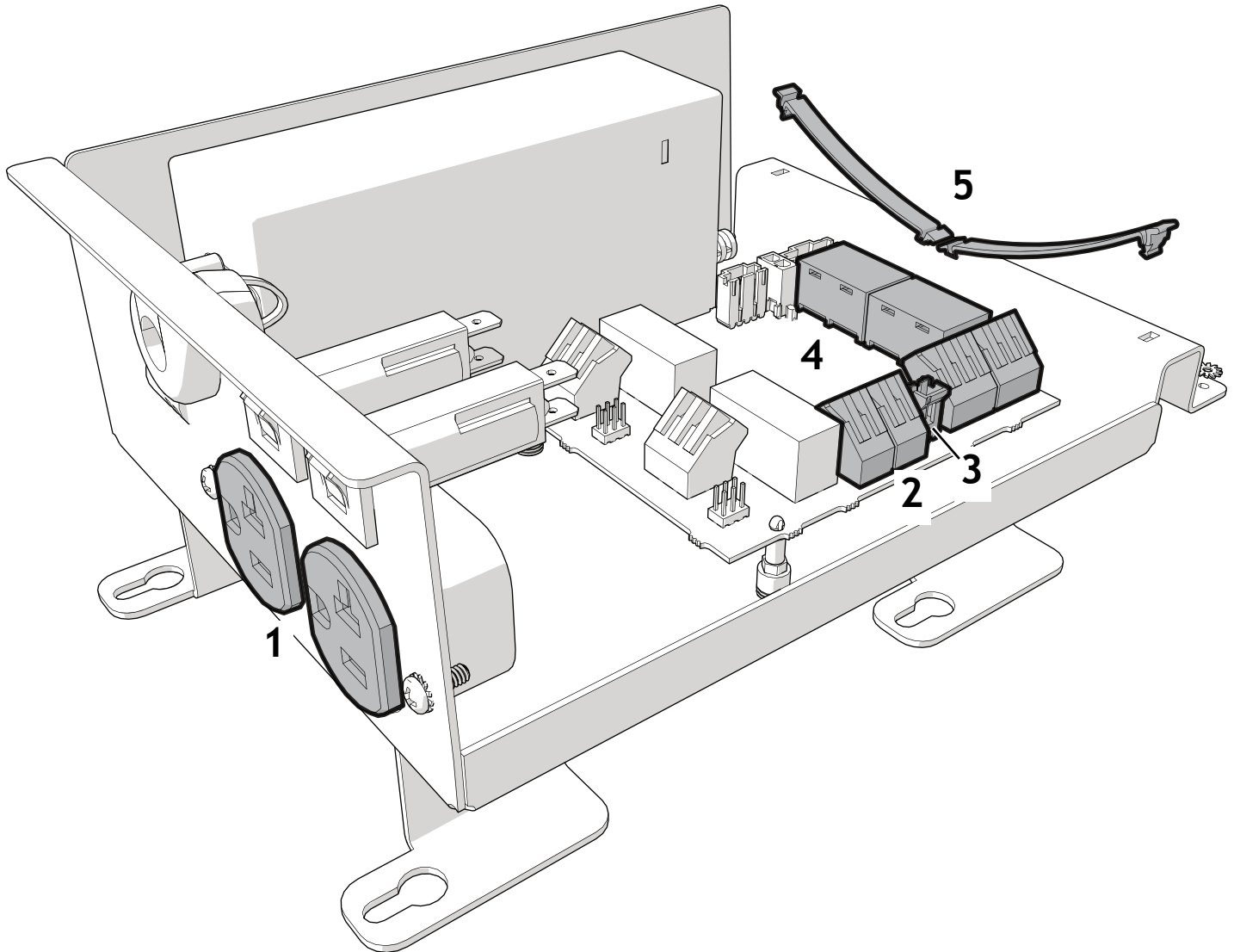


ATTENTION Circuit boards are sensitive to static electricity. Electrostatic Discharge (ESD) precautions are required when touching a circuit board or making connections to or from the circuit board. Circuit boards should be installed only by an electrician or qualified service person.

2 Remove the cover.



Connect the Wires and Data Lines:



1 (Optional) Plug in the auxiliary devices.



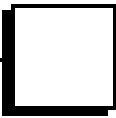
TIP The receptacles include a tamper-proof shutter to prevent unwanted articles from entering the receptacle. Apply equal pressure on each tine to slide open the shutter when inserting the plug. If you experience resistance entering the receptacle, gently rock the plug back and forth to open the shutter.

2 Connect the task light power, black to black, red to red.

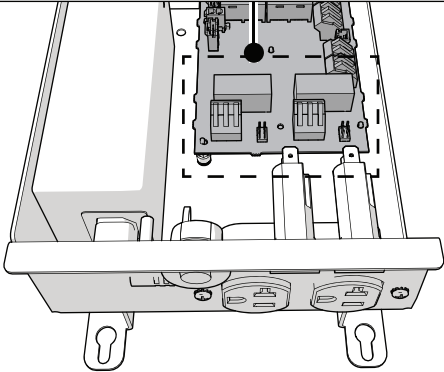
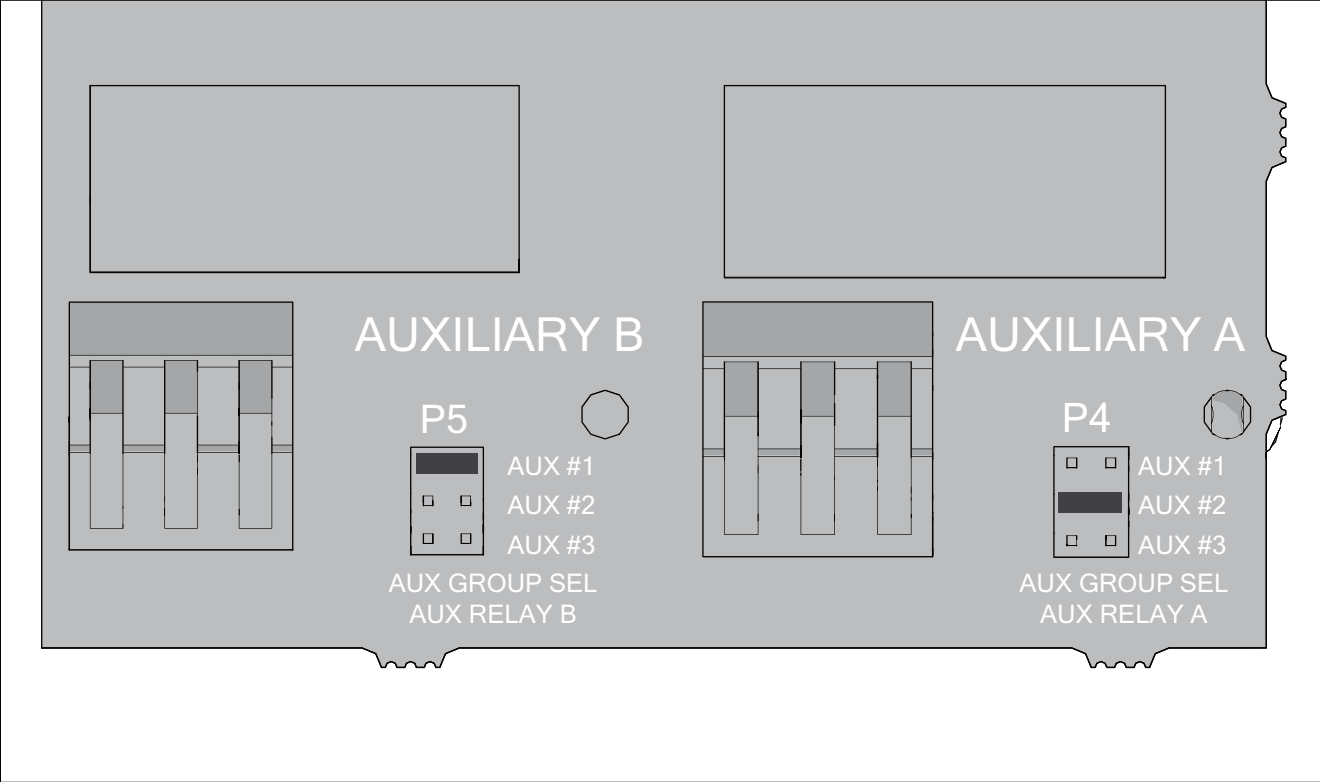
3 Connect the task light switch.

4 Plug in the data lines. It does not matter which data port the lines plug into.

5 Secure the wiring under the strain relief.



Set Up the Auxiliary Relays (optional)



Auxiliary relays are used to turn on/off devices plugged into the distribution box. They are operated from the control center and touchpads.

Jumpers specify which button on the control center and touchpad operates the power for that relay.

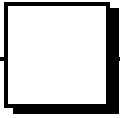
For each relay, position the jumper in one of the three numbered **Aux** positions.

If more than one relay in the same system is set to the same numbered **Aux** position, then they all turn on and off at the same time from the control center or touchpad.

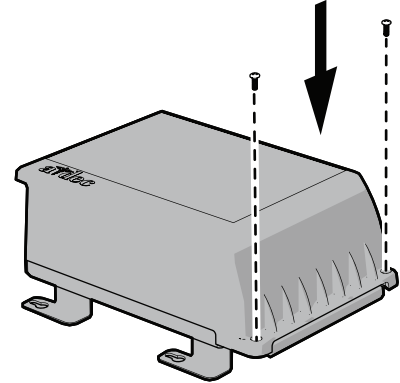
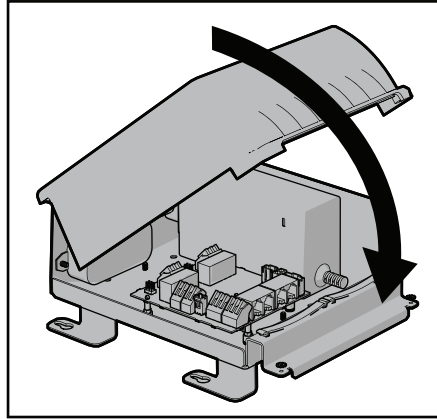
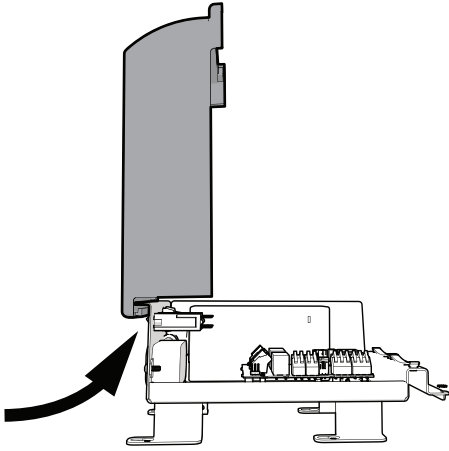


NOTE If the system does not include a control center, do not set the jumper to Aux #3. It cannot be activated without a control center.

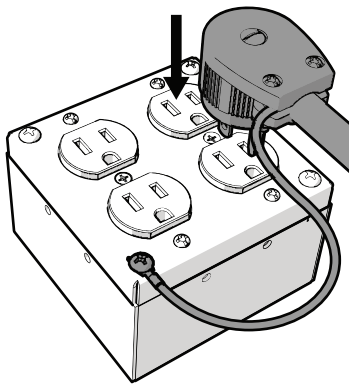
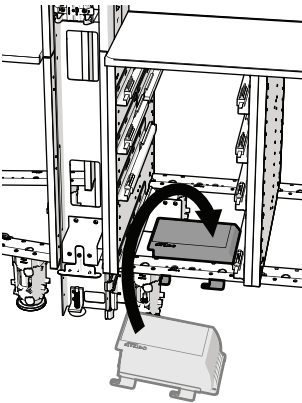
If a system without a cuspidor includes an A-dec 300 Deluxe touchpad or an A-dec 300/500 Standard touchpad, the bowl rinse button controls Aux # 1 and the cupfill button controls Aux #2.



Connect and Secure the Distribution Box

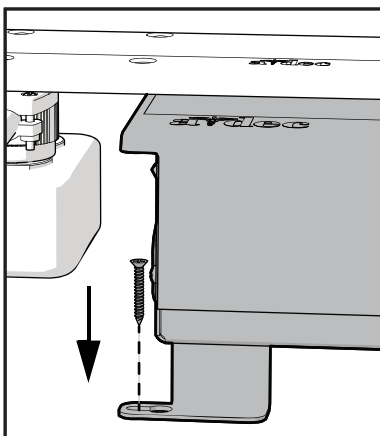


- 1 Position the cover at 90° to the distribution box and hook its end on the distribution box frame.
- 2 Rotate the cover down and use a Phillips head screwdriver to secure it to the distribution box.



CAUTION The distribution box plugs into the quad box. A licensed electrician or other qualified personnel is required to connect the quad box per local codes and regulations.

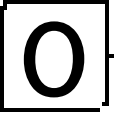
- 3 Place the distribution box inside the cabinet.
- 4 Use a Phillips head screwdriver to secure the green ground wire to the corner of the cover of the quad box.
- 5 Plug the distribution box into the quad box.



- 6 Under the cabinet, use one fastener to anchor the distribution box to the floor (the fastener is not included in the kit).

It does not matter which foot you choose to secure.

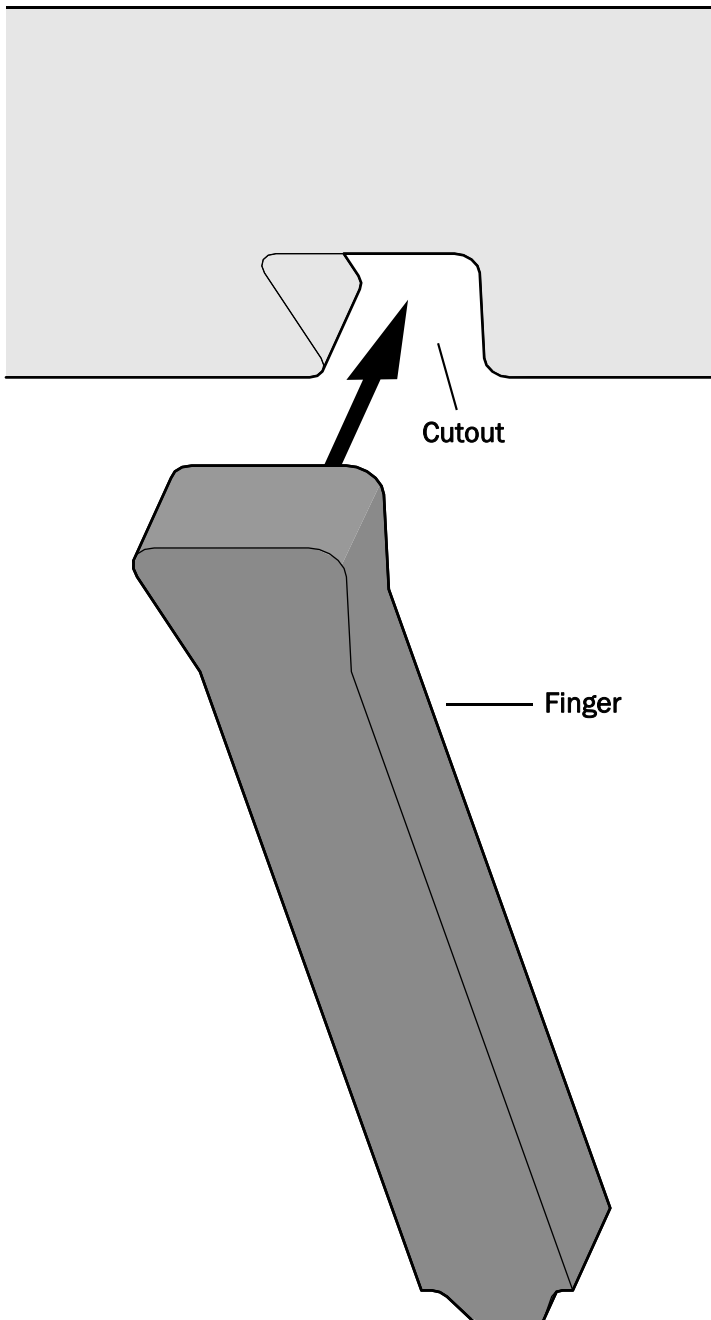
Install the Accessories



Install the Soap and Hand Sanitizer Dispensers

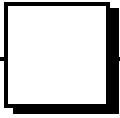
Prepare the Template

To protect it during shipping, the template ships with the fingers taped to the top of it. You must assemble the template before positioning it for the dispensers.

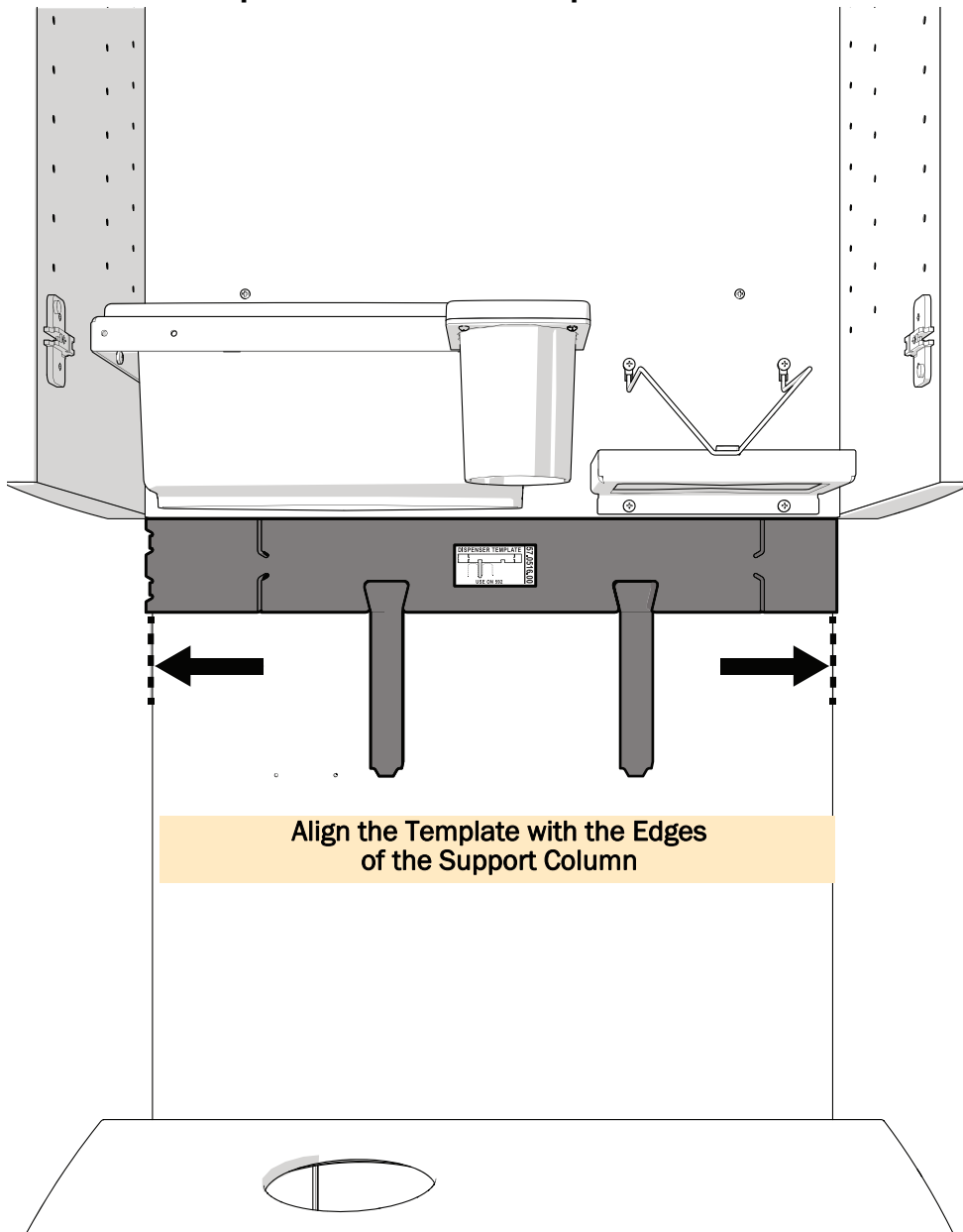


- 1** Carefully remove the tape securing the fingers to the template; then remove the fingers.

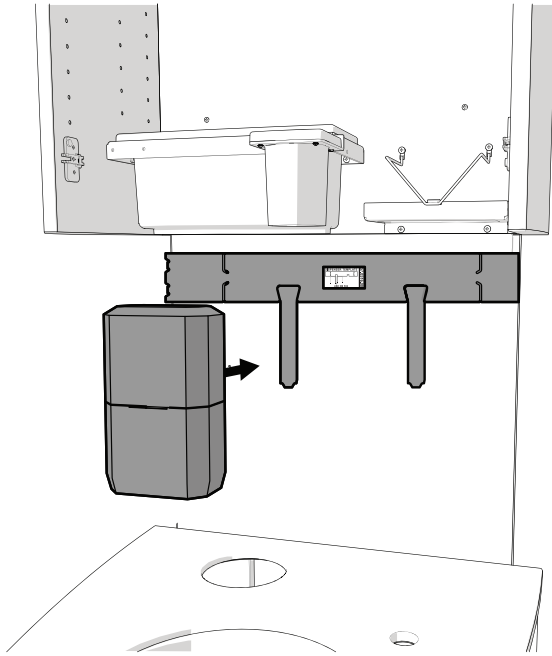
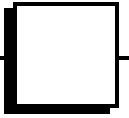
- 2** Snap the fingers into the cutouts at the bottom of the template.



Position the Template and Install the Dispensers

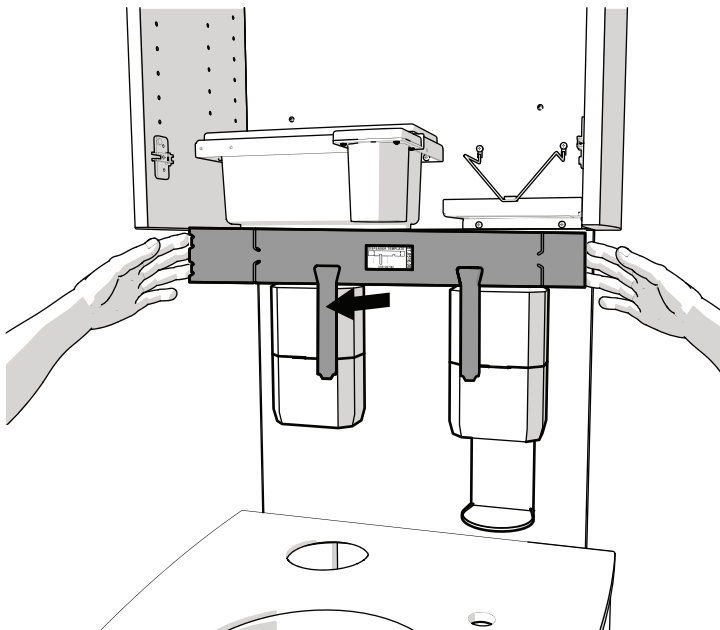


- 1** Remove the protective layer from the back of the template to expose the adhesive.
- 2** Position the template with its sides aligned with the edges of the support column and its top against the bottom of the dispenser.
- 3** Press to secure the template to the support column.



CAUTION Do not allow the dispenser to touch the support column until it is in position. The adhesive is very strong and the dispenser is not easily removed once it is attached.

- 4** Remove the protective layer from the back of the soap dispenser.
- 5** Position the soap dispenser with its top and right sides flush against the left side of the template, then secure it to the alcove. Anchor the dispenser using the screws that shipped inside it.
- 6** Remove the protective layer from the back of the hand sanitizer dispenser.
- 7** Position the hand sanitizer dispenser with its top and left sides flush against the right side of the template, then secure it to the alcove. Anchor the dispenser using the screws that shipped inside it.
- 8** To attach the drip tray, push it into the bottom of the hand sanitizer dispenser.



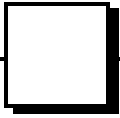
- 9** To remove the template, grasp it from its sides at the top and pull straight out.



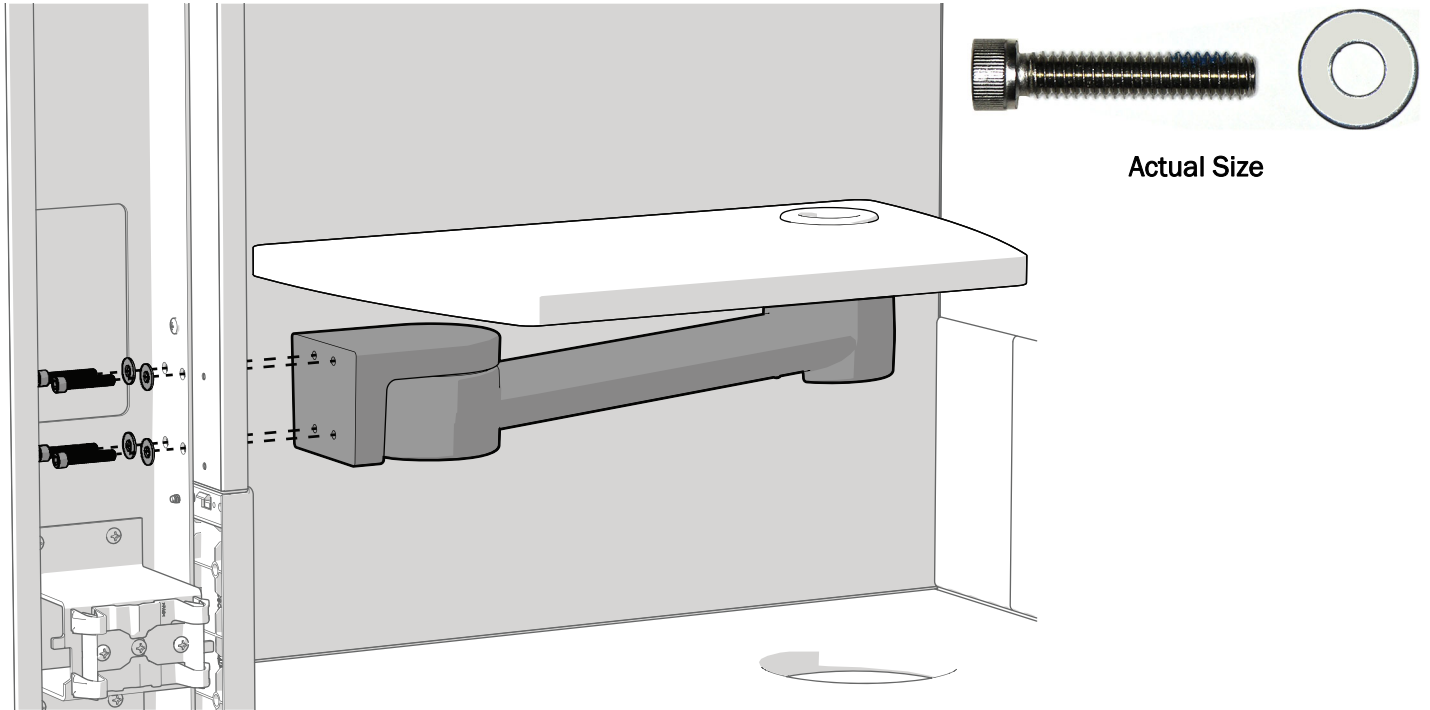
TIP Pull with more pressure on one side of the template to make it easier to remove it.

Install Faucets and Vessel Sinks

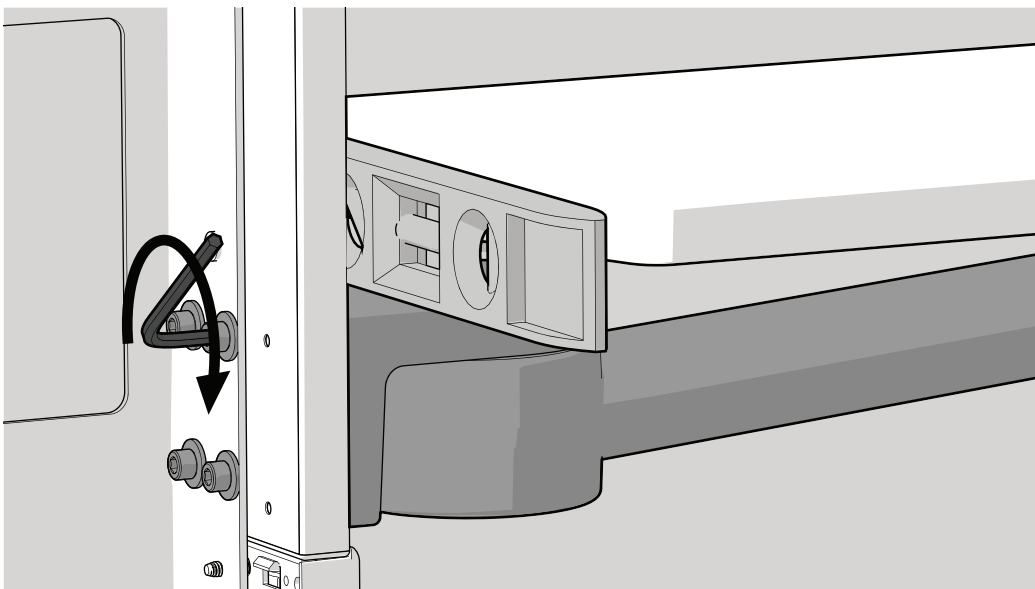
To install the faucets and vessel sinks, see the manufacturer's instructions that ship with the product.



Install the Floating Shelf (optional, Mid and Full configurations only)



- 1 Use four screws and washers to loosely install the floating shelf to the sink support column.

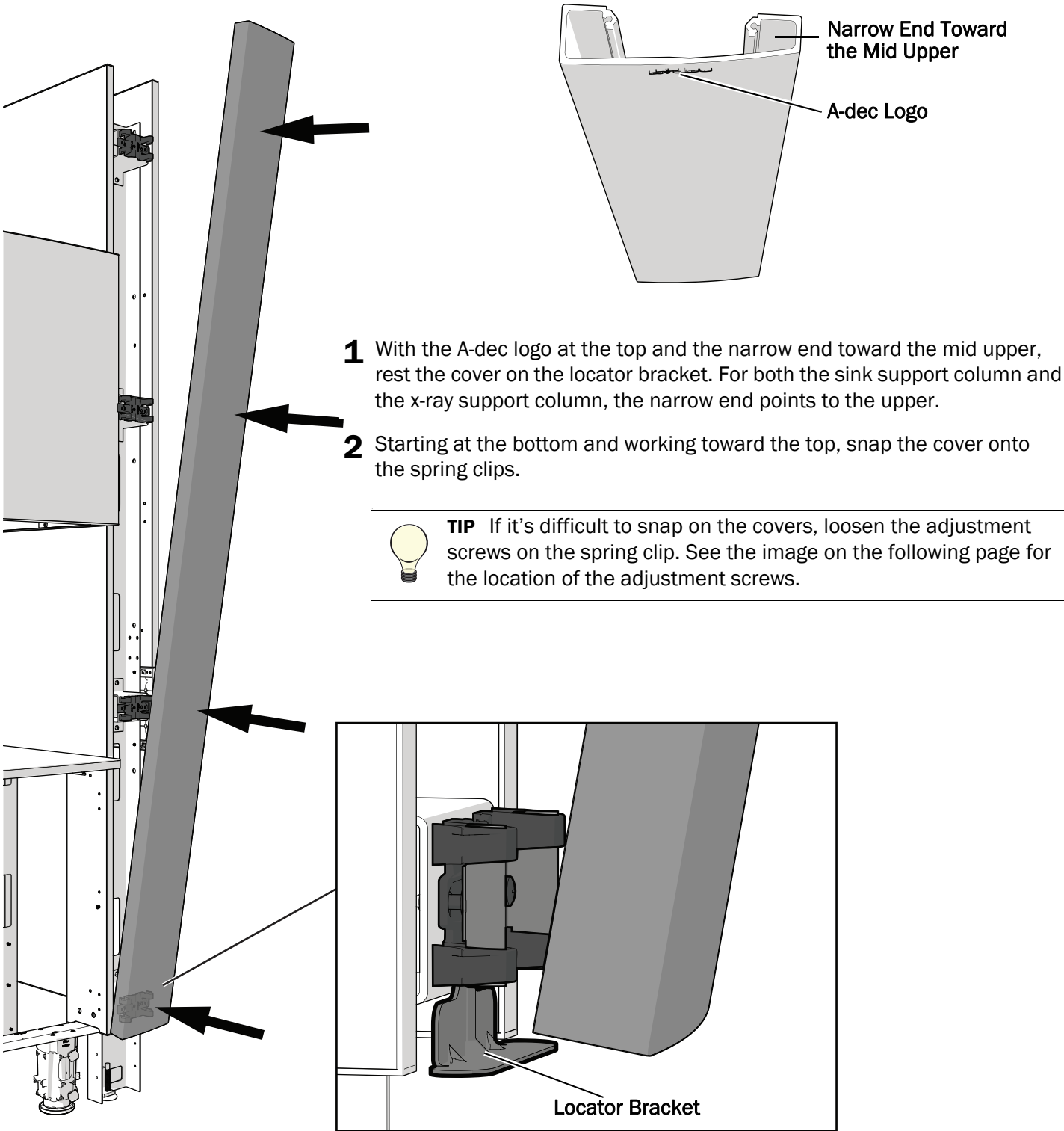


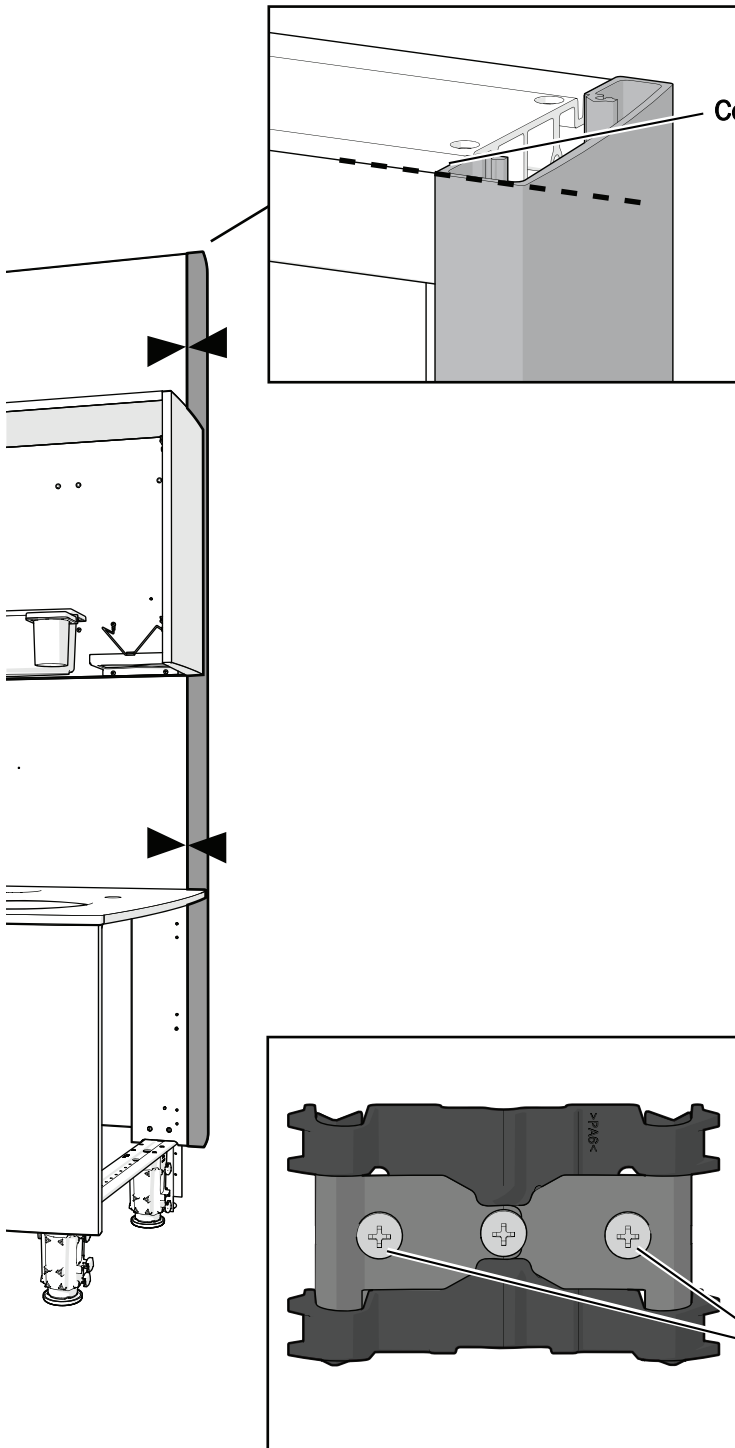
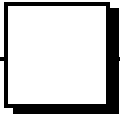
- 2 Ensure the mount is level then tightly secure the shelf.

Install the ICV (optional, Mid and Full configurations only)

If the system includes an ICV, see the installation guide that ships with the product.

Install the Column Covers





Cover is Flush With the Support Column

3 Verify that the top of the cover is flush with the top of the support column.

4 Make sure the cover is flush against the support column.
To adjust the size of the gap between the cover and the cabinet, remove the cover and adjust the two outside screws on each spring clip.



NOTE Adjust both screws by equal amounts or the cover may shift side to side.

Adjustment Screws

Adjust the Drawer Faces and Doors

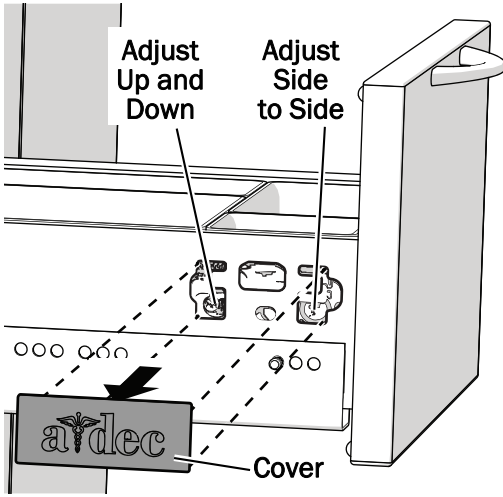


Adjust the Drawer Faces (Mid and Full configurations only)

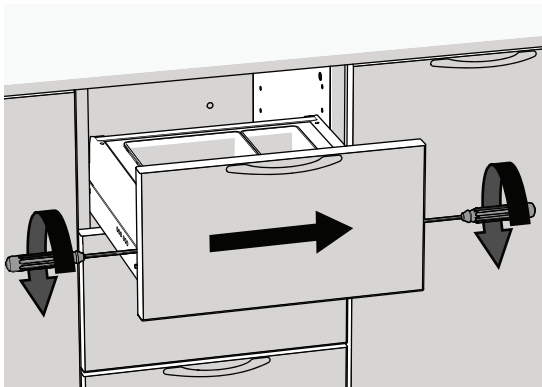
Adjust the face of the drawers to align them properly.



CAUTION To avoid damaging the screws, use a #2 Pozidriv screwdriver to adjust the screws that move the drawer faces.



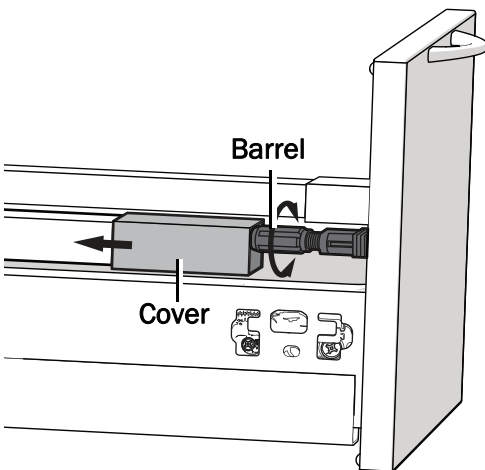
- 1** Remove the covers on both sides of the drawer.
- 2** **Up and Down:** On both sides, adjust the screws closest to the back of the drawer.



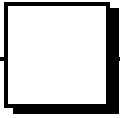
- 3** **Side to Side:** On both sides, adjust the screws closest to the face of the drawer. Make sure to move both screws in equal increments. The direction shown moves the drawer face to the right.



TIP Use two screwdrivers at the same time to move the face more easily.



- 4** **Front to Back Tilt (Gallery Rails only)** - Slide the covers and rotate the barrels.



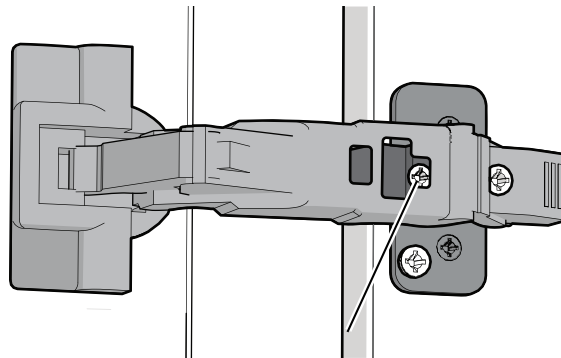
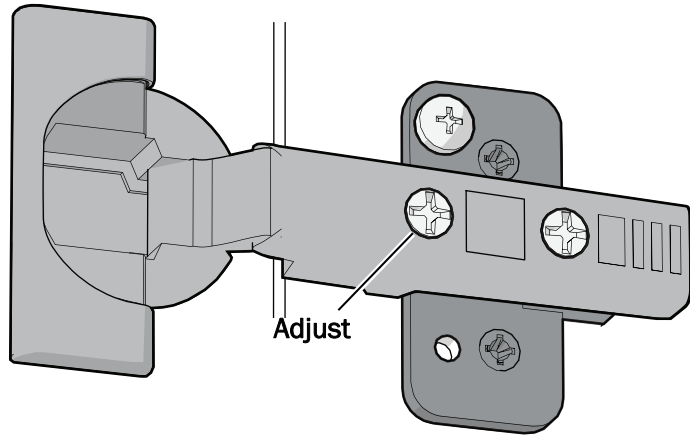
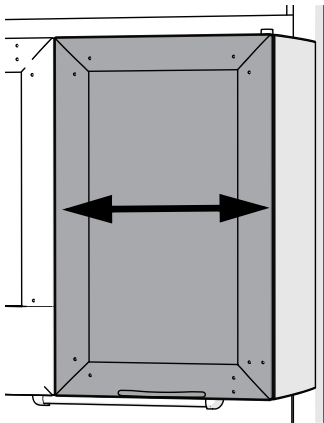
Adjust the Door and Panel Hinges

Adjust the door hinges to align the doors properly.

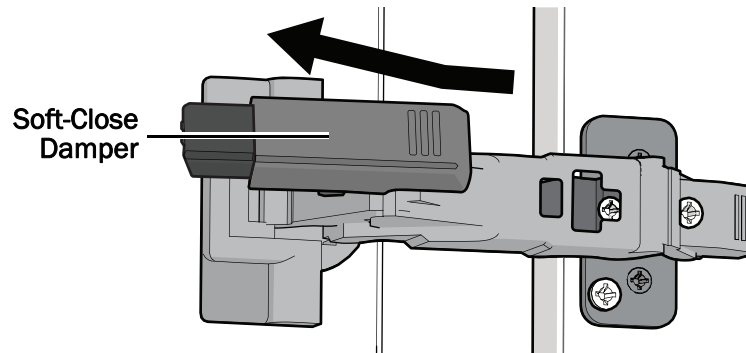


CAUTION To avoid damaging the screws, use a #2 Pozidriv screwdriver to adjust the door hinge screws.

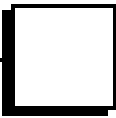
Side to Side



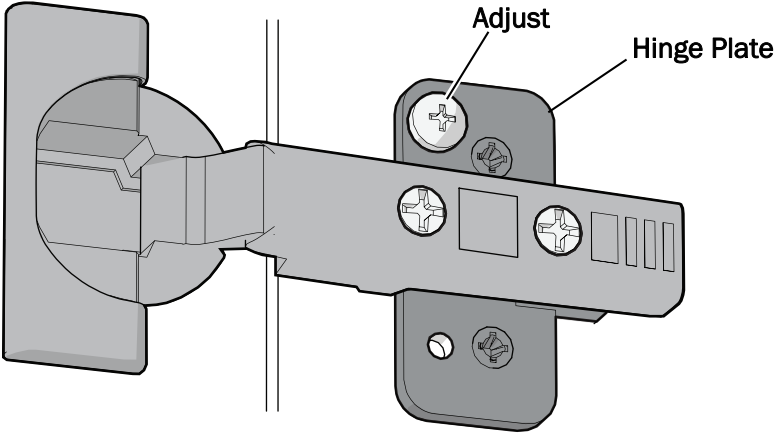
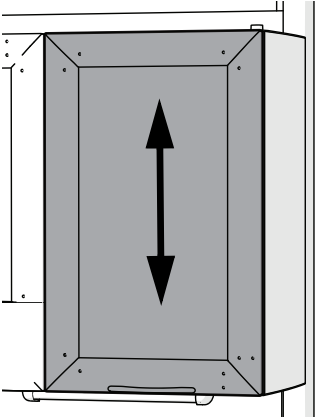
For 155° hinges, close the door slightly for better access to the screw.



NOTE For 155° hinges with soft-close dampeners, remove the dampener to access the screw.

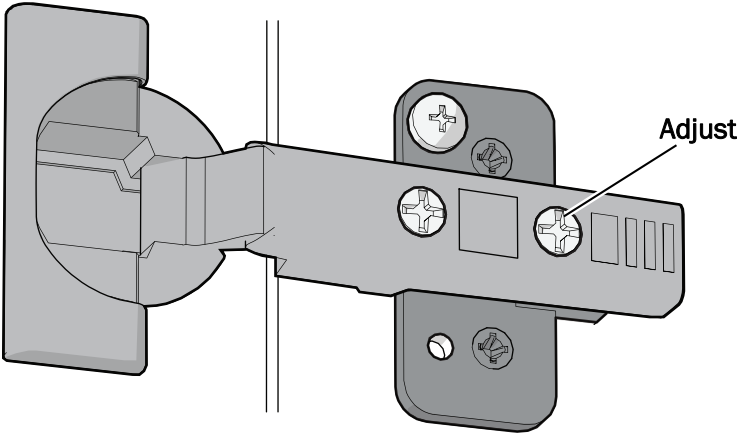
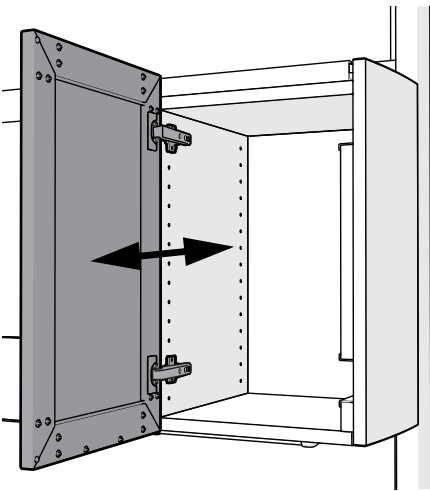


Up and Down



NOTE The screw on the hinge plate may be at the top or bottom, depending on the door configuration.

Back to Front



NOTE When the equipment end panels are properly adjusted, they should open easily and smoothly, without any drag or chatter. Verify the cabinet is level to make the panel adjustments easier.

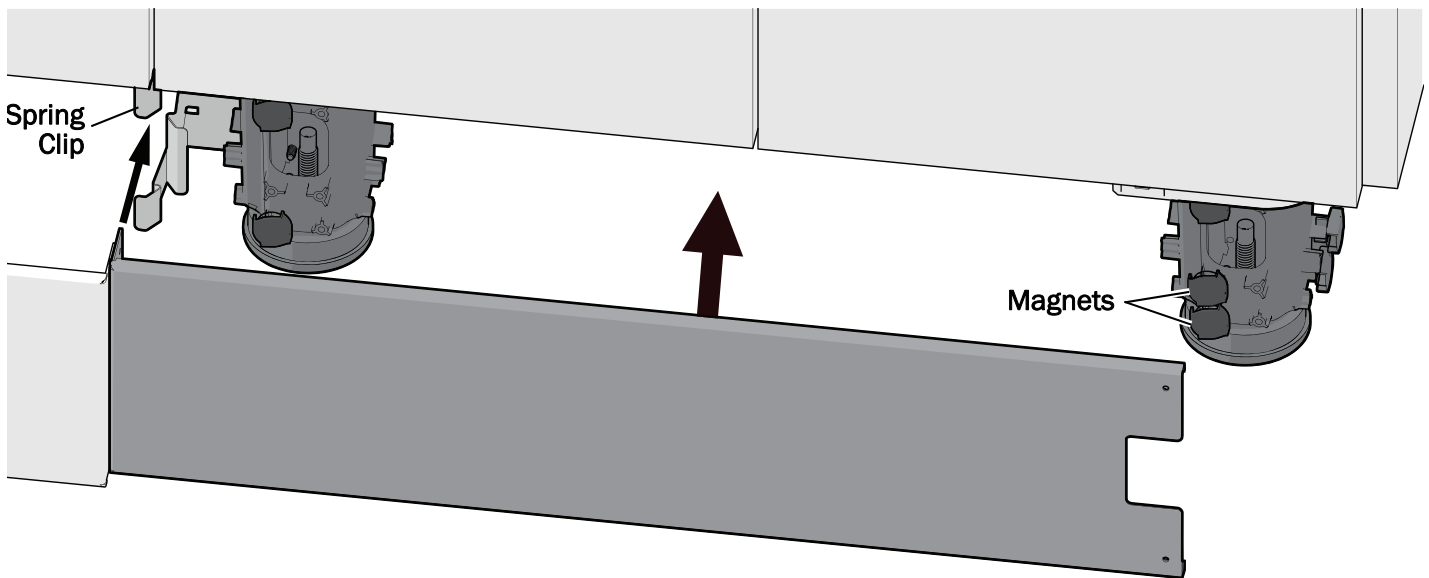
R Install the Faucet Foot Pedals and Base Covers

Install the Faucet Foot Pedals

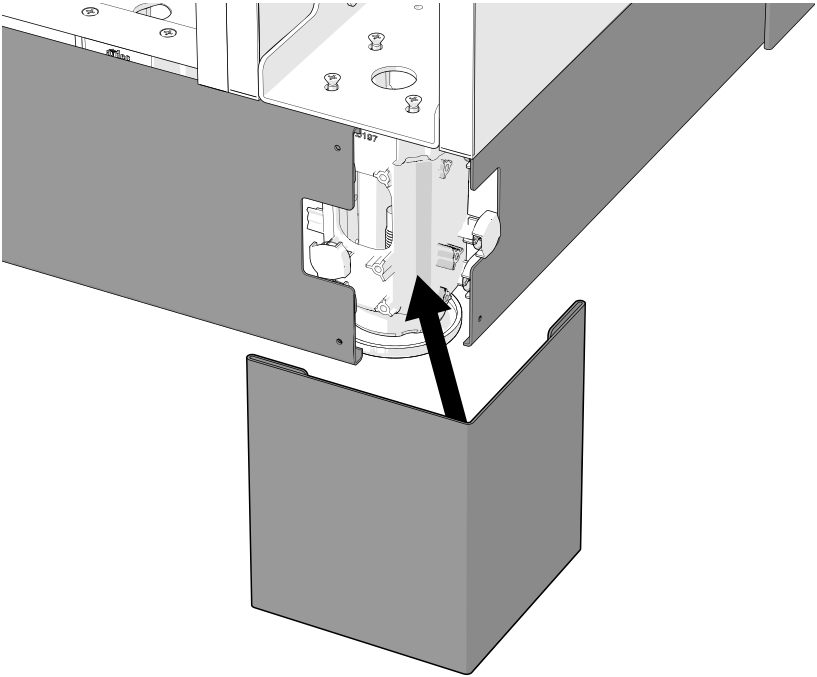
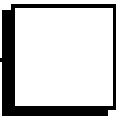
If your system includes a faucet foot pedal, see the *Faucet Foot Pedal on A-dec Inspire Dental Furniture Installation Guide* (86.0936.00) that shipped in the kit.

Install the Base Covers

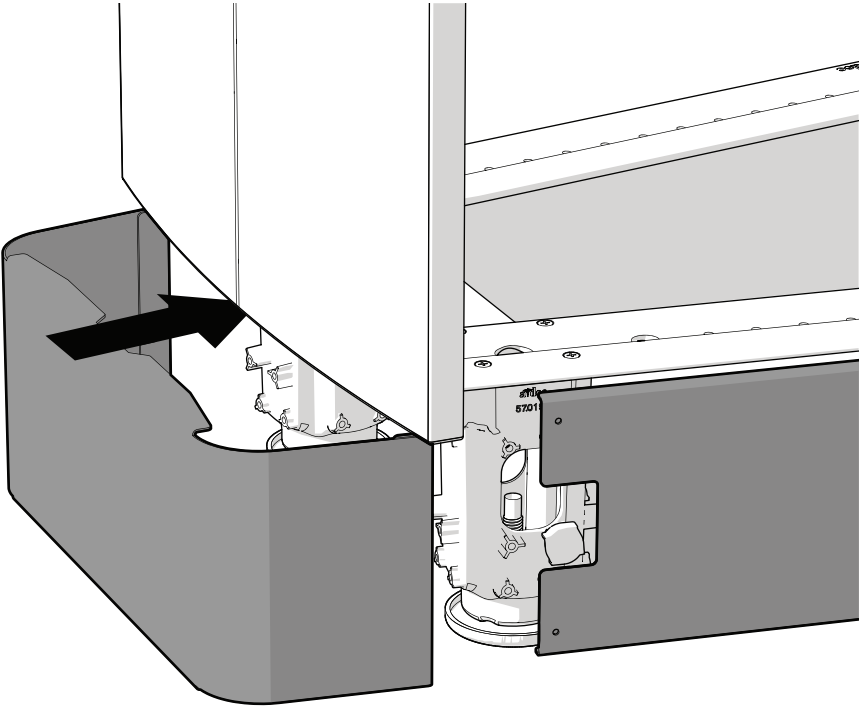
Complete the following instructions for the base covers not secured by a foot pedal.



- 1** Place the base covers into position. Depending on their location, they attach onto magnets or are inserted into spring clips.



2 (Mid and Full configurations Only) Place the corner base covers into position.



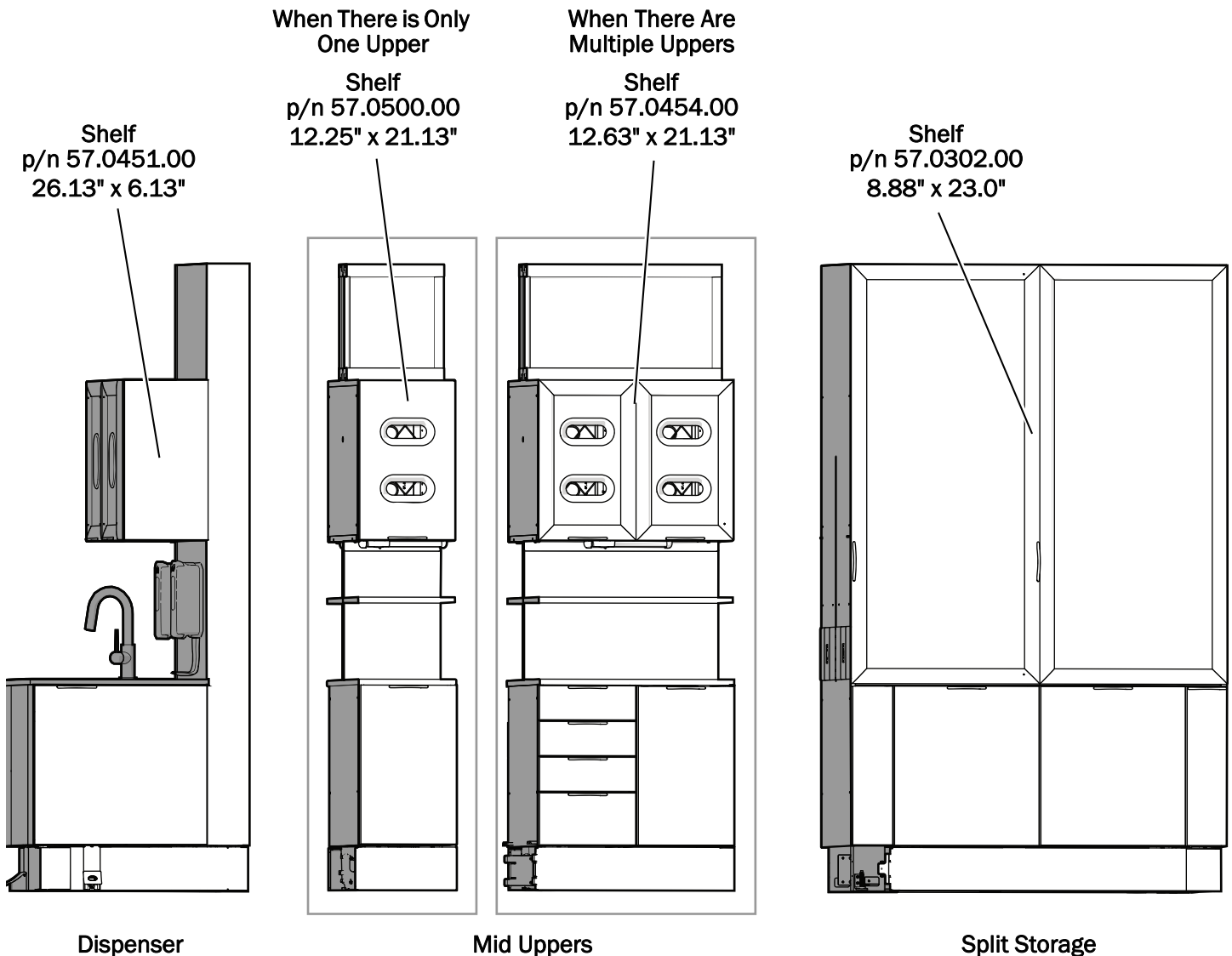
3 Place the rounded base cover on the front of the sink.

S Complete the Installation

Finish the Installation

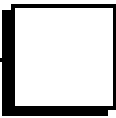
To complete the installation:

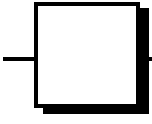
- Completely remove the protective film from the column covers.
- Install the hinge covers.
- Reinstall the false bottoms.
- Install glass shelves according to the following locations.

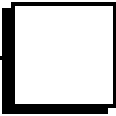


Test the System

After you have completed the installation of the A-dec Inspire 592 Center Console, use the *A-dec Dental Furniture Installation Checklist* (p/n 86.0624.00) to test the system. The checklist ships with the product.









Regulatory Information and Warranty

For required regulatory information and the A-dec warranty, see the *Regulatory Information, Specifications, and Warranty* document (p/n 86.0221.00) available in the Resource Center at www.a-dec.com.



For quick access to this document online, scan, tap, or click this QR code, which points to a-dec.com/regulatory-guide.



A-dec Headquarters

2601 Crestview Drive
Newberg, OR 97132 USA
Tel: 1.800.547.1883 Within USA/CAN
Tel: +1.503.538.7478 Outside USA/CAN
www.a-dec.com

A-dec, Inc. makes no warranty of any kind with regard to the content in this document including, but not limited to, the implied warranties of merchantability and fitness for a particular purpose.

