



A-dec Performer Monitor Mount on an A-dec Performer, 571, 572, 571L, or 572L Dental Light

INSTALLATION GUIDE

Contents

Before You Begin	2
Install the Monitor Mount ...	3
Adjust the System	14
Test the System	15
Install the Monitor Mount	
Covers	16
Final Steps	17
Regulatory Information	20



A-dec Performer Chair with Monitor Mounted on
Back-Mount Dental Light

Before You Begin

Check with local building and code authorities about installation requirements. They differ from state to state and internationally.



NOTE Information that is critical to a successful and safe installation is shaded like this note throughout the guide.



CAUTION When removing or replacing covers, take care not to damage any wiring or tubing. Verify that the covers are secure after replacing them.

The A-dec Performer monitor mount can be installed in two locations:

- Radius[®]-style dental light arm
- Support center intermediate post

The procedure for installing the monitor mount is the same for both installation locations, except for routing the cables.



READ THIS! The rigid arm or intermediate post must be installed before you begin this procedure. For more information, see the installation guide that came with the chair.

Required Part

To install the Performer monitor mount, you will need to supply a monitor cable. For ease of installation, A-dec recommends an HDMI cable, at least 15 ft (4.5 m) long. Adaptors may be required to connect the cable to the monitor or PC.



CAUTION If you choose to use a power cord other than the supplied power cord (for example, a longer cord), use an SJT type cable when connecting power to the monitor. SJT cables are more durable than the SVT cables typically provided by monitor manufacturers and they are required when routed through moving arms.

- Do not use a monitor that weighs more than 20 lb.
- Use a monitor that fits a 75 mm or 100 mm VESA pattern mount.
- Always follow local building and electrical codes.

Recommended Tools

- Hex key set
- 15/16" socket and ratchets (2)
- Diagonal cutters
- 3/16" T-handle hex key



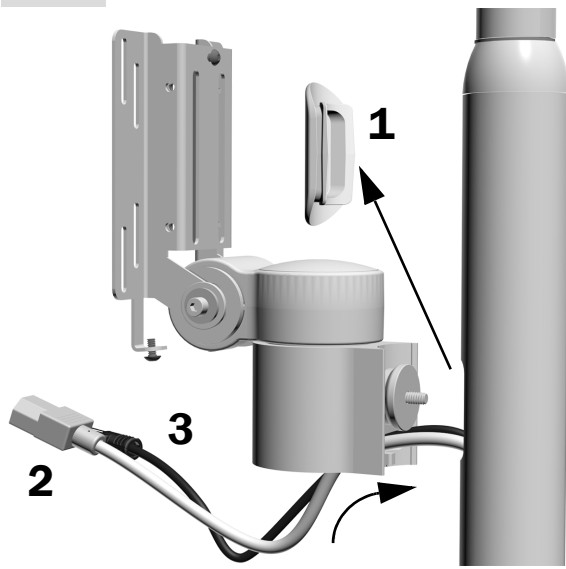
TIP We recommend that the monitor to be installed is available when you are installing the monitor mount to ensure proper installation.

Install the Monitor Mount

Recommended Tools

- Diagonal cutters
- 3/16" T-handle hex key

Task 1.



1 Remove the hole plug from the post.

2 Route the power cord into the post and out the bottom of the post.



NOTE Leave sufficient cable hanging out the top of the post to connect to the monitor.

3 Route the HDMI cable.



CAUTION Do not pull the cables fully tight or they may be damaged.

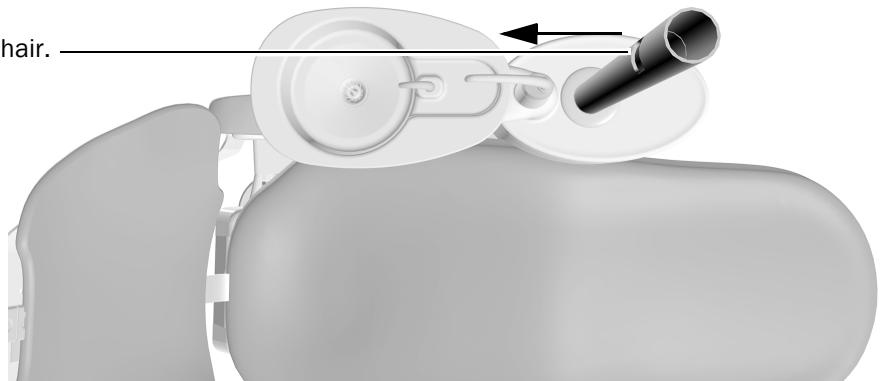


CAUTION Failure to provide range of motion for the cables can lead to product damage.



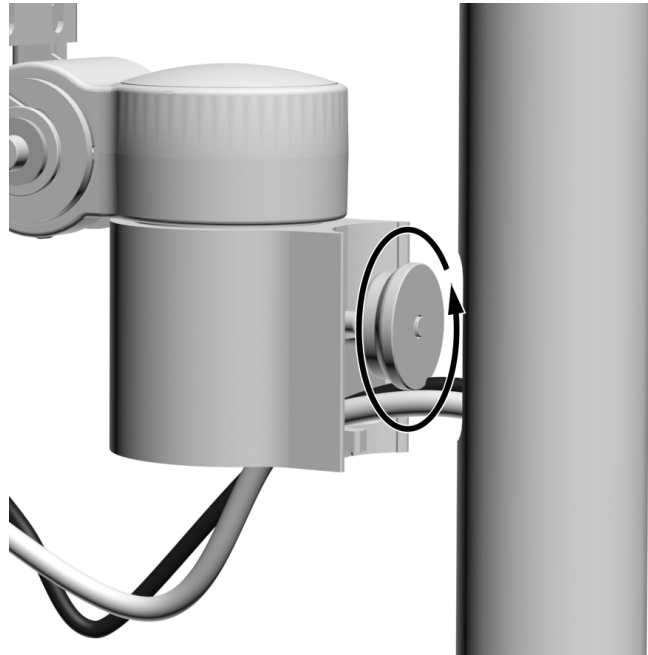
NOTE When installing on an intermediate post (used on the support center), position the hole in the post so that it faces toward the head of the chair.

Face the hole toward the head of the chair.

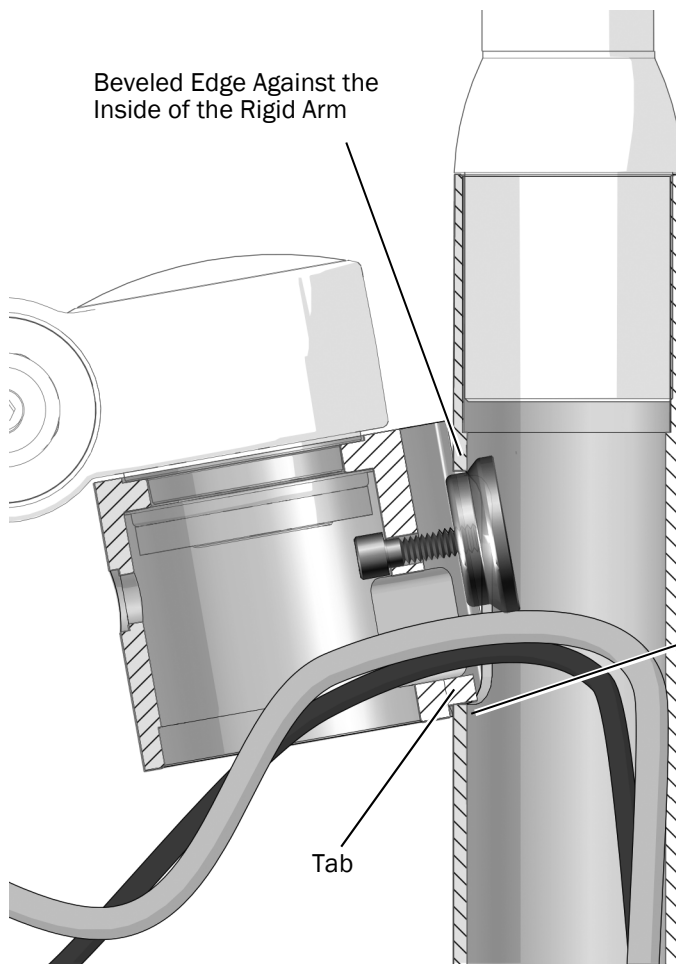


Task 2.

- 1** Unscrew the clamping nut enough so that the whole nut can go inside of the rigid arm.



Task 3.



- 1** Insert the clamping nut into the hole in the light rigid arm.

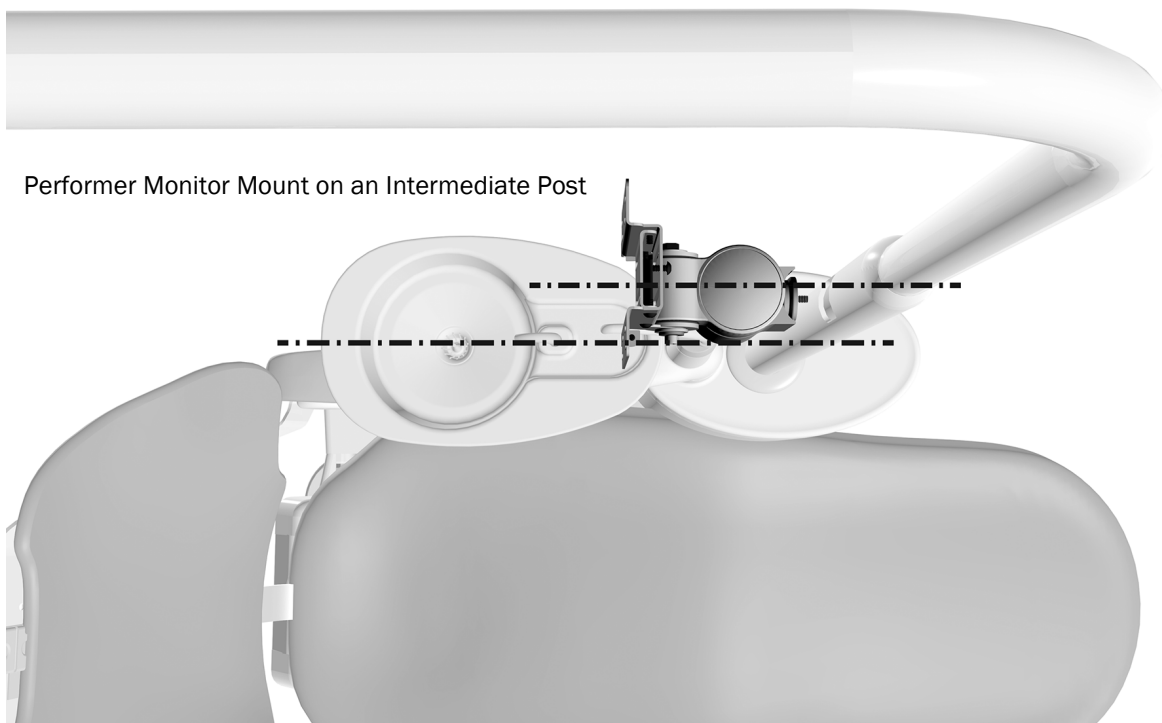
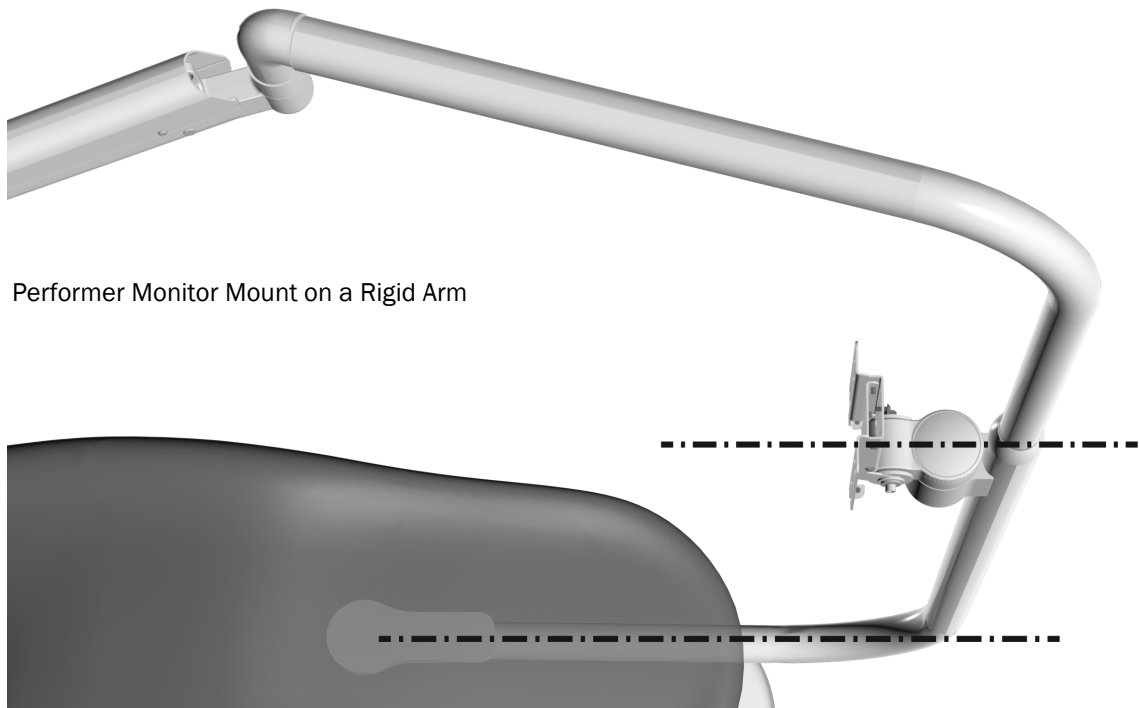
- 2** Slide the monitor mount down until it rests with its tab on the bottom lip of the hole.

- 3** Rest the beveled edge of the clamping nut against the inside of the rigid arm.

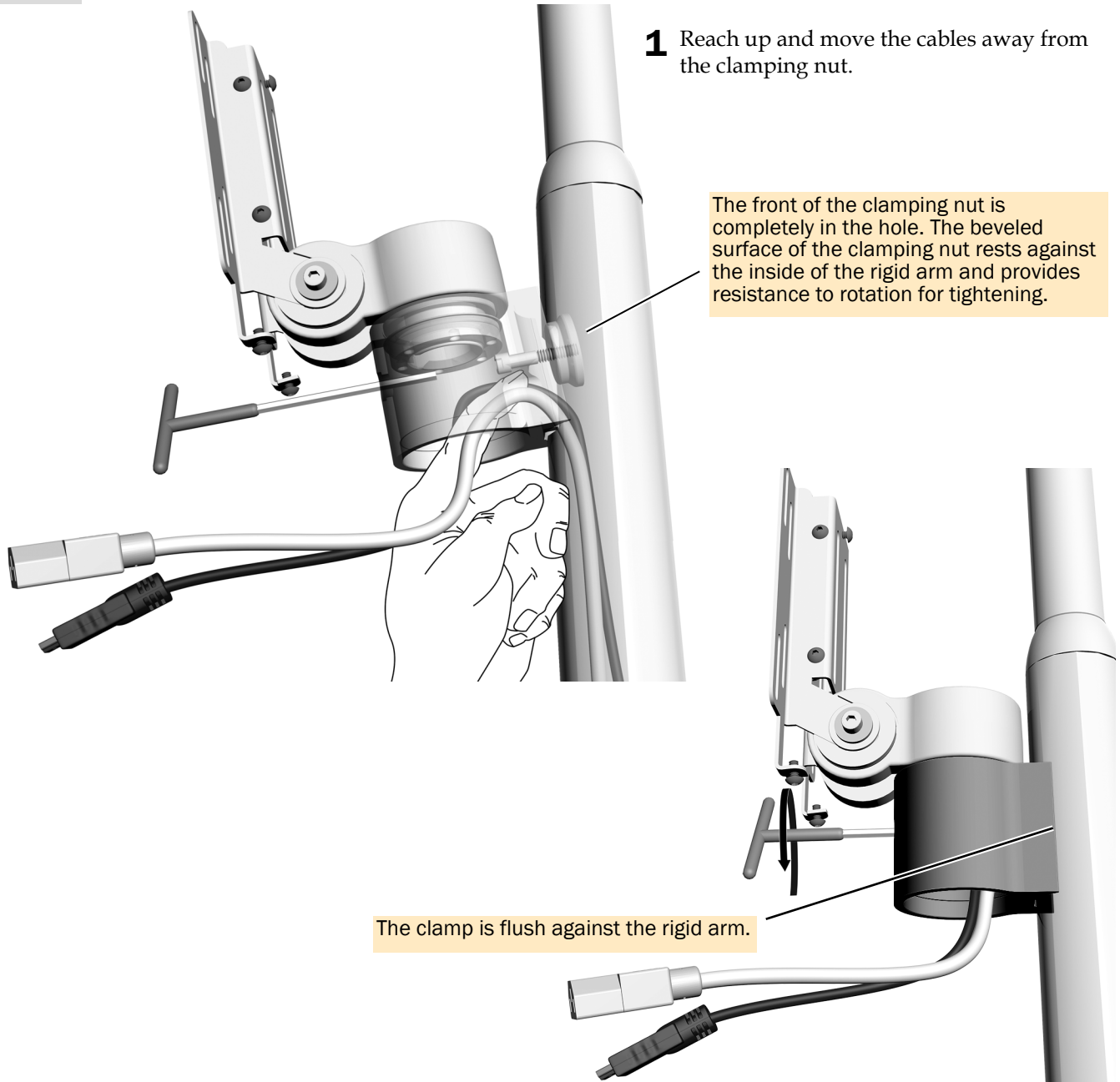
- 4** Let the monitor mount hang so that its weight provides tension on the clamping nut.

Task 4.

- 1 With the beveled edge of the clamping nut against the inside of the rigid arm, align the mount.
 - For a rigid arm installation, align the mount with the lower section of the rigid arm.
 - On a support center post, align the mount with the cuspidor.



Task 5.



1 Reach up and move the cables away from the clamping nut.

The front of the clamping nut is completely in the hole. The beveled surface of the clamping nut rests against the inside of the rigid arm and provides resistance to rotation for tightening.

The clamp is flush against the rigid arm.

2 While the weight of the mount maintains tension on the clamping nut, use a 3/16" T-handle hex key to draw the clamp to the rigid arm. Securely tighten the clamp against the rigid arm.

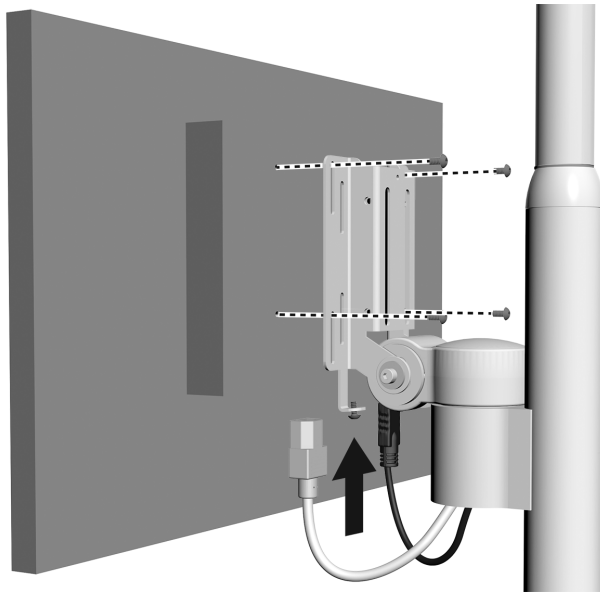


NOTE Tension must be maintained when securing the monitor mount to provide friction between the clamping nut and rigid arm while tightening the securing screw.



NOTE When the monitor mount is properly secured, the clamp is flush against the rigid arm with no gap and is aligned with the lower section of the rigid arm (or with the water bottle support for installations on an intermediate post on a support center).

Task 6.



1 Position the monitor on the bracket.

2 Secure the monitor to the mount.



NOTE If the system includes an A-dec monitor mount handle, install it now before completing the rest of these instructions.

3 Plug in the cables.



NOTE For installing monitors with a recessed mounting area, use the adaptor plate included with the kit.

Task 1.

Turn off the power to the system.



DANGER Failure to turn off the power before you begin this procedure can lead to electrical shock.



WARNING Failure to turn off the power before you begin this procedure can lead to product damage and result in serious injury or death.



CAUTION Circuit boards are sensitive to static electricity. Electrostatic Discharge (ESD) precautions are required when touching a circuit board or making connections to or from the circuit board. Circuit boards should be installed only by an electrician or qualified service person.

Task 2.

Complete the procedure for the system's configuration:



CAUTION Do not pull the cables fully tight or they may be damaged.

Next Step If you are installing the monitor mount on a Radius rigid arm, continue with the procedure "Route the Cables from a Rigid Arm to the Floor Box" on page 8.

If you are installing the monitor mount on a dental light mounted on the support center, continue with the procedure "Route the Cables from a Support Center to the Floor Box" on page 11.

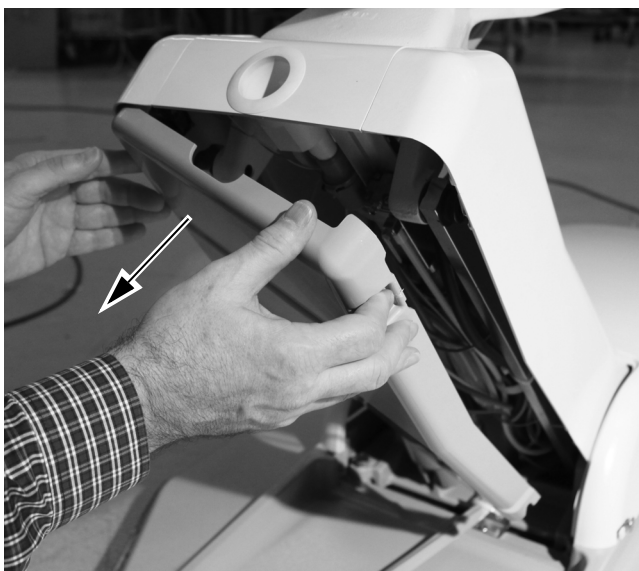
Route the Cables from a Rigid Arm to the Floor Box

Recommended Tools

- 3/16" hex key
- Diagonal cutters

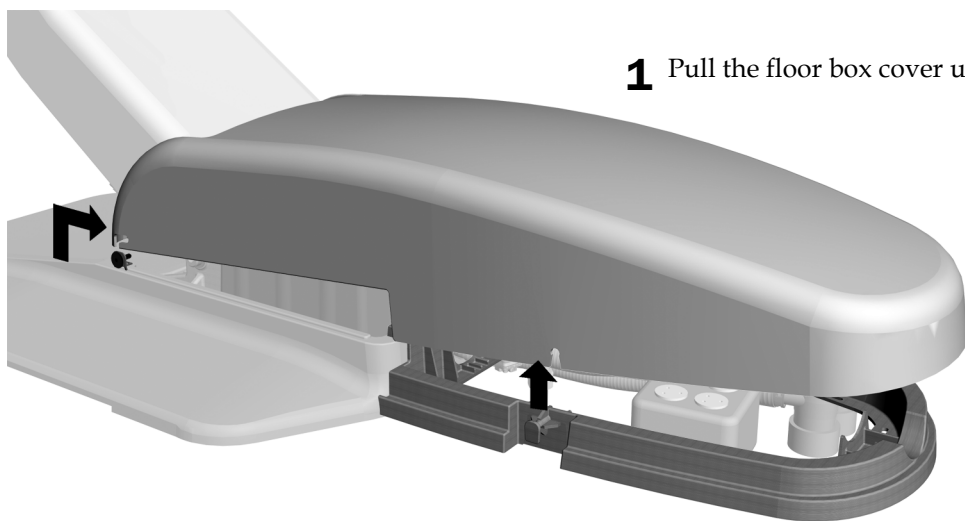
Remove the Covers

Task 1.



- 1** Position the chair so that it is raised halfway up.
- 2** Press in on one side of the stop plate to disengage it from the lift arm and lower it away from the lift arm.

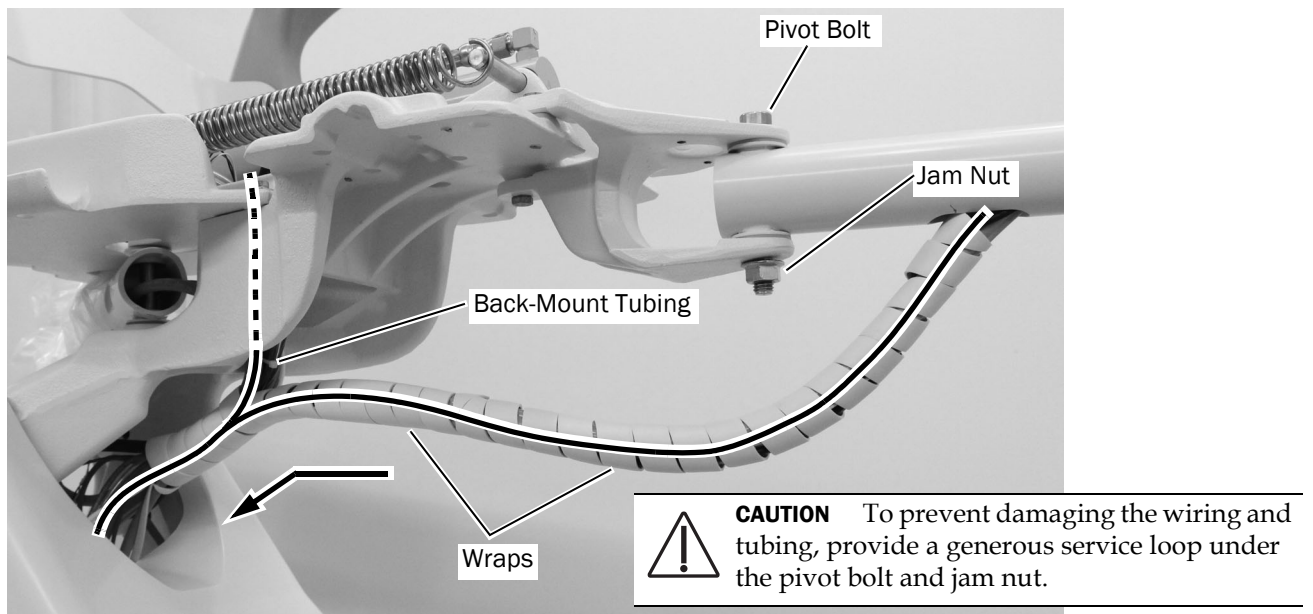
Task 2.



- 1** Pull the floor box cover up and off of its frame.

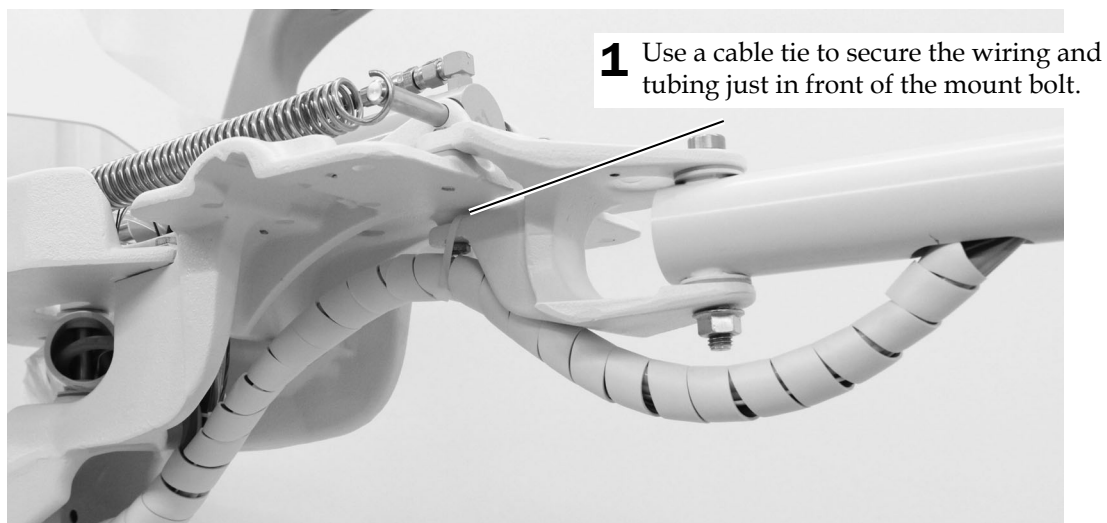
Route the Cables

Task 1.



- 1** Route the wiring and tubing through the upper structure.
- 2** Starting at the slot in the lower post, install two wraps around the wiring and tubing. If there is tubing from equipment installed at the back-mount, include it in the wrap.

Task 2.

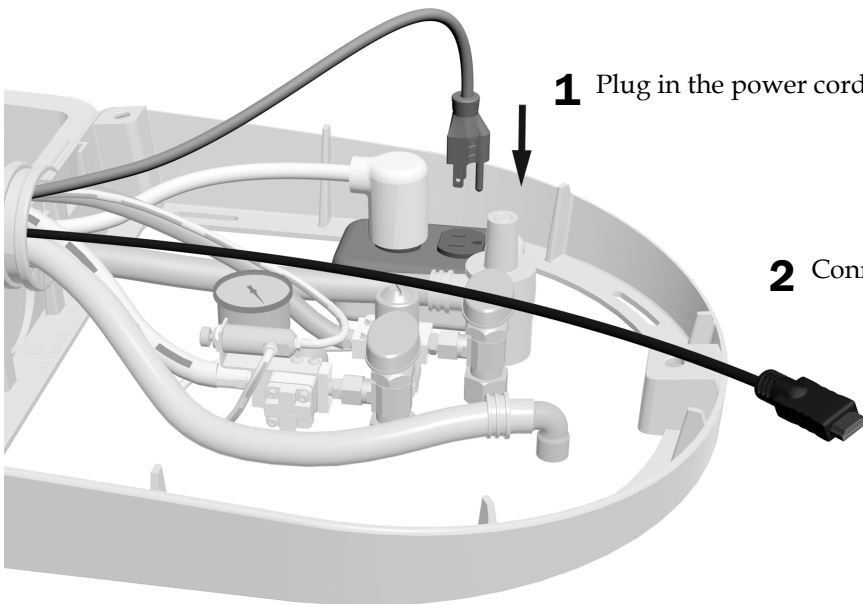


Task 3.



- 1** Route the wiring and tubing down the lift arm and to the floor box.

Task 4.



- 1** Plug in the power cord.

- 2** Connect the monitor cable.

Route the Cables from a Support Center to the Floor Box

Recommended Tools

- 3/16" hex key
- Diagonal cutters

Remove the Covers

Task 1.



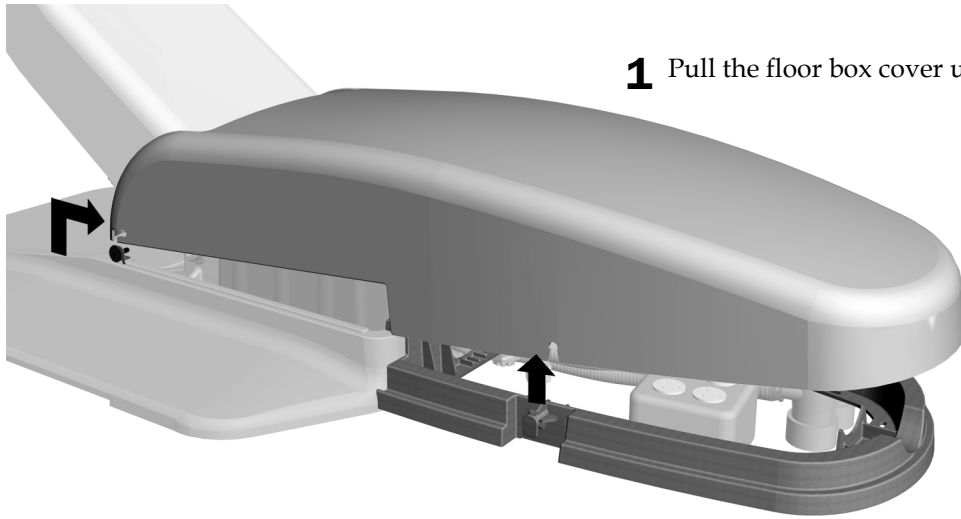
- 1** Remove the support center side covers on both sides.

Task 2.



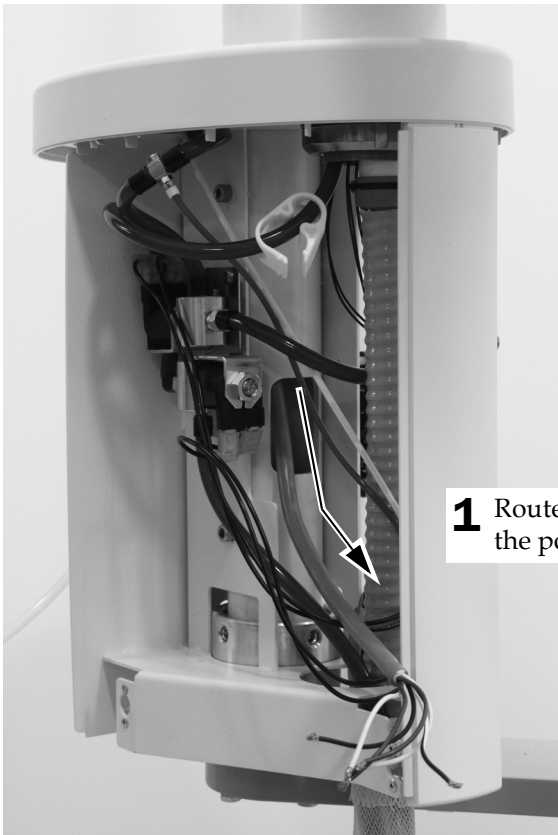
- 1** Position the chair so that it is raised halfway up.
- 2** Press in on one side of the stop plate to disengage it from the lift arm and pull it away from the lift arm.

Task 3.



1 Pull the floor box cover up and off of its frame.

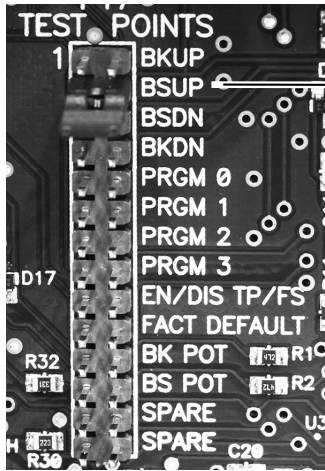
Task 4.



1 Route the wiring through the rectangular hole in the post into the support center.

Task 5.

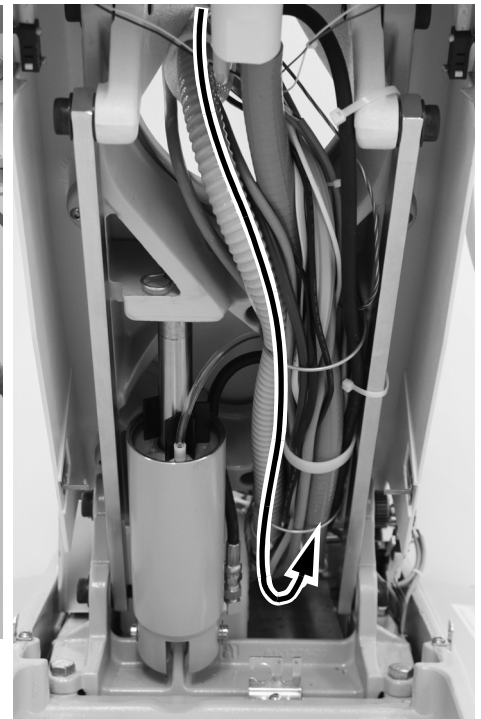
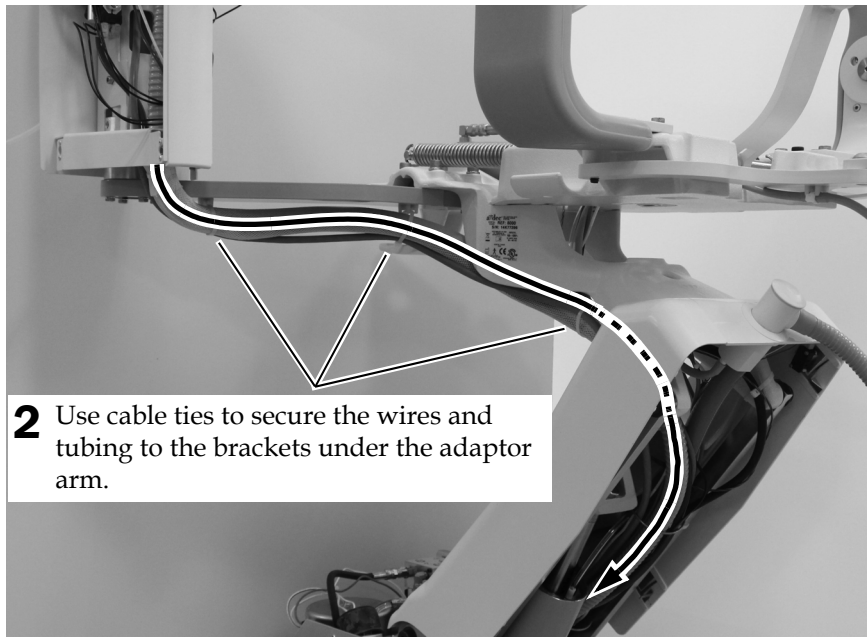
- 1 Plug in the chair.



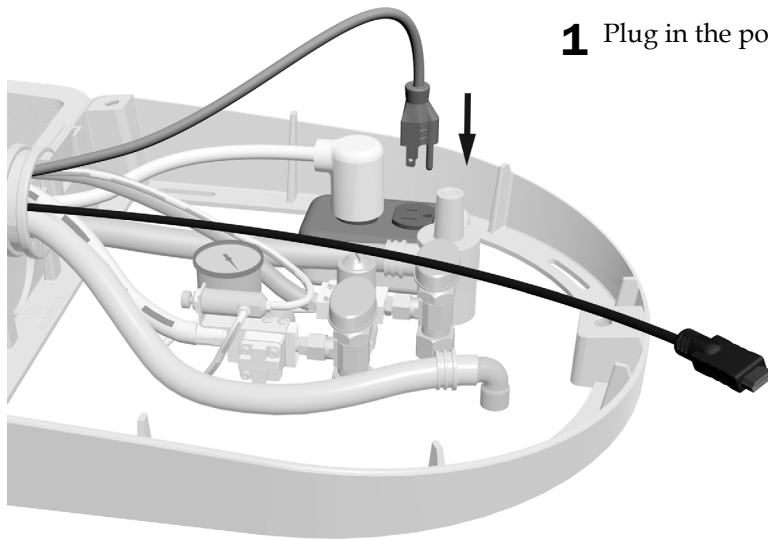
- 2 To make routing the tubing and wires easier, use the jumper to move the chair base up (BSUP).
- 3 Unplug the chair.

Task 6.

- 1 Route the wires and tubing under the adaptor arm, through the upper structure, to the floor box.



Task 7.



1 Plug in the power cord.

2 Connect the monitor cable.

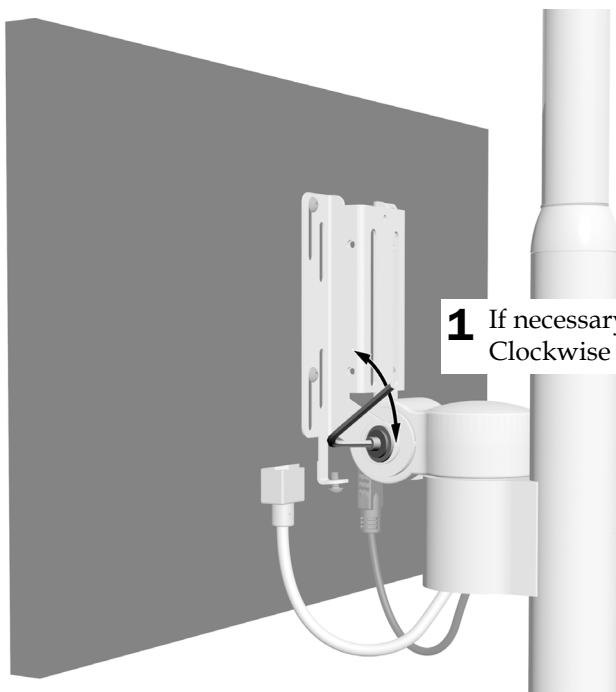
Adjust the System

Adjust the Vertical Tension

The vertical tilt tension should prevent the monitor from drifting down but allow adjustments without requiring significant force.

Recommended Tool

- 3/16" hex key



1 If necessary, use a 3/16" hex key to adjust the vertical tension. Clockwise increases the tension.

Adjust the Rigid Arm Tension (Rigid Arm Installations Only)

Check that you can rotate the monitor mount without moving the rigid arm. If the rigid arm moves, use the following procedure to increase the tension on the rigid arm.

Recommended Tools

- 15/16" socket and ratchets (2)

1 Place the dental light in working position.

2 Tighten the bolt so that the rigid arm can move but does not drift.



3 Tighten the jam nut.

Test the System

Once the monitor is connected to a computer system, test the following:

- When you reposition the monitor, it moves smoothly, and the light rigid arm holds its position.
- After the monitor is in position, it does not drift.
- When you turn on the power to the monitor, it functions correctly.



CAUTION When removing or replacing covers, take care not to damage any wiring or tubing. Verify that the covers are secure after replacing them.

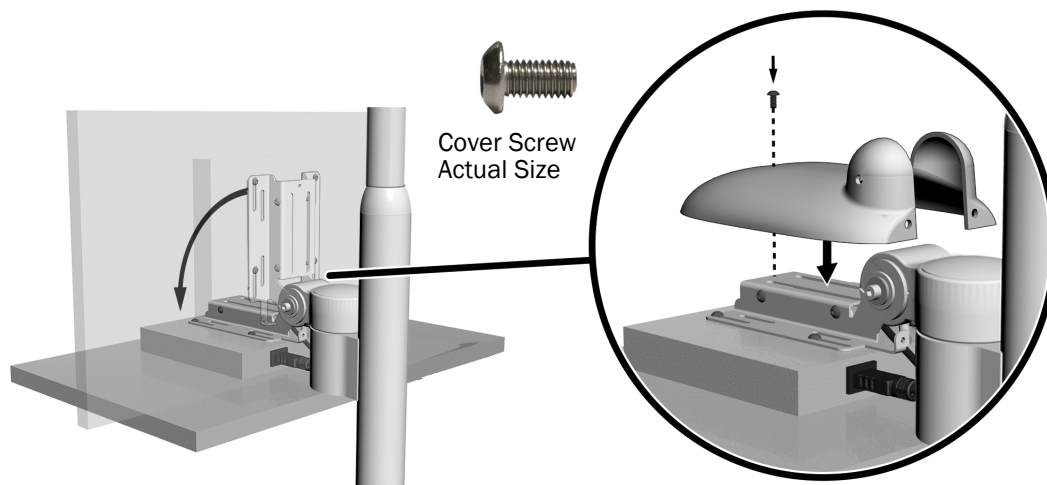
Install the Monitor Mount Covers

Install the Back Cover

Recommended Tool

- 1/8" hex key

Task 1.

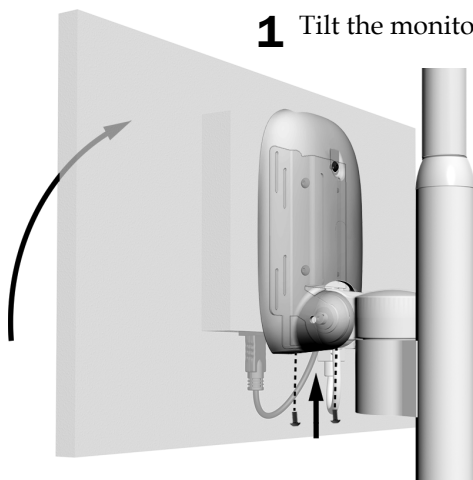


1 Tilt the monitor down as far as you can.

2 Place the cover over the bracket.

3 Use a 1/8" hex key to install the top screw.

Task 2.

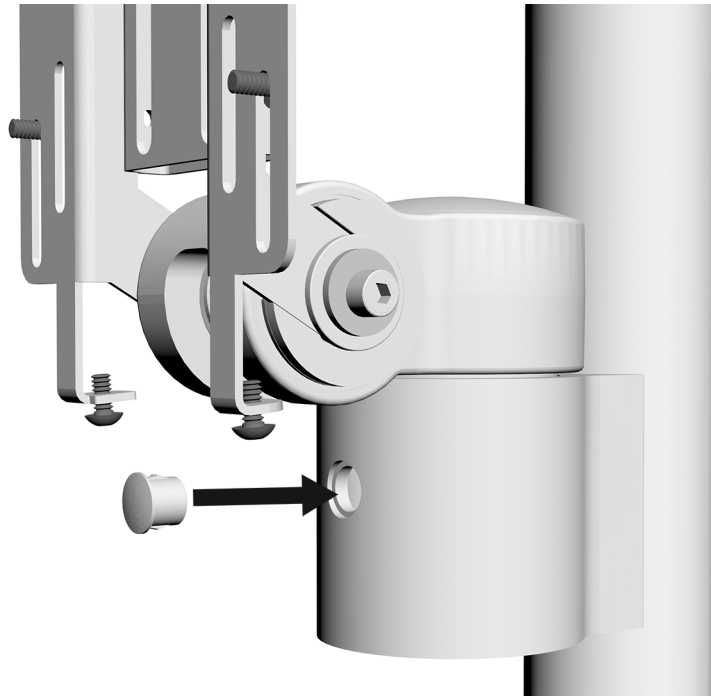


1 Tilt the monitor up.

2 Use a 1/8" hex key to install two screws in the bottom of the cover.

Install the Clamp Plug

- 1 Push the plug into the hole.



Final Steps

1. Reinstall the remaining covers.

Regulatory Information

Regulatory information mandated by agency requirements is provided in the *Regulatory Information, Specifications, and Warranty* document (p/n 86.0221.00), which is available in the Document Library at www.a-dec.com.

Product Models and Versions Covered in this Document

Model	Versions	Description
Performer	A	Monitor Mount
Performer	B	Dental Chair
Performer	B	Dental Light
571	A	Dental Light
571L	A	Dental Light
572	A	Dental Light
572L	A	Dental Light



A-dec Headquarters

2601 Crestview Drive
Newberg, OR 97132 USA
Tel: 1.800.547.1883 Within USA/CAN
Tel: +1.503.538.7478 Outside USA/CAN
www.a-dec.com

A-dec Inc. makes no warranty of any kind with regard to the content in this document including, but not limited to, the implied warranties of merchantability and fitness for a particular purpose.



86.0628.00 Rev B
Date of Issue 2020-02-20
Copyright 2020 A-dec Inc.
All rights reserved.
llGgrphpor15