



A-dec Inspire® 393 Console

INSTALLATION GUIDE

Contents

- Before You Begin 2**
- Unpack the Cabinet 3**
- Place and Level the Cabinet 5**
- Anchor the Cabinet 8**
- Install and Adjust the Drawers 14**
- Install and Adjust the Doors 16**
- Prepare the Cabinet 19**
- Test the System 24**
- Regulatory Information and Warranty 24**

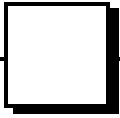


A-dec 393 - 56" Side Console

Product Models and Versions Covered in this Document*

Model	Versions	Description
393	n/a	Dental Furniture

**Some product models, versions, and options in this document may not be available in certain regions.*



Before You Begin

- Clear the room of all debris and thoroughly clean the floors.
- Check with local building and code authorities about installation requirements specific to your location.

Recommended Tools

- Four-foot level
- #2 Pozidriv® screwdriver
- Blue painter's tape
- Drill
- 1/2" drill bit
- Stud finder
- 5/16" and 7/16" sockets and ratchet with 6" locking extension

Important Information



NOTE Information that is critical to a successful installation is shaded like this note throughout the guide.

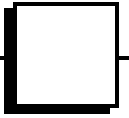


WARNING Failure to install the A-dec Inspire 393 Console as described in this installation guide may cause the unit to collapse, resulting in serious injury to personnel.



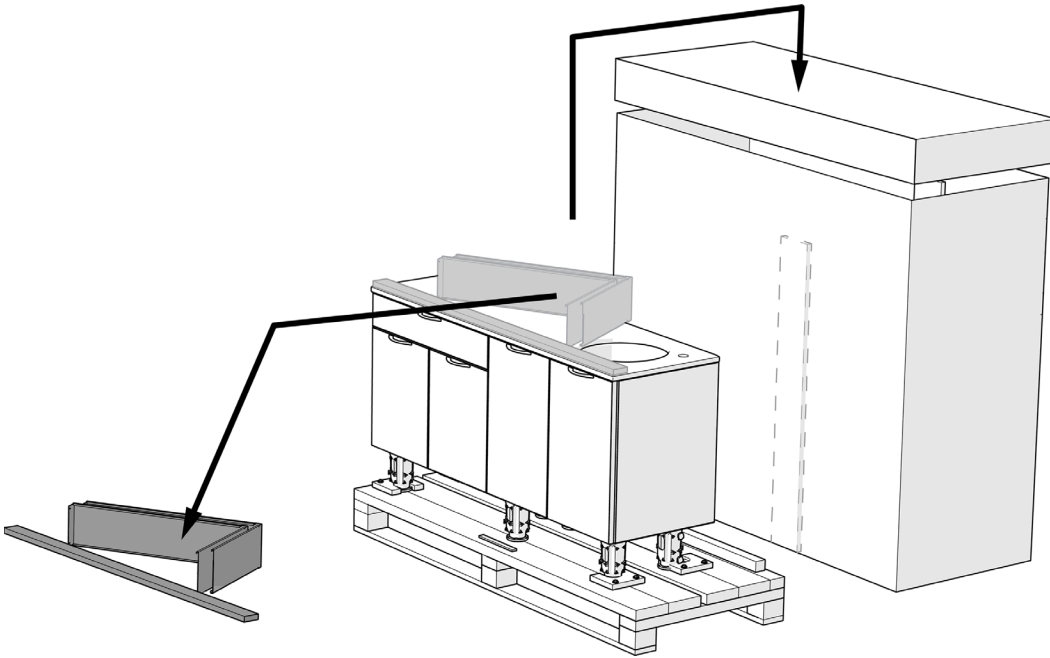
WARNING Two people should install this cabinet to avoid personal injury.

Unpack the Cabinet

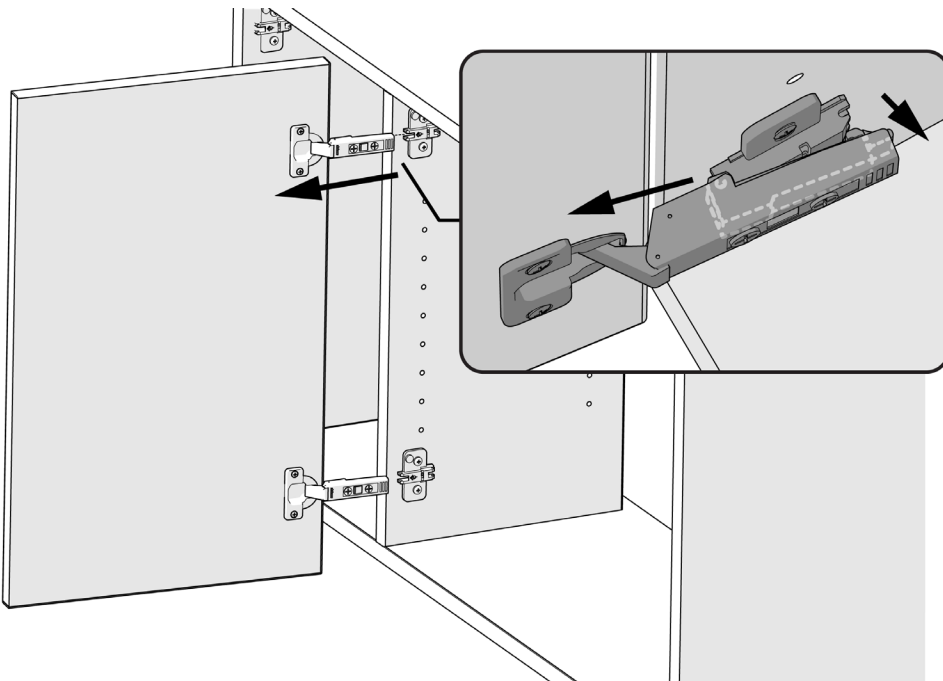


Recommended Tool

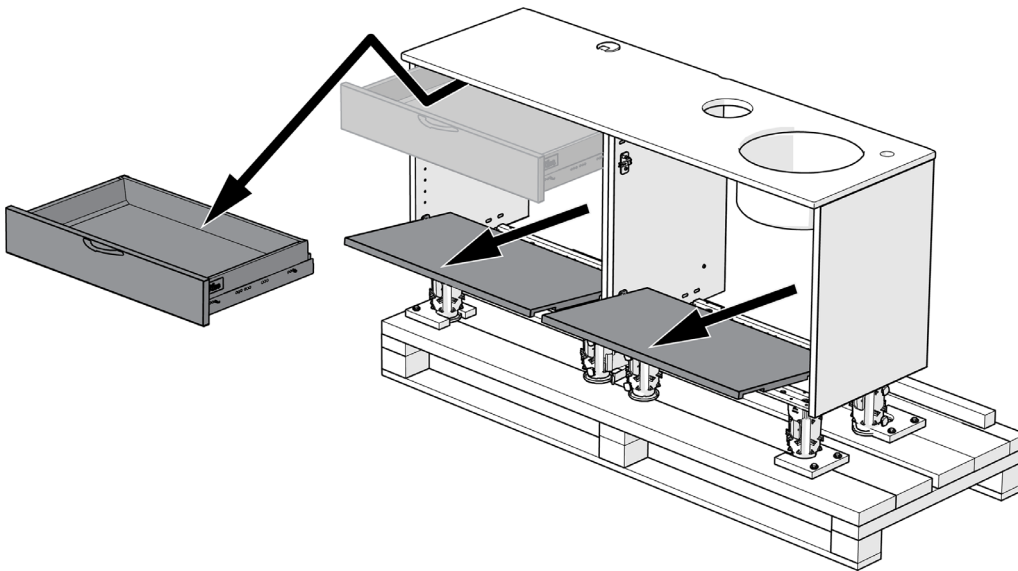
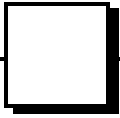
- 7/16" socket and ratchet



1 Remove the items from the pallet and cabinet.



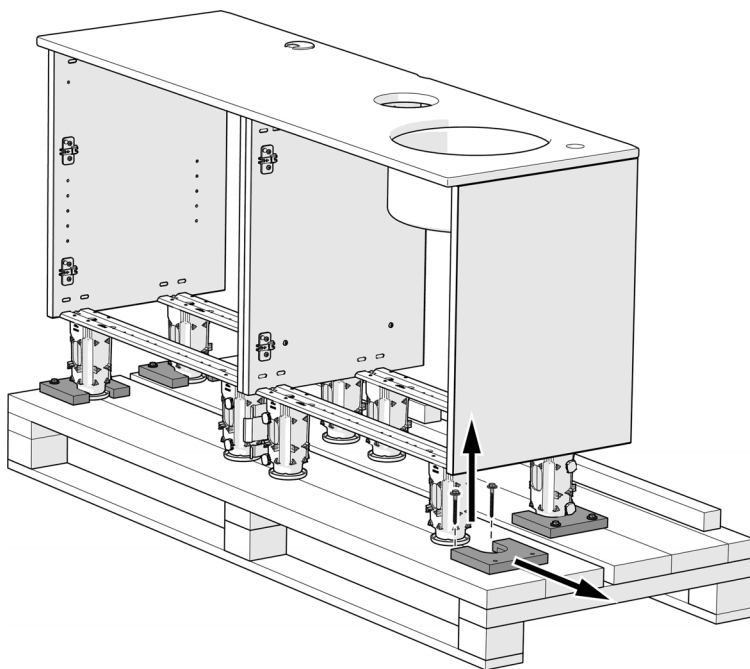
2 Pull up at the back of the hinge to remove the doors.



3 Remove the drawers.

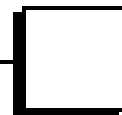
- 1 Pull the drawer out to the stop.
- 2 Lift the front of the drawer, pull out, then down.

4 Remove the false bottoms.



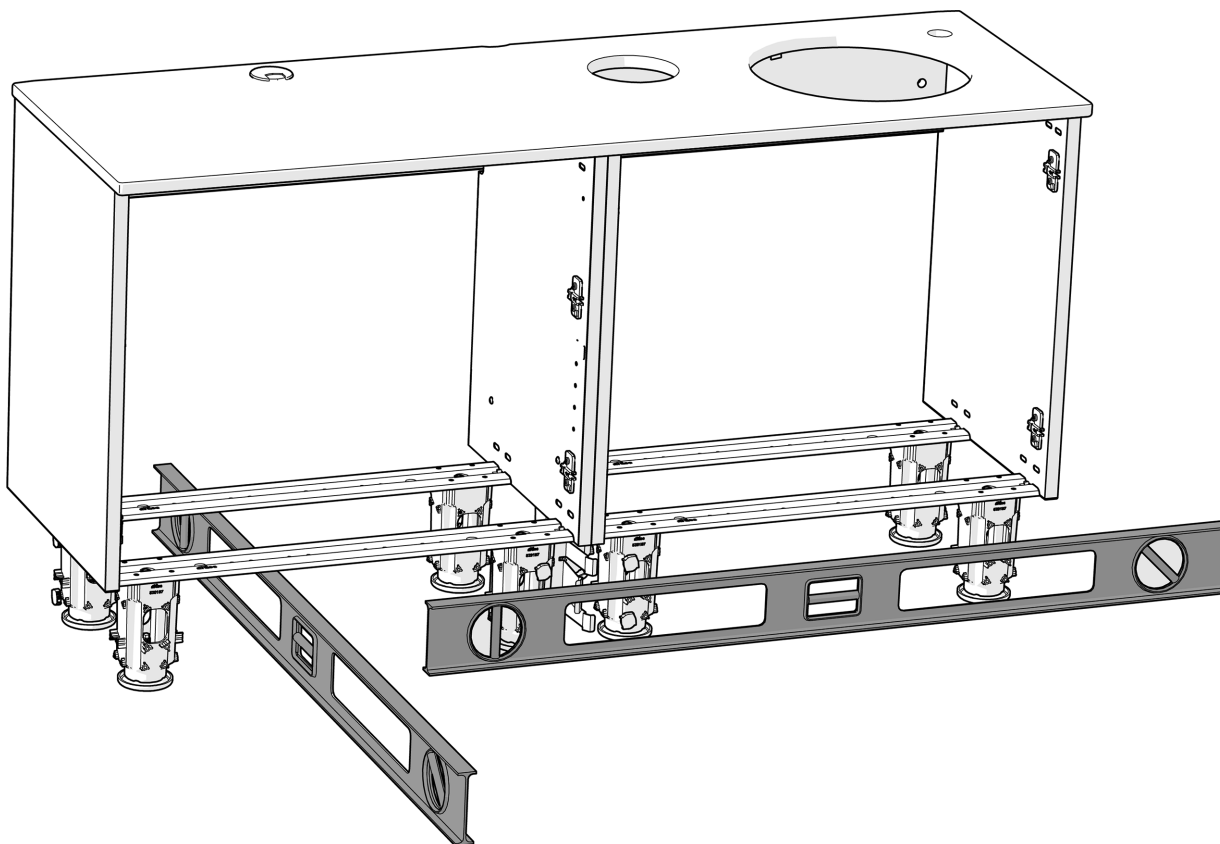
5 Use a 7/16" socket and ratchet to remove the anchors securing the cabinet to the pallet. Lift and pull the anchors to remove them from the feet.

Place and Level the Cabinet



Recommended Tools

- Level
- 5/16" socket and ratchet with extension



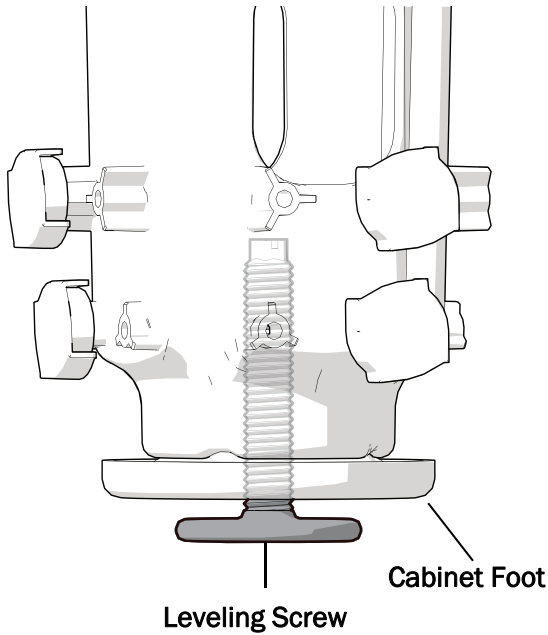
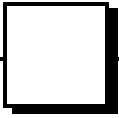
- 1** Place the cabinet in position against a wall.
- 2** Use a four-foot level to identify the high point of the floor by the cabinet, for both side to side and front to back.



TIP For a frame of reference while leveling, mark the high spot with a piece of tape in front of the cabinet.



NOTE Read all of the steps on the next two pages before beginning the leveling procedure.



CAUTION When adjusting the leveling screw, be sure to use a 6-point socket. 12-point sockets can damage the screws.

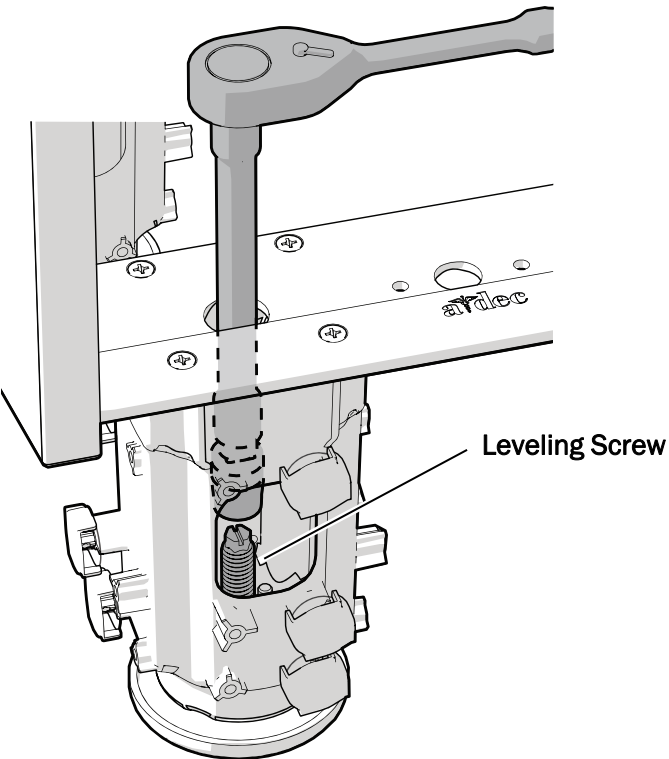


CAUTION To maintain the complete look and functionality of the cabinet, do not raise the cabinet more than 3/4" (19 mm).

- 3** Starting at the ends of the cabinet, use a 5/16" socket and ratchet (with extension) to adjust the leveling screws as needed.



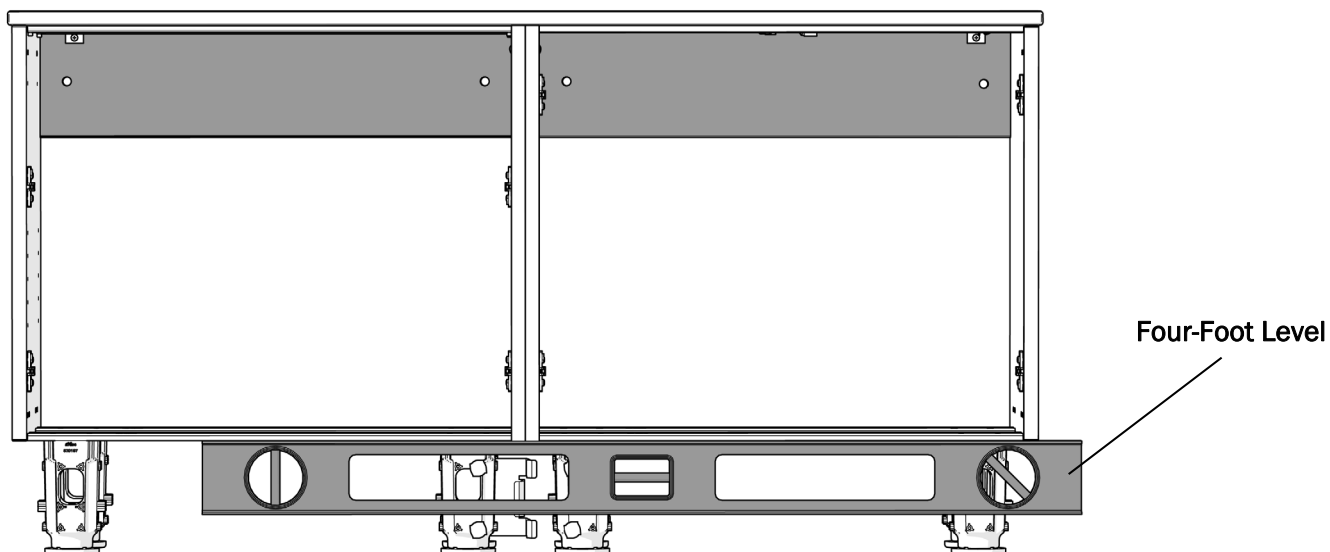
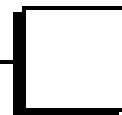
NOTE Extend the leveling screw to raise the cabinet.



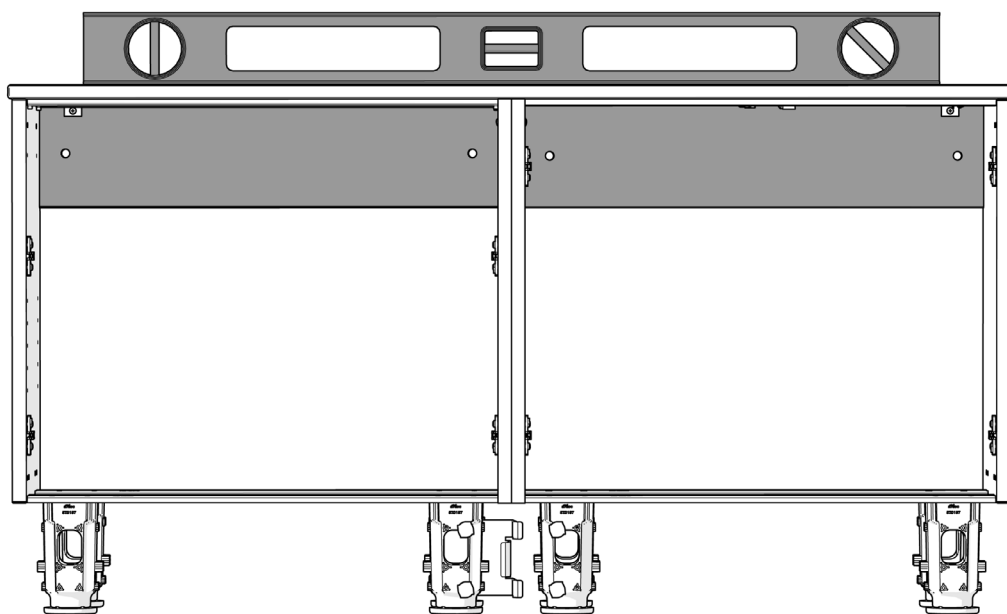
- 4** Work from side to side and end to end. Adjust the leveling screws to raise cabinet sections until they are even with the high point and the entire cabinet is level.



NOTE Continue to alternate side-to-side and end-to-end adjustments during the entire leveling process.



- 5** Use a level on the bottom edges of the side panels to make sure the cabinet is level.



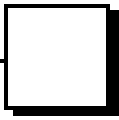
All Leveling Screws Touch the Floor

- 6** Use a level on the countertop to check the counter is flat.

- 7** Once the cabinet is level, make sure all of the leveling screws are touching the floor.



TIP To check that the leveling screw is touching the floor, try to slide a piece of paper under it.



Anchor the Cabinet

Use the number of anchors appropriate for the location and configuration of the cabinet.

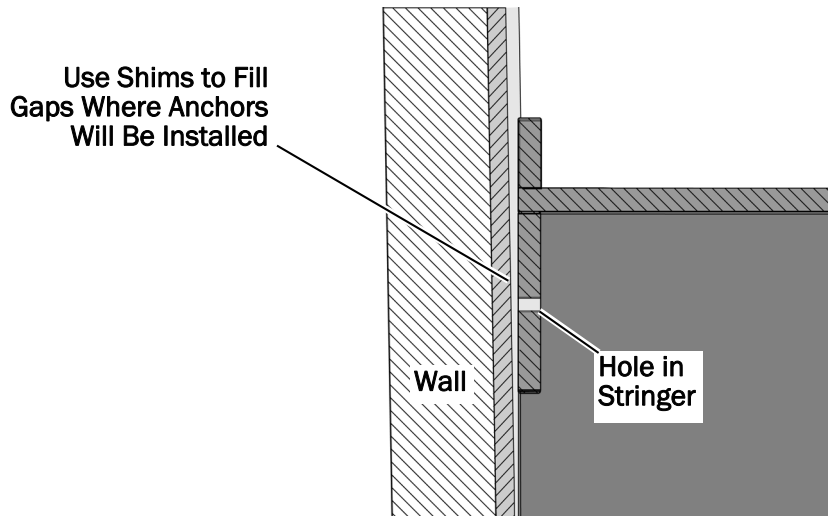


READ THIS! A minimum of two anchors are required to secure the cabinet. Additional anchors might be necessary depending on the seismic requirements for the installation. Consult A-dec customer service for additional details.



NOTE For cabinets with more than two pre-drilled holes, install the anchors in the outermost holes if possible.

Examine where the wall meets the pre-drilled holes in the cabinet's stringer. That is where you install the anchors. If there is a gap between the wall and the cabinet, use shims when securing the cabinet to fill the gap.

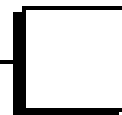


Depending on the cabinet's location, the pre-drilled holes in the stringer may be in front of a stud or just the wall.

Complete the instructions for each hole for what the fastener will secure into:

Secure the Cabinet to the Wall into Metal Studs or No Studs 9

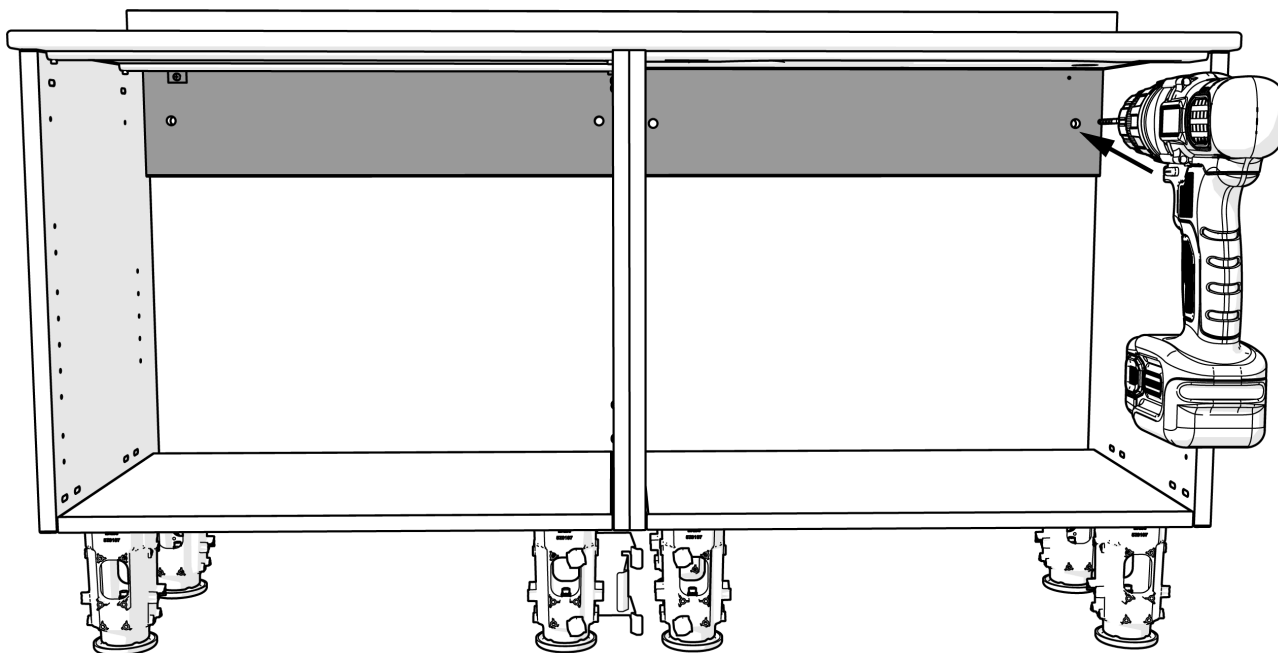
Secure the Cabinet to the Wall into Wood Studs 12



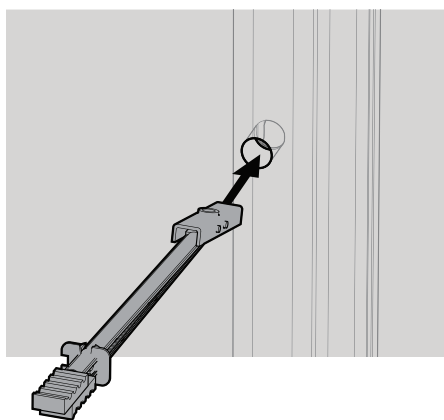
Secure the Cabinet to the Wall into Metal Studs or No Studs

Recommended Tools

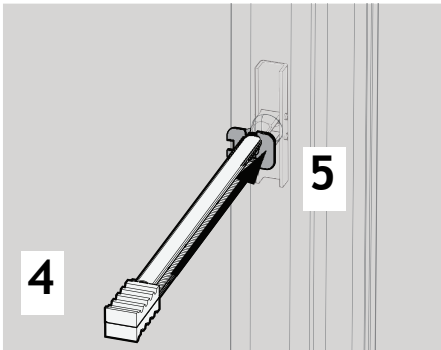
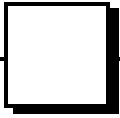
- Stud finder
- Drill
- 1/2" drill bit
- 7/16" socket and ratchet



- 1** Use a 1/2" drill bit through a pre-drilled hole in the stringer to drill a hole into the wall.

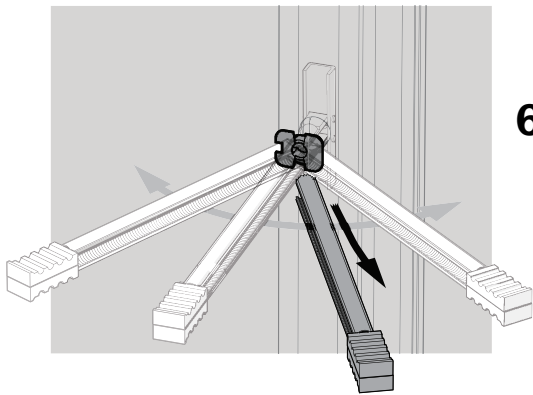


- 2** Hold the metal catch of the toggle anchor flat against the plastic strap.
- 3** Push the catch fully through the holes in the wall and stud.

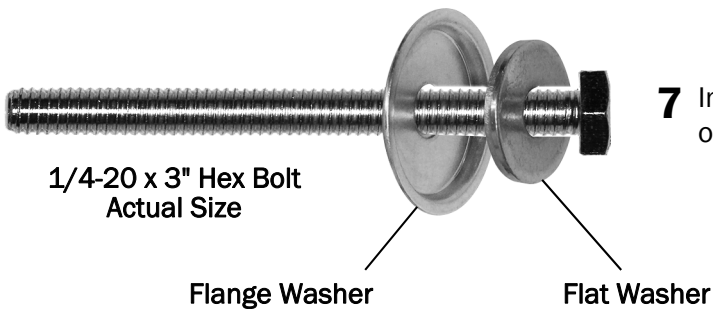


4 Pull the handle of the toggle anchor straight out.

5 Slide the plastic cap down the plastic strap until the cap is flush with the wall.



6 Rock the strap side to side, snapping it off at the wall.

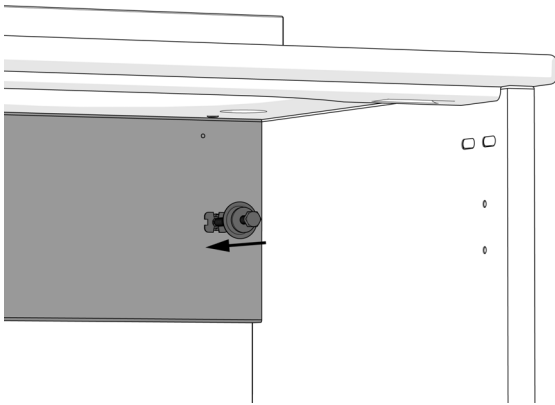
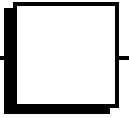


7 Install the flat washer and flange washer on a 1/4-20 x 3" hex bolt.

1/4-20 x 3" Hex Bolt
Actual Size

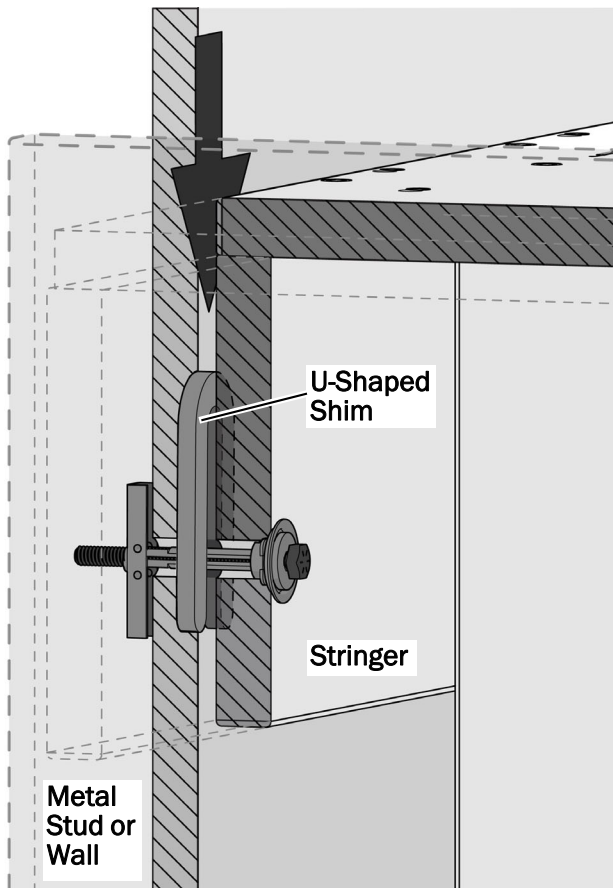
Flange Washer

Flat Washer



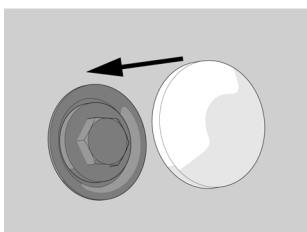
CAUTION To prevent stripping the bolt, begin its installation by hand.

- 8** Insert the 1/4-20 x 3" hex bolt and washers into the hole in the toggle bolt and start its installation by hand.
- 9** Use a 7/16" socket and ratchet to lightly tighten the bolt until the cabinet touches the wall.

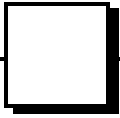


CAUTION If there is a gap between the wall and the cabinet, install a shim over the bolt securing the cabinet to a stud/wall to prevent damage to the equipment when tightening the bolt.

- 10** Check by the anchor to see if there is a gap between the wall and the cabinet. If there is a gap, hang U-shaped shims over the toggle bolt to fill the gap.
- 11** Use a 7/16" socket and ratchet to fully tighten the hex bolt.
- 12** Repeat steps 1-11 for each anchor to be installed.



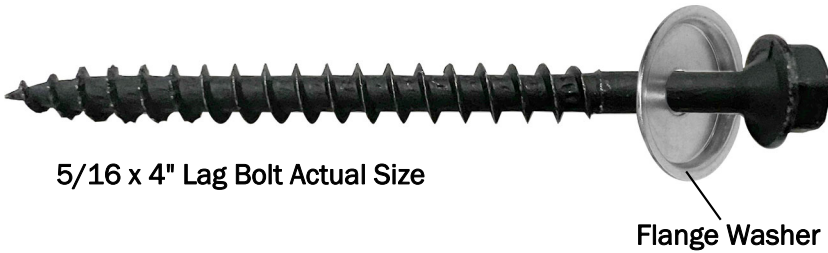
- 13** Install caps over the anchors securing the cabinet to the wall.



Secure the Cabinet to the Wall into Wood Studs

Recommended Tools

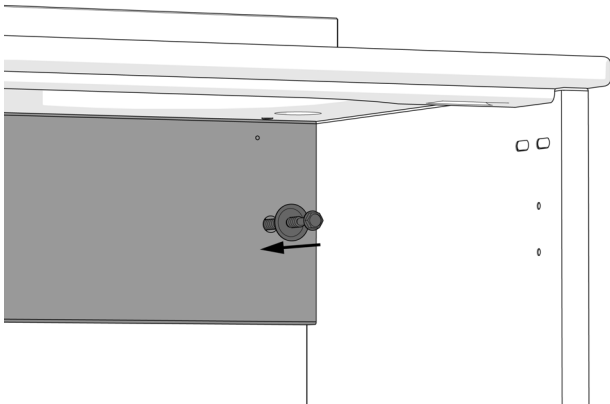
- Stud finder
- 7/16" socket and ratchet



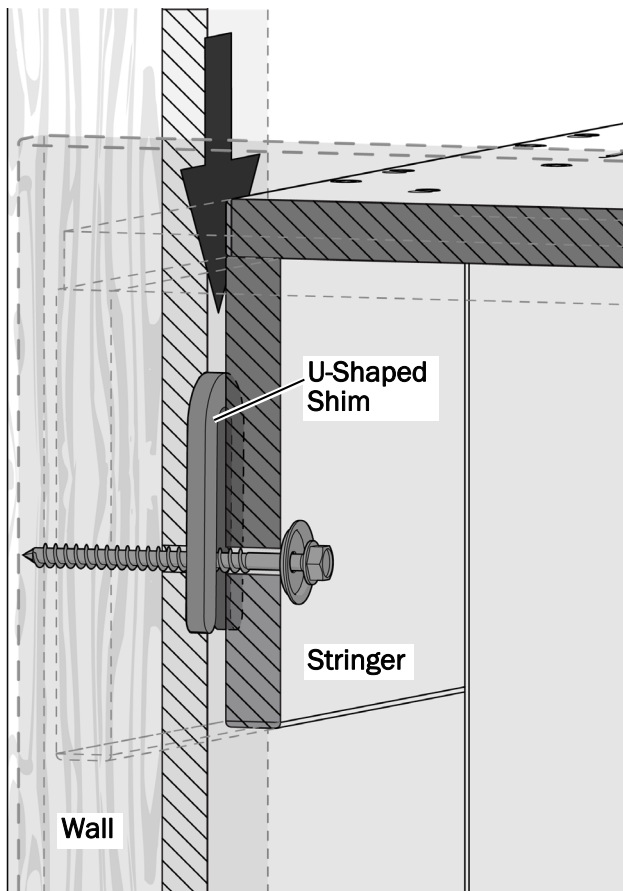
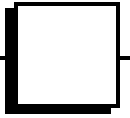
5/16 x 4" Lag Bolt Actual Size

Flange Washer

- 1** Install a flange washer on the 5/16 x 4" lag bolt.

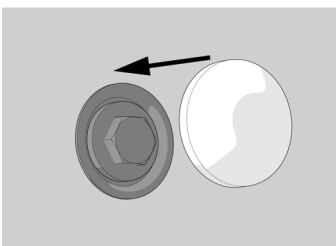


- 2** Insert the lag bolt and washer through a pre-drilled hole and use a 7/16" socket and ratchet to lightly tighten the bolt until the cabinet touches the wall.

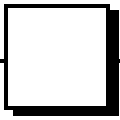


CAUTION If there is a gap between the wall and the cabinet, install a shim over the bolt securing the cabinet to a stud to prevent damage to the equipment when tightening the bolt.

- 3** Check by the anchor to see if there is a gap between the wall and the cabinet. If there is a gap, hang U-shaped shims over the lag bolt to fill the gap.
- 4** Use a 7/16" socket and ratchet to fully tighten the lag bolt.
- 5** Repeat steps 1-4 for each anchor to be installed into a wood stud.

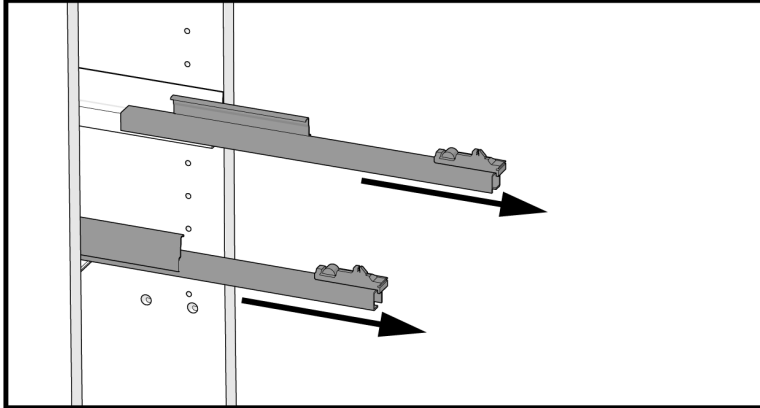


- 6** Install caps over the anchors securing the cabinet to the wall.

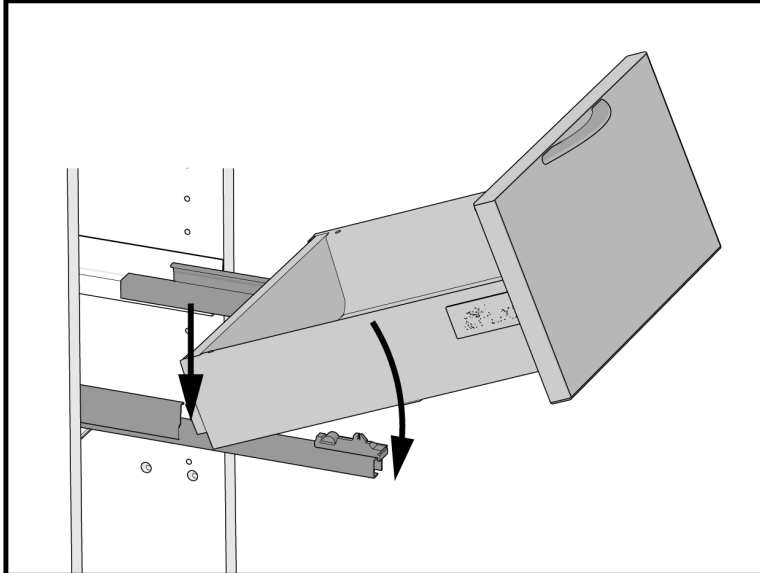


Install and Adjust the Drawers

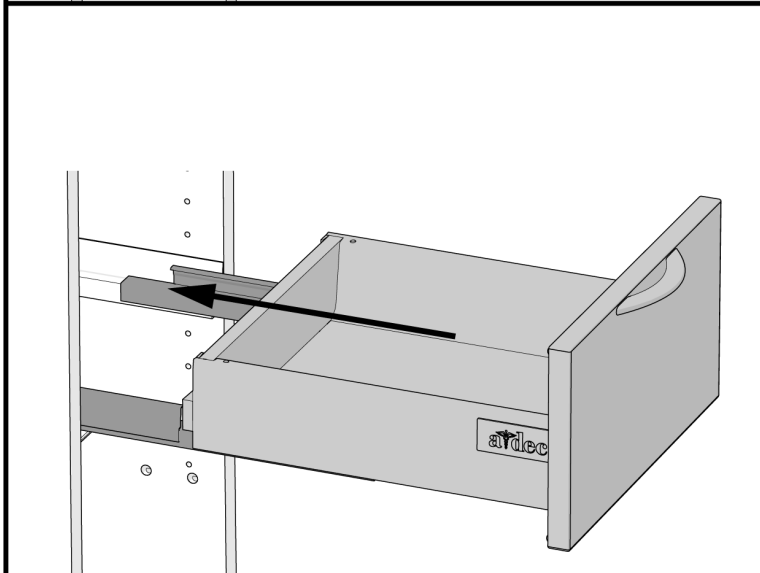
Install the Drawers



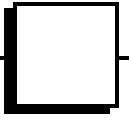
1 Pull out the drawer slides.



2 Place the drawer aligned with the extended slides then insert the drawer onto the slides.



3 Push the drawer in and ensure that it is engaged with both slides. Confirm the drawer moves smoothly through its full range of motion.



Adjust the Drawer Faces

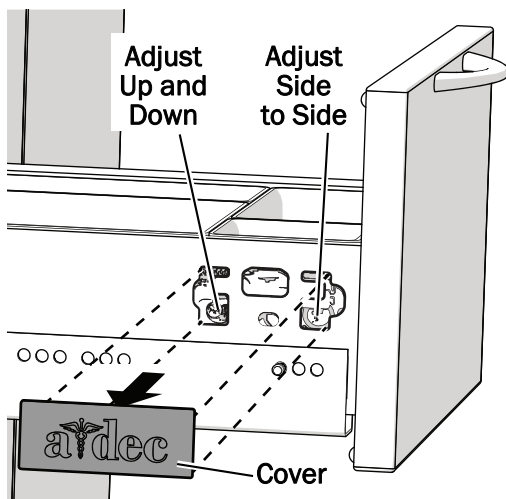
Adjust the face of the drawers to align them properly.

Recommended Tool

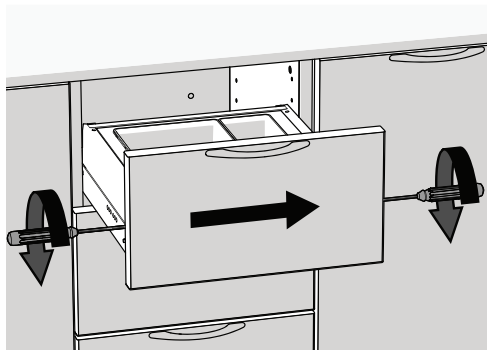
- #2 Pozidriv® screwdriver



CAUTION To avoid damaging the screws, use a #2 Pozidriv® screwdriver to adjust the screws that move the drawer faces.



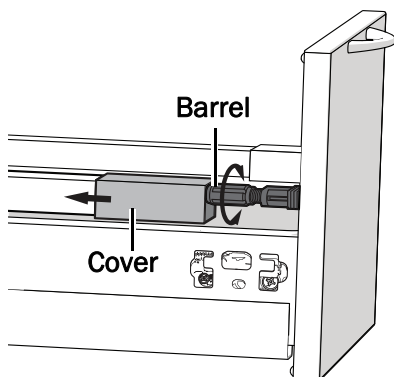
- 1** Remove the covers on both sides of the drawer.
- 2 Up and Down:** On both sides, adjust the screws closest to the back of the drawer.



- 3 Side to Side:** On both sides, adjust the screws closest to the face of the drawer. Make sure to move both screws in equal increments. The direction shown moves the drawer face to the right.



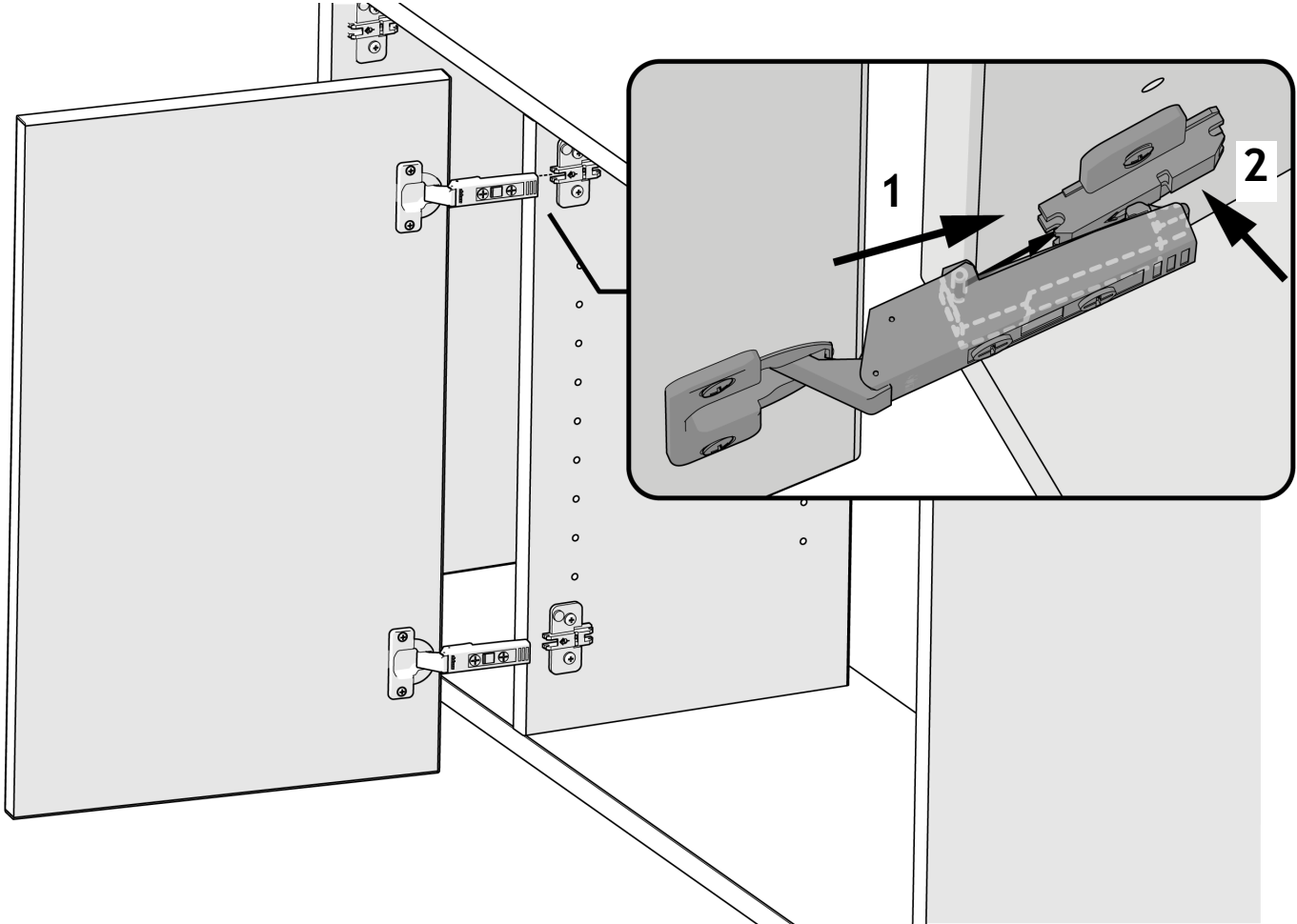
TIP Use two screwdrivers at the same time to move the face more easily.



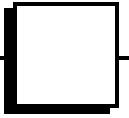
- 4 Front to Back Tilt (Gallery Rails only)** - Slide the covers and rotate the barrels.

Install and Adjust the Doors

Install the Doors



- 1** Insert the door hinge onto the front catch of the hinge mounting plates.
- 2** To lock the hinge in place, press the back of the hinge onto the hinge plate.



Adjust the Doors

Adjust the door hinges to align the doors properly.

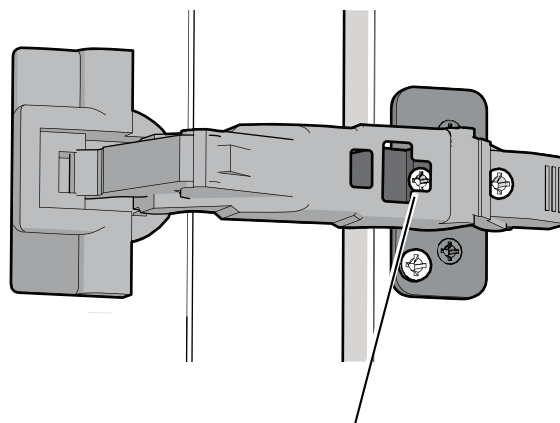
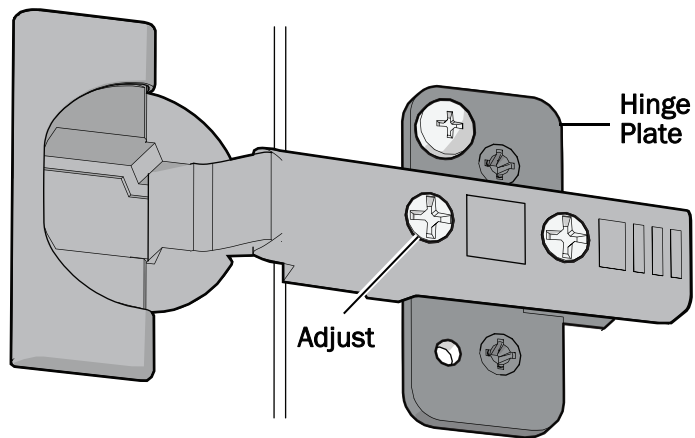
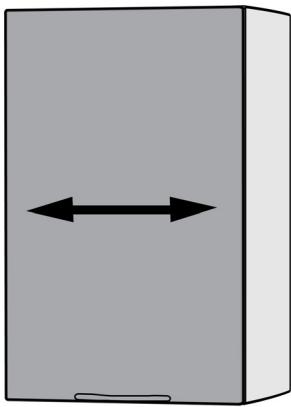
Recommended Tool

- #2 Pozidriv® screwdriver

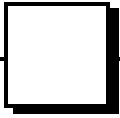


CAUTION To avoid damaging the screws, use a #2 Pozidriv® screwdriver to adjust the door hinge screws.

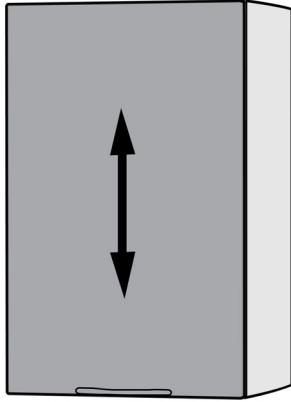
Side to Side



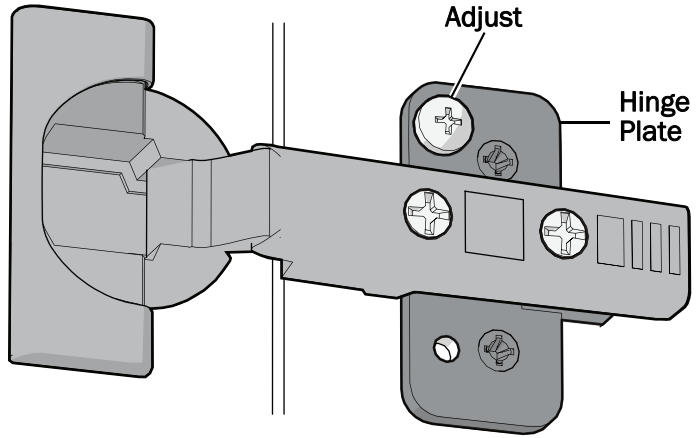
For 155° hinges, close the door slightly for better access to the screw.



Up and Down

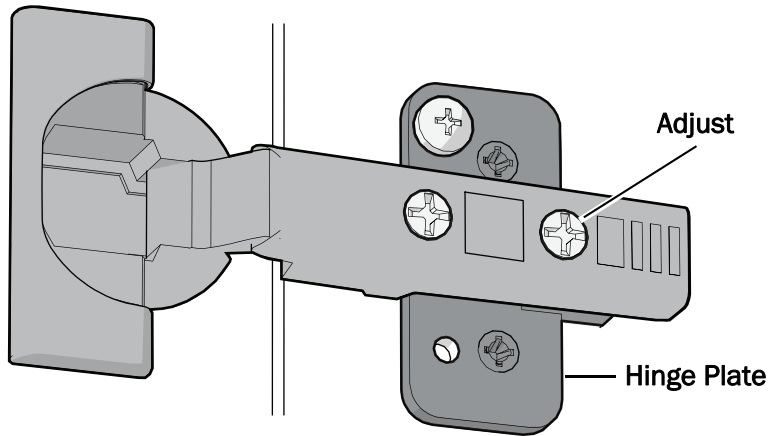
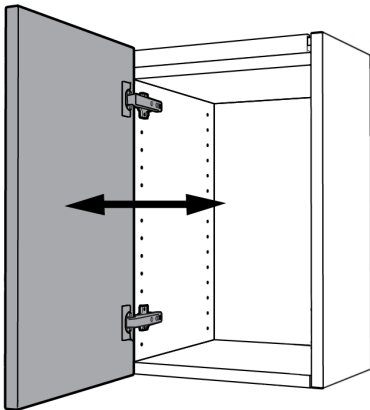


Standard Hinge Plate - Regular Door

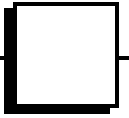


NOTE The screw on the hinge plate may be at the top or bottom, depending on the door configuration.

Back to Front



Prepare the Cabinet



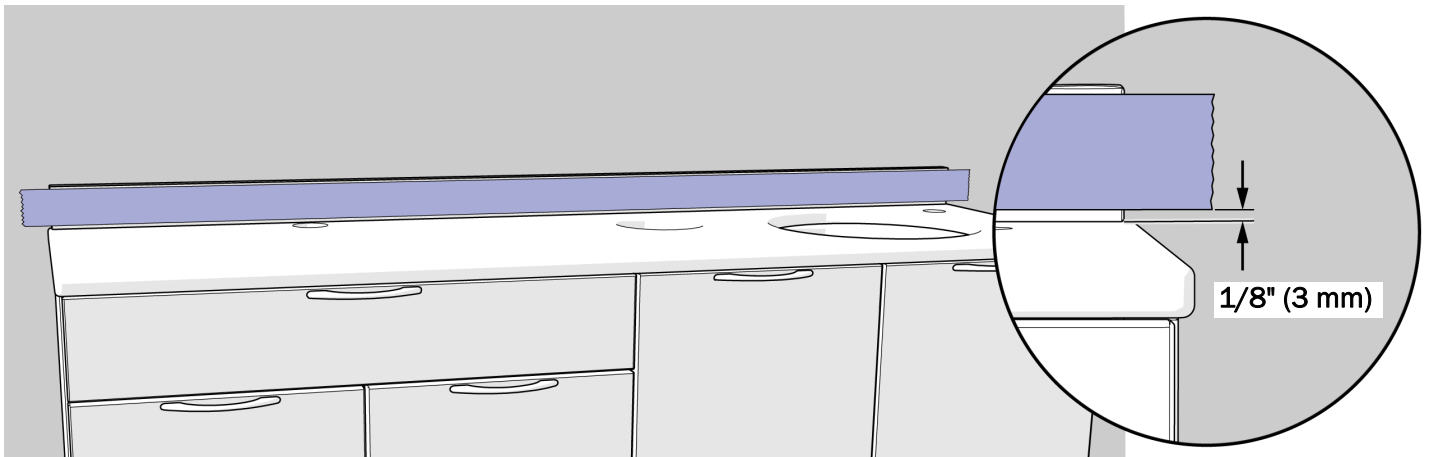
Install the Backsplash

Recommended Tool

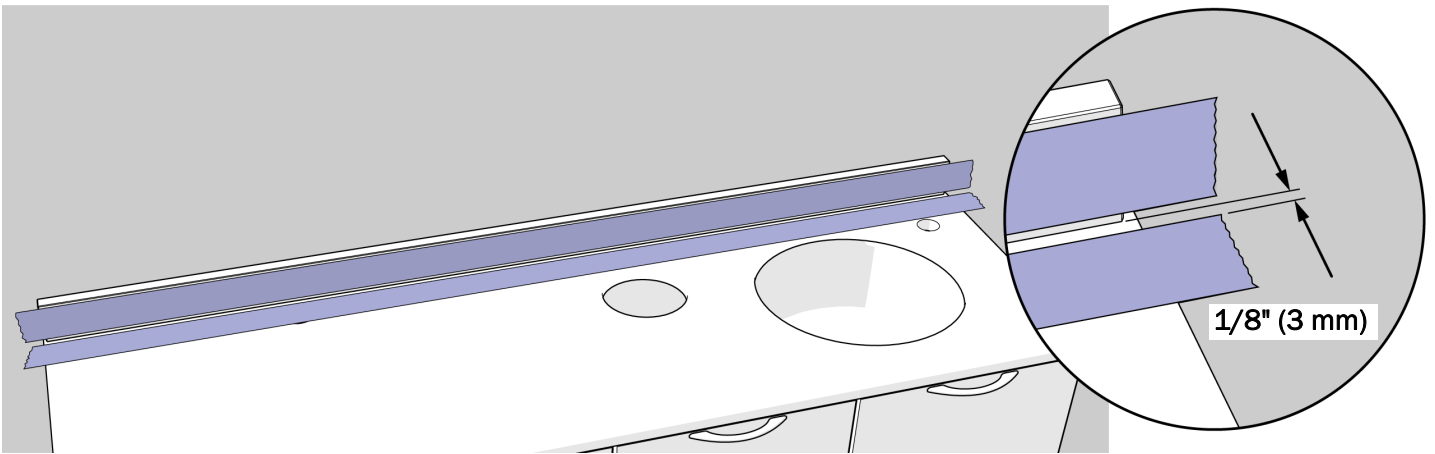
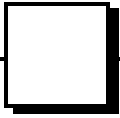
- Blue painter's tape



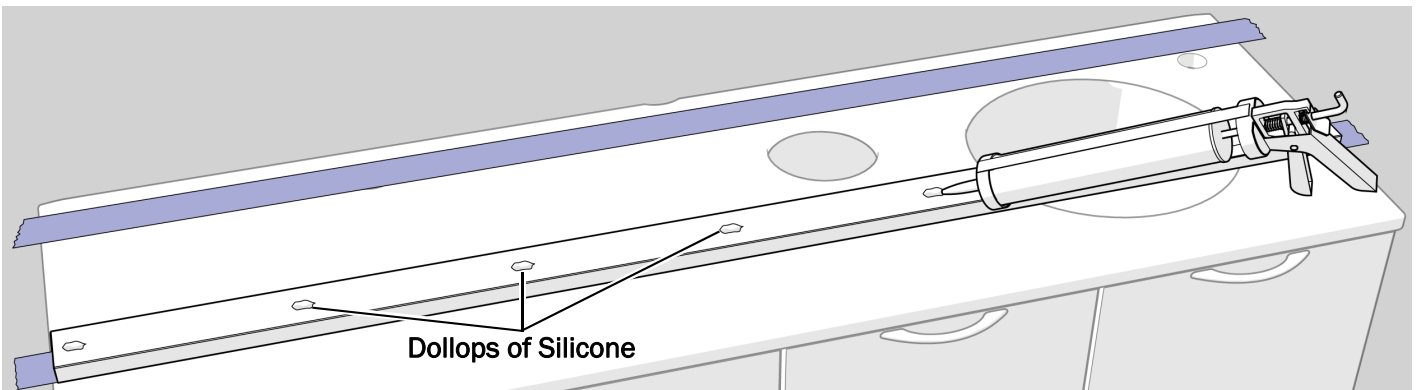
WARNING Keep the area on the top of the cabinet clean for how long the manufacturer recommends for the silicone to set. If debris falls into this area before the silicone is set, it can compromise the look and function of the silicone.



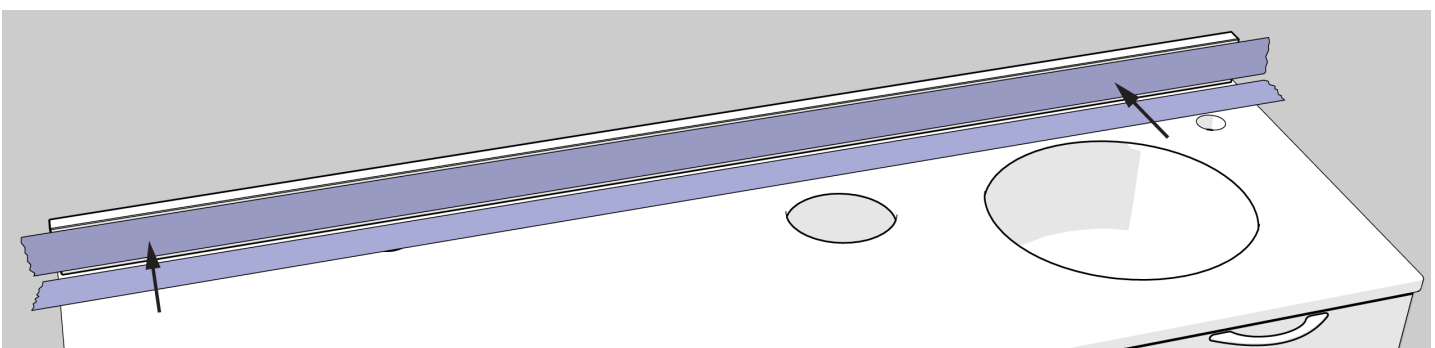
- 1** Approximately 1/8" (3 mm) from the bottom of the backsplash run a strip of blue painter's tape that runs the length of the backsplash.



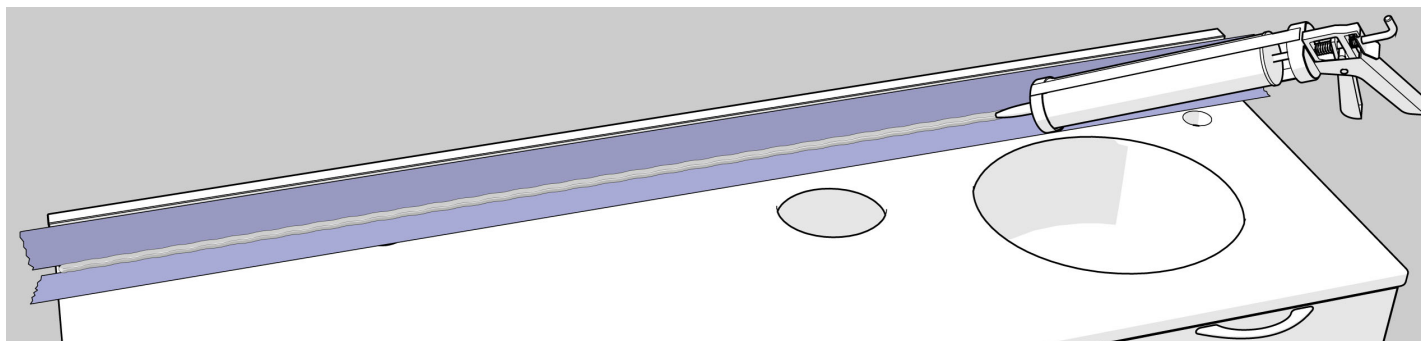
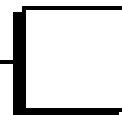
- 2 Position the backsplash on top of the countertop and against the wall.
- 3 Approximately 1/8" (3 mm) from the bottom of the backsplash run a strip of tape on the countertop that runs the length of the countertop.



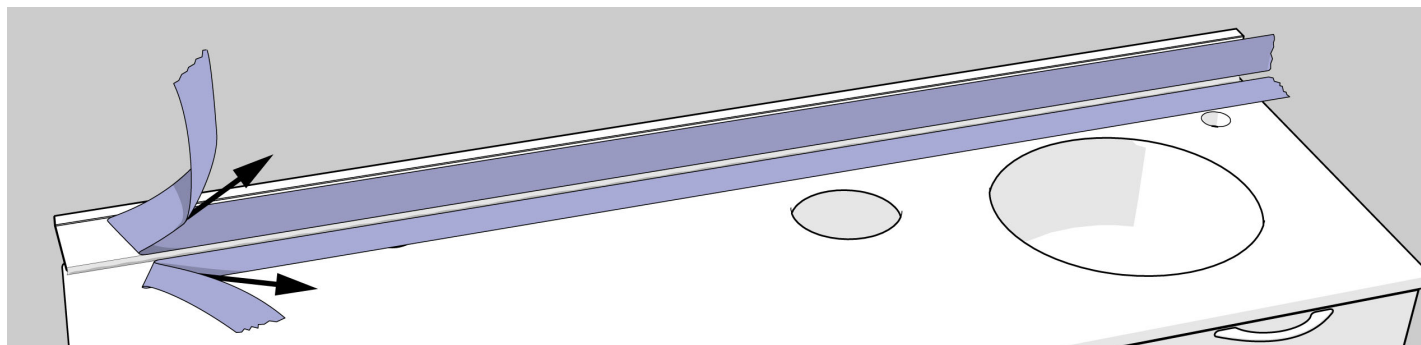
- 4 Remove the backsplash from the wall and on the back of the backsplash, place a dollop of silicone every 8" (203 mm) or so along its length.



- 5 Place the backsplash back in position, centered on the cabinet, with the silicone toward the wall, then press it firmly against the wall.



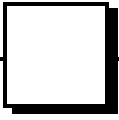
- 6** In the gap between the backsplash and countertop, run a bead of silicone the length of the backsplash and smooth it into the gap.



- 7** Remove the tape.

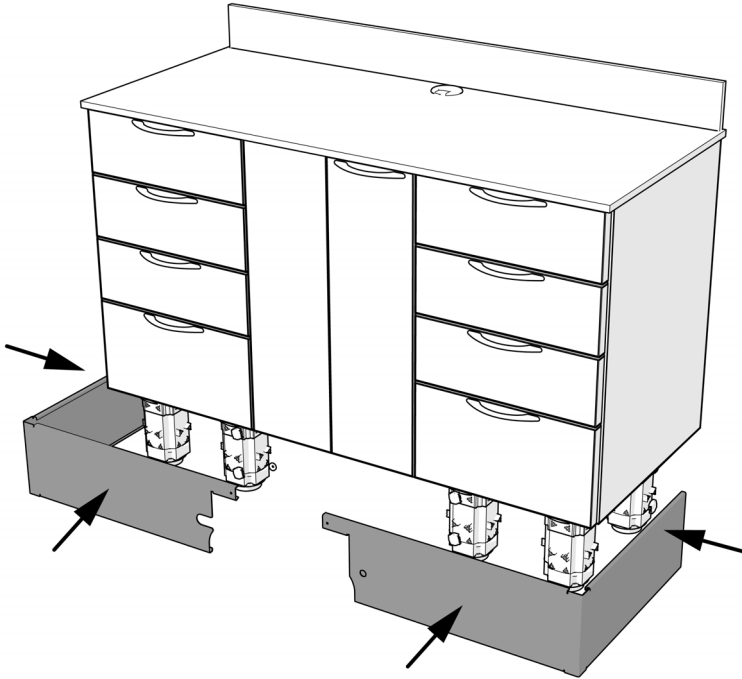
Install the Faucet (optional)

If your system includes a faucet, see the manufacturer's installation instructions that ship with the product.

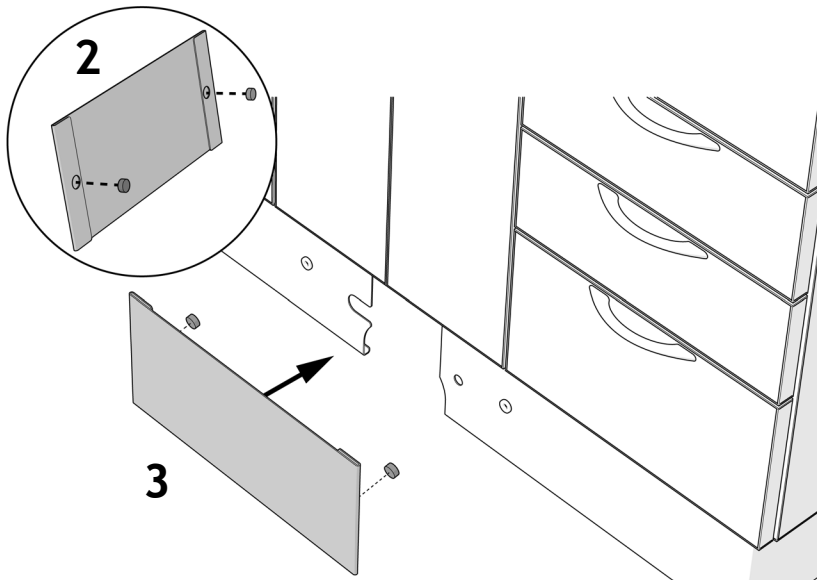


Install the Base Covers

42" Cabinets

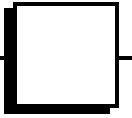


- 1** Place the two large base covers over the magnets to hold them in position.

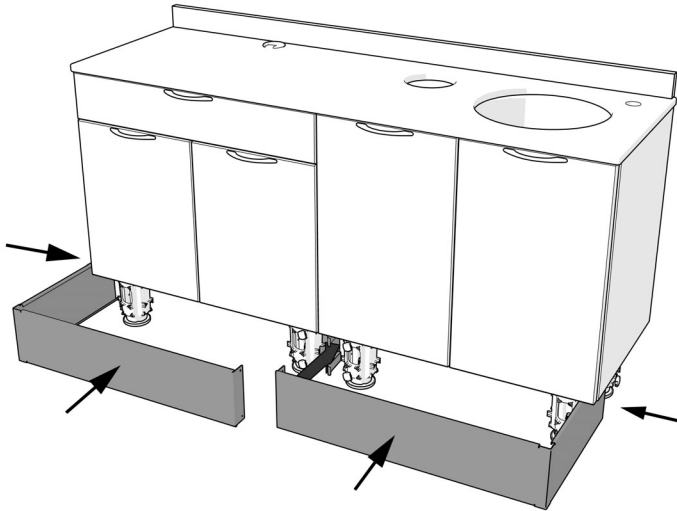


Steps for Cabinets Without a Delivery System Installed - Only

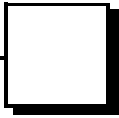
- 2** Insert magnets into the two circles on the small base cover.
- 3** Place the small base cover over the hole between the two large base covers.



56" Cabinets



- 1** Place the base covers over the magnets to hold them in position.



Test the System

After you have completed the installation of the A-dec Inspire 393 Console, use the *A-dec Dental Furniture Installation Checklist* (p/n 86.0624.00) to test the system. The checklist ships with the product.

Regulatory Information and Warranty

For required regulatory information and the A-dec warranty, see the *Regulatory Information, Specifications, and Warranty* document (p/n 86.0221.00) available in the Resource Center at www.a-dec.com.



For quick access to this document online, scan, tap, or click this QR code, which points to a-dec.com/regulatory-guide.

Pozidriv is a registered trademark of the Phillips Screw Company in the United States and may also be a trademark or registered trademark in other countries. All other trademarks cited herein are registered trademarks or trademarks of A-dec, Inc. in the United States and may also be trademarks or registered trademarks in other countries.



A-dec Headquarters

2601 Crestview Drive
Newberg, OR 97132 USA
Tel: 1.800.547.1883 Within USA/CAN
Tel: +1.503.538.7478 Outside USA/CAN
www.a-dec.com

A-dec, Inc. makes no warranty of any kind with regard to the content in this document including, but not limited to, the implied warranties of merchantability and fitness for a particular purpose.



86.1091.00 Rev A
Date of Issue 2024-02-05
Copyright 2024 A-dec, Inc.
All rights reserved.
IG_idf8