

#### Recommended Monitor Mount Placement

The table and diagram below show recommended locations to place the A-dec Ceiling Monitor Mount. Primary recommendations minimize light and monitor arm interference.

IF THE SYSTEM HAS THIS TYPE OF LIGHT:	INSTALL THE MONITOR MOUNT HERE:	
	Primary Recommendation	Secondary Recommendation
Track-Mounted Ceiling Light	C2*	S1 or S2
Fixed-Mount Ceiling Light	C1	S1 or S2
Chair Mount Light	S1 or S2	C1
Preference-Mounted Light	S1 or S2	C1

\* If installing at C2, position the monitor mount a minimum of 6-1/2" (165 mm) in front of the track light (towards 12 o'clock).

\* NOTE: C2 position restricts comfortable use of monitor to only supine patient position.



#### A-dec Headquarters

2601 Crestview Drive Newberg, Oregon 97132 USA

Tel: 1.800.547.1883 Within USA /Canada  
Fax: 1.503.538.0276 Within USA /Canada

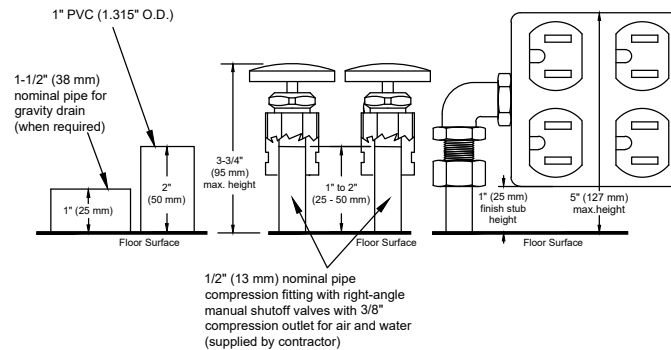
Tel: 1.503.538.7478 Outside USA /Canada  
www.a-dec.com

## Performer B Dental Chair Mini Template

Copyright 2021 A-dec Inc.  
All rights reserved.

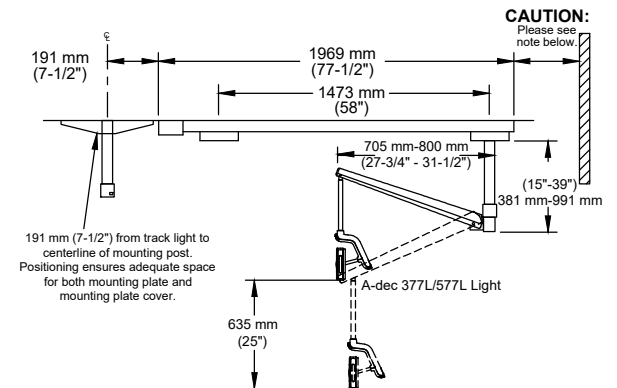
86.0641.00 Rev C

### Performer Plumbing Elevations



PLEASE NOTE: This drawing is for reference purposes ONLY. It is NOT TO SCALE.

### A-dec Track Light



NOTE: If the track opposite the transformer is closer than 9-1/2" (241 mm) from a wall, the trolley and post assembly must be installed before the track is installed on the ceiling.