

A-dec® 342pro/342/542 Side Delivery System

Contents

Pre-Installation Notes and Cautions	1
Wall Construction Requirements	1
Standard Wood Wall Construction.....	1
Non-Standard Wall Construction	1
Clearance Requirements for Non-A-dec Cabinets	2
A-dec 342pro/342.....	2
A-dec 542.....	2
Utility Specifications	3
Electrical Ratings.....	3
Shipping Weights	4
Documentation References	4
Plan Views and Dimensions	5
Utility Placement and Elevation.....	5
Remote Floor Box Utility Connections	6
A-dec 342pro/342, Cabinet Mount.....	7
A-dec 342pro/342, Wall Mount.....	8
A-dec 542, Cabinet Mount.....	9
A-dec 542, Wall Mount.....	10
Cabinet-Mount Bracket and Wall-Mount Backboard ..	11
Cabinet-Mount Bracket Template	11
Wall-Mount Backboard Requirements	14
Wall-Mount Backboard Mini-Template	15



A-dec 542
Side Delivery System

Copyright

© 2023 A-dec, Inc. All rights reserved.

A-dec, Inc. makes no warranty of any kind with regard to this material, including, but not limited to, the implied warranties of merchantability and fitness for a particular purpose. A-dec, Inc. shall not be held liable for any errors contained herein or any consequential or other damages concerning the furnishing, performance or use of this material. The information in this document is subject to change without notice. If you find any problems in the documentation, please report them to us in writing. A-dec, Inc. does not warrant that this document is error-free.

No part of this document may be copied, reproduced, altered, or transmitted in any form or by any means, electronic or mechanical, including photocopying, recording, or by any information storage and retrieval system, without prior written permission from A-dec, Inc.

Intellectual Property Rights

None of the trademarks, trade names, or proprietary symbols and icons in this document may be reproduced, copied, or manipulated in any manner without the express, written approval of the trademark owner.

A-dec, A-dec+, the A-dec design logo, and the trademarks listed at www.a-dec.com/legal/trademarks are A-dec trademarks or registered trademarks in the U.S. and other countries. Certain touch control symbols and icons are proprietary to A-dec, Inc.

Regulatory Information and Warranty

For required regulatory information and the A-dec warranty, see the *Regulatory Information, Specifications, and Warranty* document (p/n 86.0221.00) available in the Resource Center at www.a-dec.com.



For quick access to this document online, scan, tap, or click this QR code, which points to: a-dec.com/regulatory-guide.

Product Service

Product service is available through your local authorized A-dec dealer. For service information, or to locate an authorized dealer, contact A-dec at 1.800.547.1883 in the USA and Canada or +1.503.538.7478 worldwide, or visit www.a-dec.com.

Product Models and Versions Covered in This Document*

Models	Versions	Description
342pro	n/a	Delivery System
342/542	A	Delivery System

* Some products, versions, and options in this document may not be available in certain regions.

Pre-Installation Notes and Cautions



NOTE Job site construction should be completed before the dental equipment installation (including finished floors, ceiling, plumbing, lighting, paint, etc.).



CAUTION Local regulation may require licensed plumbers and electricians to install the utilities. All plumbing and utilities must conform to prevailing local codes.



CAUTION The manner and method for accessing the utilities within the wall is the responsibility of the design team working on the project (dental dealer, architectural services, and contractors). Utilities must be accessible without the use of tools.



CAUTION Consult a licensed professional, e.g., a structural or architectural engineer, for mounting to metal studs or masonry walls.

Wall Construction Requirements

Standard Wood Wall Construction

(With or without utilities) 2" x 6" (38 mm x 140 mm) minimum.

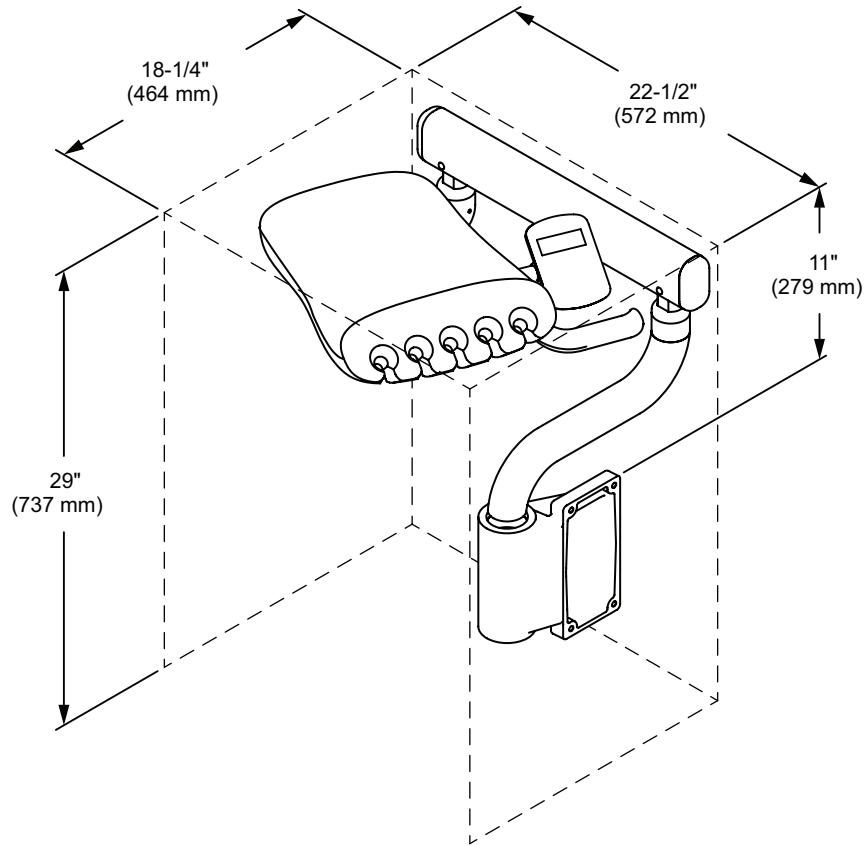
Non-Standard Wall Construction

7 -1/2" (191 mm) depth minimum.

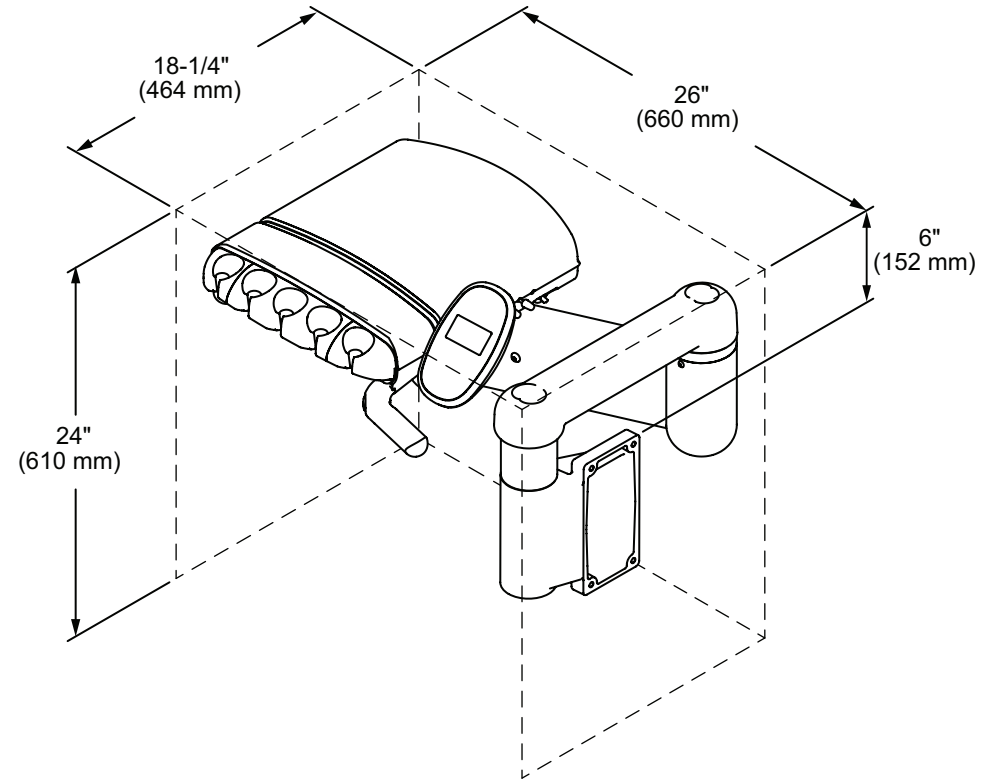
Note. See page 11 - 15 for cabinet-mount bracket and wall-mount backboard information.

Clearance Requirements for Non-A-dec Cabinets

A-dec 342pro/342



A-dec 542



Utility Specifications

Utility	Finish	Requirements
Air	Protrude 1" to 2" (25 mm to 51 mm) for 1/2" (13 mm) compression.	<ul style="list-style-type: none"> Right-angle manual shutoff valve with 3/8" compression outlet supplied and installed by the contractor, with the top of the handle no higher than 3-3/4" (95 mm) above the finished floor. 80-125 psi (550 to 860 kPa), 2.5 scfm (71 SL/min) minimum, during normal use (7.5 scfm [210 SL/min] peak intermittent flow). Flush lines prior to making connections to dental equipment.
Electrical (optional)	1/2" (13 mm) conduit and electrical box with a hospital-grade quad power receptacle.	<ul style="list-style-type: none"> Conduit, electrical box, and power receptacle supplied and installed by the contractor (wired as per code). Electrical box should be oriented vertically, with the top no higher than 5" (127 mm) above the finished floor. See the "Electrical Ratings" table for voltage and amperage ratings.

Electrical Ratings

Power	Required Electrical Supply
240 Volt	220-240 VAC, 50-60 Hz, 5 Amps minimum
120 Volt	110-120 VAC, 50-60 Hz, 10 Amps minimum



NOTE Specifications are subject to change without notice. Requirements may vary depending on your location. For more information, contact your authorized A-dec dealer.



IMPORTANT For additional electrical specifications, identification of symbols, and other regulatory requirements, see the *Regulatory Information, Specifications, and Warranty* document (p/n 86.0221.00) available in the Resource Center at www.a-dec.com.



For quick access to this document online, scan, tap, or click this QR code, which points to: a-dec.com/regulatory-guide.

Shipping Weights

Product/Box	Estimated Shipping Weight
A-dec 342pro Side Delivery System	82 lb (37 kg)
A-dec 342 Side Delivery System	65 lb (29 kg)
A-dec 542 Side Delivery System	94 lb (43 kg)

Documentation References

Document Title	Part Number
<i>A-dec 342/542 Side Delivery System Wall-Mount Backboard Template</i>	85.0049.00
<i>A-dec 342pro/342 Side Delivery System Installation Guide</i>	86.0673.00
<i>A-dec 542 Side Delivery System Installation Guide</i>	86.0467.00

Plan Views and Dimensions

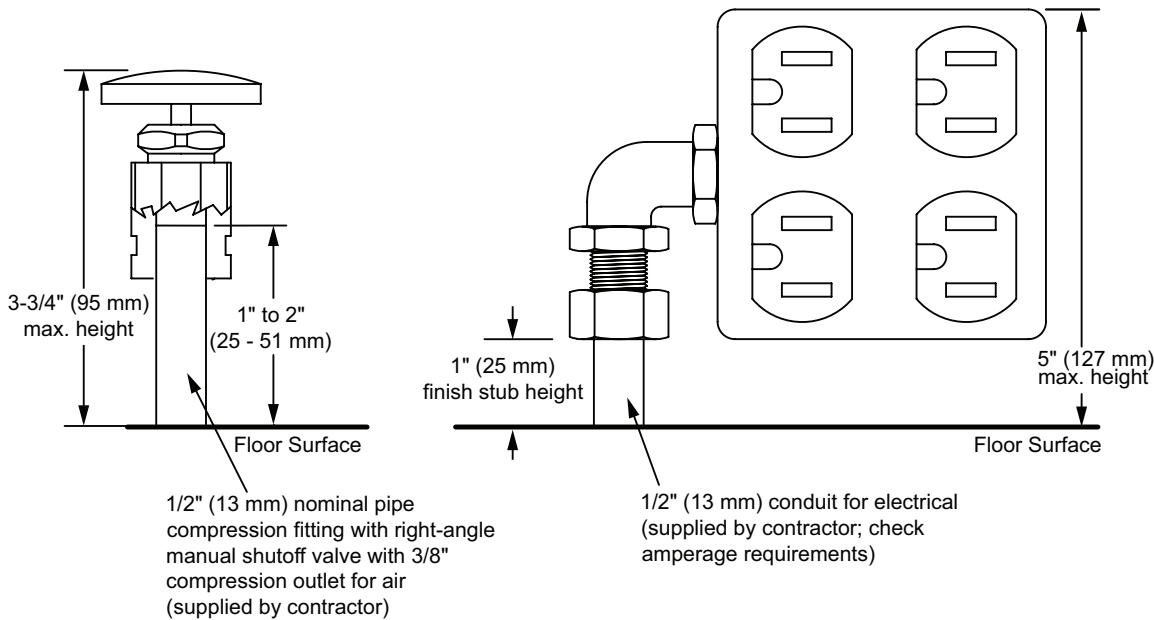


NOTE The dimensional drawings in this section are not to scale and are for reference only. For complete accuracy, use the appropriate full-sized templates.

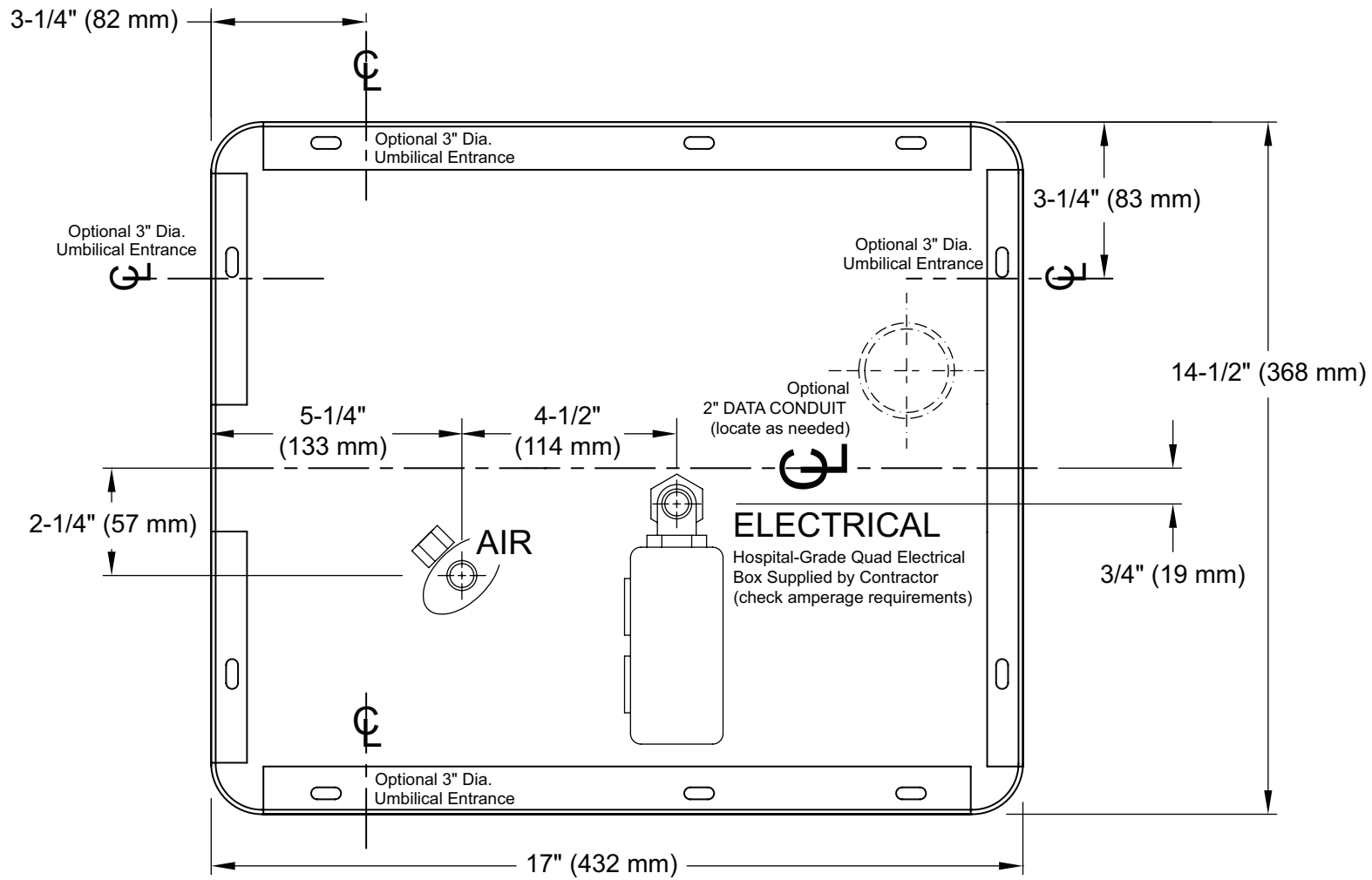
Utility Placement and Elevation



CAUTION Due to specific plumbing elevation restrictions, the height and placement of utilities in the floor box can affect the ability to use the floor box cover. Failure to provide adequate space will prevent installation and removal of the cover. See the elevations provide here and reference the appropriate full-size template, which includes the required space constraints.

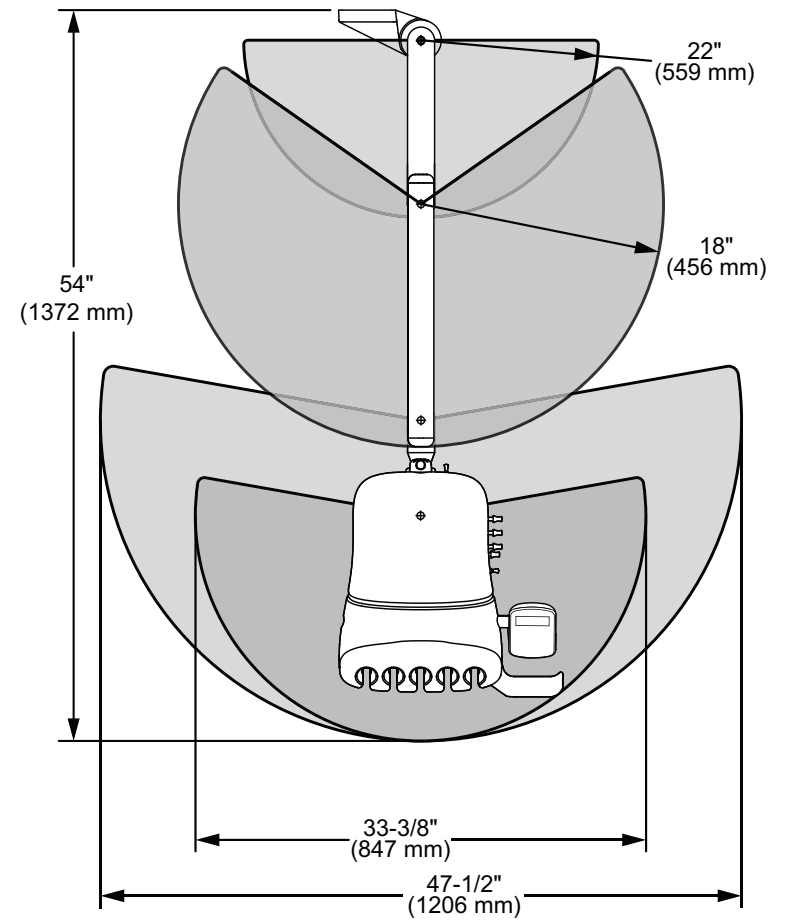
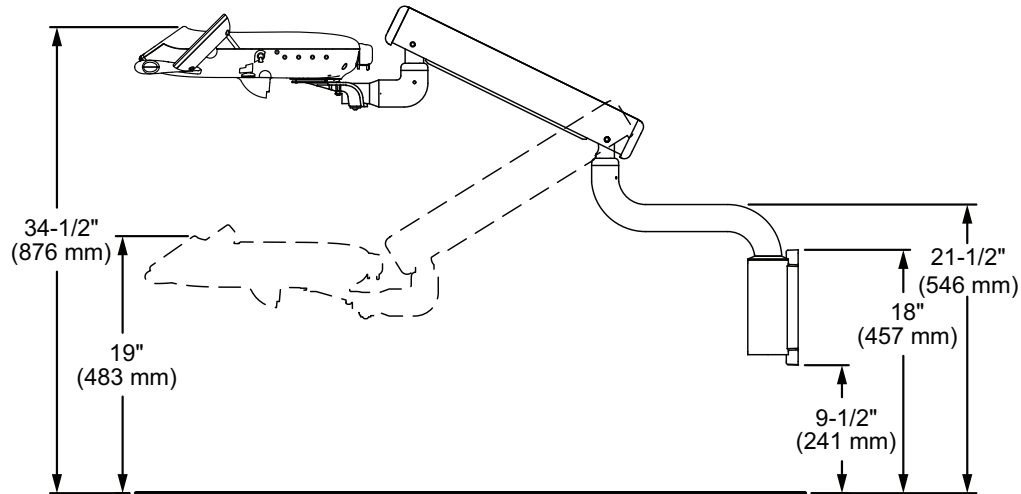
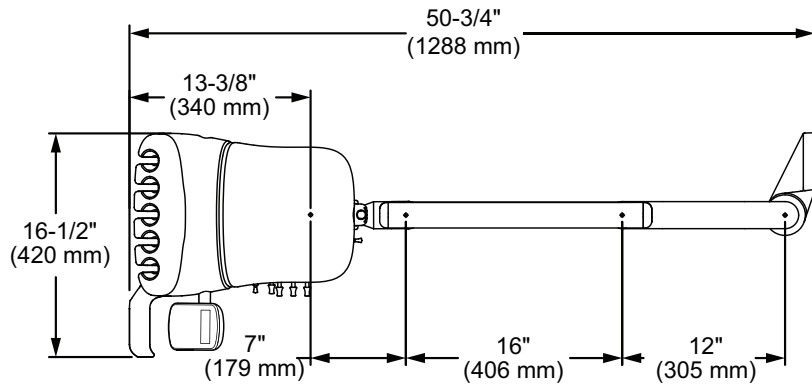


Remote Floor Box Utility Connections



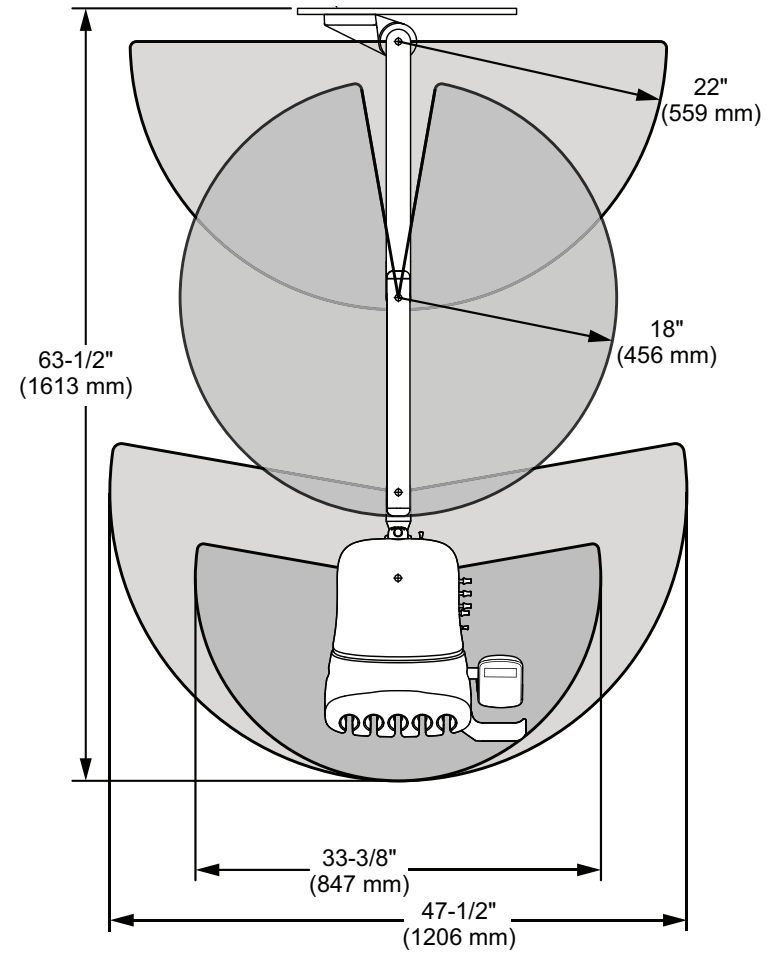
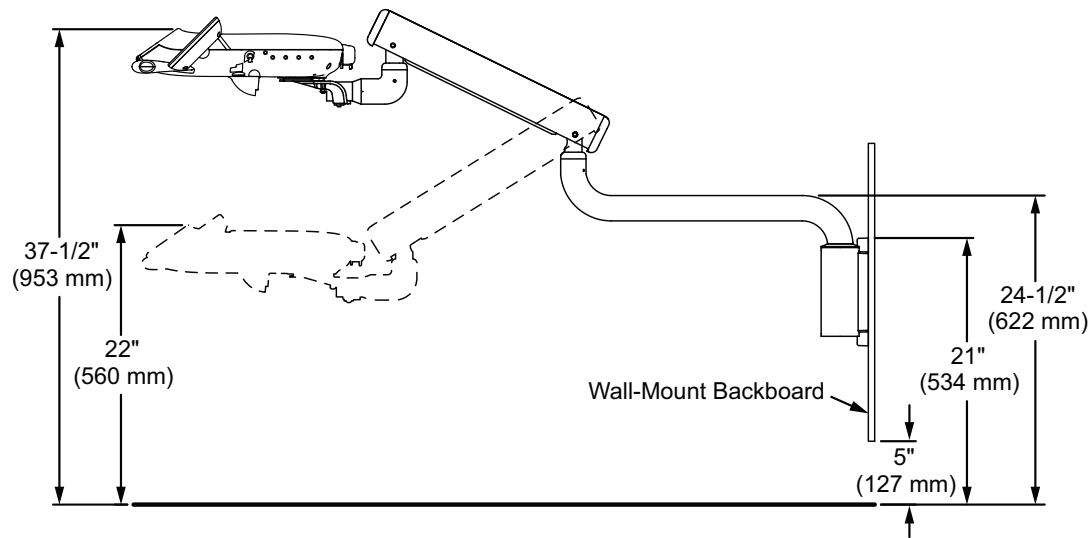
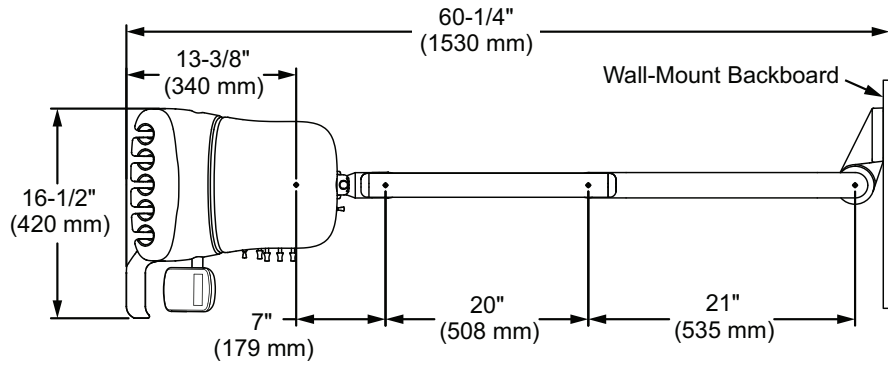
A-dec 342pro/342, Cabinet Mount

Plan View with Elevation



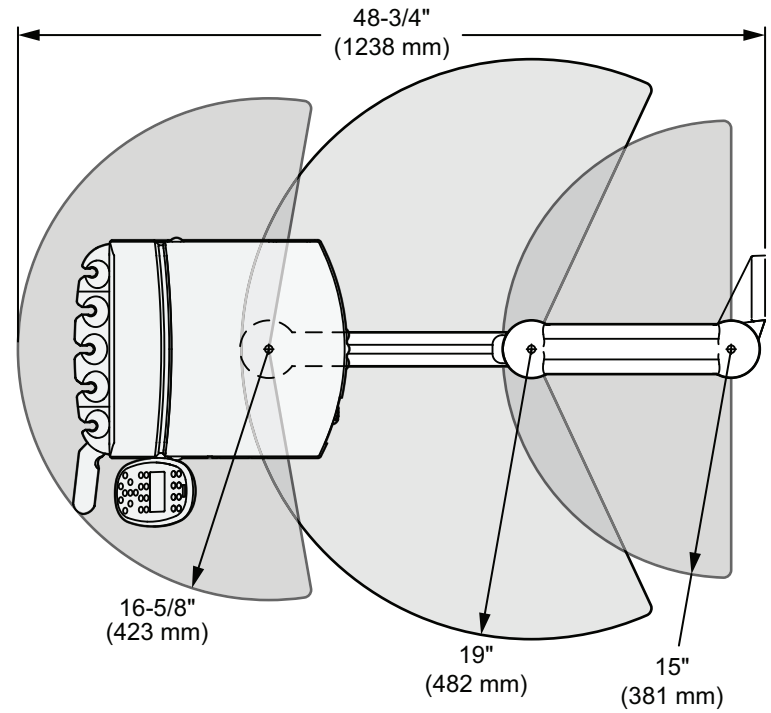
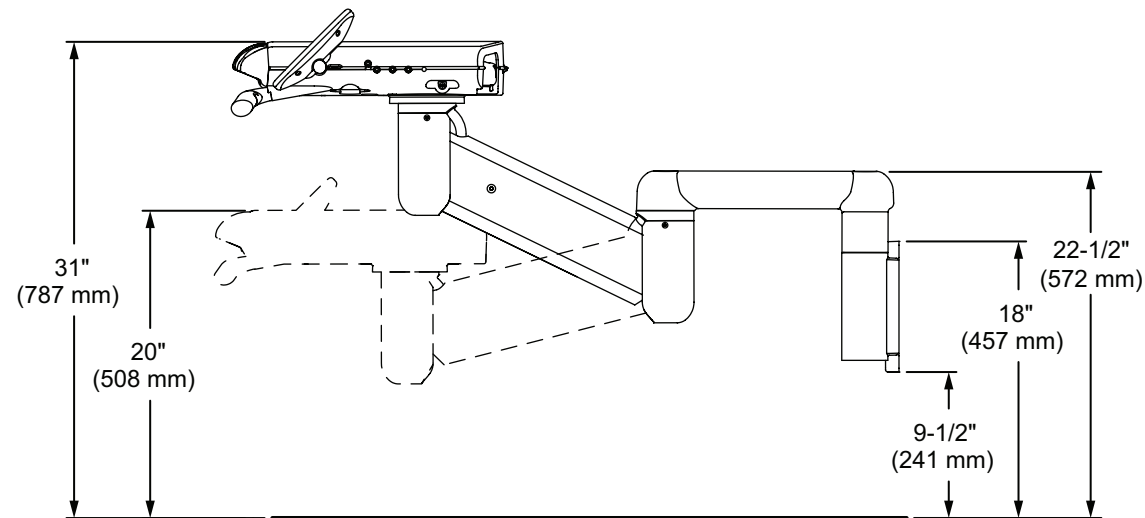
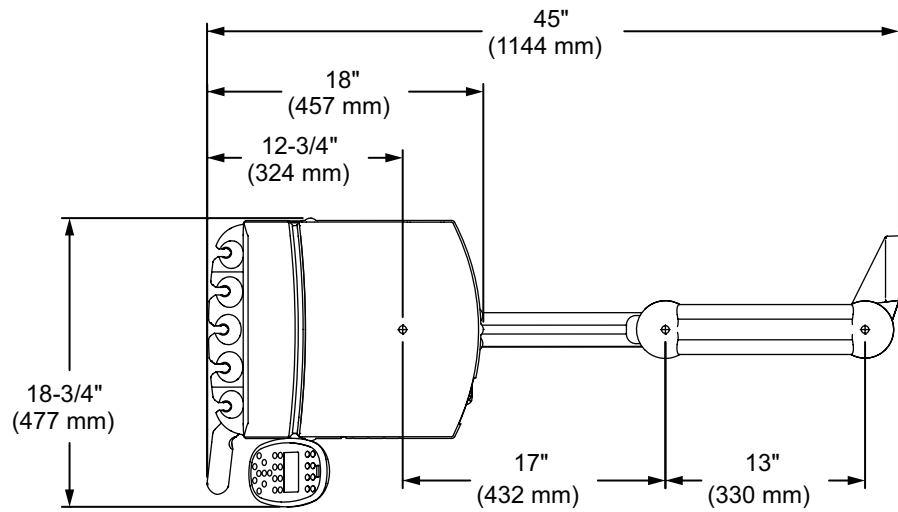
A-dec 342pro/342, Wall Mount

Plan View with Elevation



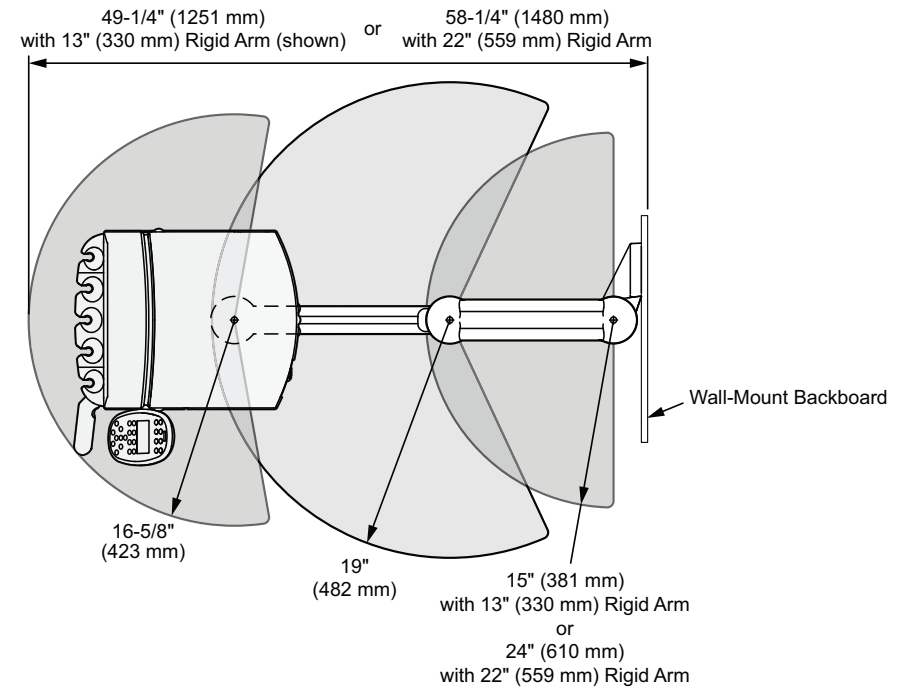
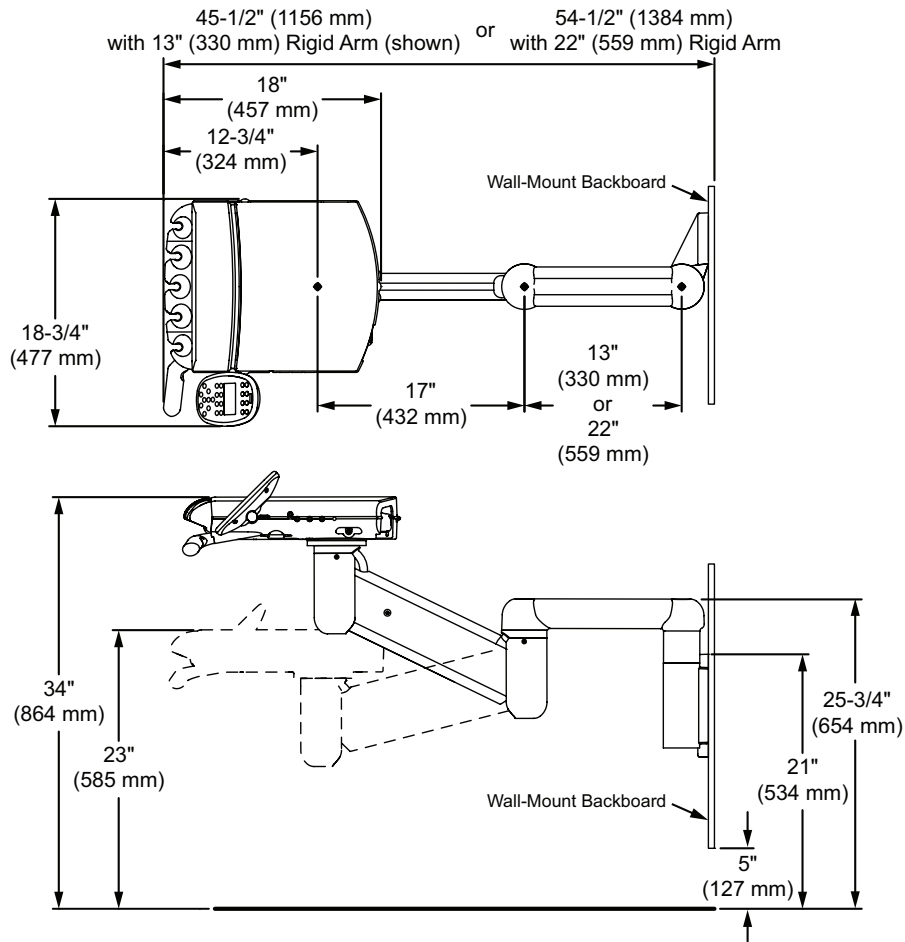
A-dec 542, Cabinet Mount

Plan View with Elevation



A-dec 542, Wall Mount

Plan View with Elevation

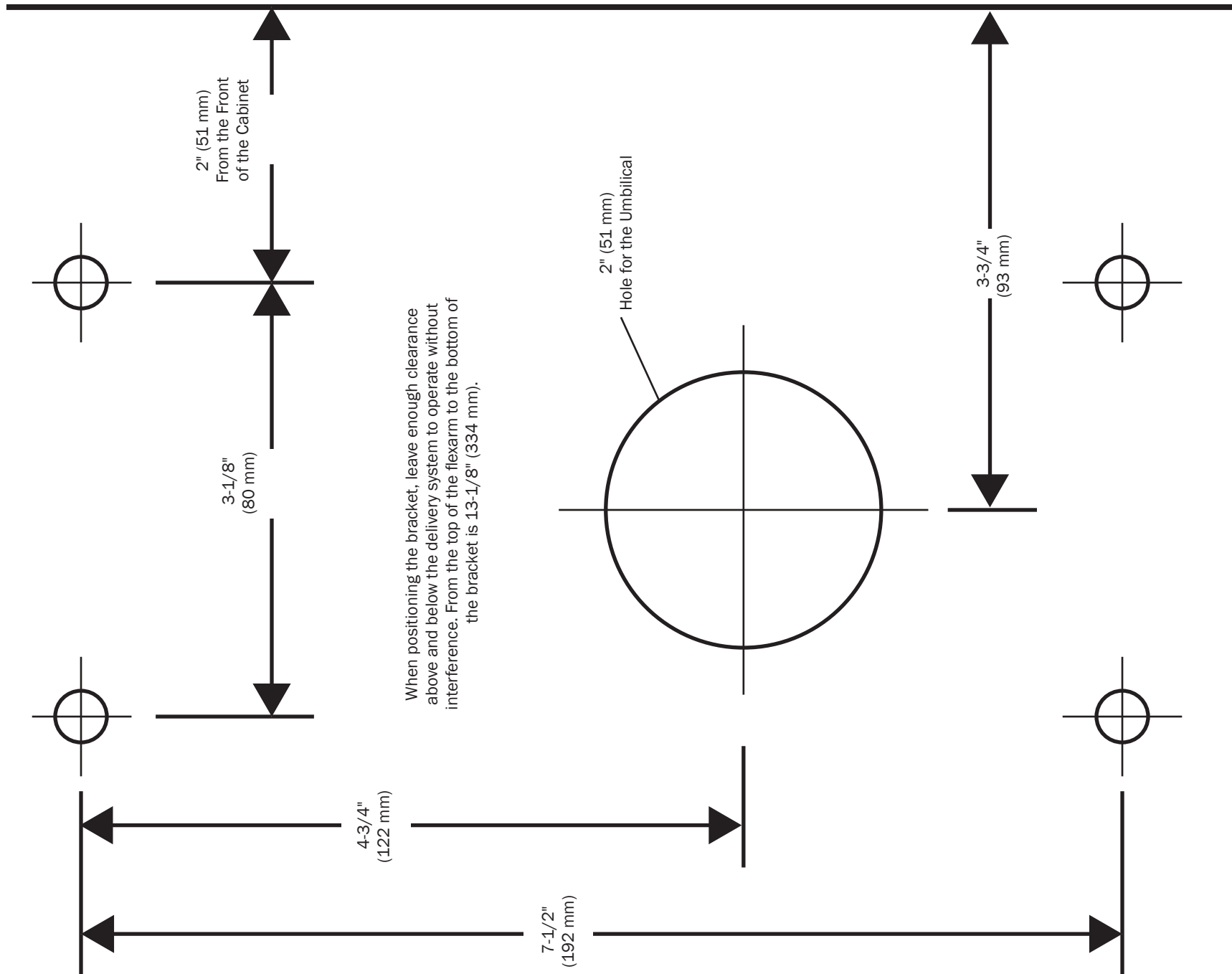


Cabinet-Mount Bracket and Wall-Mount Backboard

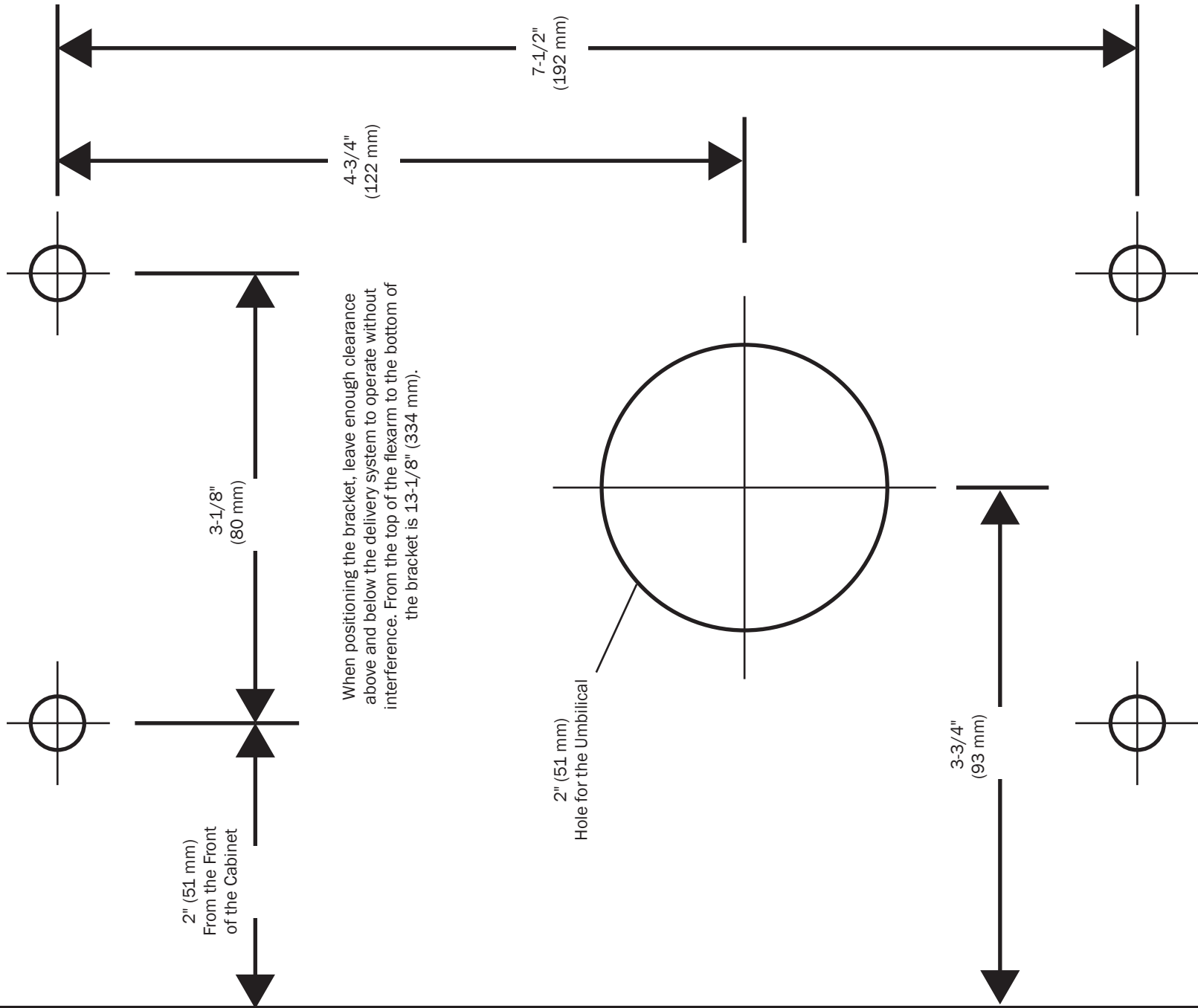
Cabinet-Mount Bracket Template

1. Print the Mounting Bracket Template on page 12 or 13.
2. Align the template with the front edge of the cabinet. Make sure to orient the template from the front of the cabinet.

Mounting Bracket Template (Right-Hand Setup)



Mounting Bracket Template (Left-Hand Setup)



Wall-Mount Backboard Requirements



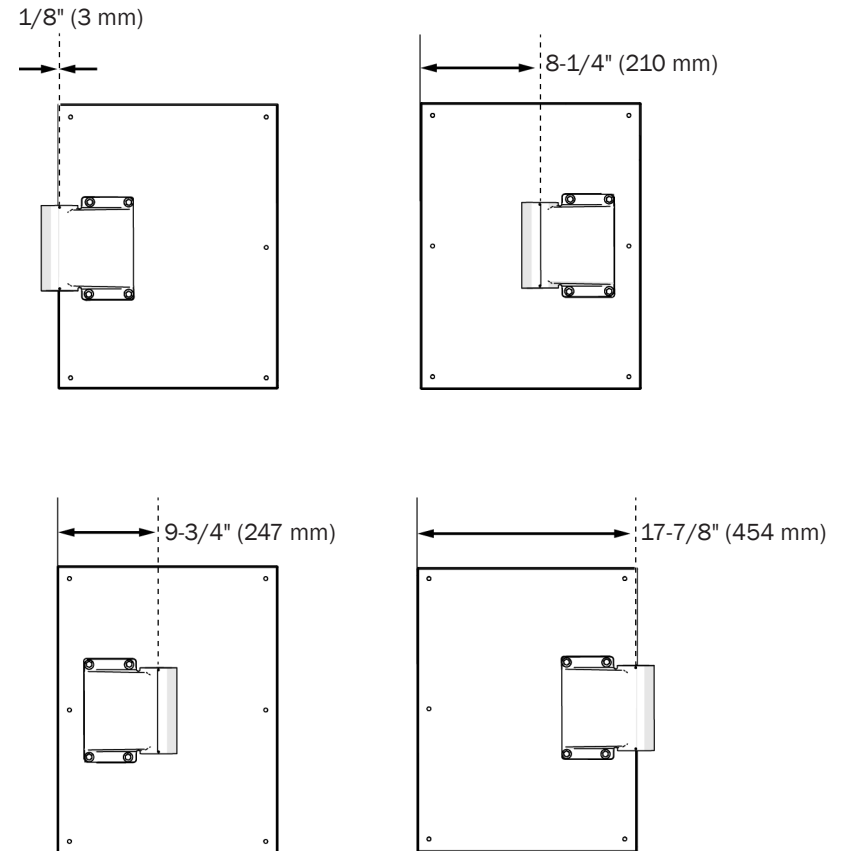
WARNING You must mount the backboard securely to permanent wall studs. A-dec will not assume responsibility for any damage resulting from the use of incorrect fasteners.

Backboard mounting location:

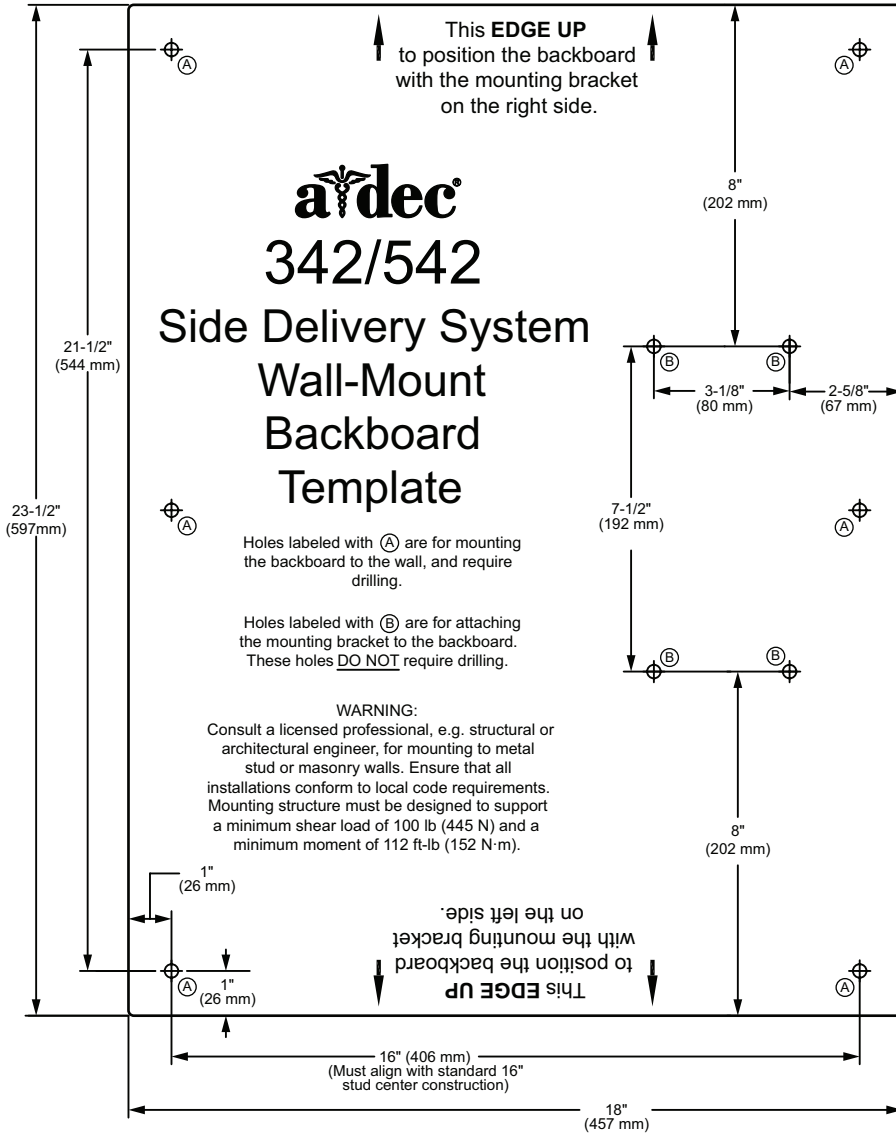
- Maximum arm extension as measured from the backboard:
 - A-dec 542: 45-1/2" (1156 mm) for a 13" (330 mm) rigid arm
 - A-dec 542: 54-1/2" (1384 mm) for a 22" (559 mm) rigid arm
 - A-dec 342pro/342: 60-1/4" (1530 mm)
- Recommended distance from the bottom of the backboard to the floor is 5" (127 mm). Adjust its position according to the office space and the preferences of the doctor.

Backboard and Bracket Mounting Position Options

Distances are measured from the edge of the backboard to the center of the rigid arm position in the mounting bracket.



Wall-Mount Backboard Mini-Template



IMPORTANT For the full-size template, see the *A-dec 342/542 Side Delivery System Wall-Mount Backboard Template* (p/n 85.0049.00) in Partner Resources at partnerresources.a-dec.com.



 **A-dec Headquarters**

2601 Crestview Drive
Newberg, Oregon 97132
United States
Tel: 1.800.547.1883 within USA/CAN
Tel: +1.503.538.7478 outside USA/CAN
www.a-dec.com

A-dec Australia

Unit 8
5-9 Ricketty Street
Mascot, NSW 2020
Australia
Tel: 1.800.225.010 within AUS
Tel: +61.(0).2.8332.4000 outside AUS

A-dec China

A-dec (Hangzhou) Dental Equipment Co., Ltd.
Building 5, No. 528 Shunfeng Road
Tangqi Town, Yuhang District,
Hangzhou, Zhejiang, China 311100
Tel: 400.600.5434 within China
Tel: +86.571.89026088 outside China

A-dec United Kingdom

Austin House
11 Liberty Way
Nuneaton, Warwickshire CV11 6RZ
England
Tel: 0800.ADEC.UK (2332.85) within UK
Tel: +44.(0).24.7635.0901 outside UK

86.0035.00 Rev E
Date of Issue 2023-06-27
Copyright 2023 A-dec, Inc.
All rights reserved.