



PRE-INSTALLATION GUIDE

A-dec Dental Furniture

For Preference Collection,[®] Preference ICC,[®] and Preference Slimline[™]

Copyright

© 2015 A-dec Inc. All rights reserved.

A-dec Inc. makes no warranty of any kind with regard to this material, including, but not limited to, the implied warranties of merchantability and fitness for a particular purpose. A-dec Inc. shall not be held liable for any errors contained herein or any consequential or other damages concerning the furnishing, performance or use of this material. The information in this document is subject to change without notice. If you find any problems in the documentation, please report them to us in writing. A-dec Inc. does not warrant that this document is error-free.

No part of this document may be copied, reproduced, altered, or transmitted in any form or by any means, electronic or mechanical, including photocopying, recording, or by any information storage and retrieval system, without prior written permission from A-dec Inc.

Trademarks and Additional Intellectual Property Rights

A-dec, the A-dec logo, A-dec 500, A-dec 300, Cascade, Cascade Master Series, Century Plus, Continental, Decade, ICX, ICV, Performer, Preference, Preference Collection, Preference ICC, and Radius are registered in the United States and other countries. A-dec 200, Preference Slimline, and reliablecreativesolutions are also trademarks of A-dec Inc. None of the trademarks or trade names in this document may be reproduced, copied, or manipulated in any manner without the express, written approval of the trademark owner.

Certain touchpad symbols are proprietary to A-dec Inc. Any use of these symbols, in whole or in part, without the express written consent of A-dec Inc., is strictly prohibited.

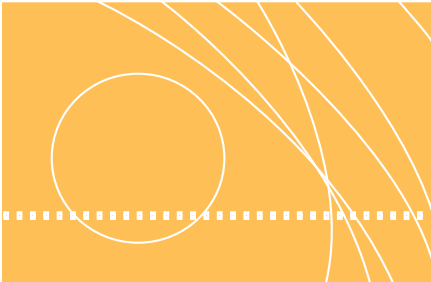
Regulatory Information

The *Regulatory Information and Specifications* document is delivered with A-dec dental device equipment as mandated by agency requirements. If you need this information, please go to the Document Library at www.a-dec.com.

Product Service

For service information, contact your local authorized A-dec dealer. To find your local dealer, go to www.a-dec.com.

CONTENTS



INTRODUCTION	1		
Things to Note	2		
Preference Collection® Return Policy.....	2		
Accessory Console and Plumbing Templates	2		
Document Information.....	2		
Other Sources of Information.....	3		
Pre-Installation Notes and Cautions	3		
Electrical Specifications	4		
Electrical Rough-In	4		
Electrical Configuration	5		
Floor Mounting.....	6		
Concrete Floors	6		
Non-Concrete Floors	7		
PREFERENCE COLLECTION	9		
Estimated Shipping Weights	10		
Wiring Diagrams	11		
5543 Central Console: 99", 106", and 113" w/sink.....	11		
5531 Accessory Console Floor-Mount.....	12		
5731 Upper Storage Unit Wall-Mount	12		
5580 Treatment Console Floor-Mount			
42" Center Module (base only).....	13		
69" Center Module w/1 sink module (base only).....	13		
96" Center Module w/2 sink modules (base only)	13		
5580, 5562, and 5662			
5580 Treatment Console Floor-Mount	14		
5562 Treatment Column Floor-Mount	14		
5662 Treatment Column Insert Wall-Mount	14		
Utility Specifications.....	15		
Loop Vent Diagram	16		
Universal 5543	16		
5531 Accessory Console	16		
Mounting Specifications	17		
5631 Wall-Mount Accessory Console	17		
5730 Dispenser Unit or 5731 Storage Unit.....	19		
Framing Dimensions	21		
5662 34" and 42" Treatment Column Insert <i>with Pass-Through</i>	21		
5662 34" and 42" Treatment Column Insert <i>with Non-Pass-Through</i> ..	22		
Framing Specifications	23		
5731 Upper Storage Insert	23		
X-Ray Storage Insert	25		
Templates and Utilities	27		
5531 and 5631 30" Accessory Console.....	27		
5531 and 5631 44" Accessory Console.....	28		
5531 and 5631 58" Accessory Console.....	29		
5531 and 5631 72" Accessory Console.....	30		
5531 and 5631 86" Accessory Console.....	31		
5631 Wall-Mount Accessory Console	32		
5531 Floor-Mounted Utilities Template.....	33		

A-dec Dental Furniture Pre-Installation Guide

5531 and 5631 Wall-Mounted Utilities.....	34	Back Panel Templates.....	64
5543 Round/Square-End Central Console.....	35	CSD3 Module	64
5562 Treatment Column 34" and 42".....	36	CSS4 Module	65
Wall-Mounted Utilities (optional).....	37	CLS5 Module.....	66
5580 Treatment Console 42", 69", and 96".....	38	CTP4 Module.....	67
5580 Treatment Console Plumbing (Wall-Mounted Utilities).....	39	C2S2B Module.....	68
5662 Treatment Insert 34" and 42".....	40	CSS1 Module	69
Full-Size Template Reference	41	CST1-12 Module.....	70
PREFERENCE ICC	43	CST1-25 Module.....	71
Estimated Shipping Weights	44	CRNR Module.....	72
Utility Specifications.....	45	PREFERENCE SLIMLINE	73
Electrical	46	Estimated Shipping Weights.....	74
Ventilation Fan in Clean Module, Sterile Storage Area	46	Mounting Specifications	75
Ancillary Devices	46	5636 Utility Console, Wall-Mount.....	75
General Considerations	46	Framing and Reinforcing Specifications.....	76
Optional Dryer	46	5636 Utility Console, Wall-Mount.....	76
Canadian Wiring Kit	46	Framing.....	76
Task Lights.....	47	Reinforcing	77
Spotting Back Panel Locations	48	Utility Specifications.....	79
Utility Templates.....	49	5536 18" Utility Console	80
SWD2 Module	49	5536 34" Utility Console	81
SLDW2 / SLDW3 Module.....	50	Left-Side Delivery.....	81
SSD3 Module	51	Right-Side Delivery	82
SWS0 Module	52	5537 18" Utility Console	83
MSRU Module.....	53	5537 34" Utility Console	84
MSLW Module	54	Left-Side Delivery.....	84
MSLD Module	55	Right-Side Delivery	85
MSRW Module.....	56	5636 18" Utility Console Wall-Mount	86
MSRD Module.....	57	Optional Utilities	87
MSSD Module	58	5636 34" Utility Console	88
MPS4 Module	59	Left-Side Delivery.....	88
MDM5 Module.....	60	Right-Side Delivery	90
MSMD Module.....	61	Full-Size Template Reference.....	92
MDK0 Module.....	62		
MWMD Module.....	63		



INTRODUCTION

This guide provides detailed technical information on electrical, utility, plumbing specifications, and diagrams, as well as mini templates.

Information presented in this document will assist you to:

- Specify required plumbing and utilities
- Specify framing and construction requirements
- Wire individual units
- Mount and secure cabinetry

PREFERENCE COLLECTION
Framing Dimensions ■ 5662 34" and 42" Treatment Column Insert with Pass-Through

FRAMING DIMENSIONS

5662 34" and 42" Treatment Column Insert with Pass-Through

Knowledge of the product configuration is necessary to determine rough-in dimensions.

Framing Option	Pass-Through Location
Shelf and Accessory Panel MSTCC-15	72-1/2" Top of Upper 50-7/8" Bottom of Upper
Flip-down Door and Accessory Panel MSTCC-16	72-1/2" Top of Upper 50-7/8" Bottom of Upper
Flip-down Door and Shelf MSTCC-171	72-1/2" Top of Upper 50-7/8" Bottom of Upper

There has been 3/2" (12.7 mm) overall added to the dimensions for placement of cabinet.

Figure 13. Framing Dimensions - 5662 Treatment Column Pass-Through

86.0142.00 Rev L aTdec® 21

THINGS TO NOTE

As you use this document to guide you through the technical specifications, note the following:

- The minimum requirements for attachment and for wall construction have been determined by an independent structural engineering company. Documented detail is available from A-dec.
- Shipping weights, hanging weights and mounting specifications in this document are for standard Preference products. Modifications or customizations may affect these specifications.
- Local regulations provide that licensed plumbers and electricians shall install utilities.
- All utilities must conform to NFPA, local fire codes and local regulations, as applicable.
- For the accessory consoles, utilities must be plumbed through the wall or subbase of the cabinet.
- There are several areas in the console subbase where the utilities can be plumbed.
- The drawings provided in this guide are for reference only. They are *not* drawn to scale.



CAUTION Consult a licensed professional, i.e. structural or architectural engineer, for mounting to metal studs or masonry walls.

Preference Collection® Return Policy

Preference Collection products cannot be returned for credit.

Accessory Console and Plumbing Templates

These templates included target symbols:



Indicates datum points for standard and optional stubs.



Indicates end of countertop or extent of console.

Document Information

Intended Audience

This guide is for contractors, plumbers, electricians, carpenters, designers, architects and others who are involved in designing and remodeling dental treatment rooms that accommodate Preference Collection products.

Consult a licensed professional, i.e. structural or architectural engineer, for mounting to metal studs or masonry walls. Ensure that all installations conform to local code requirements.

Disclaimer

This written material is not intended to be, and should not be, used as a substitute for compliance with local, state, federal code, and American with Disabilities Act. It is the responsibility of the user to integrate the A-dec equipment specifications presented herein with the regulations and codes overseen by local planning and inspection authorities.

Other Sources of Information

The *A-dec Dental Furniture Pre-Installation Guide* is just one offering in A-dec's documentation set that provides technical product information, which covers proper installation and maintenance of Preference Collection. Other associated documents include:

A-dec Design Toolbox

Contains drawing and visualization blocks that you can use to quickly and efficiently layout a treatment room space.

Full-Size Templates

Provide accurate footprints for the Preference Collection and Preference Slimline™ product lines. They are designed to assist you in spotting and positioning A-dec products whether on the construction job site or in a completed treatment room. The full-size templates provide plumbing and utility locations, mounting clip positions, metal subbase structure and critical dimensions.

Installation Guides

Contain procedures designed to help you install Preference Collection cabinetry.

A-dec Equipment Catalog

Provides comprehensive product detail that walks you through identifying the cabinet models, choosing models and options and selecting accent and decor color

Pre-Installation Notes and Cautions



NOTE Job site construction should be completed before dental equipment installation (including finished floors, ceiling, plumbing, lighting, paint, etc.).



CAUTION Local regulation requires licensed plumbers and electricians to install utilities. All plumbing and utilities must conform to prevailing local codes.



CAUTION The manner and method for accessing utilities within the wall is the responsibility of the design team working on the project (dental dealer, architectural services, and contractors). Utilities must be accessible without the use of tools.

ELECTRICAL SPECIFICATIONS

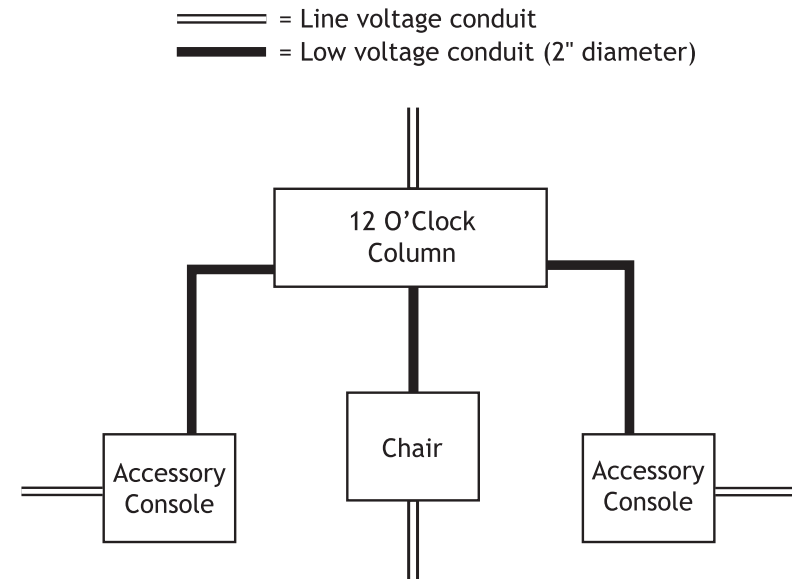
Electrical Rough-In

A contractor should supply the x-ray junction box, wiring, conduit and flex conduit. The conduit must protrude 3" (76.2 mm) from the finished floor.

Use the flex conduit, as required, to connect the 3" (76.2 mm) piece from the floor to the junction box. Wire as per local and national electrical codes.

The low voltage conduit is used for routing data lines and touchpad wires, not for line voltage.

Figure 1. Electrical Rough-In Example



Electrical Configuration

Table 1. Operating Current for Ancillary Devices

Ancillary Device	Operating Current (Amps) @ 110-120 VAC
A-dec Preference Collection task light	0.3
A-dec 300-watt power supply	2.8
A-dec 17-watt power supply	0.2
Monitor, typical	1.1
Intraoral camera, typical	2.0
Curing light	2.0
Amalgamator, typical	2.3
Ultrasonic scaler, typical	0.9
X-ray viewer, typical	0.4



NOTE Connect incoming power to each cabinet to a 20-amp circuit breaker. Table 1 shows typical current draw for various devices that might be installed in a cabinet. Always consult device name plate for actual power requirements. Mobile equipment may have substantial power requirements and should be considered when determining total treatment room branch circuits.

Task Lighting

Power switch locations for Preference Collection task lights:

- Stack switch located on the 12 o'clock console
- Power switch located on each device: Doctor's, Assistant's, and 12 o'clock task light

FLOOR MOUNTING

Concrete Floors

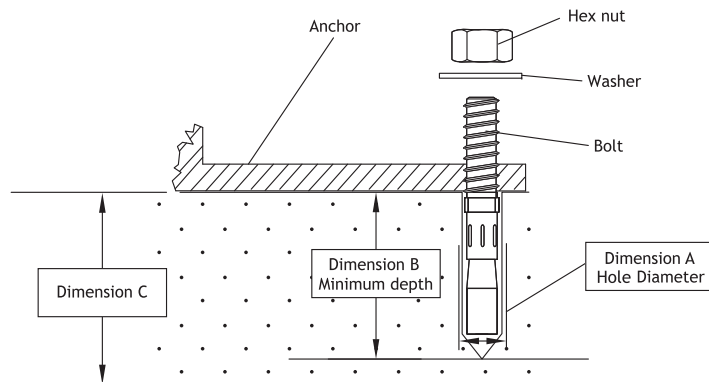
Table 2. Concrete Floor Mounting Chart

Anchor	Dimension A Diameter Hole	Dimension B Minimum Depth	Fastener	Part Number
Preference Collection Subbase Clips	1/2" (12.7 mm)	3-1/2" (88.9 mm)	Stud, anchor, 1/2-13 x 5-1/2"	038.034.00
Preference ICC Leg Anchor	1/2" (12.7 mm)	3-1/2" (88.9 mm)	Stud, anchor, 1/2-13 x 5-1/2"	038.034.00
5543 X-Ray Column Anchor	1/2" (12.7 mm)	3-1/2" (88.9 mm)	Stud, anchor, 1/2-13 x 5-1/2"	038.034.00
A-dec 500® 541/545 Mount	1/2" (12.7 mm)	2-3/4" (69.9 mm)	Stud, anchor, 1/2-13 x 4-1/4"	038.004.00



NOTE Dimension C per architectural drawings. Anchors are only approved for use in slabs greater than 5" (127 mm) thick. If concrete does not meet minimum requirements, consult with a licenced engineer for alternate anchors.

Figure 2. Floor-Mounting - Concrete



Non-Concrete Floors

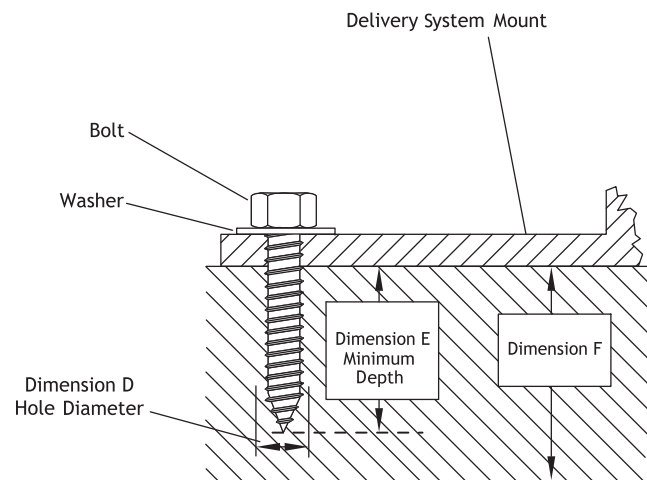
Table 3. Non-Concrete Floor Mounting Chart

Anchor	Dimension D Diameter Hole	Dimension E Minimum Embedment Depth	Fastener	Part Number
Preference Collection Subbase Clips	9/32" (7.1 mm)	1-1/2" (38.1 mm)	Lag screw, hex-head screw, 3/8 x 2-1/2"	003.067.00
Preference ICC Leg Anchor	3/8" (9.5 mm)	2-1/2" (63.5 mm)	Lag screw, hex-head screw, 1/2 x 3-1/2"	003.048.00
5543 X-Ray Column Anchor	3/8" (9.5 mm)	3-1/4" (82.6 mm)	Lag screw, hex-head screw, 1/2 x 3-1/2"	003.048.00
Cascade® 3171/3175 Mount	3/8" (9.5 mm)	3-1/4" (82.6 mm)	Lag screw, hex-head screw, 1/2 x 3-1/2"	003.048.00
A-dec 541/545 Mount	3/8" (9.5 mm)	3-1/4" (82.6 mm)	Lag screw, hex-head screw, 1/2 x 3-1/2"	003.048.00



NOTE Dimension F, per architectural drawings, must exceed minimum embedment depth for lag screw application. If the flooring material does not meet minimum requirements, consult your licensed contractor about adding reinforcements.

Figure 3. Floor-Mounting - Non-Concrete



A-dec Dental Furniture Pre-Installation Guide



PREFERENCE COLLECTION

Preference Collection is a complete line of modular dental furniture that can be custom configured to meet various needs.

This section of the *Dental Furniture Pre-Installation Guide* includes:

- Estimated Shipping Weights
- Wiring Diagrams
- Utility Specifications
- Loop Vent Diagram
- Mounting Specifications
- Framing Dimensions
- Framing Specifications
- Full-Size Template Reference



ESTIMATED SHIPPING WEIGHTS

Preference Collection

Table 4. Estimated Shipping Weights (laminite, solid surface / Quartz)

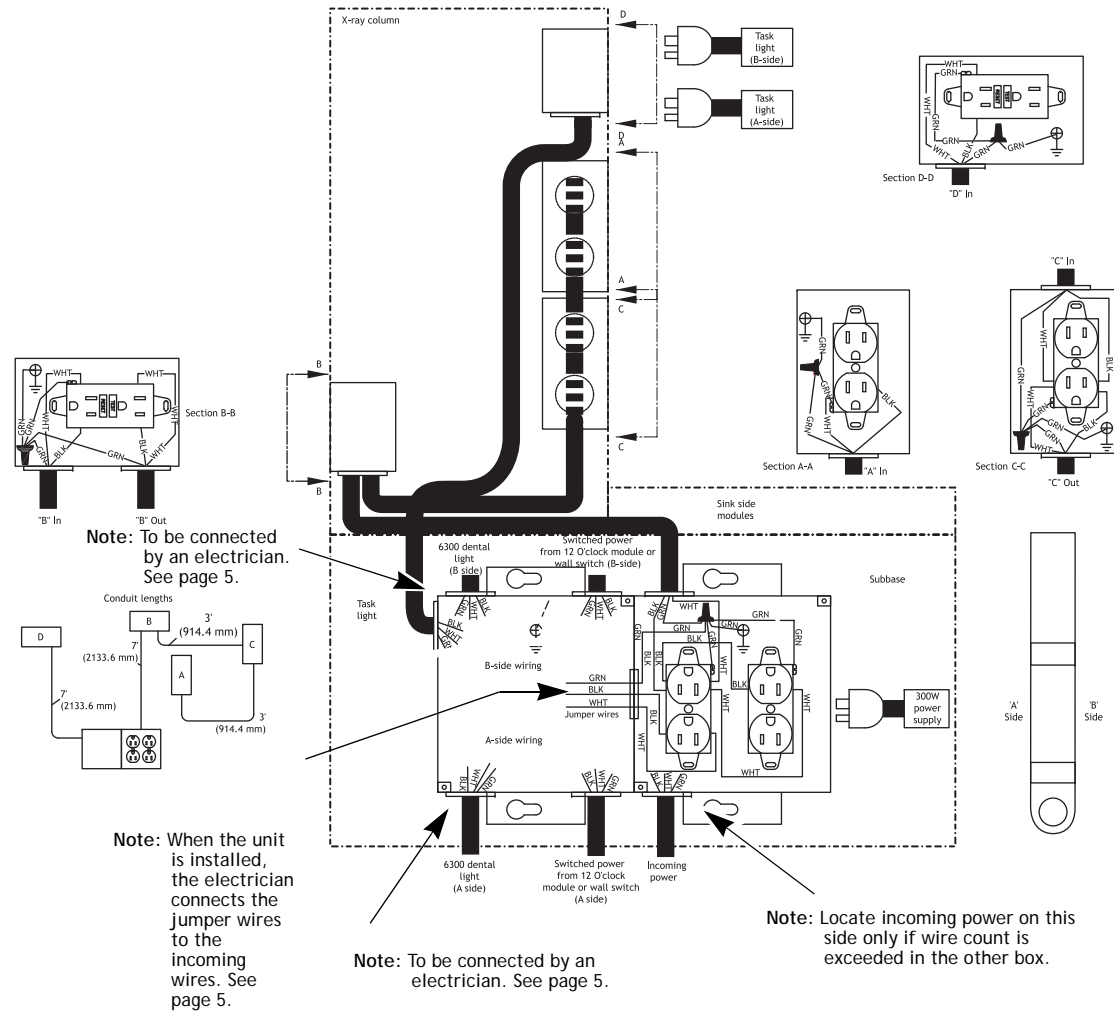
Model Number	Pounds	Kilograms
5562.34	500	227
5562.42	621	282
5662.34	424	192
5662.42	519	235
5580.42	677 / 692	307 / 314
5580.69	770 / 794	349 / 360
5580.96	930 / 964	422 / 437
5543.SP	920 / 940	417 / 427
5543.SB	1080 / 1090	490 / 495
5543.TB	1800 / 1810	816 / 823
5531.30	211 / 221	96 / 100
5531.44	296 / 310	134 / 141
5531.58	380 / 400	172 / 182
5531.72	475 / 499	215 / 227
5531.86	580 / 609	263 / 277
5731.22	60	27
5730.29	78	35
5732.43	223	101
5732.49	252	114
5731.22	85	39

Model Number	Pounds	Kilograms
5731.29	107	47
5731.34	116	53
5731.42	169	77
5631.30	165 / 175	75 / 80
5631.44	228 / 242	103 / 110
5631.58	291 / 311	132 / 141
5631.72	364 / 388	165 / 176
5631.86	447 / 476	203 / 216

WIRING DIAGRAMS

5543 Central Console 99", 106", and 113" w/sink

Figure 4. Wiring Diagram - 5543 Central Console



5531 and 5731

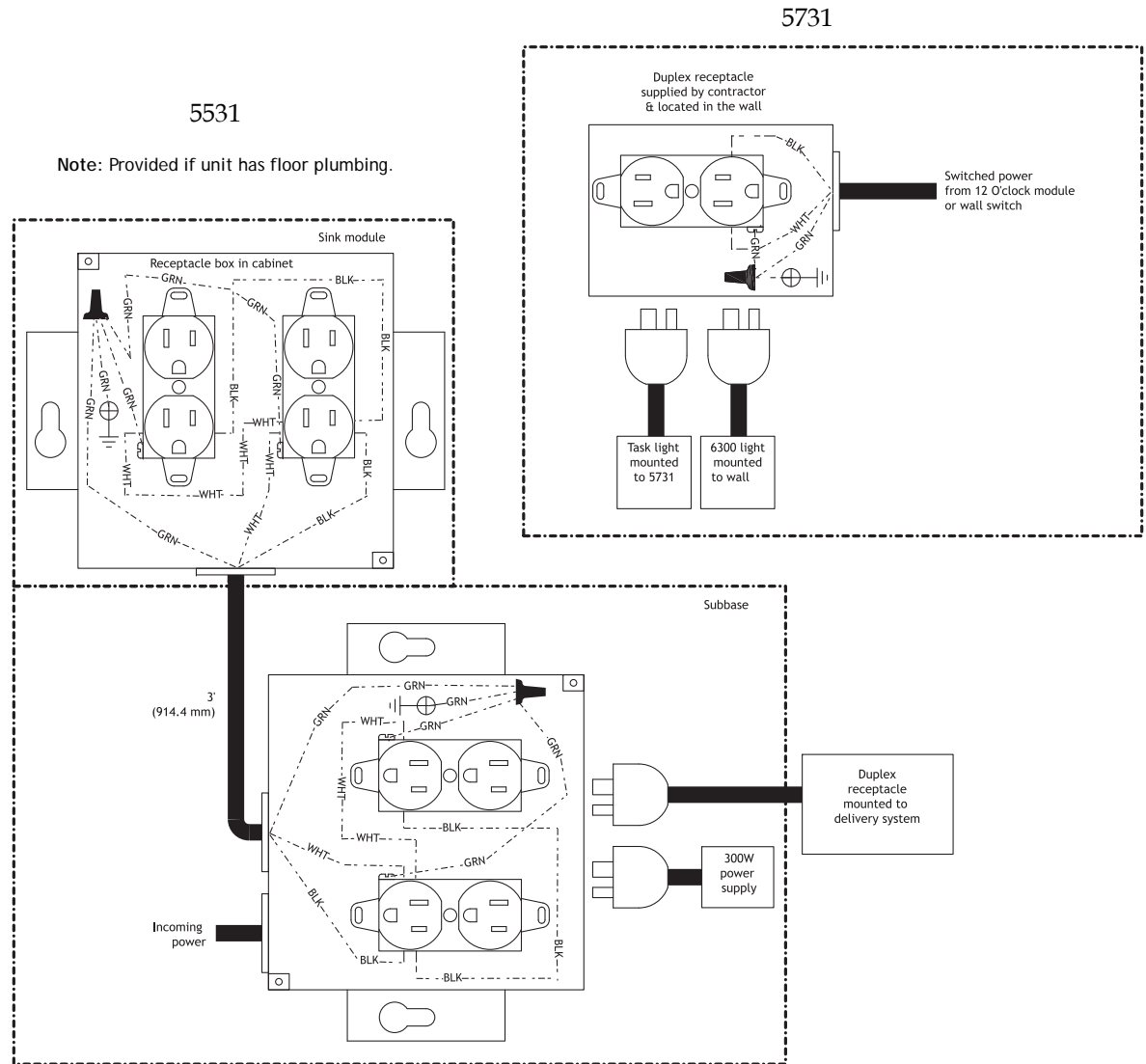
5531 Accessory Console Floor-Mount

30", 44", 58", 72", and 86" w/sink

5731 Upper Storage Unit Wall-Mount

22", 29", 34", and 42" w/task light

Figure 5. Wiring Diagram - 5531 Accessory Console and 5731 Upper Storage Unit



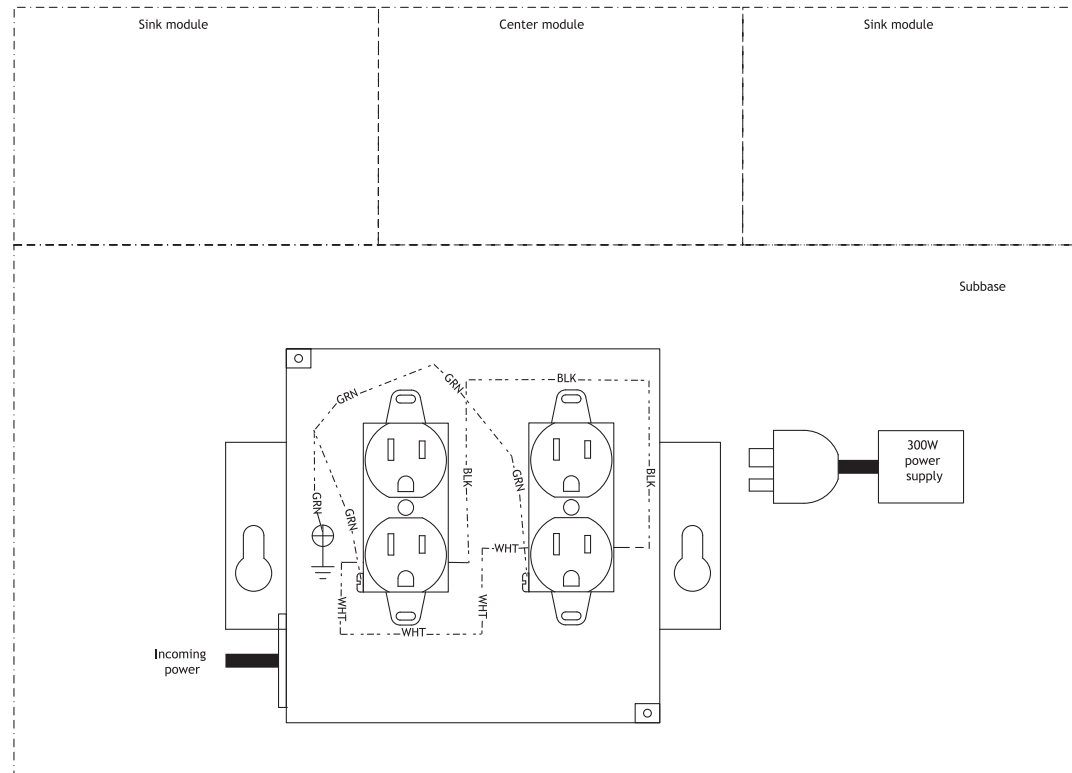
5580

Treatment Console Floor-Mount
42" Center Module
(base only)

Treatment Console Floor-Mount
69" Center Module
w/ 1 sink module (base only)

Treatment Console Floor-Mount
96" Center Module
w/ 2 sink modules (base only)

Figure 6. Wiring Diagram - 5580 Treatment Console Center Modules



5580, 5562, and 5662

5580 Treatment Console Floor-Mount

42", 69", and 96"

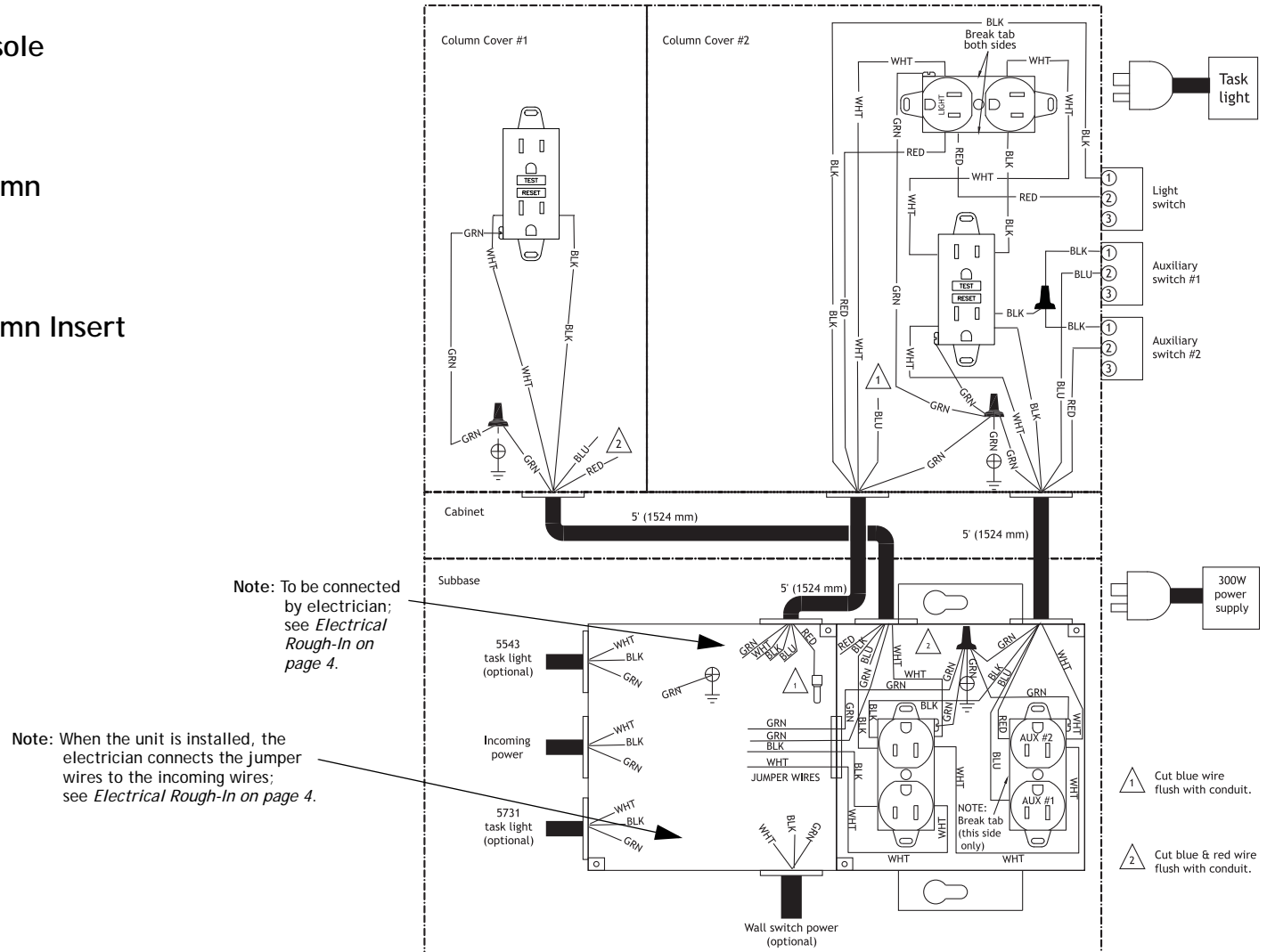
5562 Treatment Column Floor-Mount

34" and 42"

5662 Treatment Column Insert Wall-Mount

34" and 42"

Figure 7. Wiring Diagram - 5580 Treatment Console and 5562 and 5662 Treatment Columns



UTILITY SPECIFICATIONS

Table 5. Utility Specifications - Preference Collection

Utility	Finish	Requirement
Air	Protrude 1" (25.4 mm) for 3/8" compression	80-125 psi (550 to 860 KPa), 2.5 scfm (71 sl/min) minimum, during normal use (7.5 scfm [210 sl/min] peak intermittent flow). Flush lines prior to making connections to dental equipment.
Water	Protrude 1" (25.4 mm) for 3/8" compression	60 ± 20 psi (410 ±140 KPa), 1.5 gpm (5.7 l/min) minimum, not to exceed 40°C (104°F). Flush lines prior to making connections to dental equipment.
Central vacuum	Protrude 1" (25.4 mm) for 5/8" (16 mm) O.D. tubing and other specified by the central vacuum supplier	Wet Systems: 10 ± 2 inches of Hg (34 ± 7 KPa) and 9 scfm (255 sl/min) minimum. Dry/Semi-dry Systems 4.5 ± 1 inches of Hg (16 ± 3.5 KPa) and 12 scfm (340 sl/min) minimum.
Electrical	Protrude 1" (25.4 mm)	Refer to the electrical requirements listed throughout this section.
Gravity drain	Protrude 1" (25.4 mm)	Basket strainer connects to 1-1/4" or 1-1/2" flanged tailpiece.
Nitrous Oxide	Specified by the product manufacturer	Specified by the product manufacturer.
Oxygen	Specified by the product manufacturer	Specified by the product manufacturer.

LOOP VENT DIAGRAM

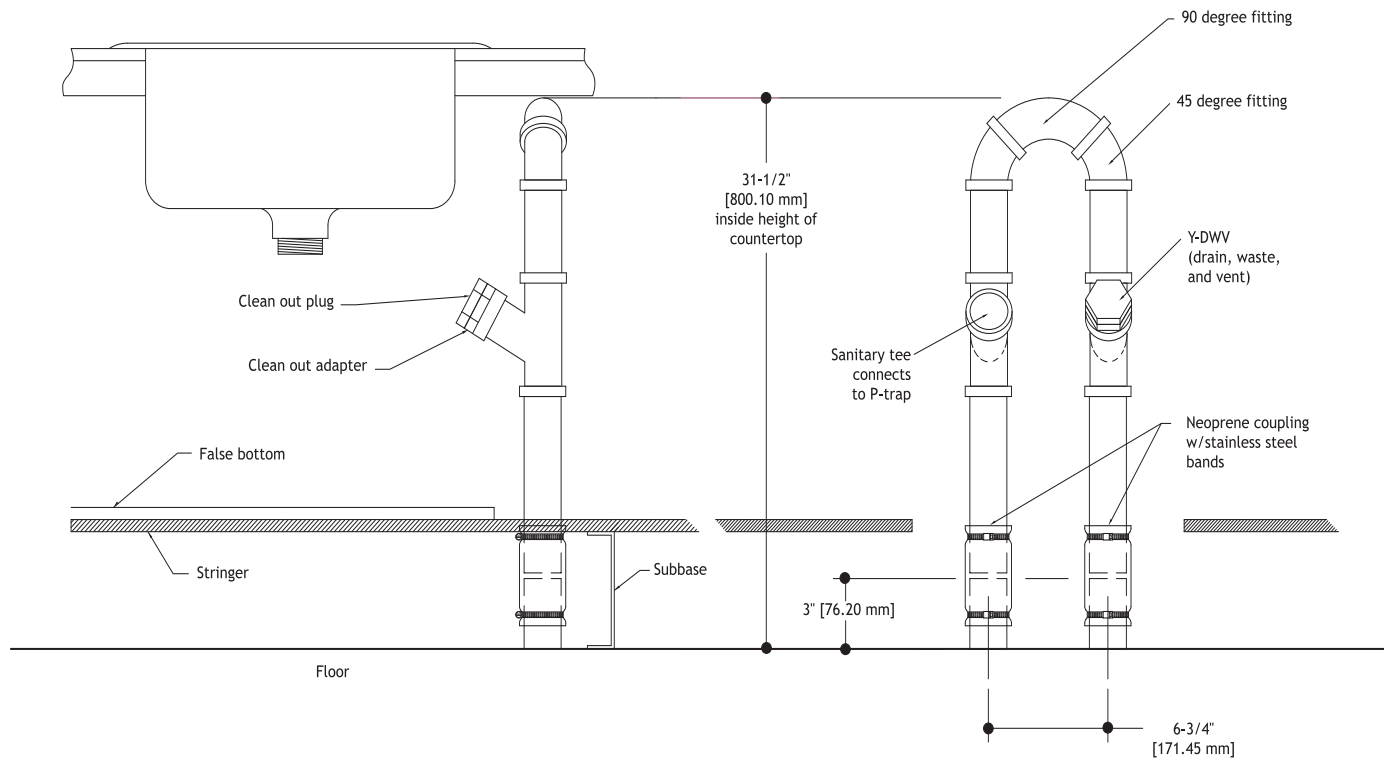
Universal 5543

Round and square centrals

5531 Accessory Console

35" sink module

Figure 8. Loop Vent Diagram - Preference Collection 5543 and 5531



MOUNTING SPECIFICATIONS

5631 Wall-Mount Accessory Console



WARNING If the ends of the wall-mounting cleat are more than 10" (254 mm) from a direct stud attachment, you must install a toggle wall fastener to attach the cleat to the gypsum wallboard.

Install the additional toggle wall fastener approximately 10" (254 mm) from the direct stud attachment point. If the proper number of stud attachments cannot be made, you must change the module position or reinforce the wall framing. Refer to page 2 for required consultation.

Metal Studs

1-1/4" x 3-1/2" x 22 ga minimum

Top: Add minimum 2-1/2" x 22 ga stiffener between studs and behind full length of wall-mounting cleat. Reference Table 6 for required top connection points.

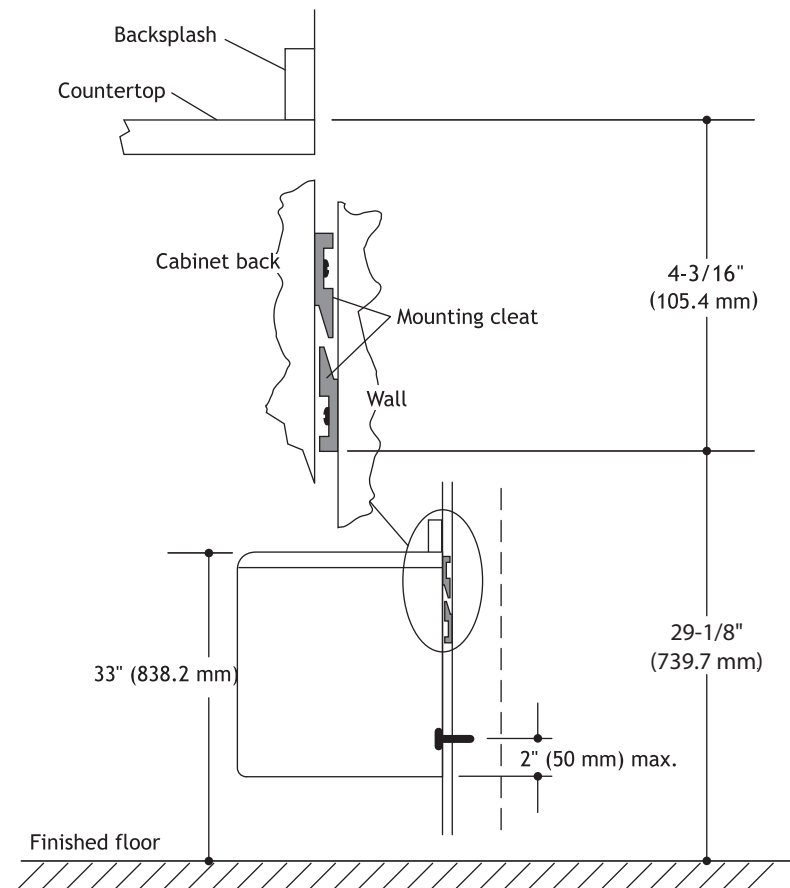
Bottom: #9 x 2-1/4" S.D. screw in each stud

Wood Studs

Top: #10 x 3" wood screws into studs or wood blocking. Reference Table 6 for required top connection points. If available studs do not provide adequate mounting locations, wood blocking must be added to reinforce the framing.

Bottom: #10 x 3" wood screws in each stud

Figure 9. 5631 Mounting Cleat Attaching to Wall

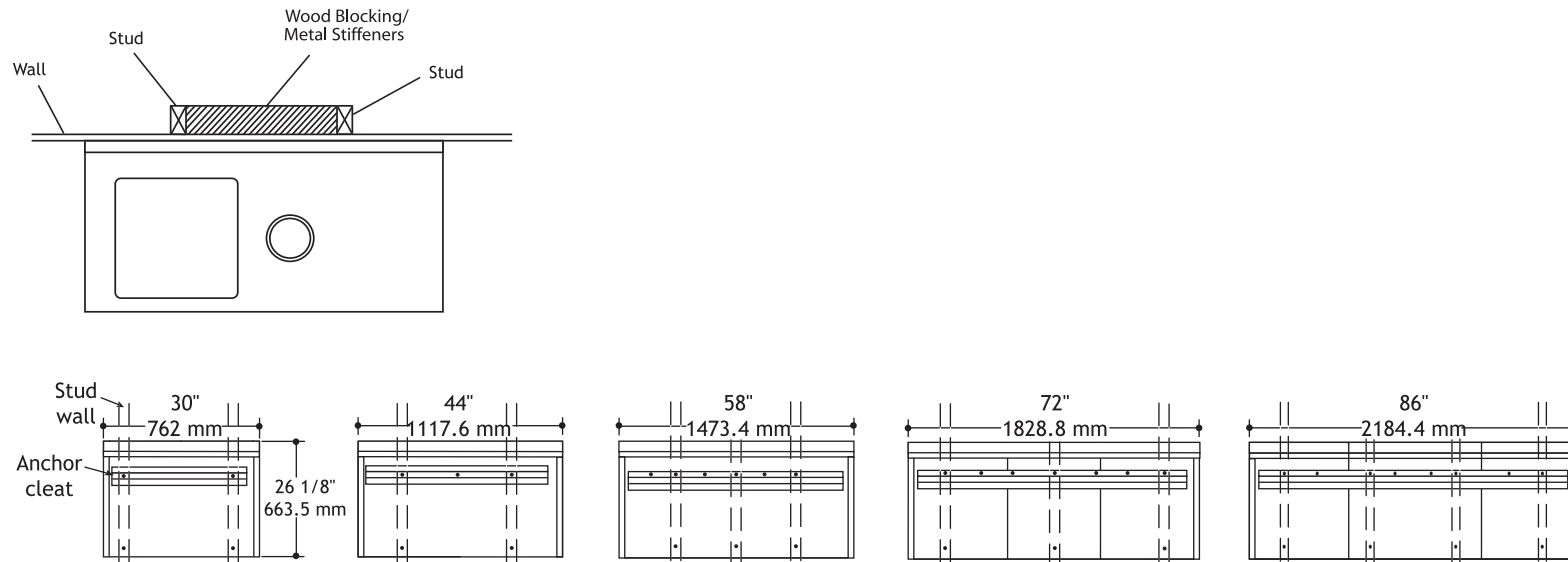


A-dec Dental Furniture Pre-Installation Guide

Table 6. Hanging Weight Chart (laminite, solid surface / Quartz)

Size	Cabinet Weight	Live Load	Total	Top Connection Points Required	Wall Studs Required
30" 762 mm	135 / 145 lb. 61 / 66 kg	200 / 190 lb. 91 / 86 kg	335 lb. 152 kg	2	2
44" 1118 mm	198 / 212 lb. 90 / 96 kg	330 / 316 lb. 150 / 143 kg	528 lb. 239 kg	3	2
58" 1473 mm	261 / 281 lb. 118 / 127 kg	400 / 380 lb. 181 / 172 kg	661 lb. 300 kg	6	3
72" 1829 mm	324 / 348 lb. 147 / 159 kg	350 / 326 lb. 159 / 148 kg	674 lb. 306 kg	7	3
86" 2184 mm	387 / 416 lb. 176 / 189 kg	500 / 471 lb. 227 / 214 kg	887 lb. 402 kg	8	4

Figure 10. 5631 Mounting Specifications



5730 Dispenser Unit or 5731 Storage Unit



WARNING For .22 or .29 modules (22-5/8" [574.7 mm] or 29-5/8" [752.5 mm] wide), you must mount the module anchor strips directly to wall studs in two locations (see Figure 12).

For .32 or .42 modules (34" [86.3 mm] or 42-1/8" [1070 mm] wide), you must mount the anchor strip directly to wall studs in a minimum of three locations (see Figure 12). If the ends of the anchor clip are more than 10" (254 mm) from a direct stud attachment, you must install an additional toggle bolt anchor to attach the anchor strip to the gypsum wallboard. Install the additional toggle bolt anchor approximately 10" (254 mm) from the direct stud attachment point.

If you cannot make the proper number of stud attachments, you must change the module position or reinforce the wall framing. Refer to page 2 for required consultation.

Metal Studs

1-1/4" x 22 ga min

Top: 22" (558.8 mm), 29" (736.6 mm), 34" (863.6 mm), and 42" (1066.8 mm)

T.W. anchors in stud flange

Bottom: #9 x 2-1/4" S.D. screw in each stud

Wood Studs

Std or Better/D.F. or S.P.

Top: #10 x 3" wood screws

Bottom: #10 x 3" wood screws in each stud

Figure 11. 5730 and 5731 Mounting Cleat Attaching to Wall

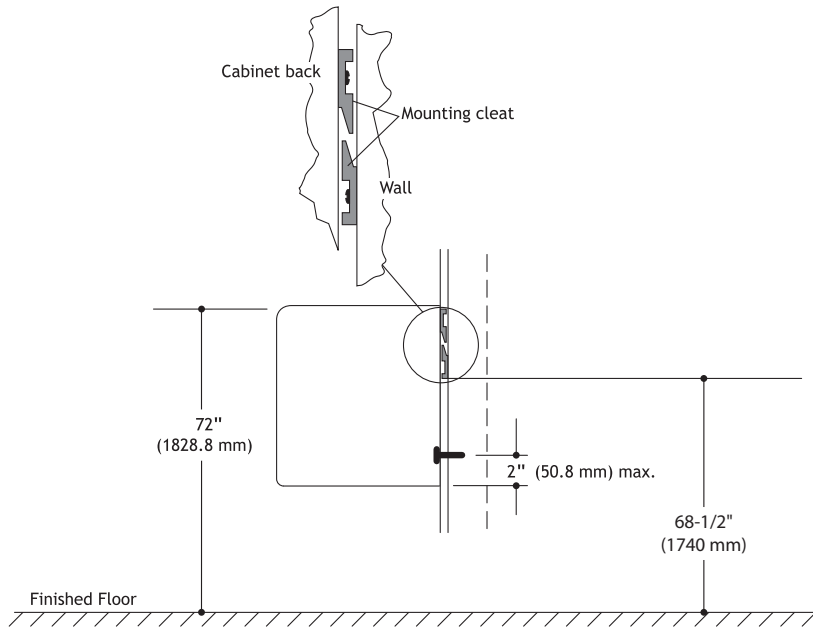
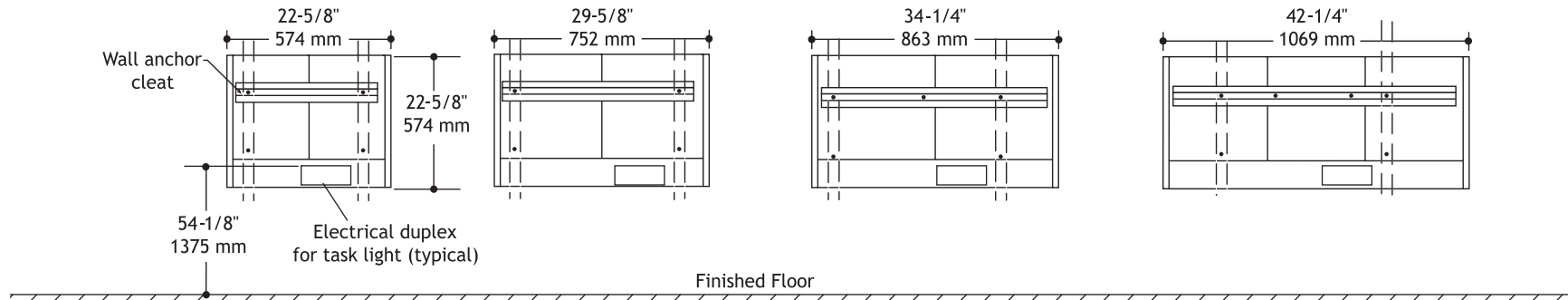


Figure 12. 5730 and 5731 Mounting Specifications

Cabinet weight = 60-85 lb. (27.2 - 38.5 kg) / Design live weight = 75-105 lb. (34-47.6 kg) depending upon size.



FRAMING DIMENSIONS

5662 34" and 42" Treatment Column Insert with Pass-Through

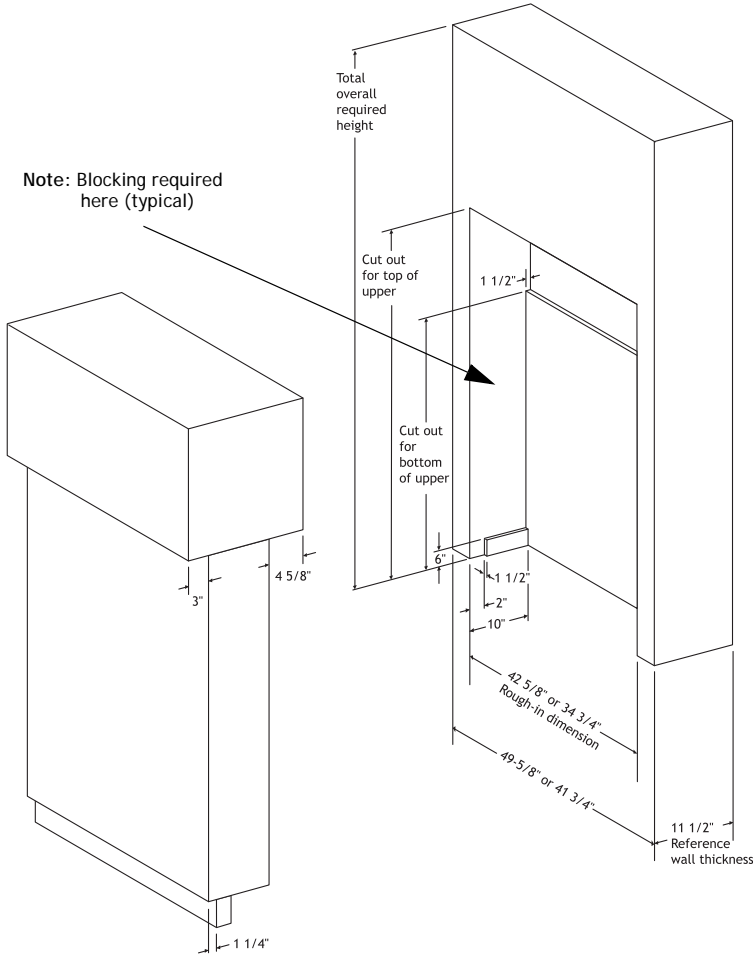
Knowledge of the product configuration is necessary to determine rough-in dimensions.

Table 7. 5662 34" and 42" (with Pass-Through) Configuration

Catalog Options	Pass-Through Storage
Shelf and Accessory Panel MSTCC.15	72-1/2" Top of Upper 50-7/8" Bottom of Upper
Flip-down Door and Accessory Panel MSTCC.16	72-1/2" Top of Upper 50-7/8" Bottom of Upper
Flip-down Door and Shelf MSTCC.17	72-1/2" Top of Upper 50-7/8" Bottom of Upper

There has been 1/2" (12.7 mm) overall added to the dimensions for placement of cabinet.

Figure 13. Framing Dimensions - 5662 Treatment Column Pass-Through



5662 34" and 42" Treatment Column Insert with Non-Pass-Through

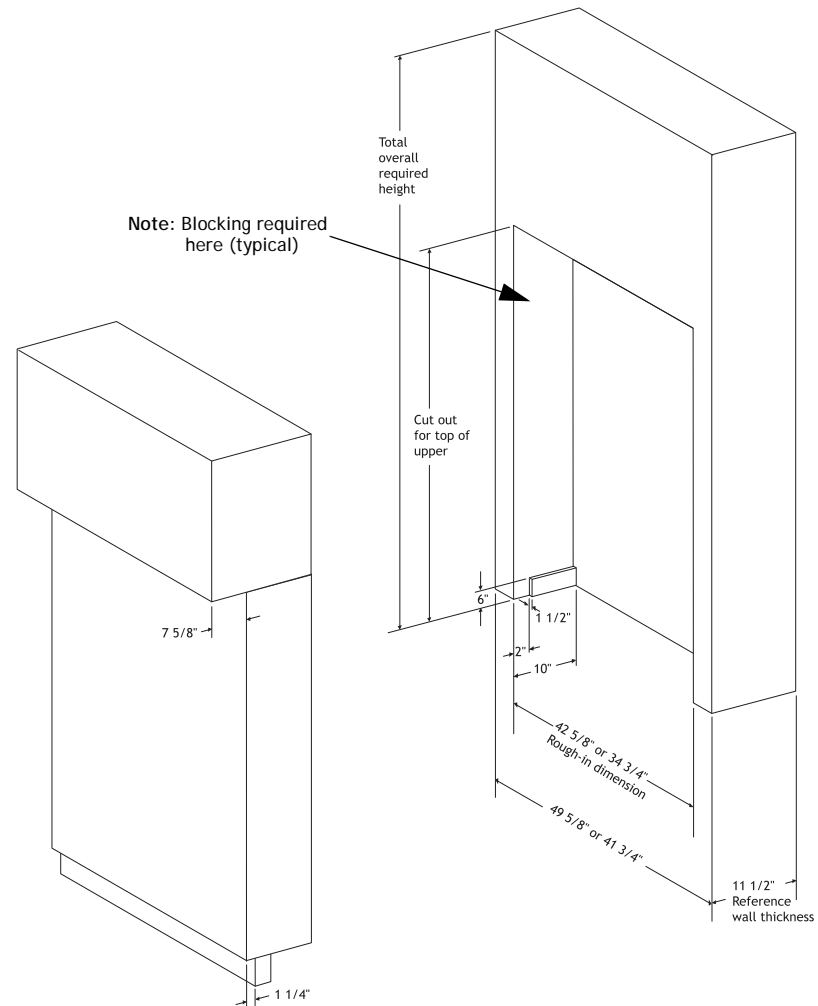
Knowledge of the product configuration is necessary to determine rough-in dimensions.

Table 8. 5662 34" and 42" (with Non-Pass-Through) Configuration

Catalog Options	Non-Pass-Through Storage	Cap Only
Shelf and Accessory Panel MSTCC.15	72-1/2" (1841.5 mm) Top of Upper	56-1/4" (1428.8 mm) Top of Cap
Flip-down Door and Accessory Panel MSTCC.16	72-1/2" (1841.5 mm) Top of Upper	56-1/4" (1428.8 mm) Top of Cap
Flip-down Door and Shelf MSTCC.17	72-1/2" (1841.5 mm) Top of Upper	56-1/4" (1428.8 mm) Top of Cap

There has been 1/2" (12.7 mm) overall added to the dimensions for placement of cabinet.

Figure 14. Framing Dimensions - 5662 Treatment Column with Non-Pass-Through



FRAMING SPECIFICATIONS

5731 Upper Storage Insert

Minimum requirements for attachment and for wall construction have been determined by an independent structural engineering company. Documented detail is available from A-dec customer service. Refer to page 2 for required consultation.

Metal Stud Wall

Minimum stud:

1-1/4" x 3-1/2" x 22 ga @ 24" (609.6 mm) o.c.

Typical Attachment:

#9 x 2-1/4" self-drilling screws (4 required)

Wood Stud Wall

Minimum stud:

Standard or better 2" x 4" @ 24" (609.6 mm) o.c.

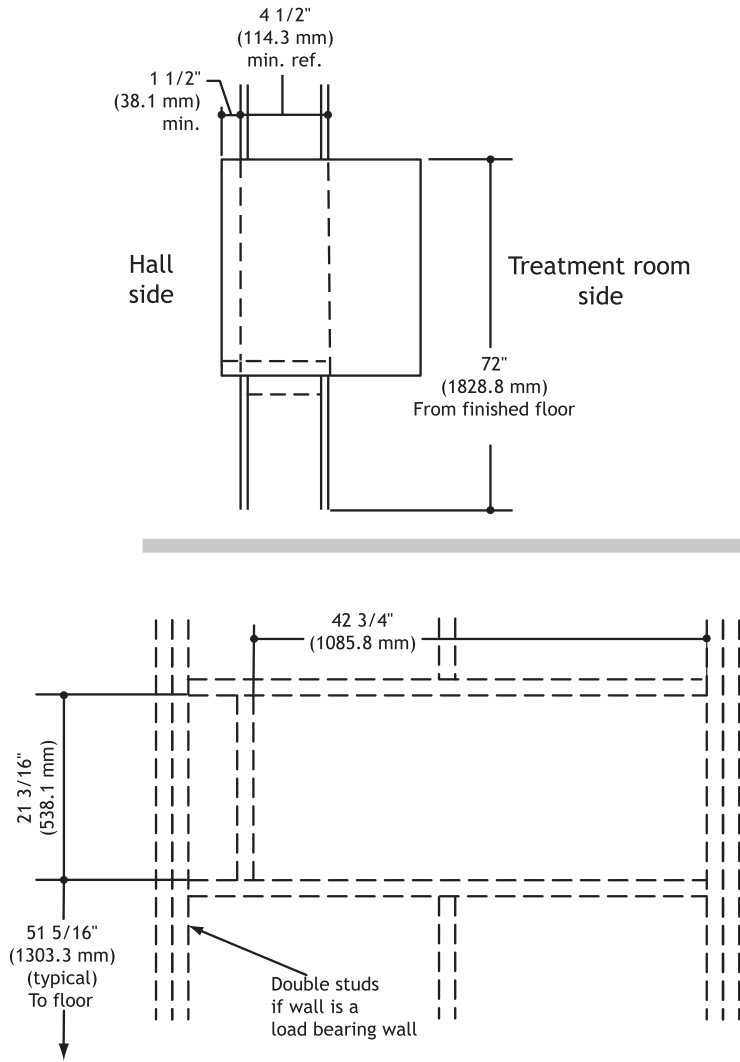
Typical Attachment:

#10 x 3" self-drilling screws (4 required)



NOTE All dimensions are for rough-in opening with 1/2" (12.7 mm) extra.

Figure 15. Framing Specifications - 5731 Upper Storage Insert



X-Ray Storage Insert

Metal Stud Wall

The x-ray unit manufacturer requires additional jamb framing. Consult the x-ray manufacturer and your local building contractor for assistance. The x-ray module requires 1-1/4" x 3-1/2" x 22 gage studs, minimum. Attach with eight #9 x 2-1/4" self-drilling screws.

Wood Stud Wall

The x-ray unit manufacturer requires additional jamb framing. Consult the x-ray manufacturer and your local building contractor for assistance. The x-ray module requires #2 Douglas Fir, Larch or Southern Pine studs, minimum. Attach with eight #9 x 2-1/4" self-drilling screws.

Refer to page 2 for required consultation. Routing of electrical for x-ray is dependent on the x-ray manufacturer requirements.

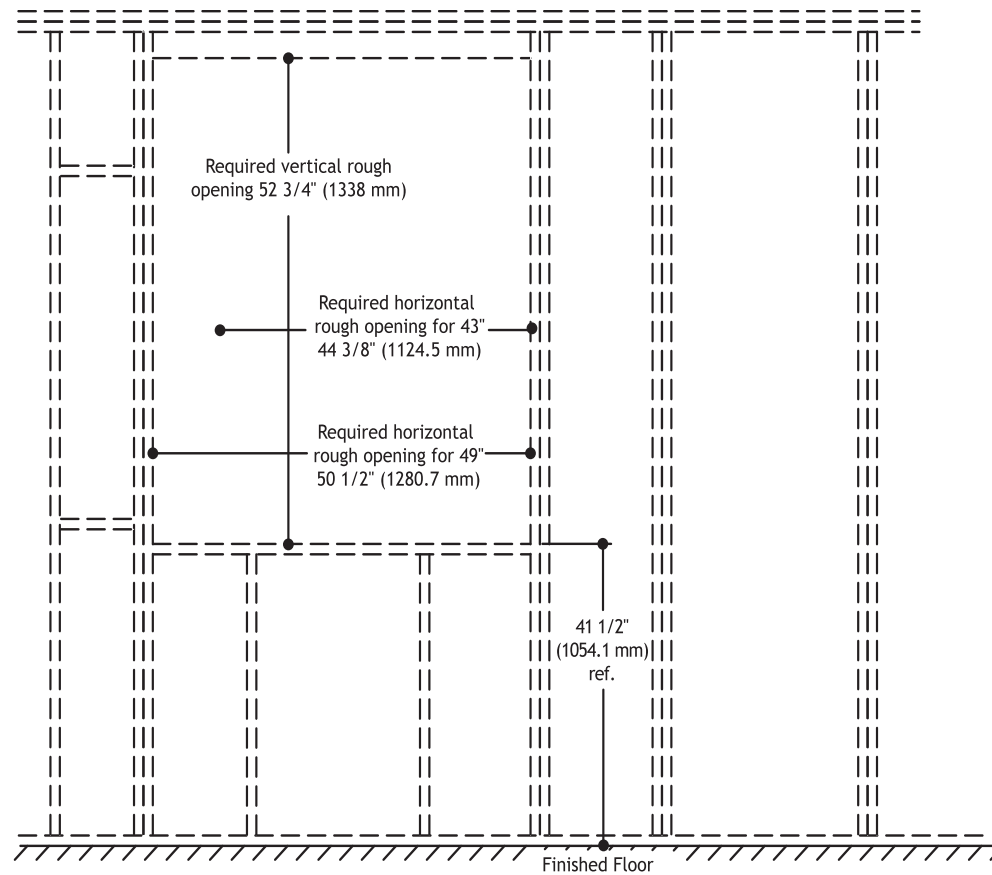


NOTE The 41-1/2" (1054.1 mm) reference dimension is the framing requirement when placing the x-ray module above the 5531 or 5631 at standard height. This allows the x-ray module to be opened without interfering with the sink faucet. If the wall construction limits this height dimension, a special, shorter faucet handle may be ordered as a special part from Delta (call 1.800.345.3358). The chrome handle part number is RP17443. The white handle part number is RP17443WH. Using this faucet allows the reference dimension to be lowered to 1-7/8" (47.6 mm) to 39-3/8" (1000.1 mm).



NOTE Dimensions for rough-in opening include 1/2" (12.7 mm) extra, for ease of fit. The header and structural framing is configured per local code.

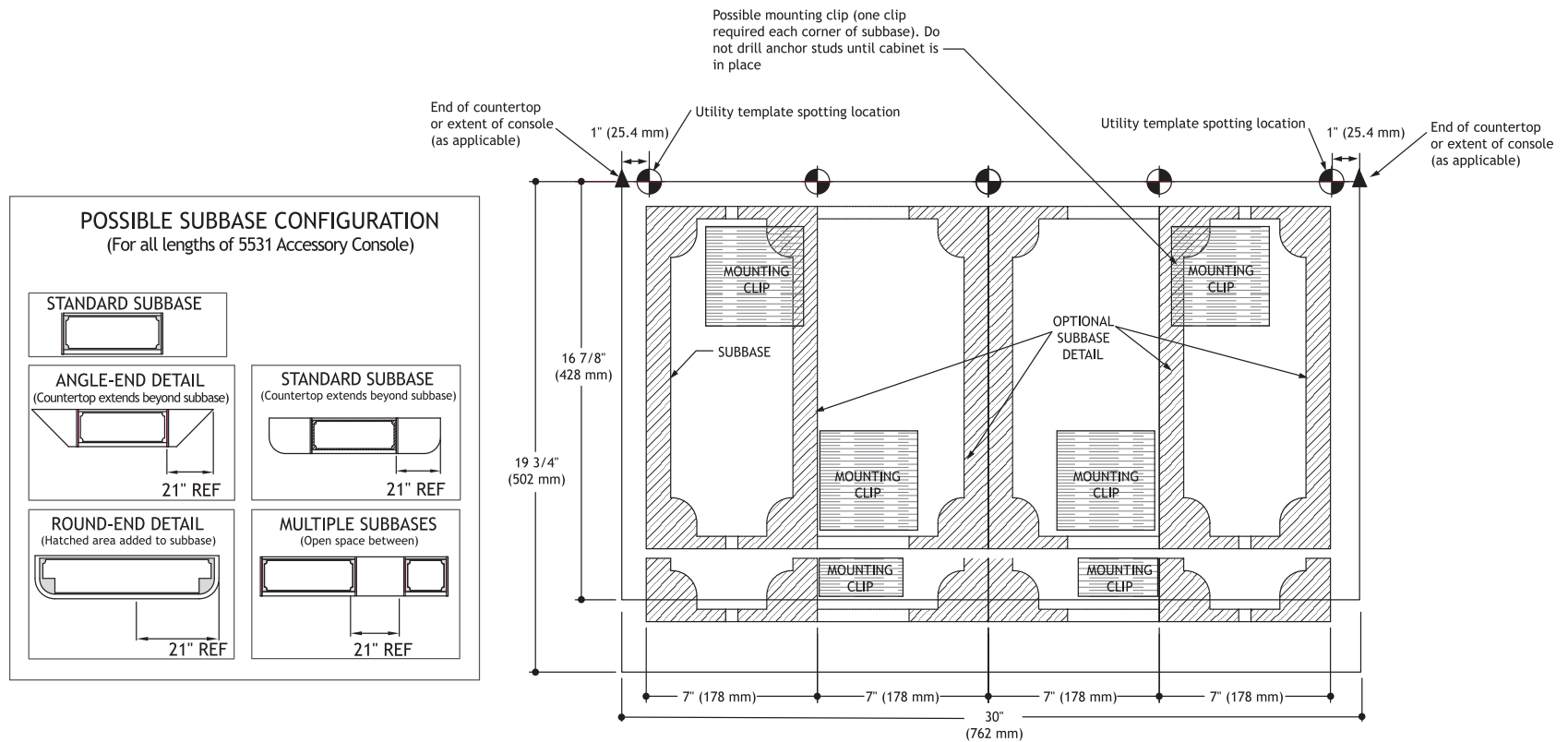
Figure 16. Framing Specifications - X-Ray Storage Insert



TEMPLATES AND UTILITIES

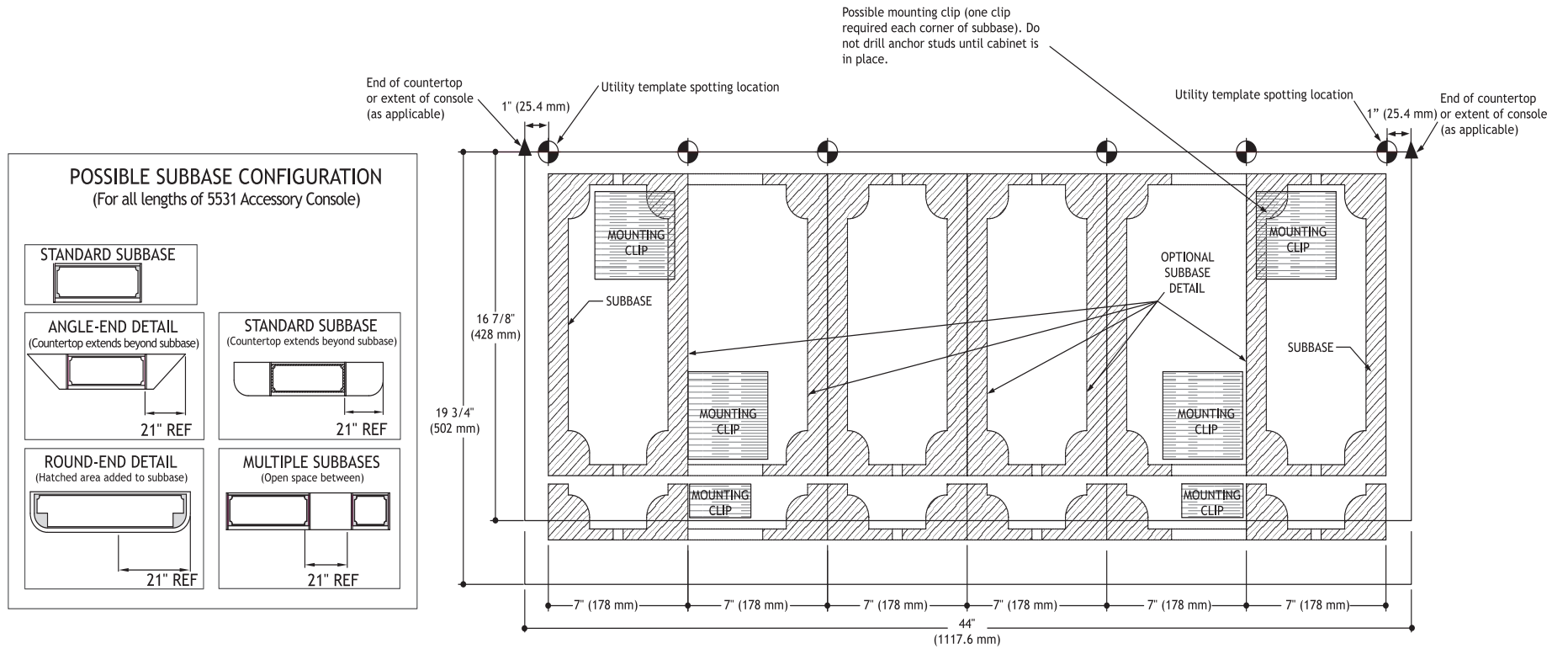
5531 and 5631 30" Accessory Console

Figure 17. Templates and Utilities - 5531 and 5631 30" Accessory Console



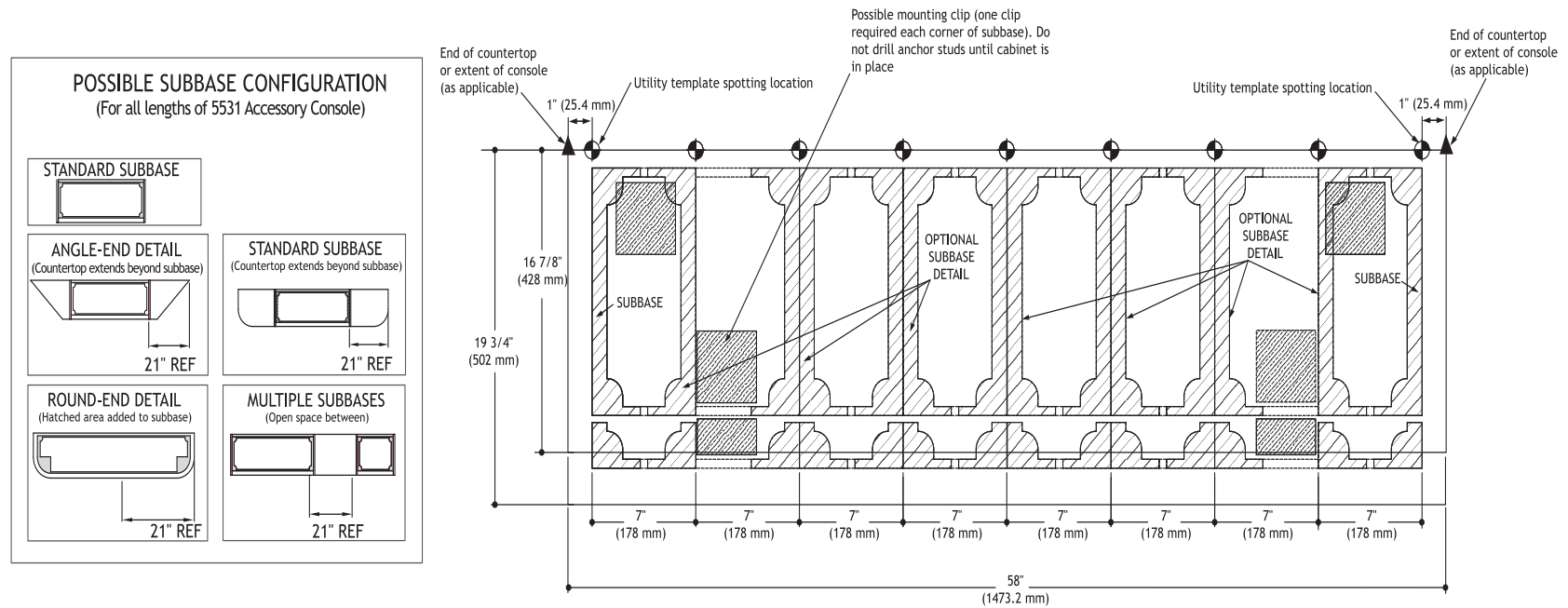
5531 and 5631 44" Accessory Console

Figure 18. Templates and Utilities - 5531 and 5631 44" Accessory Console



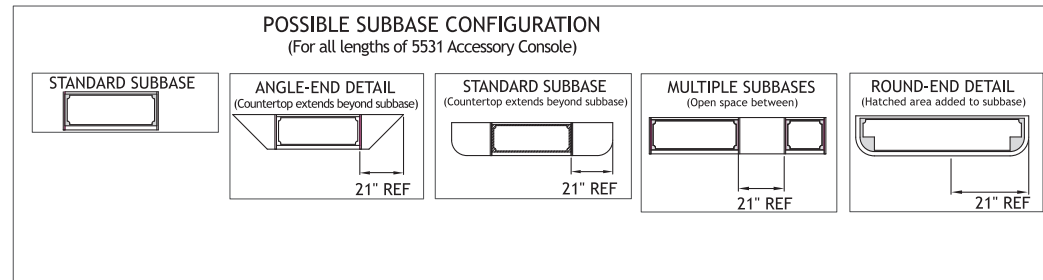
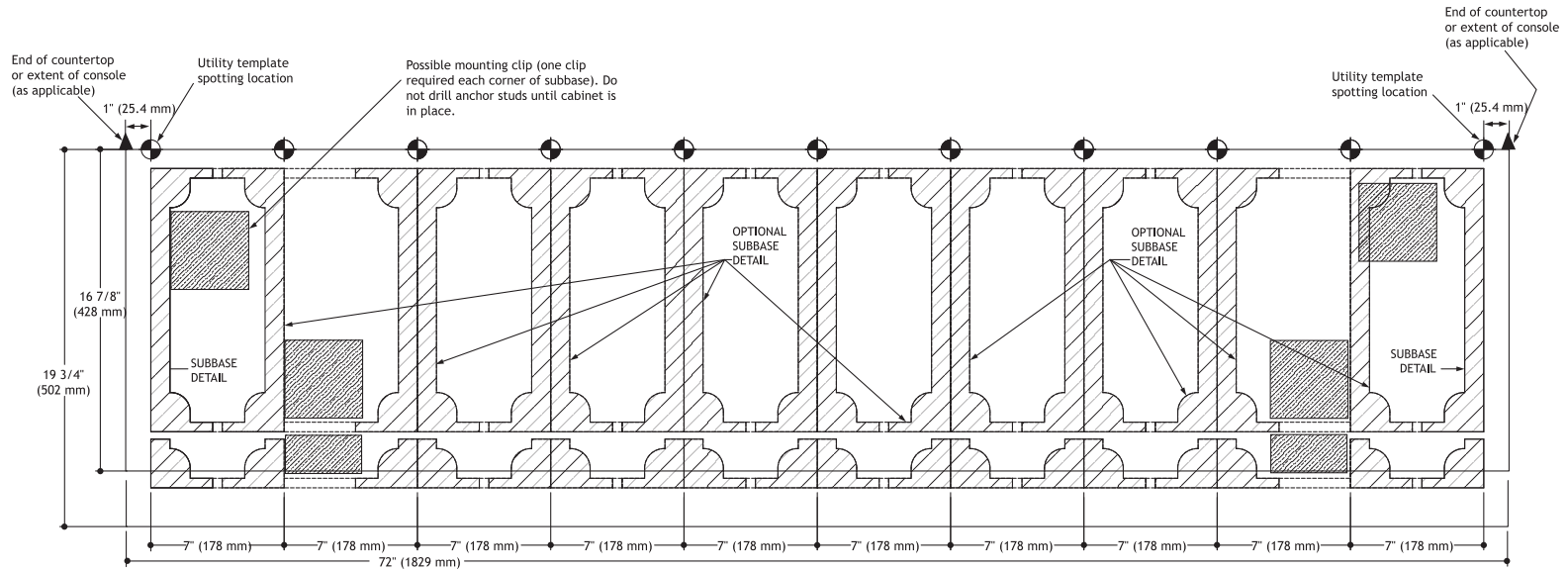
5531 and 5631 58" Accessory Console

Figure 19. Templates and Utilities - 5531 and 5631 58" Accessory Console



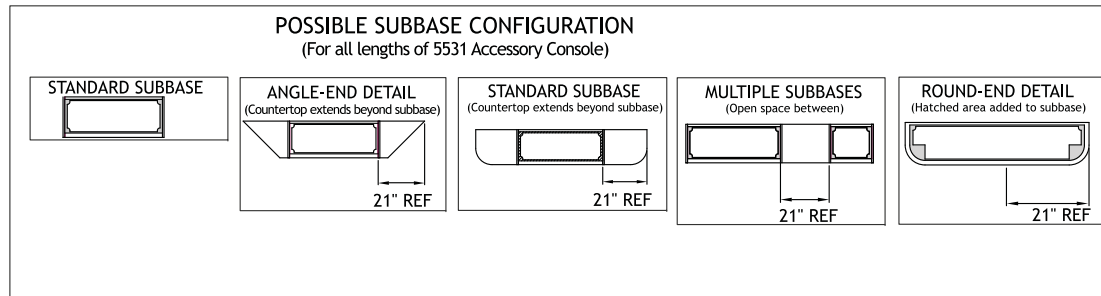
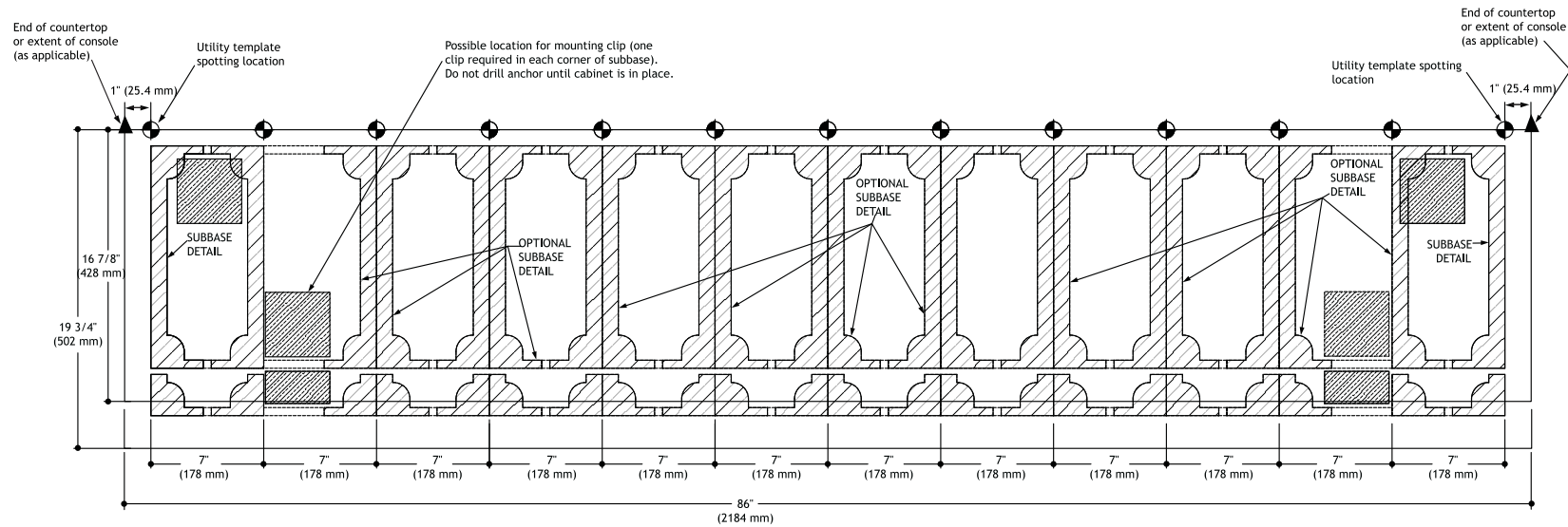
5531 and 5631 72" Accessory Console

Figure 20. Templates and Utilities - 5531 and 5631 72" Accessory Console



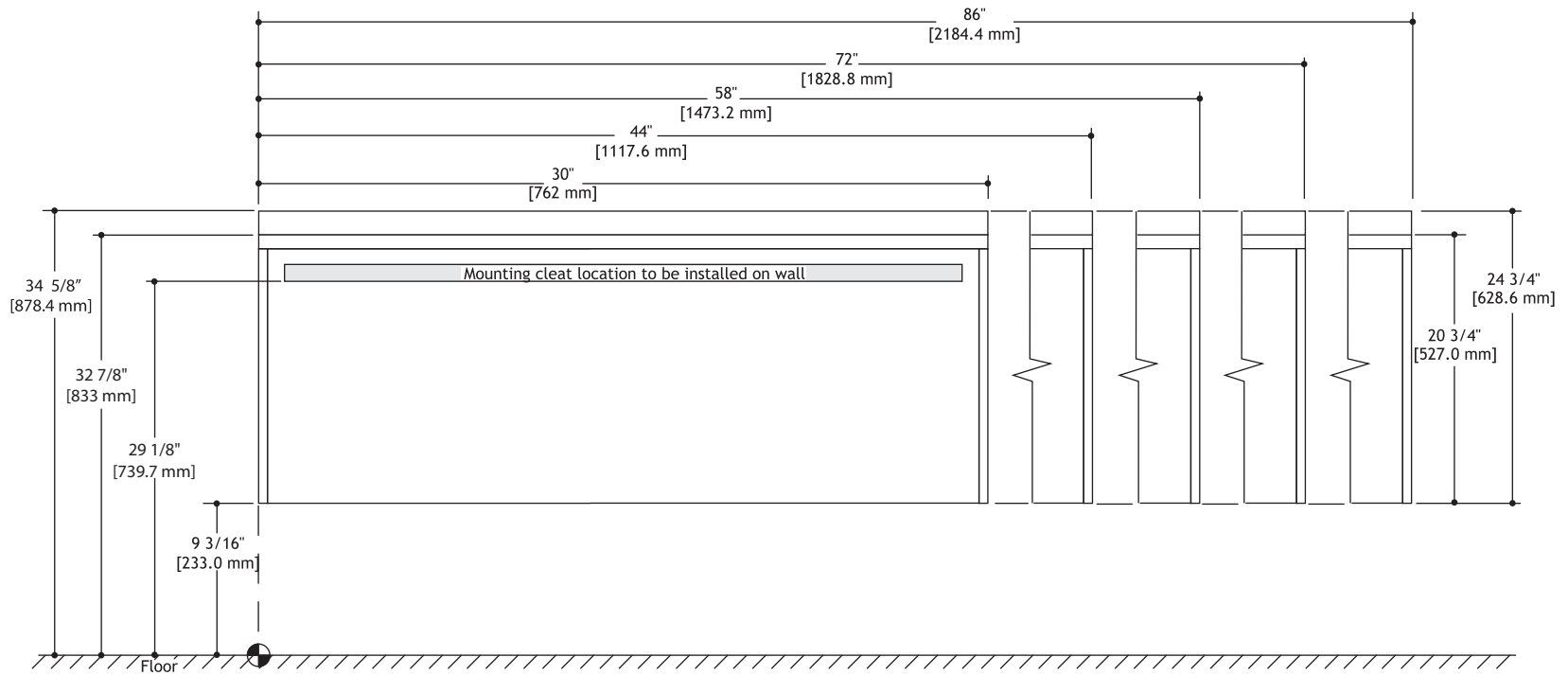
5531 and 5631 86" Accessory Console

Figure 21. Templates and Utilities - 5531 and 5631 86" Accessory Console



5631 Wall-Mount Accessory Console

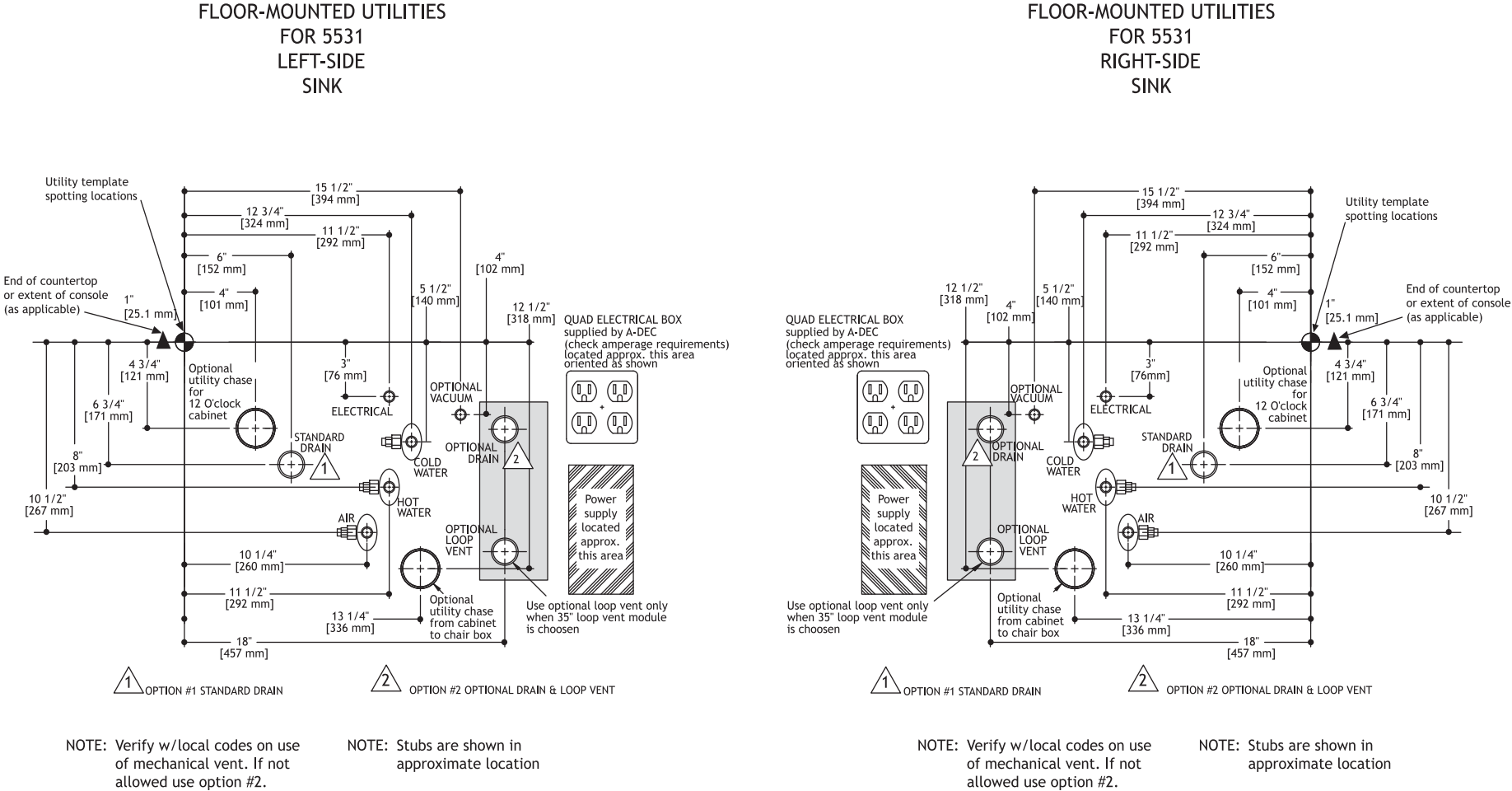
Figure 22. Templates and Utilities - 5631 Wall-Mount Accessory Console



NOTE: Before preparing to install this module, spot and mark reference point 0-0. Treatment room positioning, plumbing and electrical locations, and other interior detailing for this module are referenced from this point. The unit position must be considered before doing the final spotting of the mounting cleat, plumbing, and electrical.

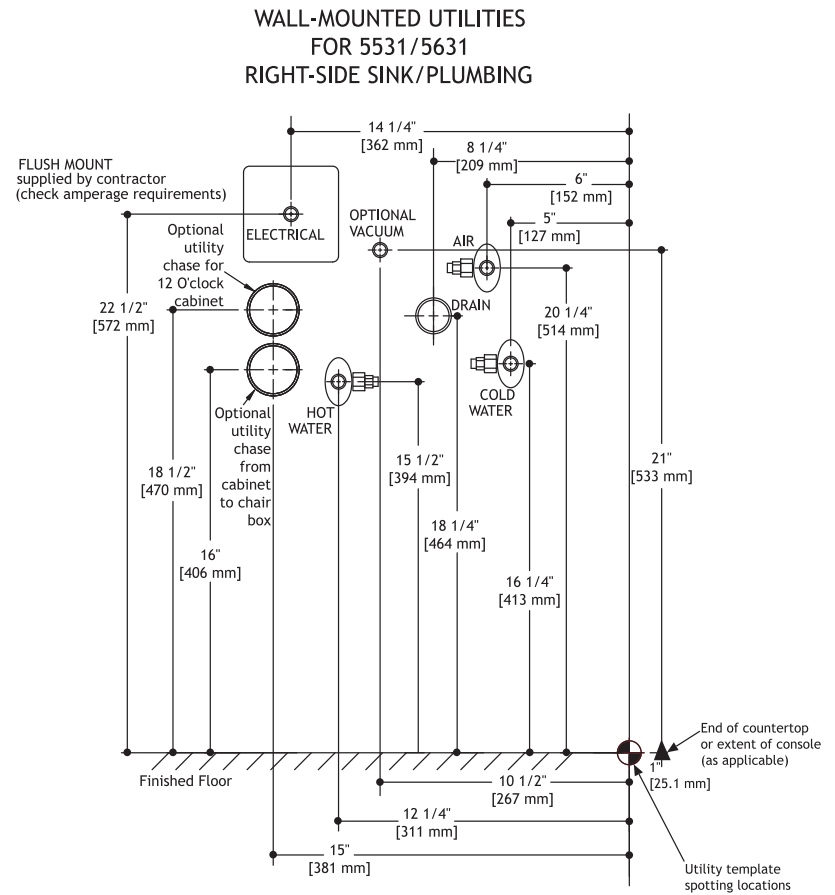
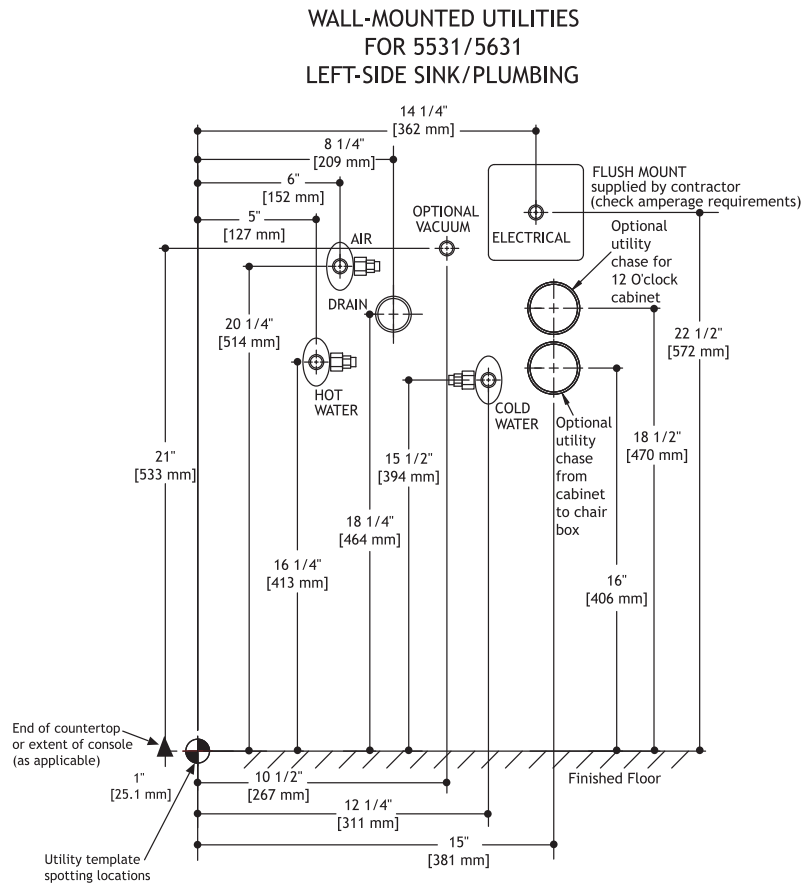
5531 Floor-Mounted Utilities Template

Figure 23. Templates and Utilities - 5531 Floor-Mounted Utilities



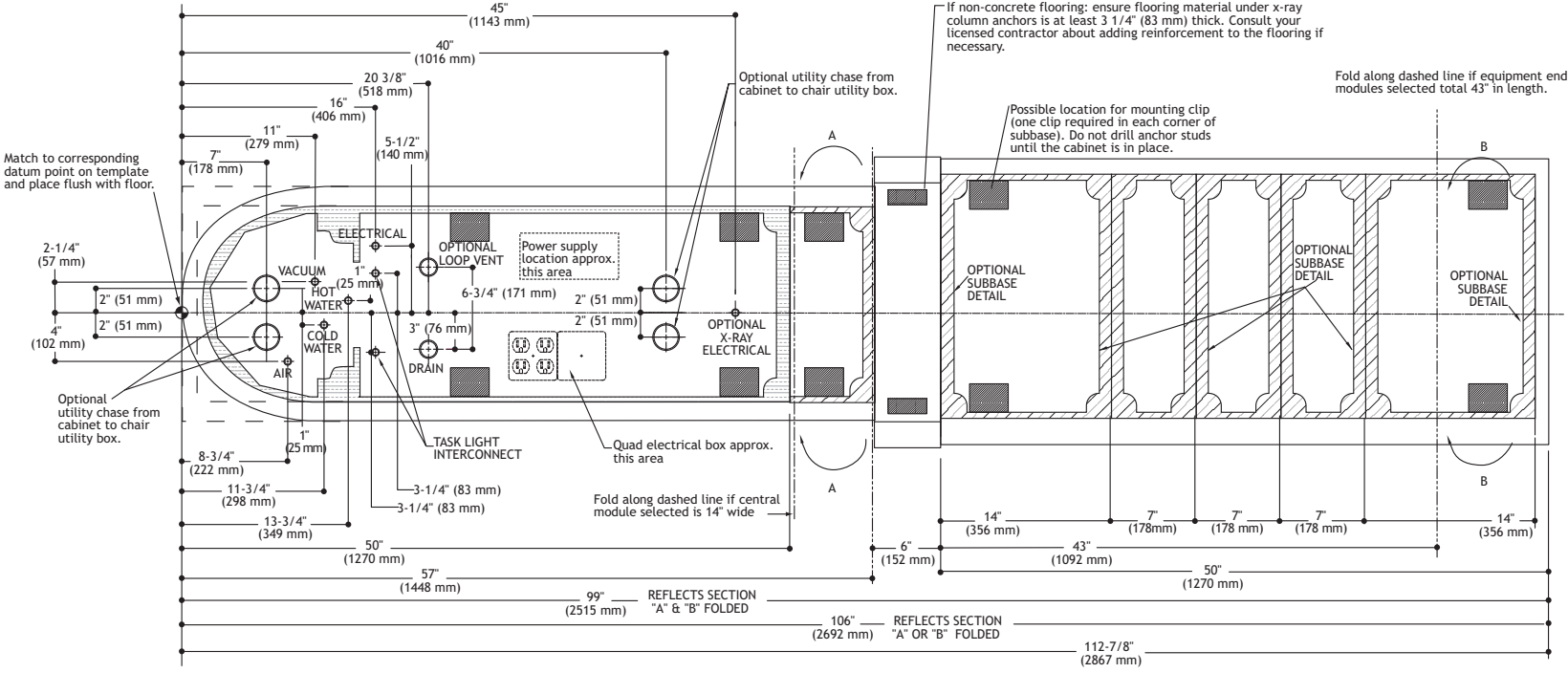
5531 and 5631 Wall-Mounted Utilities

Figure 24. Templates and Utilities - 5531 and 5631 Wall-Mounted Utilities



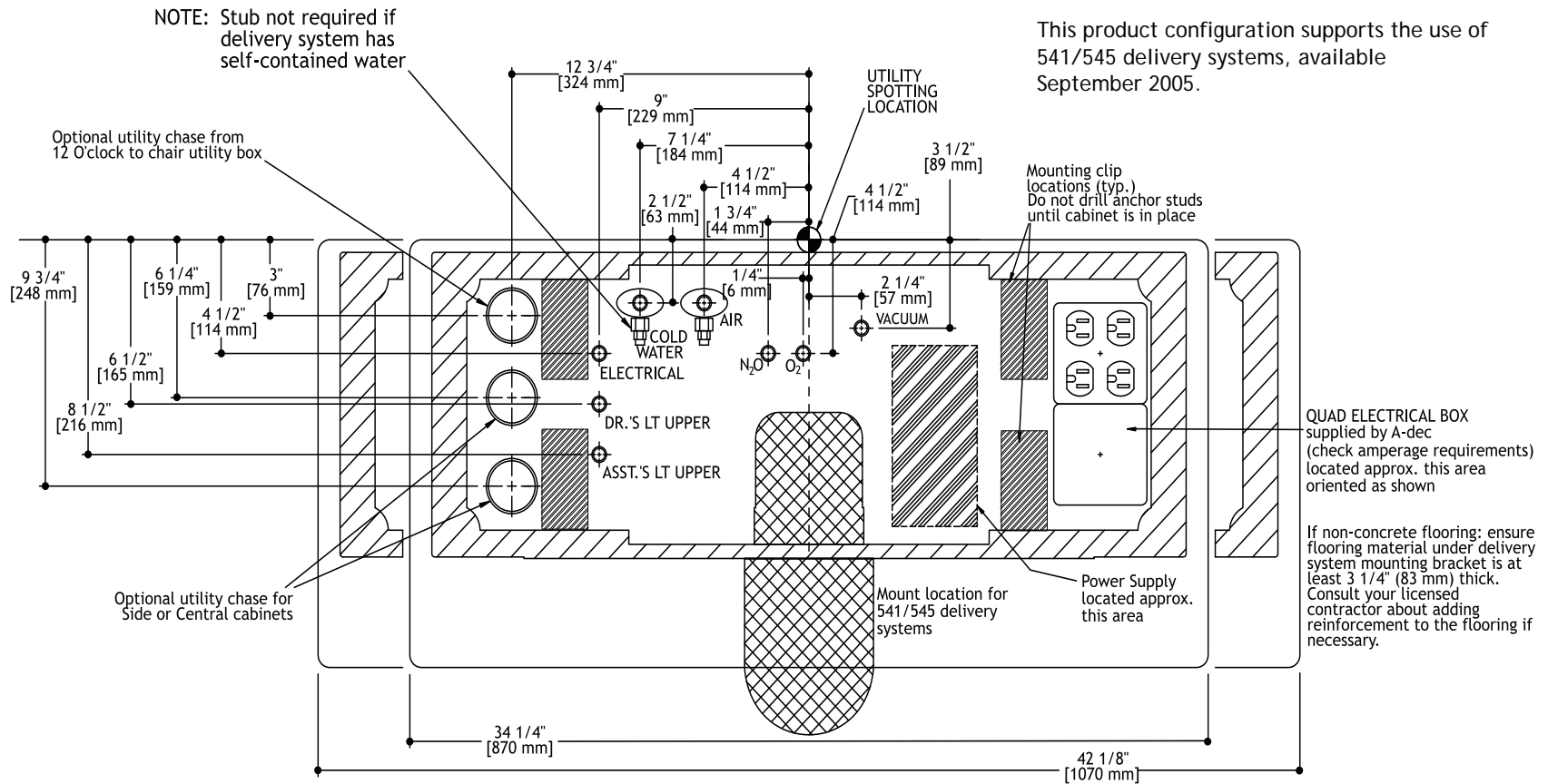
5543 Round/Square-End Central Console

Figure 25. Templates and Utilities - 5543 Round/Square-End Central Console



5562 Treatment Column 34" and 42"

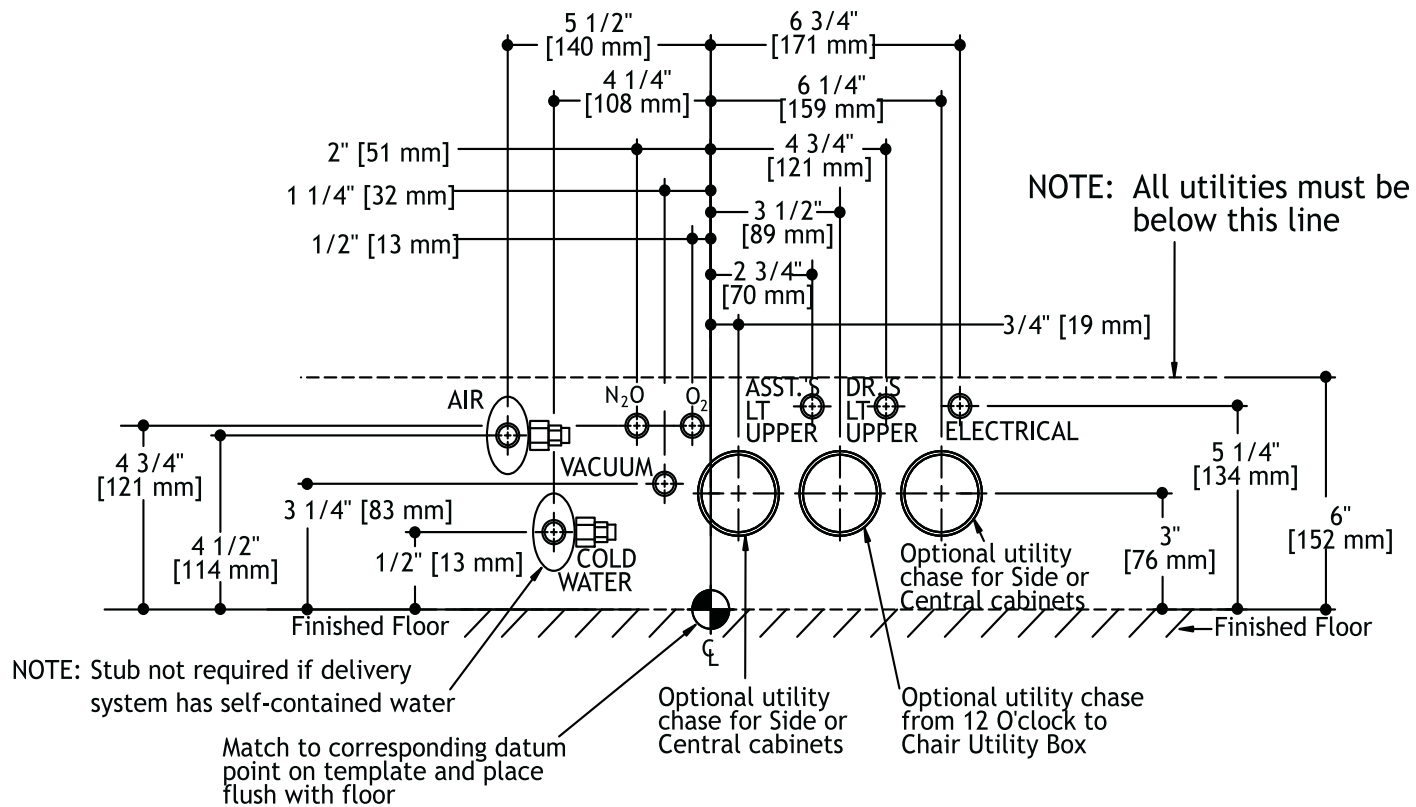
Figure 26. Templates and Utilities - 5562 Treatment Column 34" and 42"



This product configuration supports the use of 541/545 delivery systems, available September 2005.

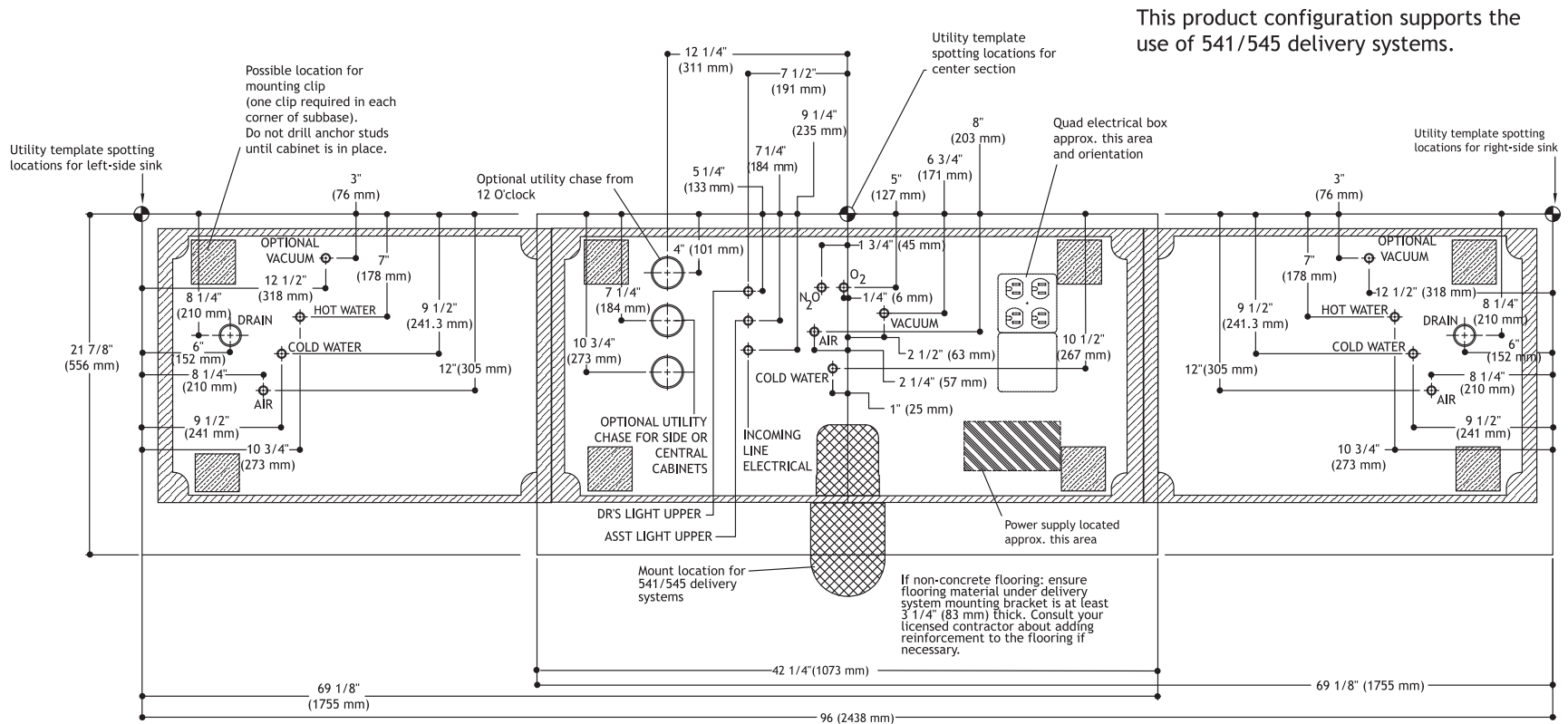
Wall-Mounted Utilities (optional)

Figure 27. Templates and Utilities - 5562 Wall-Mounted Utilities



5580 Treatment Console 42", 69", and 96"

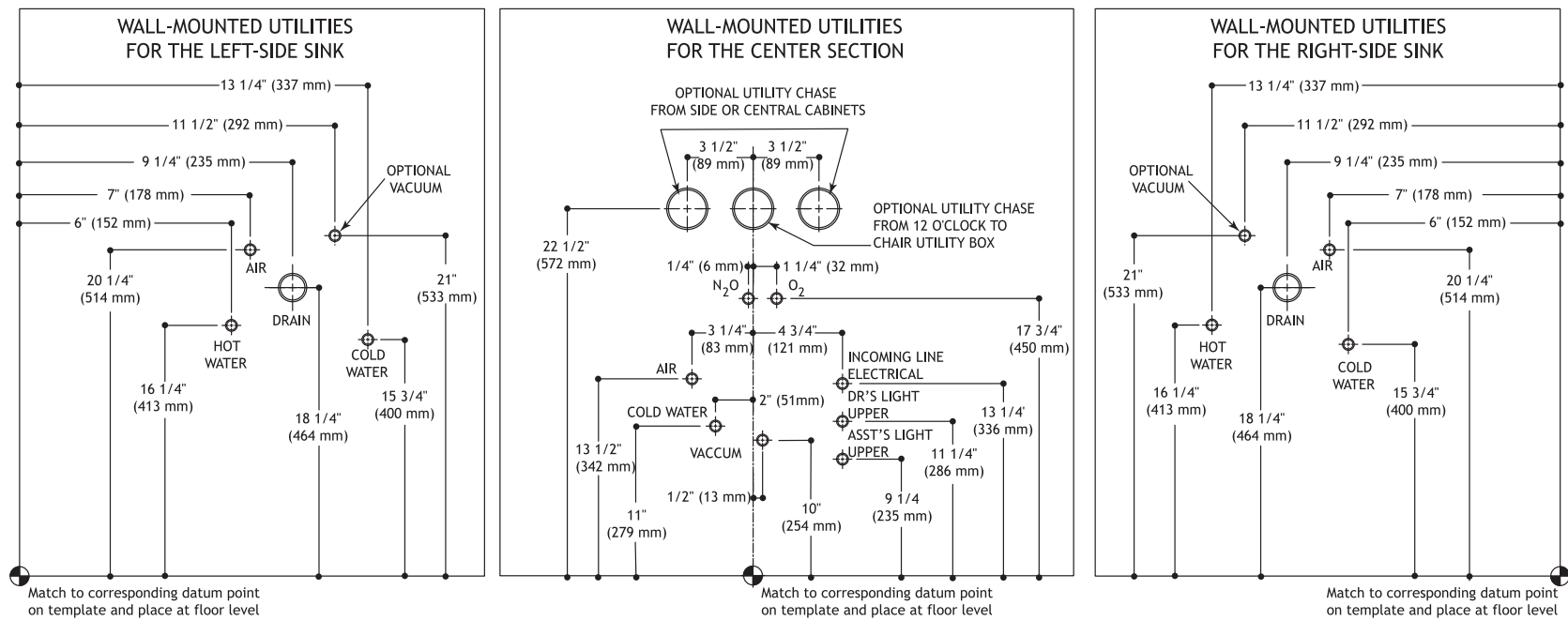
Figure 28. Templates and Utilities - 5580 Treatment Console 42", 69", and 96"



This product configuration supports the use of 541/545 delivery systems.

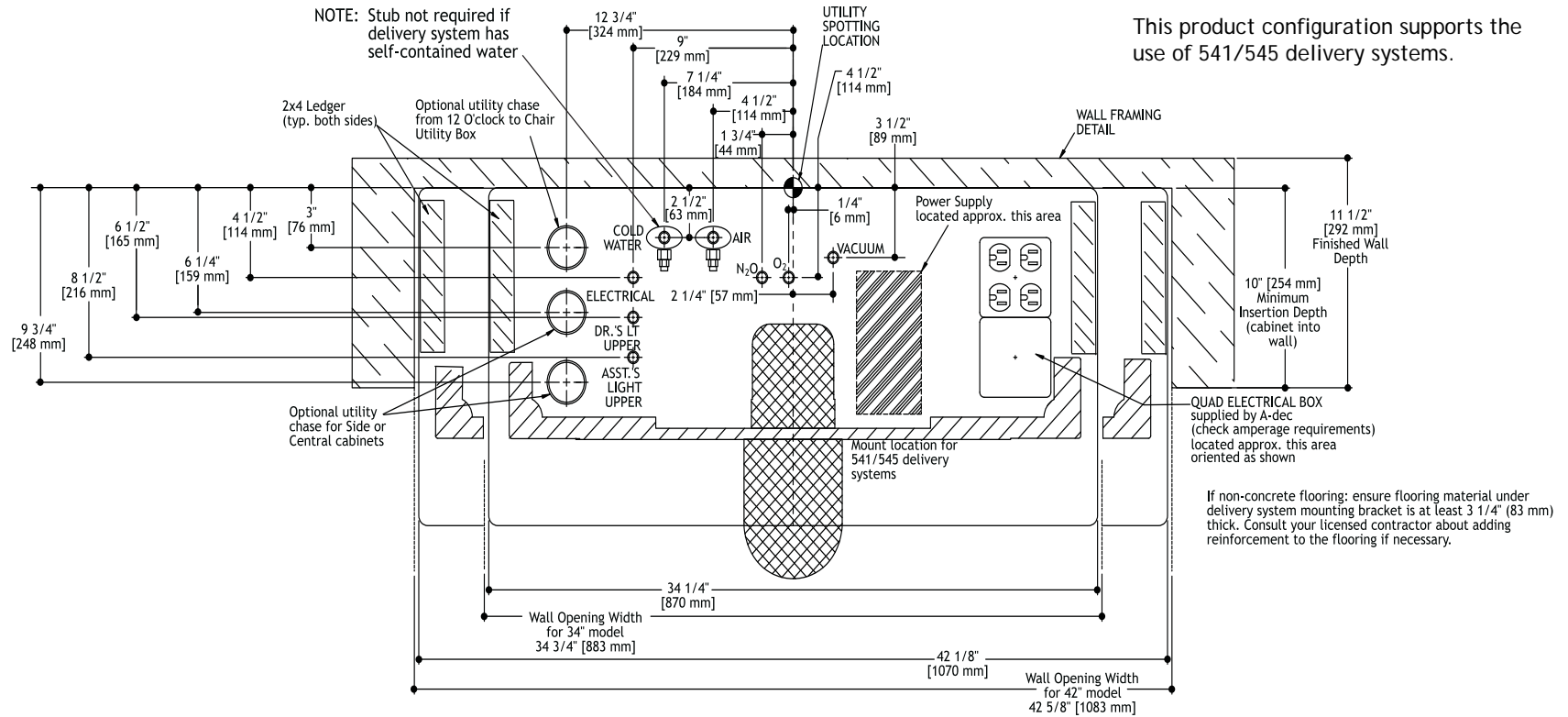
5580 Treatment Console Plumbing (Wall-Mounted Utilities)

Figure 29. Templates and Utilities - 5580 Treatment Console Plumbing (Wall-Mounted Utilities)



5662 Treatment Insert 34" and 42"

Figure 30. Templates and Utilities - 5662 Treatment Insert 34" and 42"



FULL-SIZE TEMPLATE REFERENCE

Listed below are the titles for each full-size template and the corresponding page numbers showing a miniature version. To order a full-size template, have the template part number ready and contact A-dec customer service at 1.800.547.1883 or 1.503.538.7478.

Table 9. Full-Size Templates - Preference Collection

Template Title	Page Number	Part Number
5531 and 5631—30" Accessory Console	page 27	86.0173.00
5531 and 5631—44" Accessory Console	page 28	86.0174.00
5531 and 5631—58" Accessory Console	page 29	86.0175.00
5531 and 5631—72" Accessory Console	page 30	86.0176.00
5531 and 5631—86" Accessory Console	page 31	86.0177.00
5531 and 5631 Utilities*	page 32 – 34	N/A*
5543—Round/Square-End Central Console with Utilities	page 35	86.0145.00
5562—Treatment Column and Wall-Mounted Utilities 34" and 42" with Utilities	page 36 – 37	86.0147.00
5580—Treatment Console 42", 69", and 96" with Utilities	page 38 – 39	86.0146.00
5662—Treatment Insert 34" and 42" with Utilities	page 40	86.0180.00

* The utilities appear on all 5531 and 5631 templates.

A-dec Dental Furniture Pre-Installation Guide



PREFERENCE ICC

The A-dec Preference ICC is organized into nineteen simple module configurations, which means it can deliver the flexibility to create a system specifically designed for a practice.

This section of the *Dental Furniture Pre-Installation Guide* includes:

- Estimated Shipping Weights
- Utility Specifications
- Spotting Back Panel Locations
- Utility Templates
- Back Panel Templates



ESTIMATED SHIPPING WEIGHTS

Preference ICC

Table 10. Estimated Shipping Weights (laminate, solid surface / Quartz)

5590	Pounds	Kilograms
SWD2	349	158
SLDW2 / SLDW3	302	137
SSD3	329	149
SWS0	308 / 318	140 / 145
MSRU	285 / 295	129 / 134
MSLW/MSRW	247 / 257	112 / 117
MSLD/MSRD	285 / 295	129 / 134
MSSD	195 / 205	89 / 93
MPS4	249 / 259	113 / 118
MDM5	203 / 213	92 / 97
MSMD	141 / 151	64 / 69
MDK0	108-325 / 112-346	49-134 / 51-157
MWMD	141 / 151	64 / 69

5590	Pounds	Kilograms
CSD3	365	166
CSS4	366	166
CLS5	329	149
CTP4	369 / 379	167 / 172
C2S2B	366	166
CSS1	366	166
CST1.12	225	102
CST1.25	372	169
CRNR	398 / 428	181 / 195
Ship Kit	100	45

UTILITY SPECIFICATIONS

Table 11. Utility Specifications - Preference ICC

Utility	Finish	Requirement
Air	Protrude 1" (25.4 mm) for 3/8" compression	80-125 psi (550 to 860 KPa), 2.5 scfm (71 sl/min) minimum, during normal use (7.5 scfm [210 sl/min] peak intermittent flow). Flush lines prior to making connections to dental equipment.
Water	Protrude 1" (25.4 mm) for 3/8" compression	60 ± 20 psi (410 ±140 KPa), 1.5 gpm (5.7 l/min) minimum, not to exceed 40°C (104°F). Flush lines prior to making connections to dental equipment.
Central vacuum	Protrude 1" (25.4 mm) for 5/8" (15.9 mm) O.D. tubing and other specified by the central vacuum supplier	Wet Systems: 10 ± 2 inches of Hg (34 ± 7 KPa) and 9 scfm (255 sl/min) minimum. Dry/Semi-dry Systems 4.5 ± 1 inches of Hg (16 ± 3.5 KPa) and 12 scfm (340 sl/min) minimum.
Electrical	Protrude flex conduit to 24" (609.6 mm)	Refer to the electrical requirements listed throughout this section.
Gravity drain	Protrude 1" (25.4 mm)	Basket strainer connects to 1-1/4" or 1-1/2" flanged tailpiece.

Electrical

Ventilation Fan in Clean Module, Sterile Storage Area

One (1) 120VAC outlet is required for each clean module, sterile storage area. The operating current for the ventilation fan is 0.3 A at 100-120VAC, 50-60 Hz for each ventilation fan.

Ancillary Devices

Provide electrical supply for ancillary devices in the space noted on the utility templates and back panel templates. Refer to device manufacturer for supply requirements. There are no electrical duplex receptacles supplied with a Preference ICC cabinet.

General Considerations

1/2" (12.7 mm) flexible conduit, (120VAC, 3 wire) supplied by contractor to protrude 24" (609.6 mm) at rough-in. Connection to be made in junction box. Preference ICC cabinets are approved for 20 A breakers.



NOTE A-dec supplies junction box when a sink module is chosen. Contractor supplies junction box otherwise.

Optional Dryer

When the optional dryer is selected, the cabinet (dryer and lighting) must be connected to a dedicated 20 amp 120 VAC circuit. To prevent nuisance tripping of the circuit breaker and to ensure proper operation of the dryer, no other loads can be included on this circuit.

Canadian Wiring Kit

Install additional ground impedance wiring according to the instructions provided in the Preference Collection Canadian Wiring Kit, p/n 86.0461.00.

Refer to page 2 for required consultation.

Task Lights

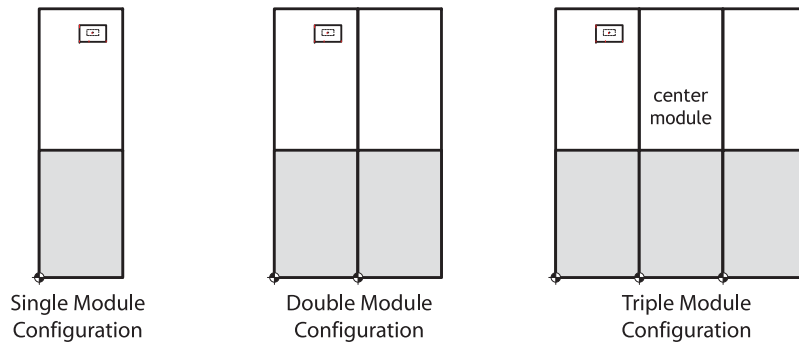
The operating current for task lights is 3 A at 100-120VAC, 50-60 Hz with the maximum number of task light options.

Power Requirements—ICC Without Middle Module Task Light

Single, double or triple receiving/clean module applications require 120 VAC flush-mounted duplex box for task light power.

Regardless of the number of modules (single, double or triple), only one duplex is required to power all the lighting. Standard configurations place power in the left-hand most modules, with additional modules powered using the standard installation instructions shipped with the product.

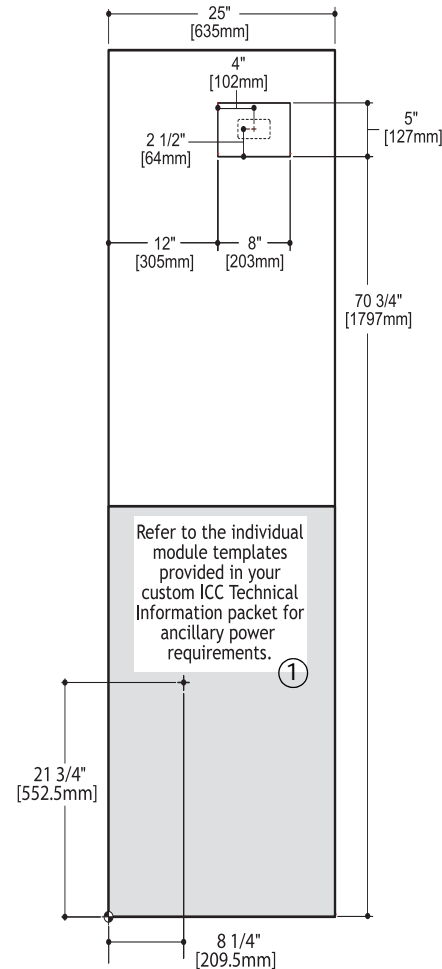
Figure 31. Receiving/Clean Modules Without Middle Modules



In cases where the left-hand end modules cannot house the duplex power, you can relocate power to the right-hand end module. You cannot place the duplex in the center module of a triple module configuration.

Once you meet the upper task light requirements, refer to the individual module templates provided in the custom Preference ICC technical information packet for ancillary power requirements.

Figure 32. Duplex Positioning—Receiving/Clean Modules Without Middle Modules



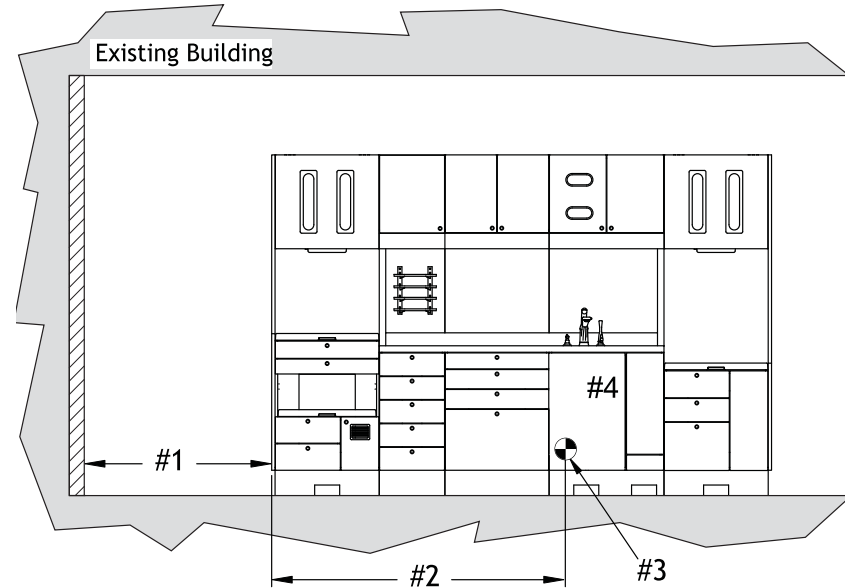
1) Air supply stub for receiving/clean modules with the Auto door option, but without middle modules. One stub is required for each module. Only applies to receiving/clean modules without middle modules.

SPOTTING BACK PANEL LOCATIONS

To spot back panel cut-out locations:

1. Establish the proper spacing between the left side of the 5590 Sterilization Center and the nearest left-hand reference point within the room or building where you will place the unit (#1).
2. Find the location of the specific module being installed (#3) within the configured cabinet by adding up the widths of the modules found between the left end of the cabinet and the left end of the module (#2). (The individual module widths can be found listed on the cabinet illustrations.) Remember to add the width of the end cap on the left side of the cabinet.
3. Once a total spotting location has been determined (sum of distances #1 & #2), mark that point along the edge where the wall meets the floor. This location becomes the base point for all the dimensions found on this module template.
4. Verify the exact module configured within the cabinet, and make sure you have the correct template for that module. Apply the cut-out dimensional information found on the selected template to the proper location on the wall.

Figure 33. Spotting Back Panel Locations



UTILITY TEMPLATES

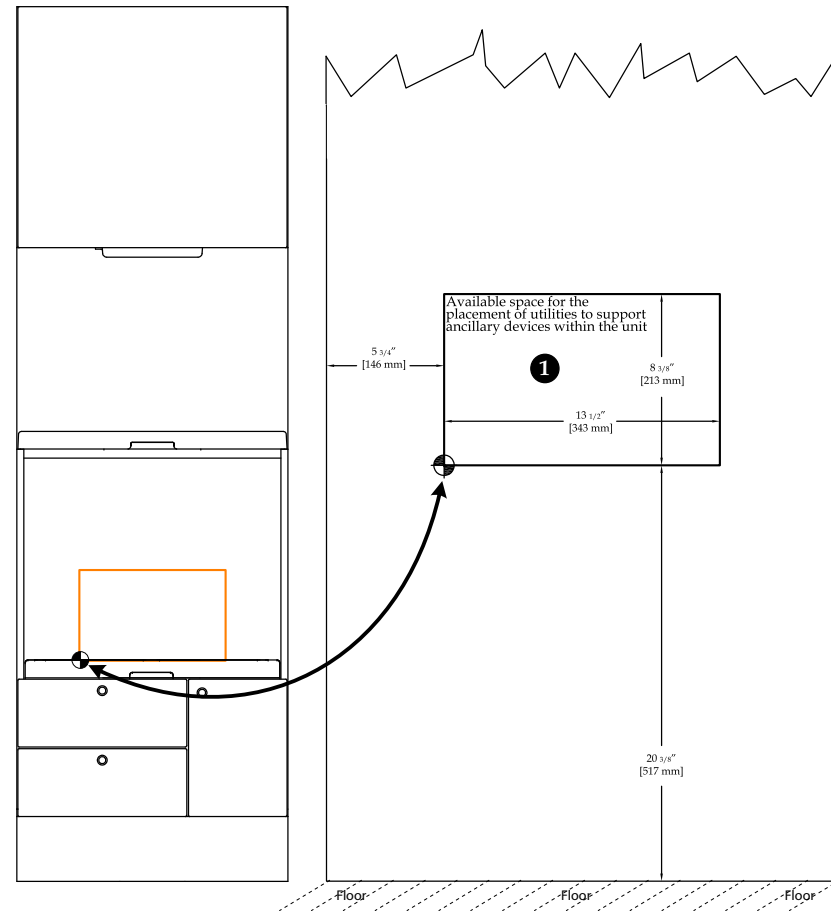
SWD2 Module

Dealer-Specified Requirements

Air, electrical, and water are non-isolated and accessible from the adjacent sink module.

Location 1: Refer to manufacturer's equipment specifications for utility requirements.

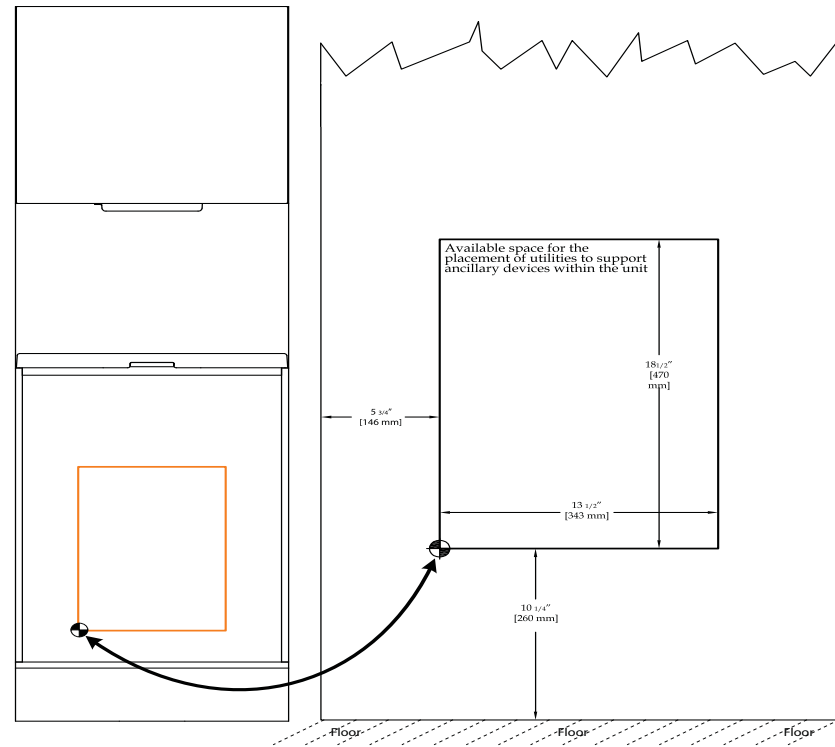
Figure 34. Back Panel Template - SWD2 Module



SLDW2 / SLDW3 Module

Air, electrical, and water are accessed from adjacent sink module.

Figure 35. Back Panel Template - SLDW2 / SLDW3 Module

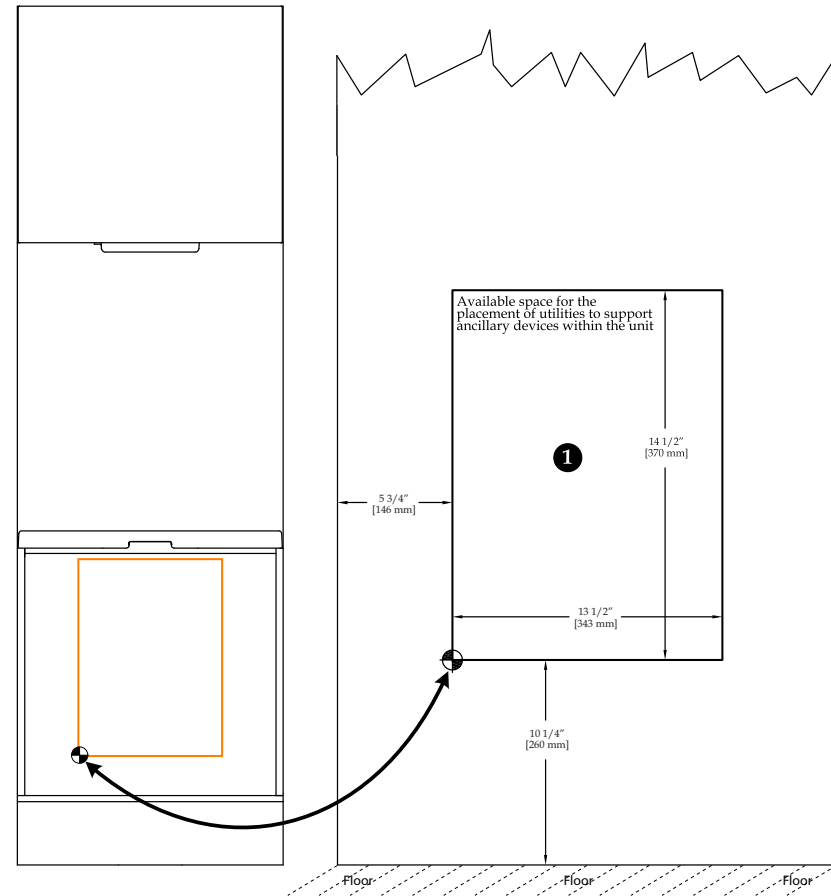


SSD3 Module

Air is accessed from adjacent sink module.

Location 1: Refer to manufacturer's equipment specifications for utility requirements.

Figure 36. Back Panel Template - SSD3 Module

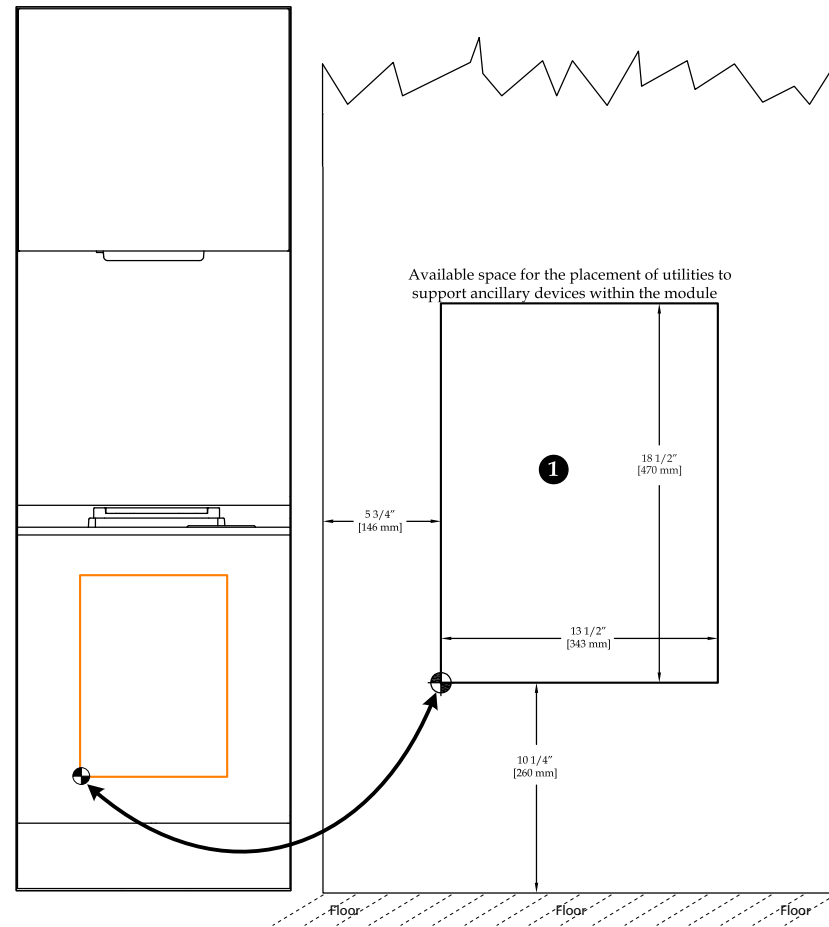


SWS0 Module

Air is accessed from adjacent sink module.

Location 1: Refer to manufacturer's equipment specifications for utility requirements.

Figure 37. Back Panel Template - SWS0 Module



MSRU Module

Dealer-Specified Requirements

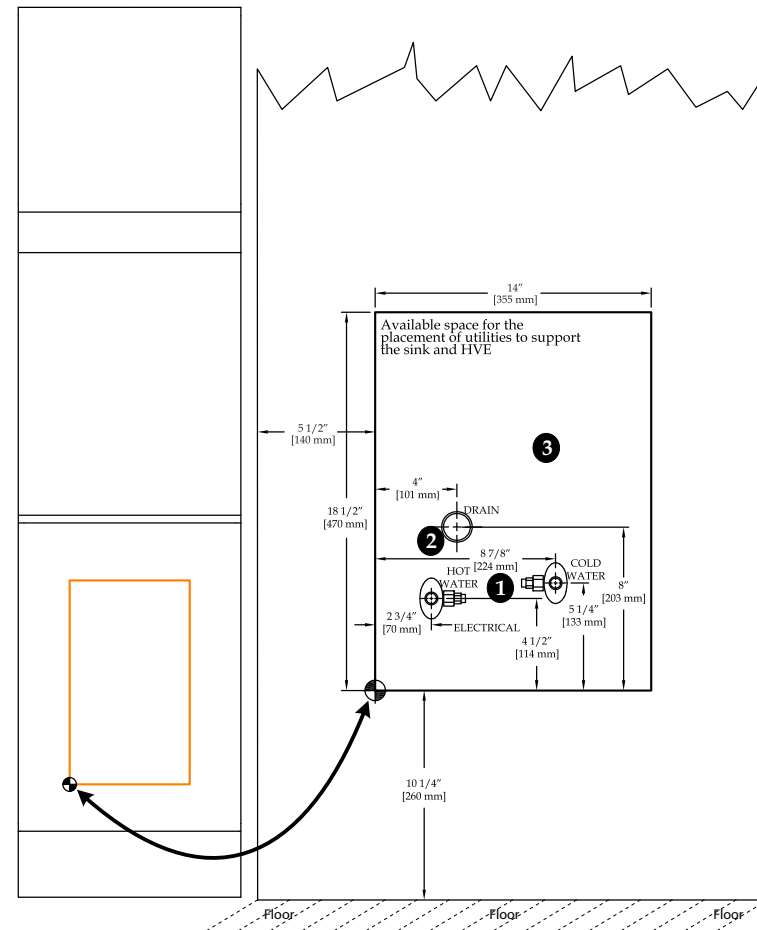
Module either uses utilities from adjacent sink module OR uses utilities listed as shown:

Location 1: Hot/cold water

Location 2: Drain

Location 3: Refer to manufacturer's equipment specifications for utility requirements.

Figure 38. Utility Templates - MSRU Module



MSLW Module

Dealer-Specified Requirements

Location 1: 24" (609.6 mm) flexible conduit and isolated 120V, 20 A service, with no GFCI required to support Preference ICC

Location 2: Hot/cold water

Location 3: Air

Location 4: Drain

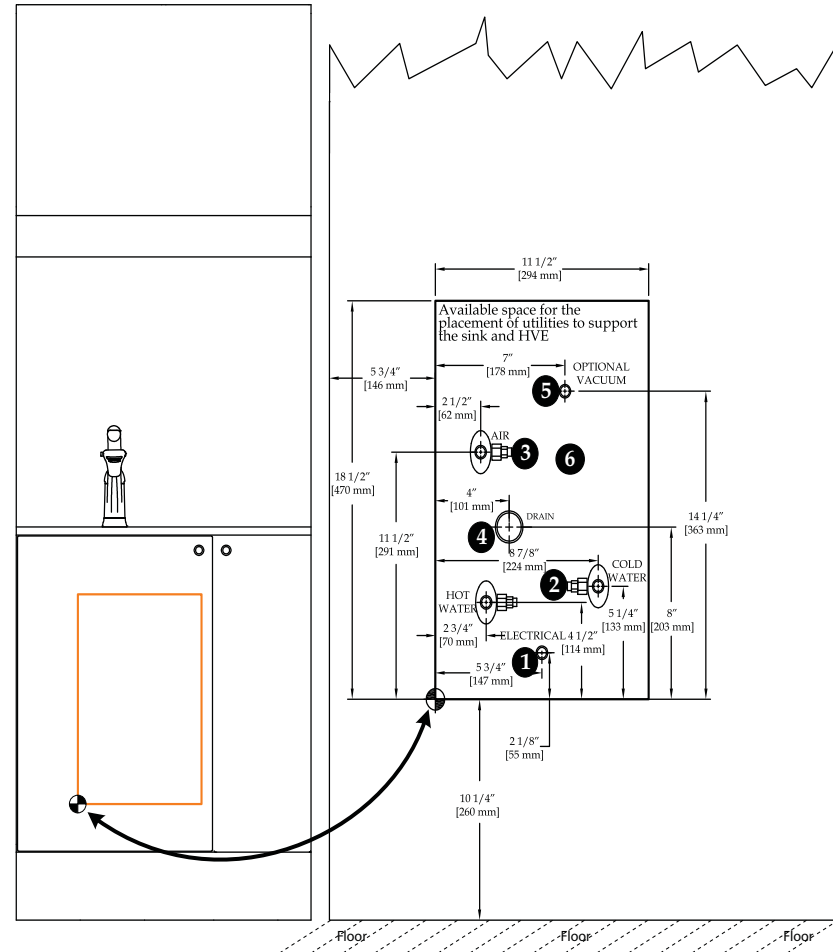


NOTE If you have an HVE, thermal washer, ultrasonic, or any other equipment requiring utilities, please see location 5 and 6. All utilities below are optional.

Location 5: Vacuum for counter mounted HVE

Location 6: Refer to manufacturer's equipment specifications for utility requirements.

Figure 39. Utility Templates - MSLW Module



MSLD Module

Dealer-Specified Requirements

Location 1: 24" (609.6 mm) flexible conduit and isolated 120V, 20 A service, with no GFCI required to support Preference ICC

Location 2: Hot/cold water

Location 3: Air

Location 4: Drain

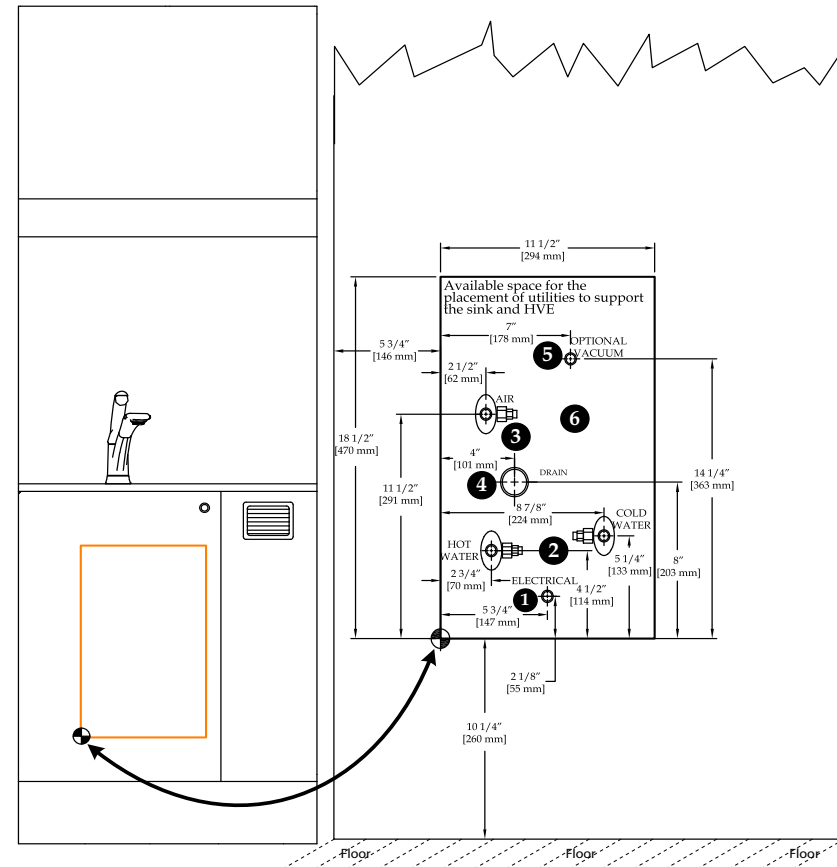


NOTE If you have an HVE, thermal washer, ultrasonic, or any other equipment requiring utilities, please see location 5 and 6. All utilities below are optional.

Location 5: Vacuum for counter mounted HVE

Location 6: Refer to manufacturer's equipment specifications for utility requirements.

Figure 40. Utility Templates - MSLD Module



MSRW Module

Dealer-Specified Requirements

Location 1: 24" (609.6 mm) flexible conduit and isolated 120V, 20 A service, with no GFCI required to support Preference ICC

Location 2: Hot/cold water

Location 3: Air

Location 4: Drain

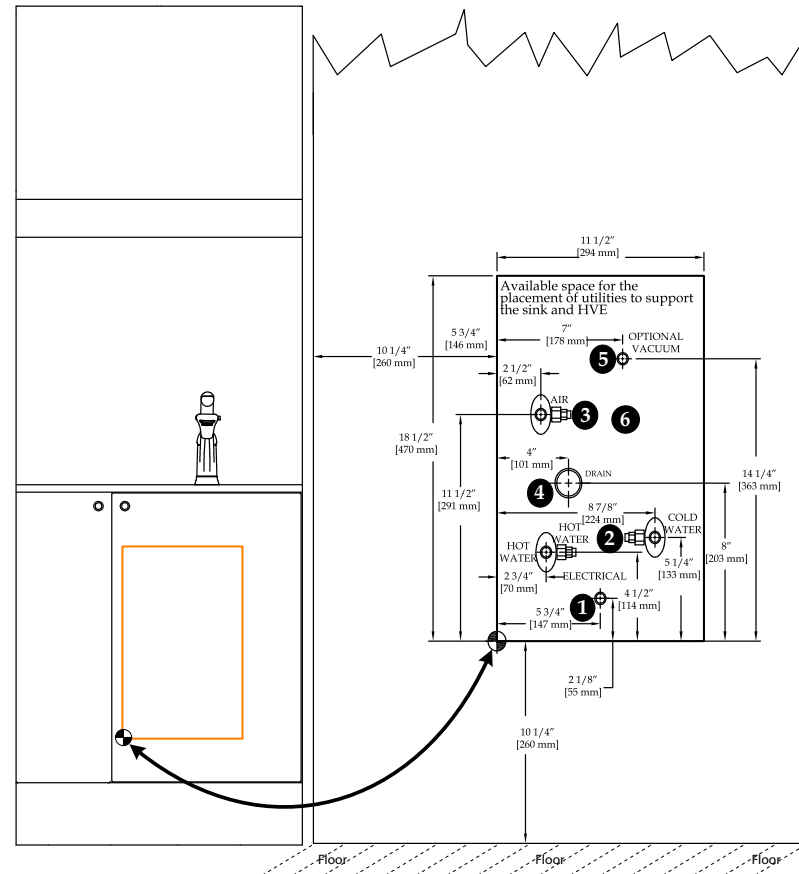


NOTE If you have an HVE, thermal washer, ultrasonic, or any other equipment requiring utilities, please see location 5 and 6. All utilities below are optional.

Location 5: Vacuum for counter mounted HVE

Location 6: Refer to manufacturer's equipment specifications for utility requirements.

Figure 41. Utility Templates - MSRW Module



MSRD Module

Dealer-Specified Requirements

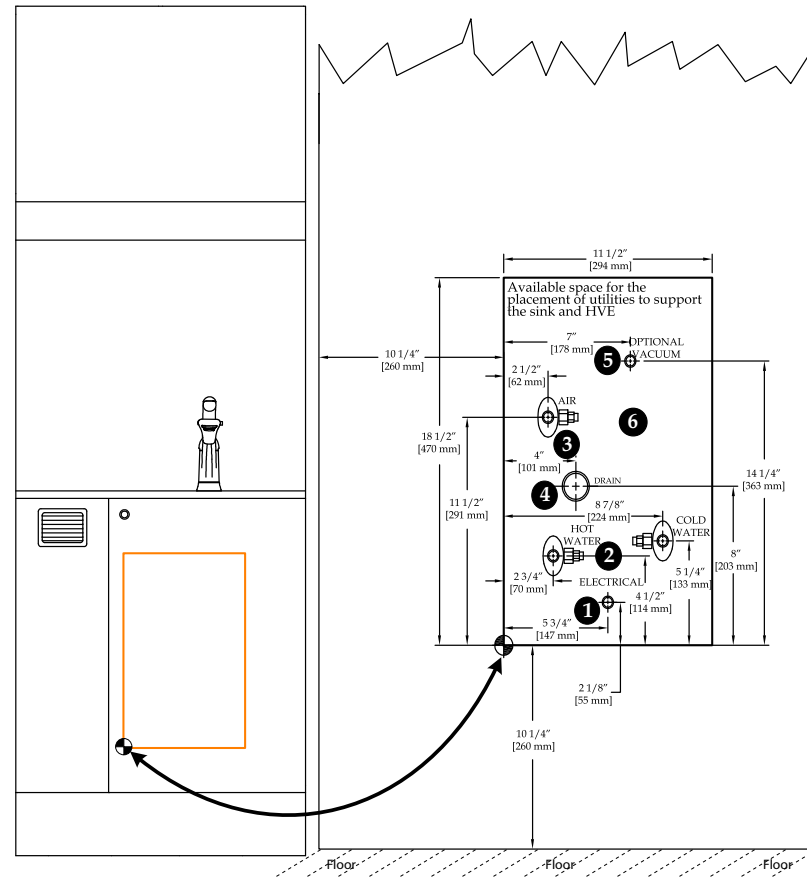
- Location 1: 24" (609.6 mm) flexible conduit and isolated 120V, 20 A service, with no GFCI required to support Preference ICC
- Location 2: Hot/cold water
- Location 3: Air
- Location 4: Drain



NOTE If you have an HVE, thermal washer, ultrasonic, or any other equipment requiring utilities, please see location 5 and 6. All utilities below are optional.

- Location 5: Vacuum for counter mounted HVE
- Location 6: Refer to manufacturer's equipment specifications for utility requirements.

Figure 42. Utility Templates - MSRD Module



MSSD Module

Dealer-Specified Requirements

Location 1: 24" (609.6 mm) flexible conduit and isolated 120V, 20 A service, with no GFCI required to support Preference ICC

Location 2: Hot/cold water

Location 3: Air

Location 4: Drain

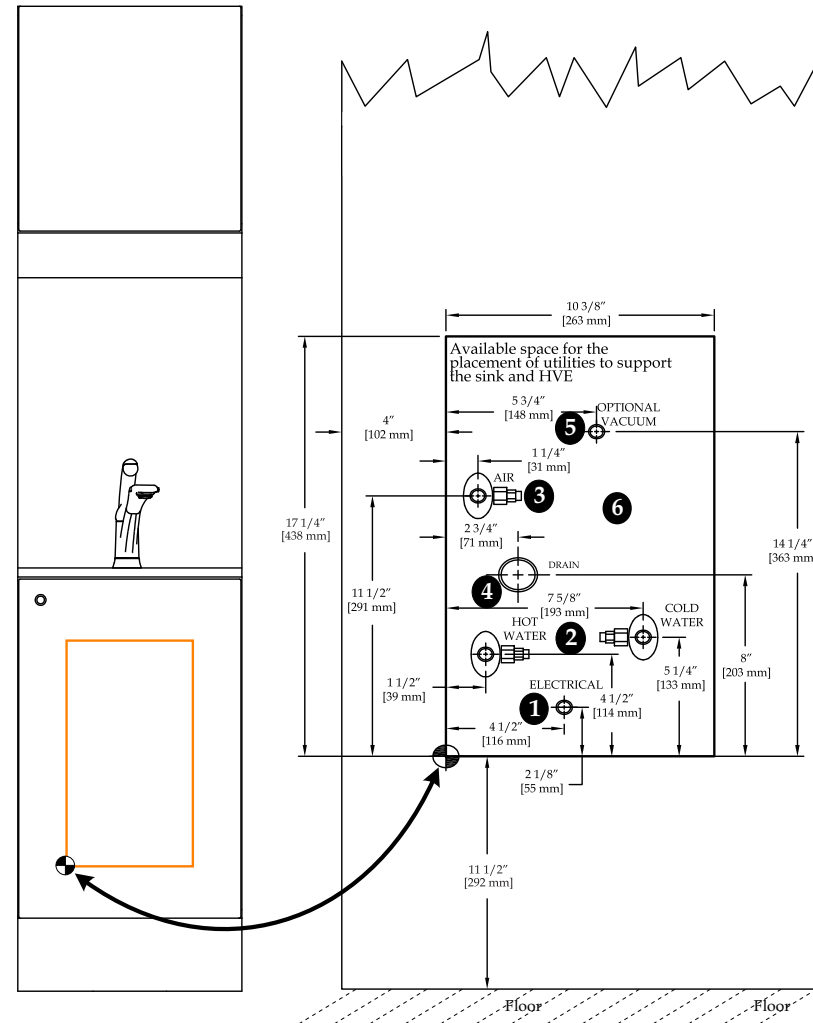


NOTE If you have an HVE, thermal washer, ultrasonic, or any other equipment requiring utilities, please see location 5 and 6. All utilities below are optional.

Location 5: Vacuum for counter mounted HVE

Location 6: Refer to manufacturer's equipment specifications for utility requirements.

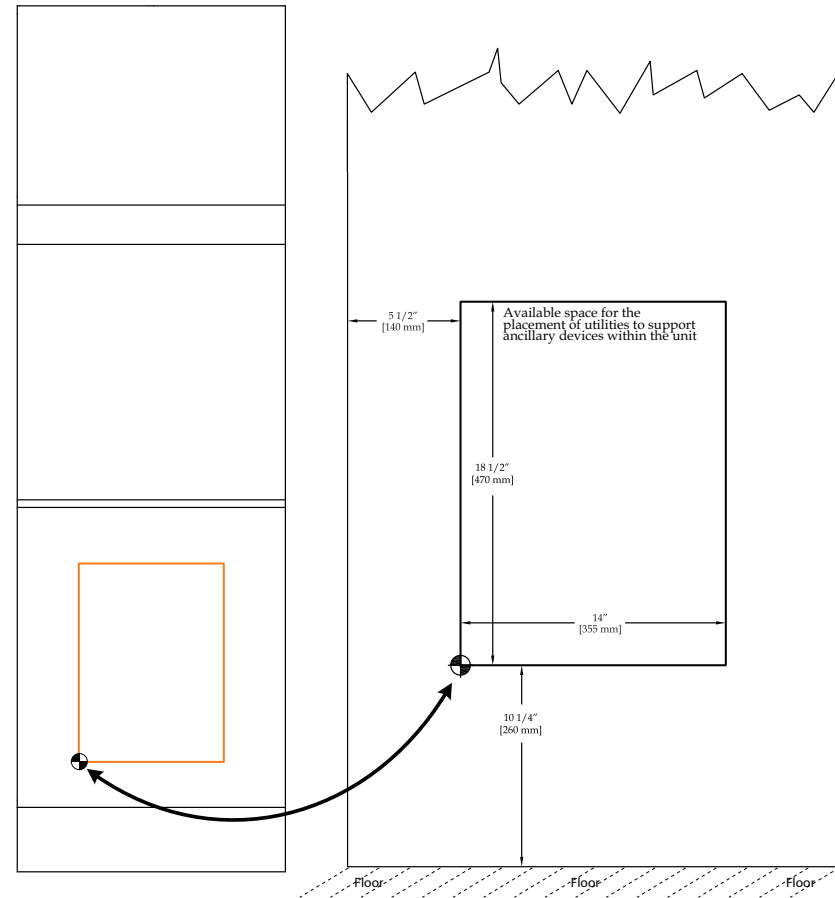
Figure 43. Utility Templates - MSSD Module



MPS4 Module

No dedicated utilities required.

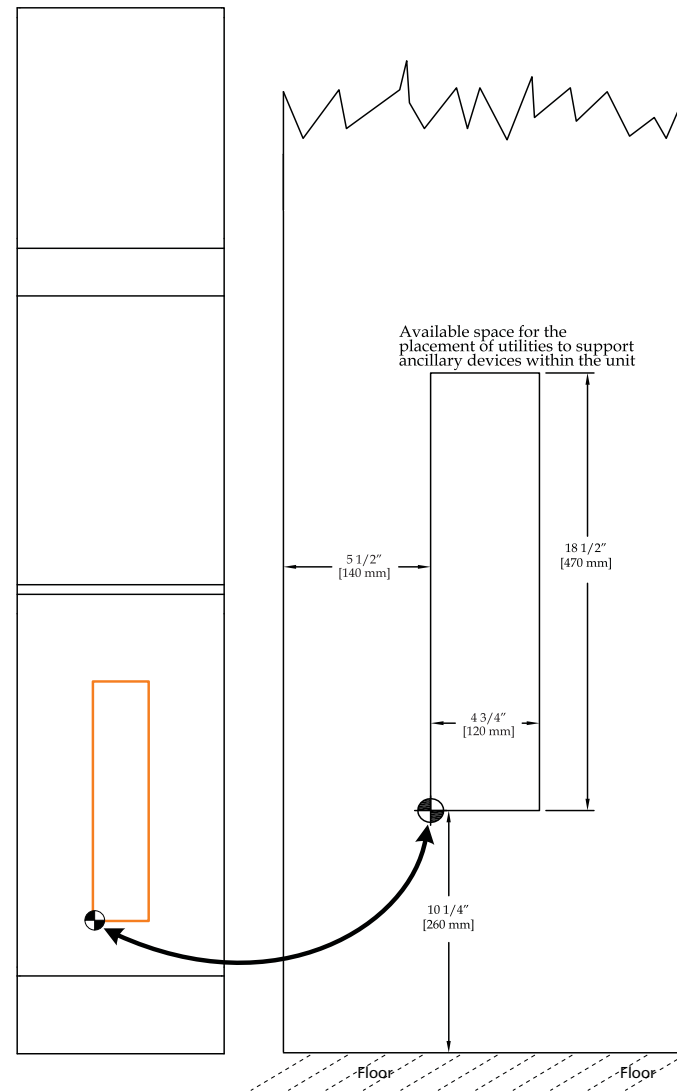
Figure 44. Back Panel Template - MPS4 Module



MDM5 Module

No dedicated utilities required.

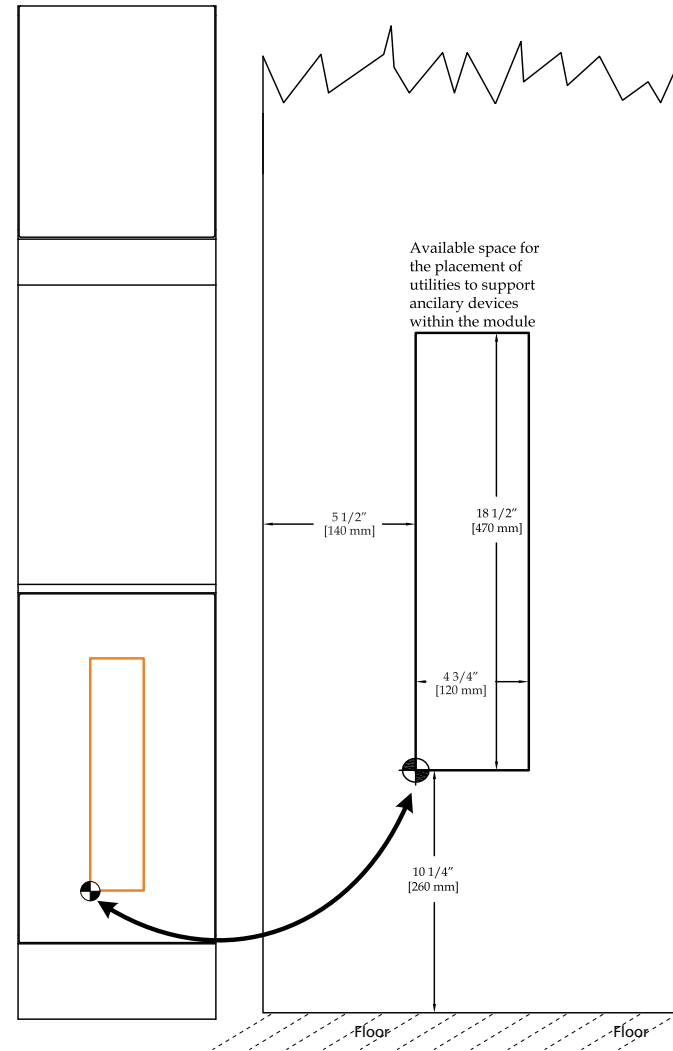
Figure 45. Back Panel Templates - MDM5 Module



MSMD Module

No dedicated utilities required.

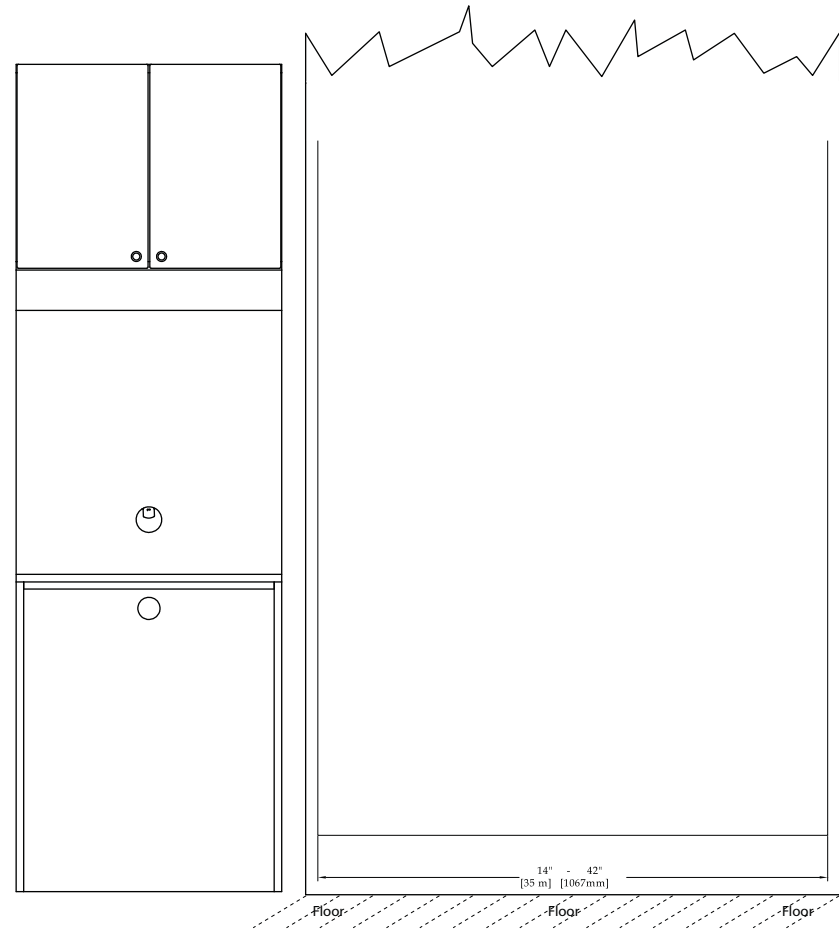
Figure 46. Back Panel Template - MSMD Module



MDKO Module

No dedicated utilities required.

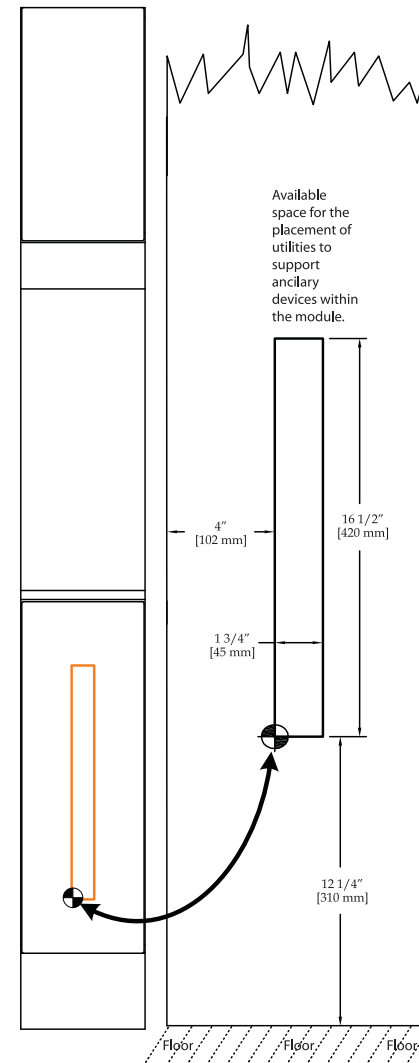
Figure 47. Back Panel Template - MDKO Module



MWMD Module

No dedicated utilities required.

Figure 48. Back Panel Template - MWMD Module



BACK PANEL TEMPLATES

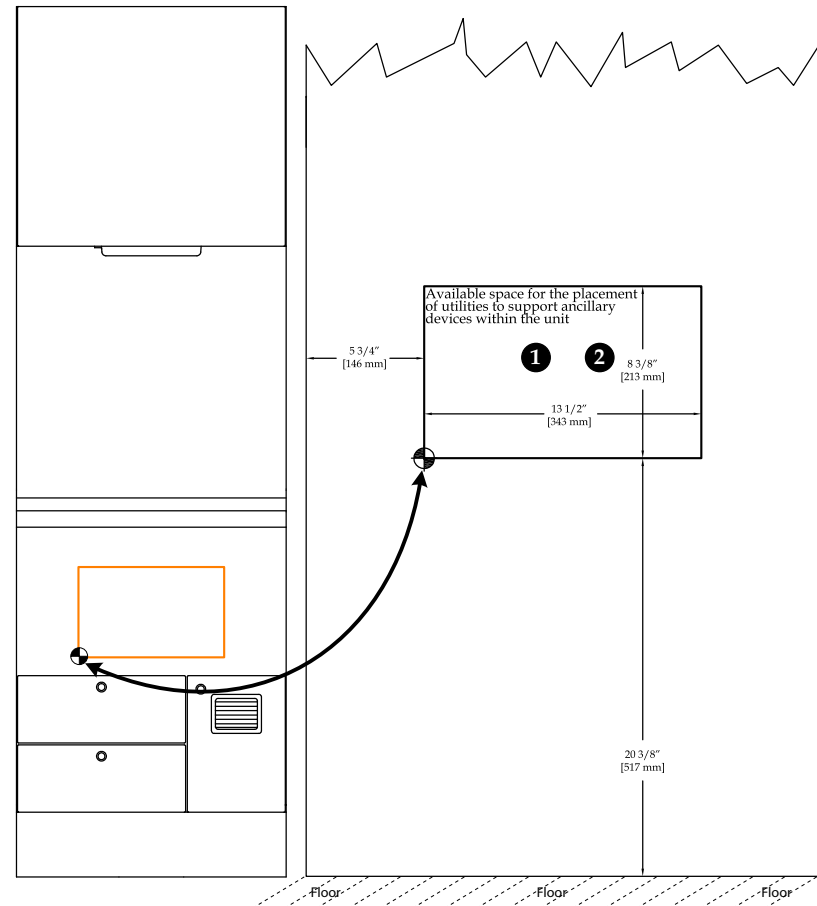
CSD3 Module

Dealer-Specified Requirements

Location 1: Non-isolated 120V Quad, 20 A, with no GFCI required for ventilation fan and 120V ancillary

Location 2: Refer to manufacturer's equipment specifications for utility requirements.

Figure 49. Back Panel Templates - CSD3 Module

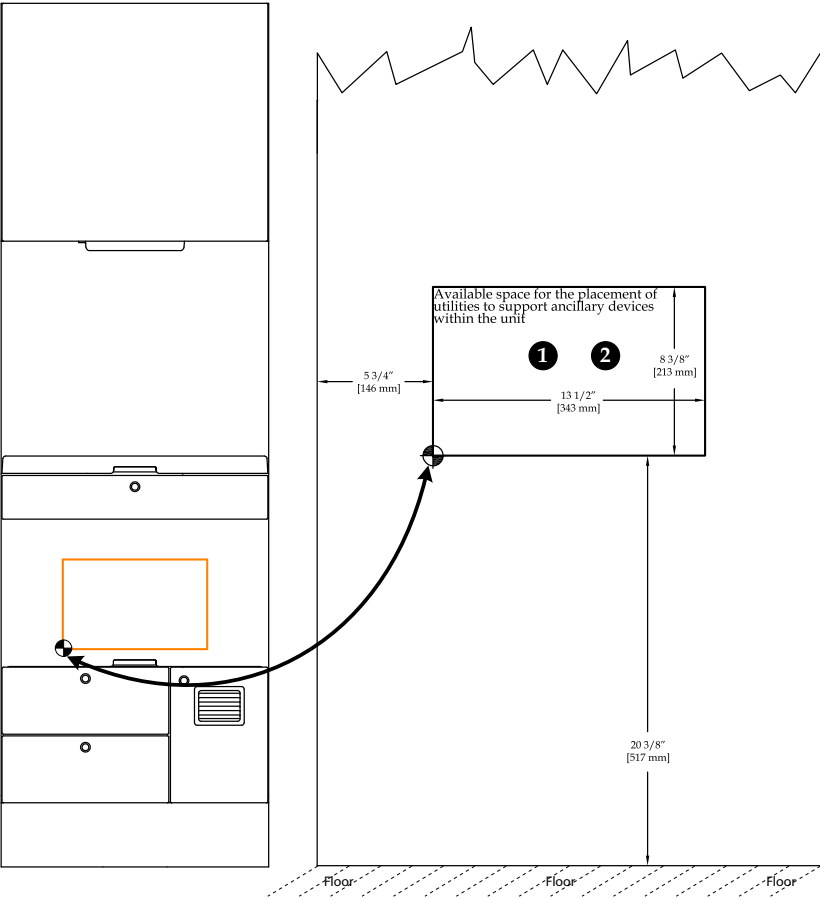


CSS4 Module

Dealer-Specified Requirements

- Location 1:** Non-isolated 120V quad, 20 A, with no GFCI required for ventilation fan and 120V ancillaries
- Location 2:** Refer to manufacturer’s equipment specifications for utility requirements.

Figure 50. Back Panel Template - CSS4 Module



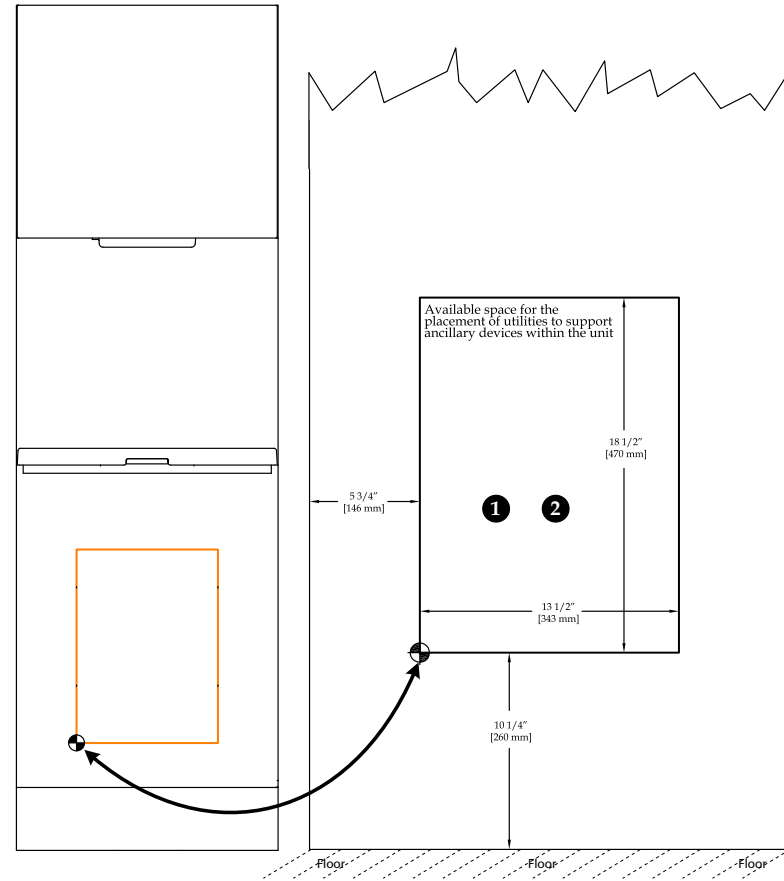
CLS5 Module

Dealer-Specified Requirements

Location 1: Non-isolated 120V Quad, 20 A, with no GFCI required for ventilation fan and 120V ancillaries

Location 2: Refer to manufacturer's equipment specifications for utility requirements.

Figure 51. Back Panel Templates - CLS5 Module

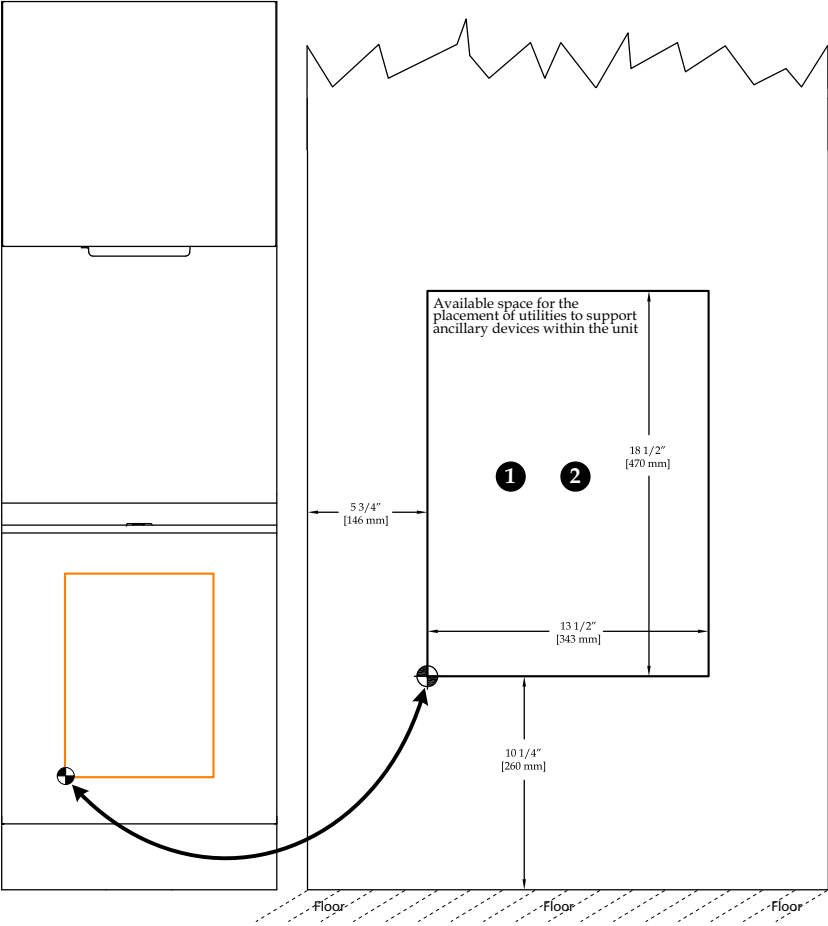


CTP4 Module

Dealer-Specified Requirements

- Location 1:** Non-isolated 120V Quad, 20 A, with no GFCI required for ventilation fan and 120V ancillaries
- Location 2:** Refer to manufacturer’s equipment specifications for utility requirements.

Figure 52. Back Panel Template - CTP4 Module



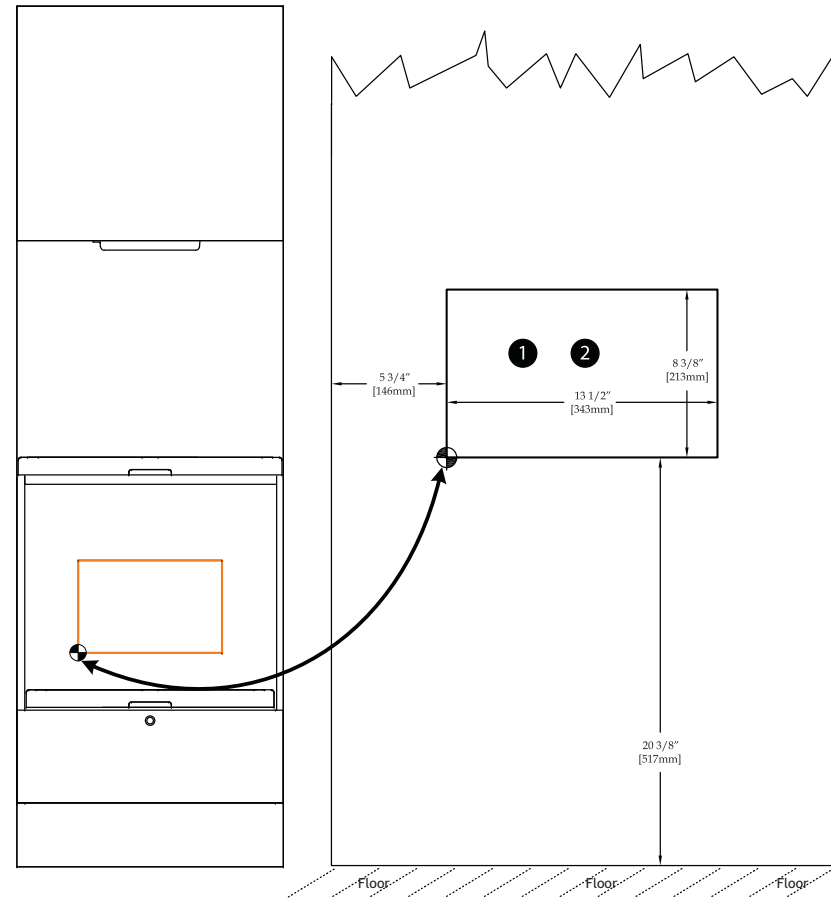
C2S2B Module

Dealer-Specified Requirements

Location 1: Non-isolated 120V Quad, 20 A, with no GFCI required for ventilation fan and 120V ancillaries

Location 2: Refer to manufacturer's equipment specifications for utility requirements.

Figure 53. Back Panel Template - C2S2B Module

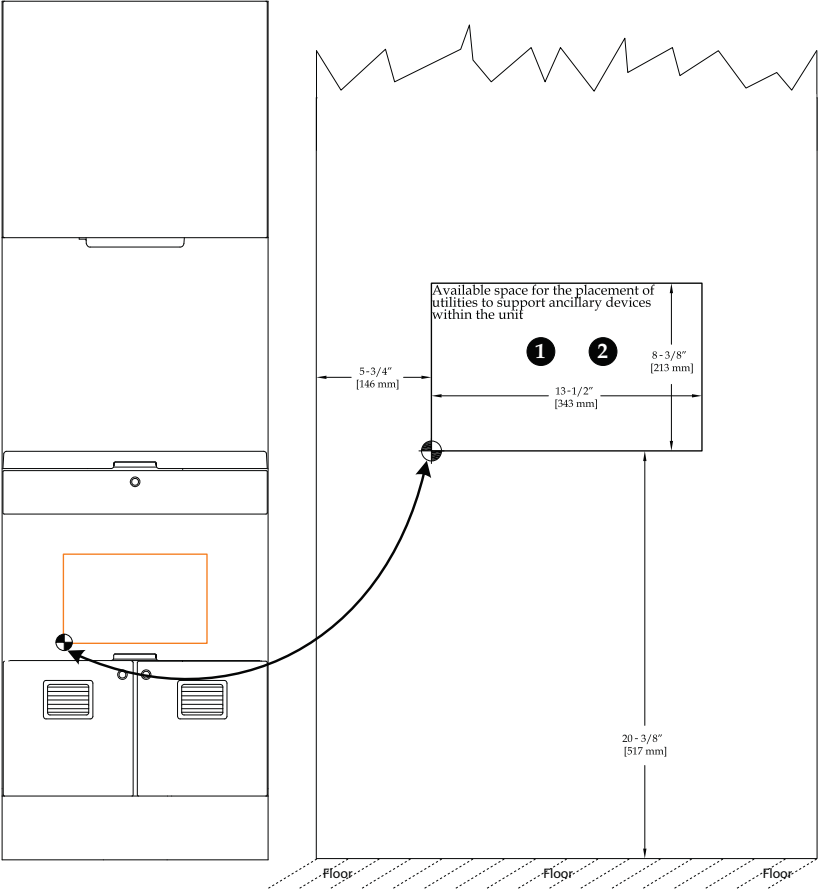


CSS1 Module

Dealer-Specified Requirements

- Location 1: Non-isolated 120V Quad, 20 A, with no GFCI required for ventilation fan and 120V ancillaries
- Location 2: Refer to manufacturer’s equipment specifications for utility requirements.

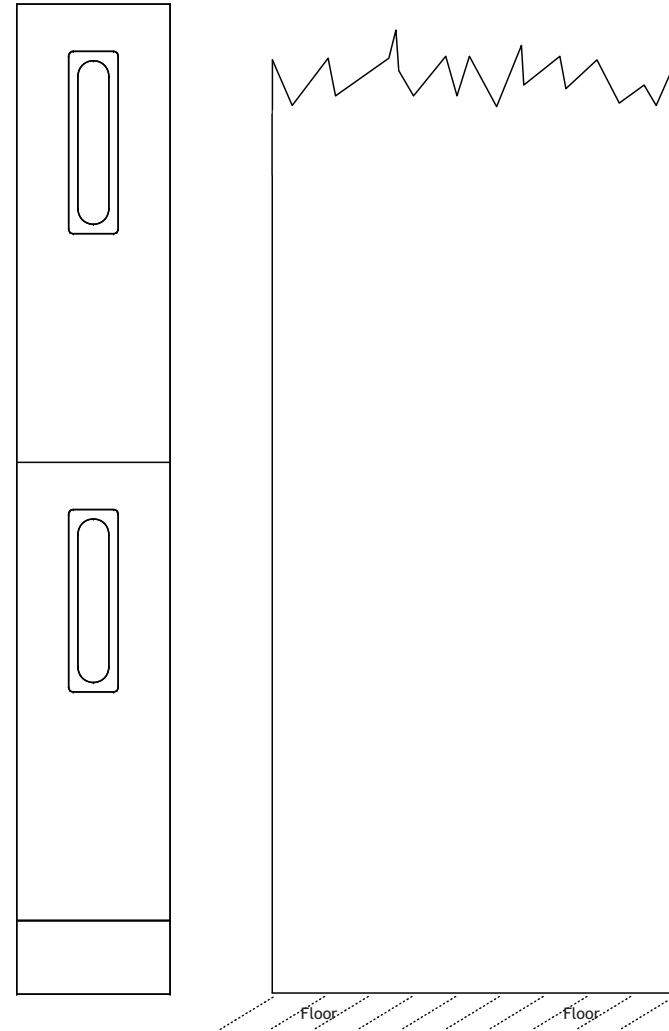
Figure 54. Back Panel Template - CSS1 Module



CST1-12 Module

No dedicated utilities required.

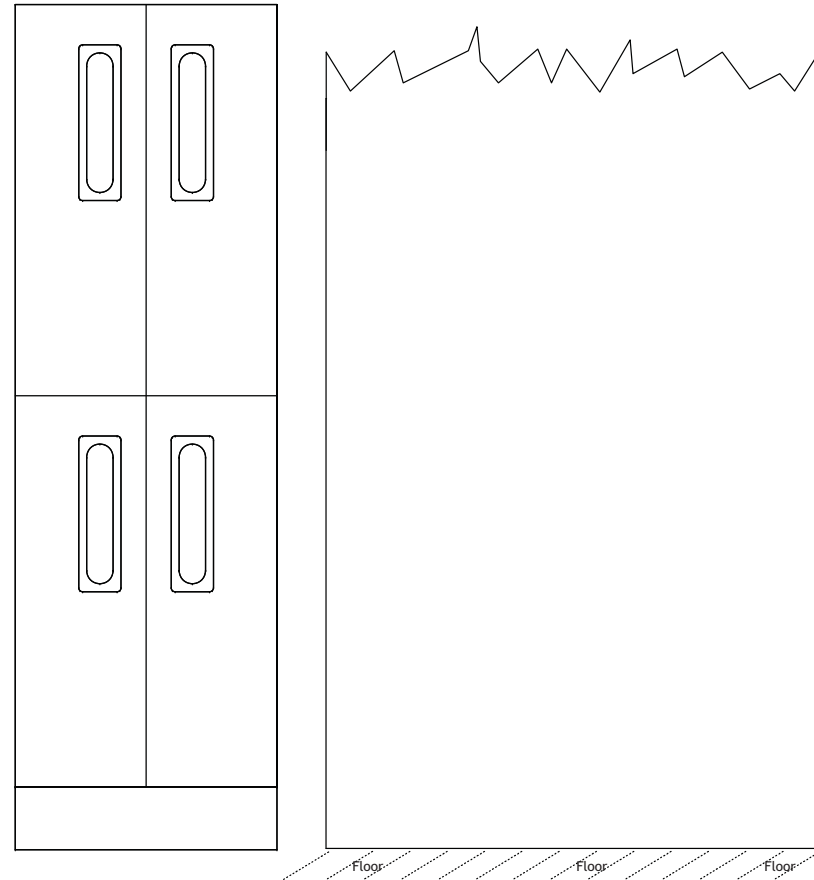
Figure 55. Back Panel Template - CST1-12 Module



CST1-25 Module

No dedicated utilities required.

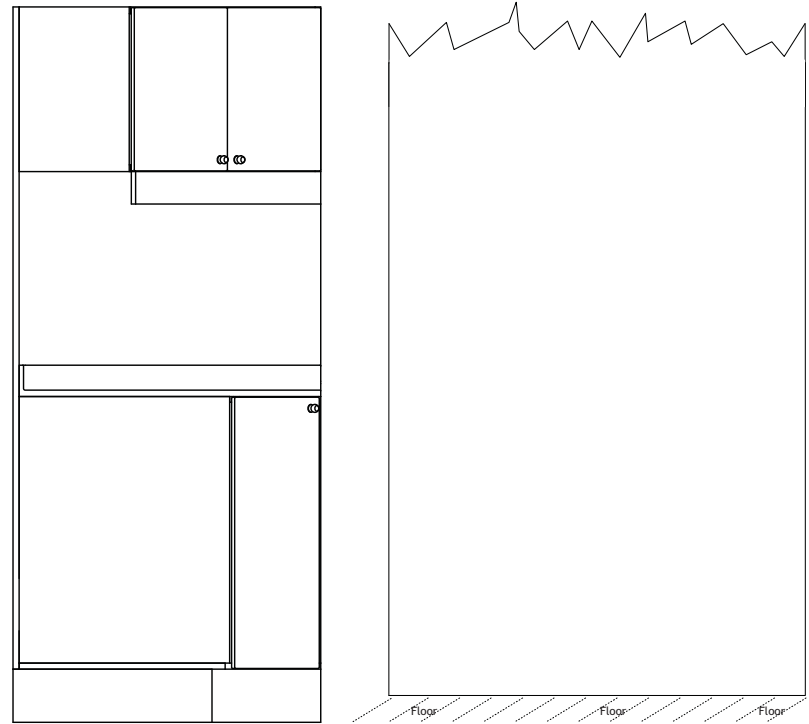
Figure 56. Back Panel Template - CST1-25 Module



CRNR Module

No dedicated utilities required.

Figure 57. Back Panel Template - CRNR Module





PREFERENCE SLIMLINE

The A-dec Preference Slimline utility consoles are designed to solve space issues in treatment rooms where traditional cabinetry is too large or constraining.

This section of the *Dental Furniture Pre-Installation Guide* includes:

- Estimated Shipping Weights
- Mounting Specifications
- Framing and Reinforcing Specifications
- Utility Specifications
- Full-Size Template Reference



ESTIMATED SHIPPING WEIGHTS

Preference Slimline

Table 12. Estimated Shipping Weights (lamininate, solid surface / Quartz)

Model Number	Pounds	Kilograms
5536.18	70 / 75	32 / 34
5536.34	117 / 125	53 / 57
5537.18	75 / 80	34 / 36
5537.34	126 / 134	57 / 61
5636.18	56 / 61	25 / 28
5636.34	90 / 98	41 / 45
5731.34 x 9"	67	30

MOUNTING SPECIFICATIONS

5636 Utility Console, Wall-Mount



WARNING Consult a licensed professional, i.e. structural or architectural engineer, for mounting to metal stud or masonry walls. Ensure that all installations conform to local code requirements. Mounting structures must be designed to support a minimum shear load of 100 lb. (445N) and a minimum moment of 112 ft-lbs. (152 N-m).

Metal Stud Walls

1-1/4" x 3-1/2" x 22 ga minimum.

Top: Add minimum 2-1/2" x 22 ga stiffener between studs and behind full length of mounting cleat. Reference Table 13 on page 77 for required quantity of T.W. anchors to be installed through studs and/or stiffener.

Bottom: #9 x 2-1/4" S.D. screw in each stud.

Wood Stud Walls

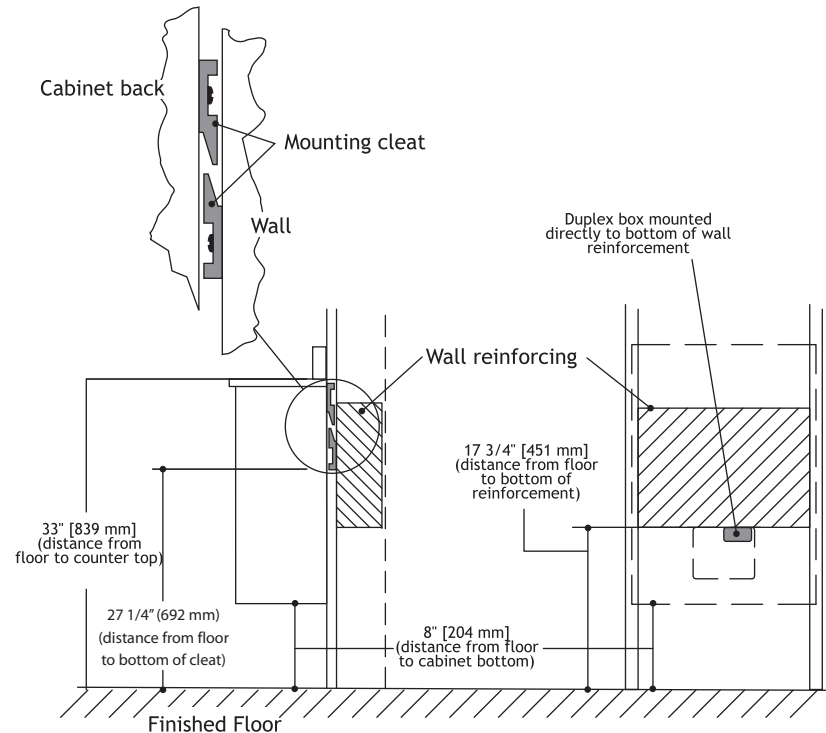
Two minimum std or better/D.F. or S.P.

Top: Reference Table 13 on page 77 for required quantity of #10 X 3" wood screws to be installed through studs and/or stiffener.

Bottom: #10 x 3" wood screws into two studs minimum.

Refer to page 2 for required consultation.

Figure 58. 5636 Mounting Cleat Attaching to Wall



FRAMING AND REINFORCING SPECIFICATIONS

5636 Utility Console, Wall-Mount

Framing

Minimum requirements for attachment and for wall construction have been determined by an independent structural engineering company. Documented detail is available from A-dec. Refer to page 2 for required consultation.

Metal Stud Wall

Minimum stud:

1-1/4" (31.8 mm) x 3-1/2" (89 mm) x 22 ga @ 24" o.c.

Typical Attachment:

#9 x 2-1/4" (57.1 mm) self-drilling screws.

Wood Stud Wall

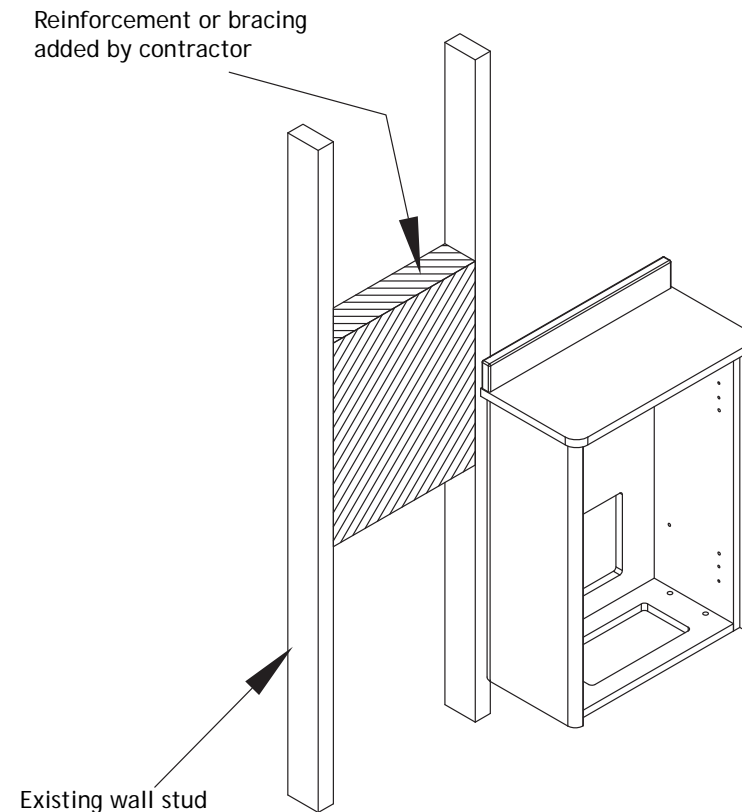
Minimum stud standard or better:

2x4 @ 24" (609.6 mm) o.c.

Typical Attachment:

#10 x 3" (76.2 mm) self-drilling screws.

Figure 59. 5636 Wall Reinforcement



Reinforcing

You must make attachments to stud walls and reinforcements when mounting the utility console. Consult your local building contractor, state and local codes when mounting a utility console to walls with something other than wood or metal stud construction. Refer to page 2 for required consultation.

Table 13. Minimum Number of Direct Attachments

Utility Console Length	Screws to Mount Cleat
18" (457.2 mm)	2
34" (863.6 mm)	4

Metal Stud Walls

Metal stud constructed walls must be reinforced or braced per building contractors recommendations and local and state codes.

Wood Stud Walls

Wood stud constructed walls must be reinforced or braced per building contractors recommendations and local and state codes.



CAUTION Be sure the wall studs, reinforcement/
bracing supports a minimum of:

- 150 lb. (68 kg) for a 18" (457.2 mm)
utility console
 - 200 lb. (91 kg) for a 34" (863.6 mm)
utility console
-

Figure 60. Reinforcing - 5636 18" Utility Console Wall-Mount

18" Reinforcement
location from
finished floor

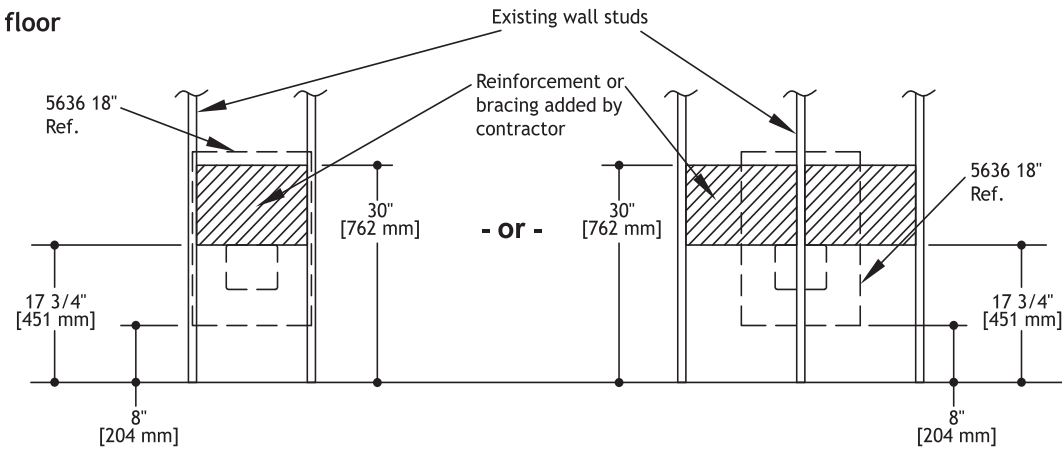
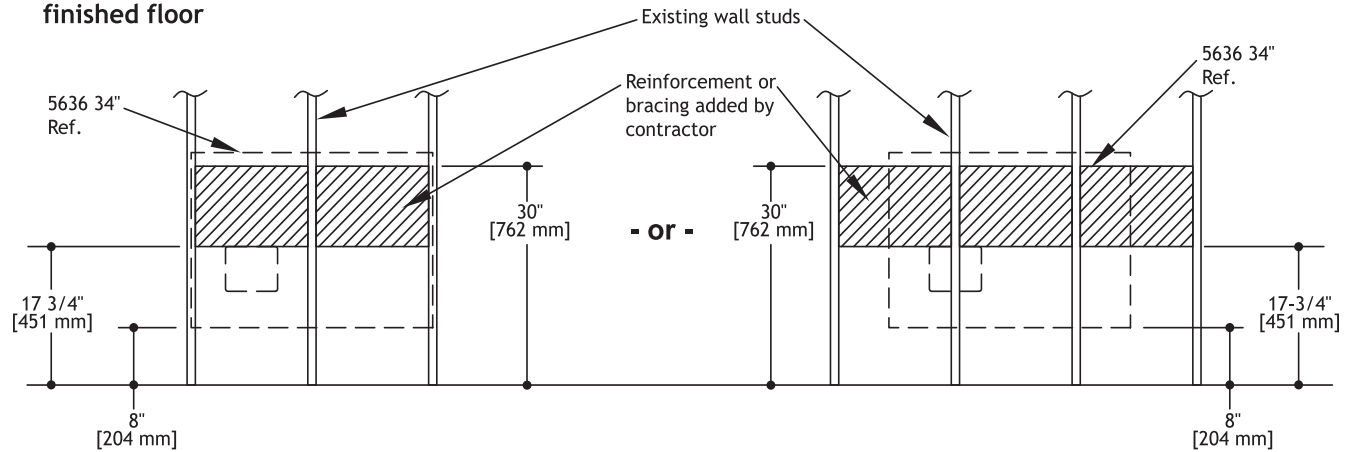


Figure 61. Reinforcing - 5636 34" Utility Console Wall-Mount

34" Reinforcement
location from
finished floor



UTILITY SPECIFICATIONS

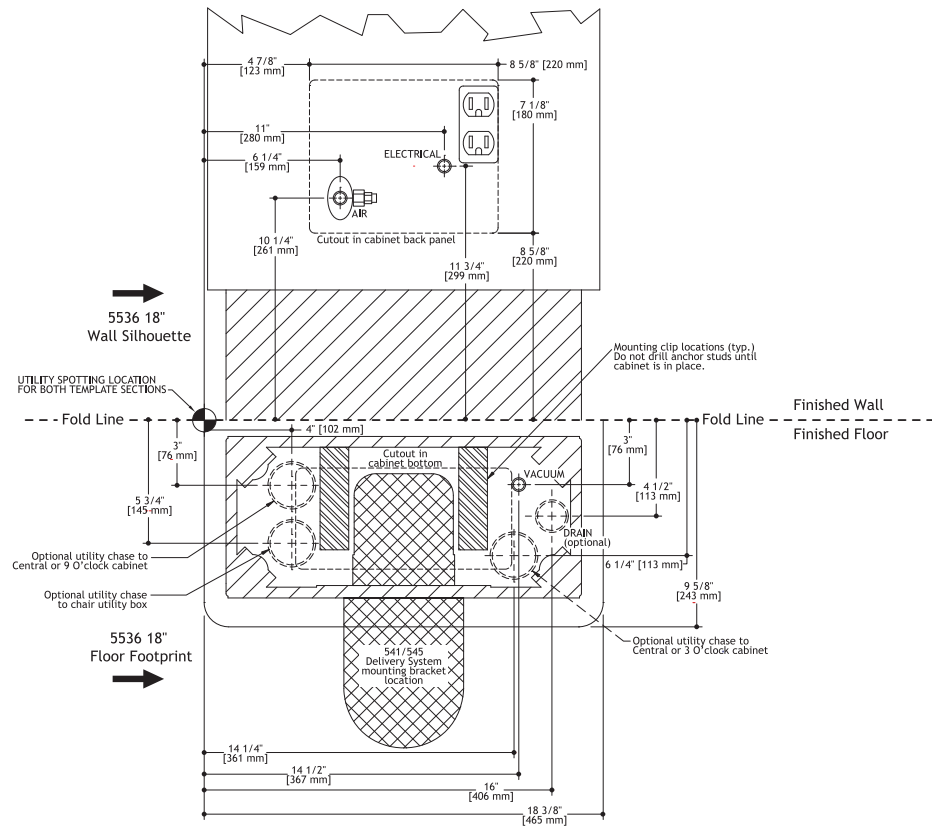
Table 14. Utility Specifications - Preference Slimline

Utility	Finish	Requirement
Air	Protrude 1" (25.4 mm) for 3/8" compression	80-125 psi (550 to 860 KPa), 2.5 scfm (71 sl/min) minimum, during normal use (7.5 scfm [210 sl/min] peak intermittent flow. Flush lines prior to making connections to dental equipment.
Water	Protrude 1" (25.4 mm) for 3/8" compression	60 ± 20 psi (410 ±140 KPa), 1.5 gpm (5.7 l/min) minimum, not to exceed 40°C (104°F). Flush lines prior to making connections to dental equipment.
Central vacuum	Protrude 1" (25.4 mm) for 5/8" (16 mm) O.D. tubing and other specified by the central vacuum supplier	Wet Systems: 10 ± 2 inches of Hg (34 ± 7 KPa) and 9 scfm (255 sl/min) minimum. Dry/Semi-dry Systems 4.5 ± 1 inches of Hg (16 ± 3.5 KPa) and 12 scfm (340 sl/min) minimum.
Electrical	Protrude 1" (25.4 mm)	Refer to the electrical requirements listed throughout this section.

5536 18" Utility Console

This product configuration supports the use of 541/545 delivery systems.

Figure 62. Utility Specifications - 5536 18" Utility Console

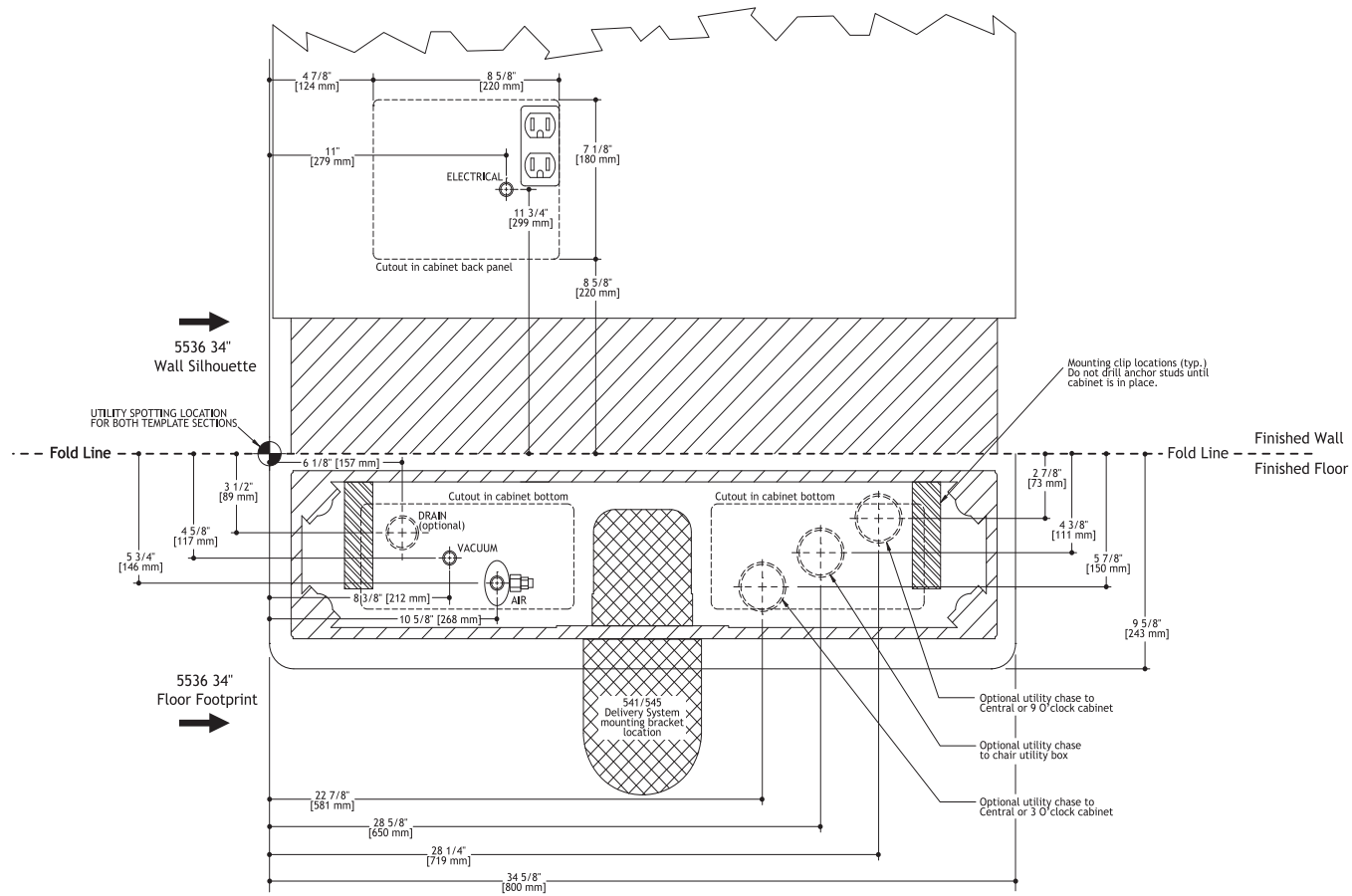


5536 34" Utility Console

Left-Side Delivery

This product configuration supports the use of 541/545 delivery systems.

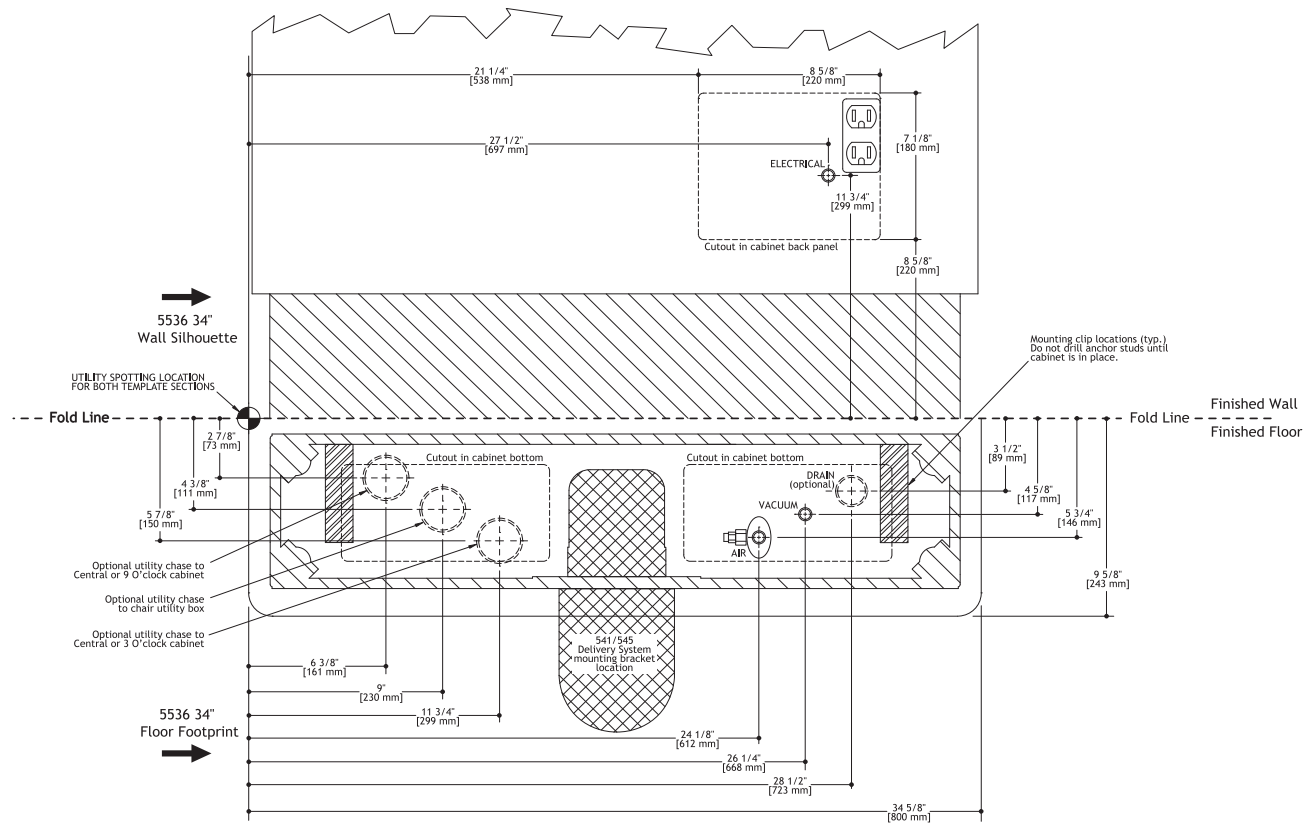
Figure 63. Utility Specifications - 5536 34" Utility Console - Left-Side Delivery



Right-Side Delivery

This product configuration supports the use of 541/545 delivery systems

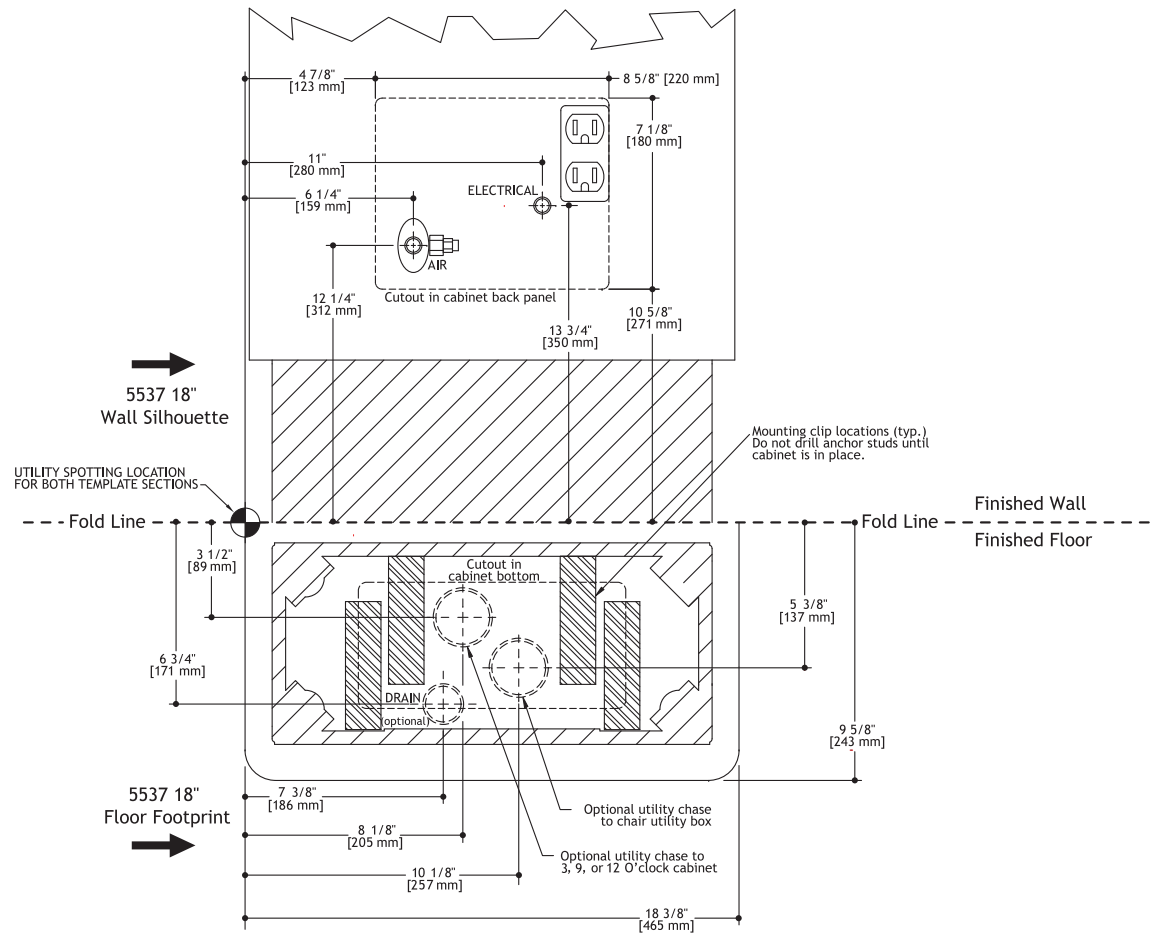
Figure 64. Utility Specifications - 5536 34" Utility Console - Right-Side Delivery



5537 18" Utility Console

This product configuration supports the use of 541/545 delivery systems.

Figure 65. Utility Specifications - 5537 18" Utility Console

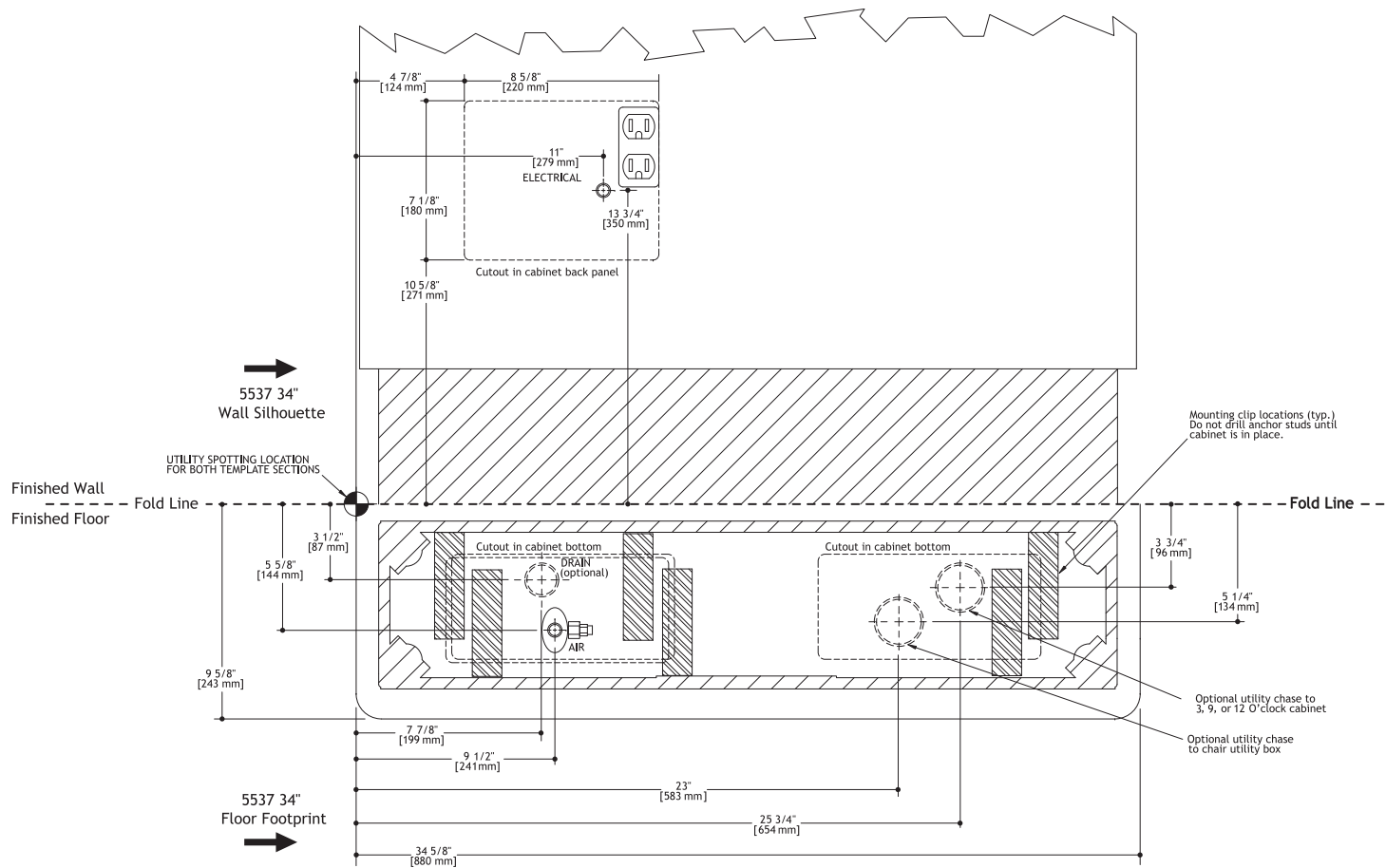


5537 34" Utility Console

Left-Side Delivery

This product configuration supports the use of 541/545 delivery systems.

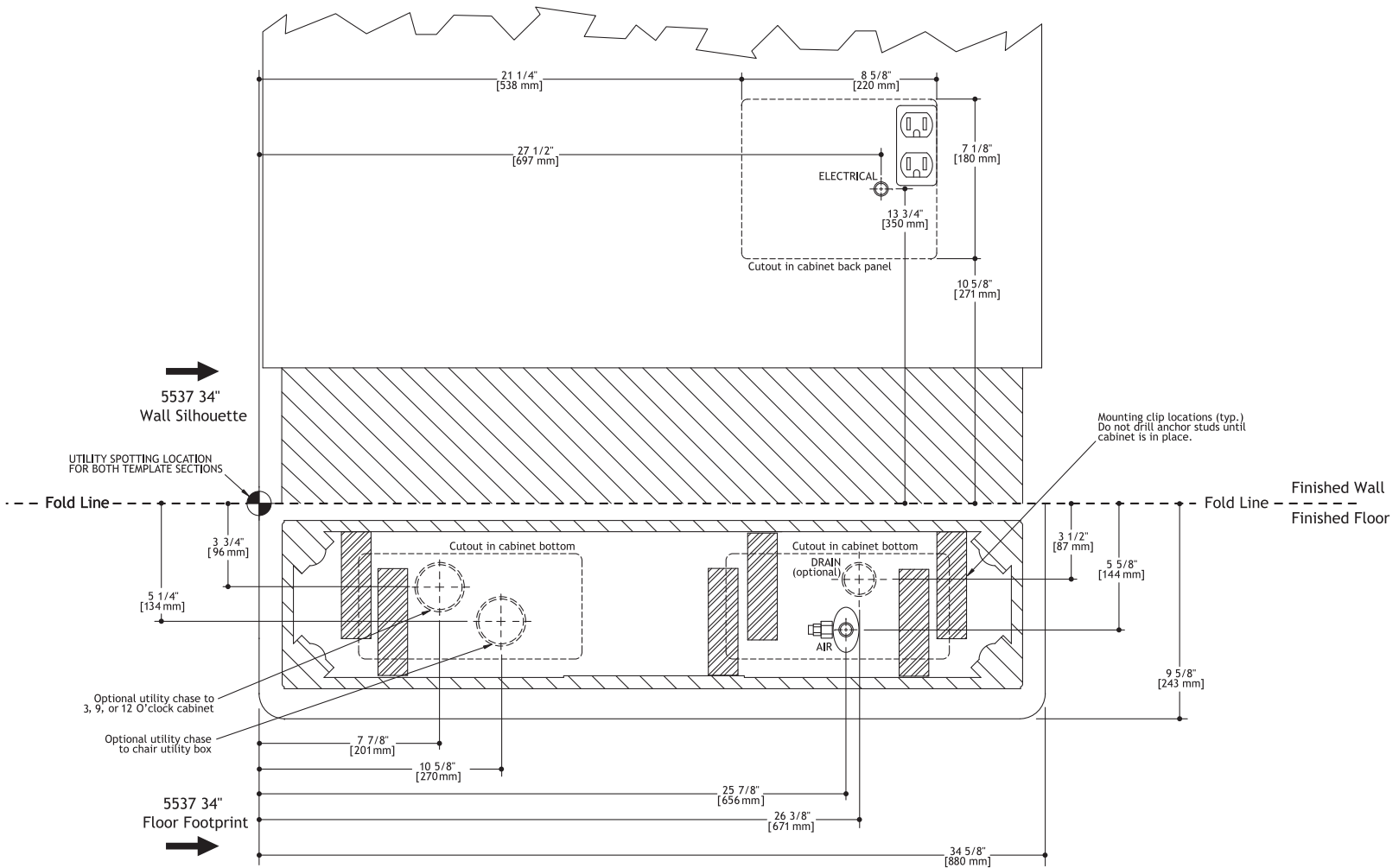
Figure 66. Utility Specifications - 5537 34" Utility Console - Left-Side Delivery



Right-Side Delivery

This product configuration supports the use of 541/545 delivery systems.

Figure 67. Utility Specifications - 5537 34" Utility Console - Right-Side Delivery

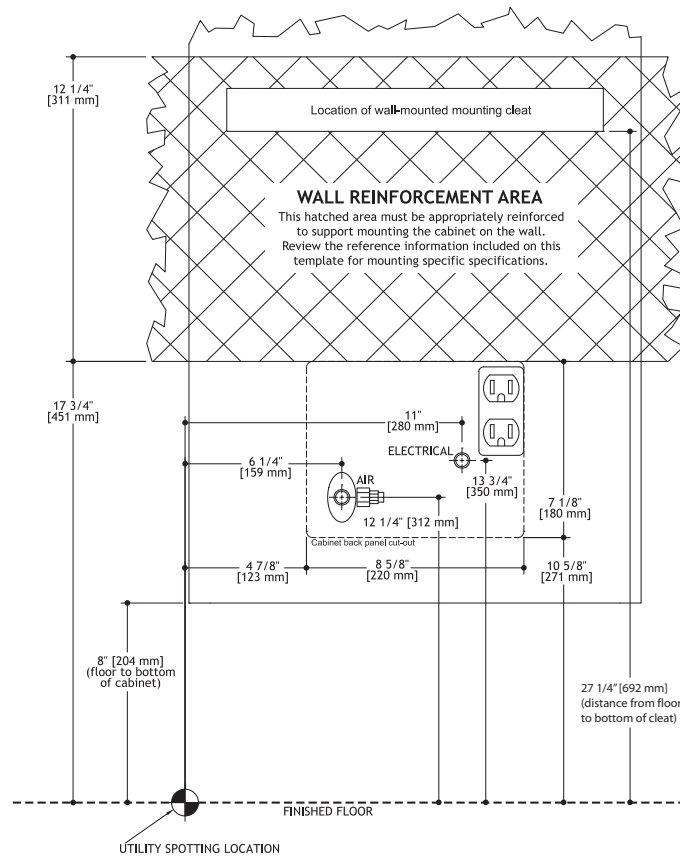


5636 18" Utility Console Wall-Mount



NOTE No plumbing available through the floor directly under the cabinet. Refer to Optional Template "A" for location of optional utilities. In cases where wall plumbing is not an option, refer to Optional Template "B."

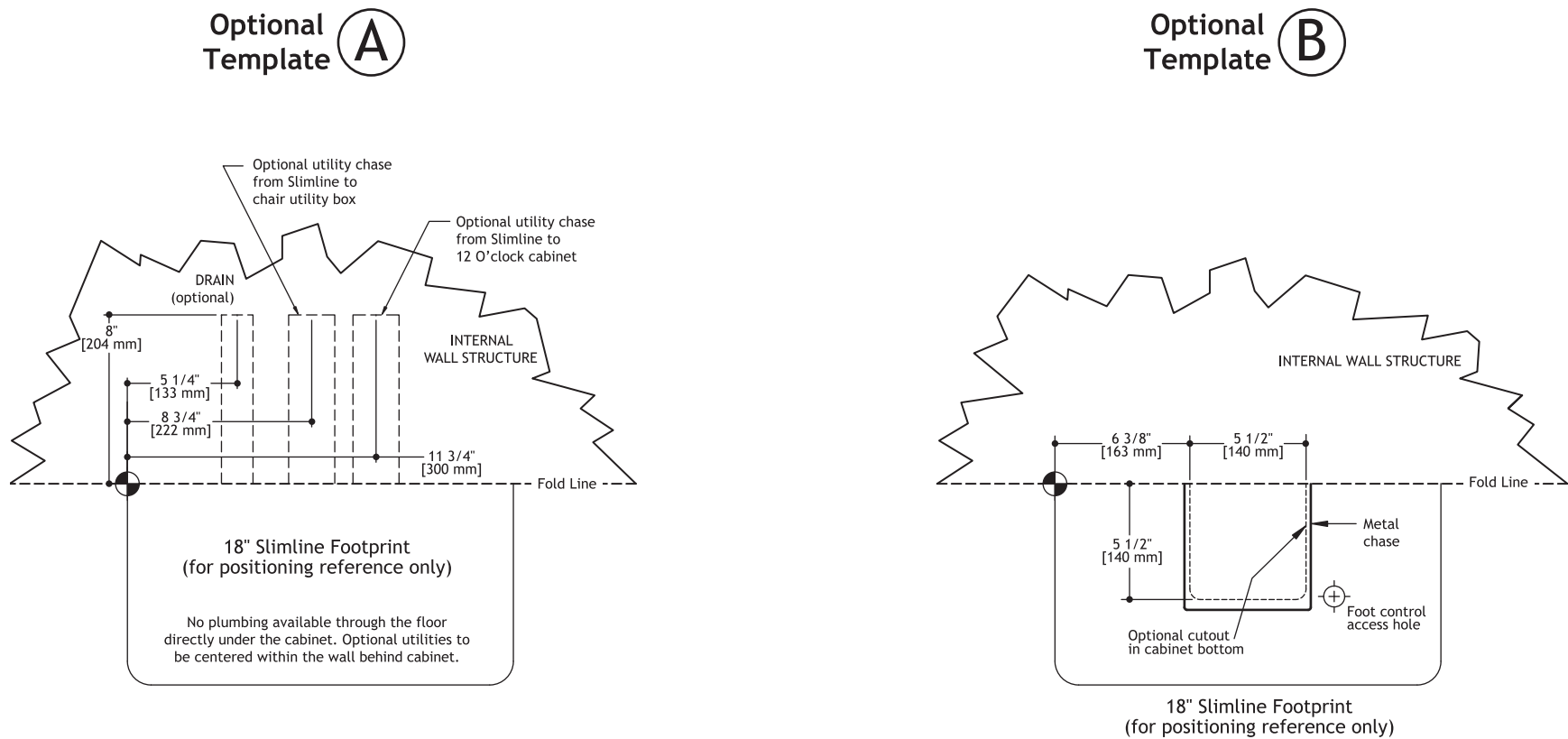
Figure 68. Utility Specifications - 5636 18" Utility Console Wall-Mount



Optional Utilities

You can use an optional cutout in the bottom of the cabinet when the wall is made of material that does not allow the placement of utilities within the wall. In these applications, the dental dealership and/or contractor assumes all responsibility for spotting and routing the necessary utilities through the floor and into the optional cutout in the bottom of the cabinet.

Figure 69. Utility Specifications - 5636 18" Utility Console Wall-Mount - optional utilities



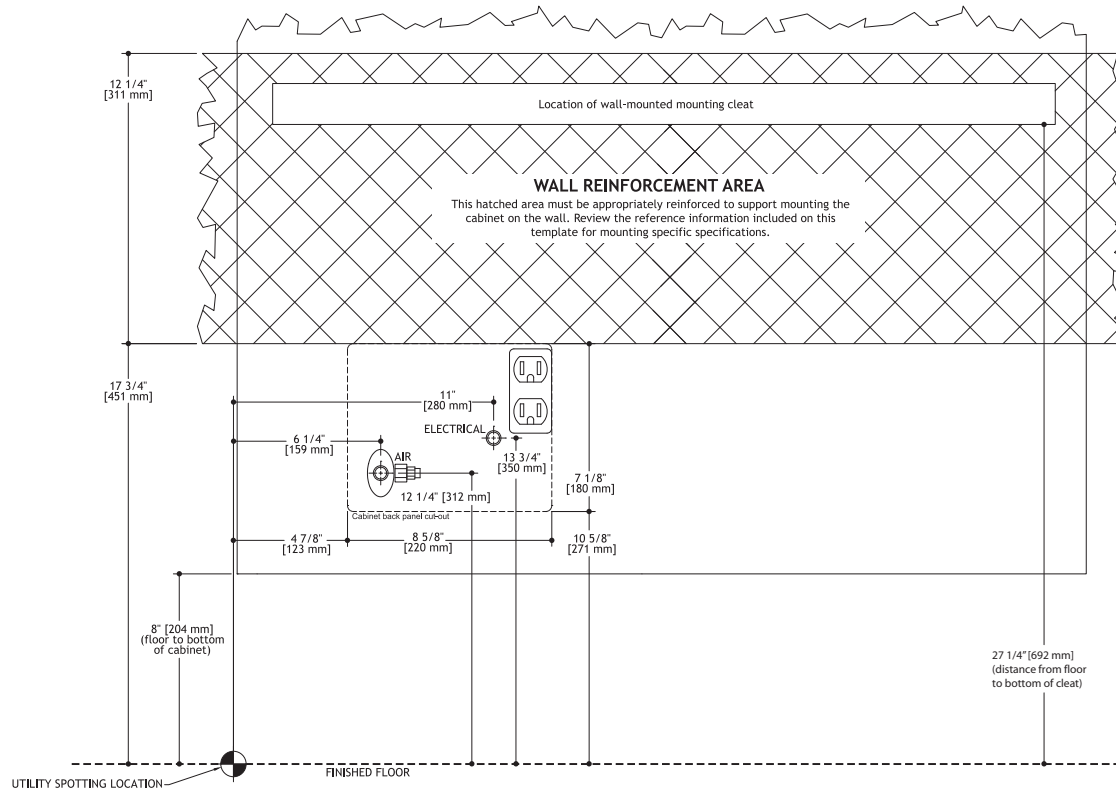
5636 34" Utility Console

Left-Side Delivery



NOTE No plumbing available through the floor directly under the cabinet. Refer to Optional Template "A" for location of optional utilities. In cases where wall plumbing is not an option, refer to Optional Template "B."

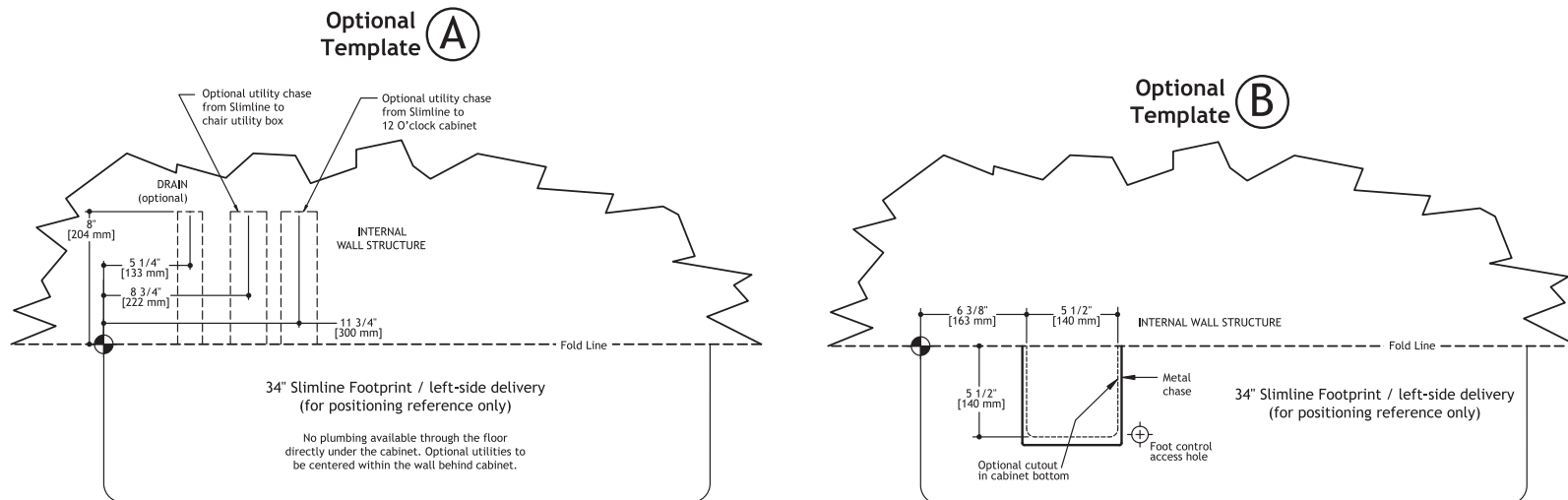
Figure 70. Utility Specifications - 5636 34" Utility Console - Left-Side Delivery



Optional Utilities

You can use an optional cutout in the bottom of the cabinet when the wall is made of material that does not allow the placement of utilities within the wall. In these applications, the dental dealership and/or contractor assumes all responsibility for spotting and routing the necessary utilities through the floor and into the optional cutout in the bottom of the cabinet.

Figure 71. Utility Specifications - 5636 34" Utility Console - Left-Side Delivery, optional utilities

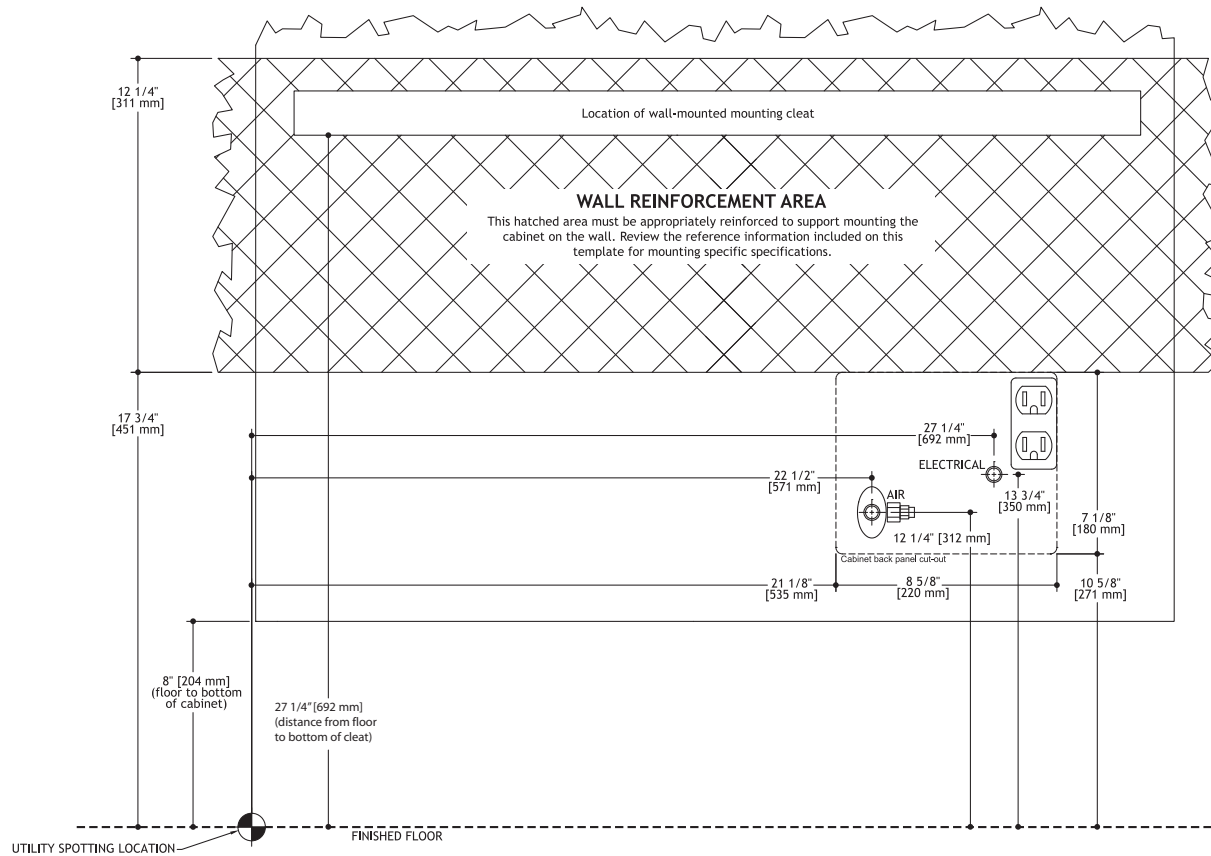


Right-Side Delivery



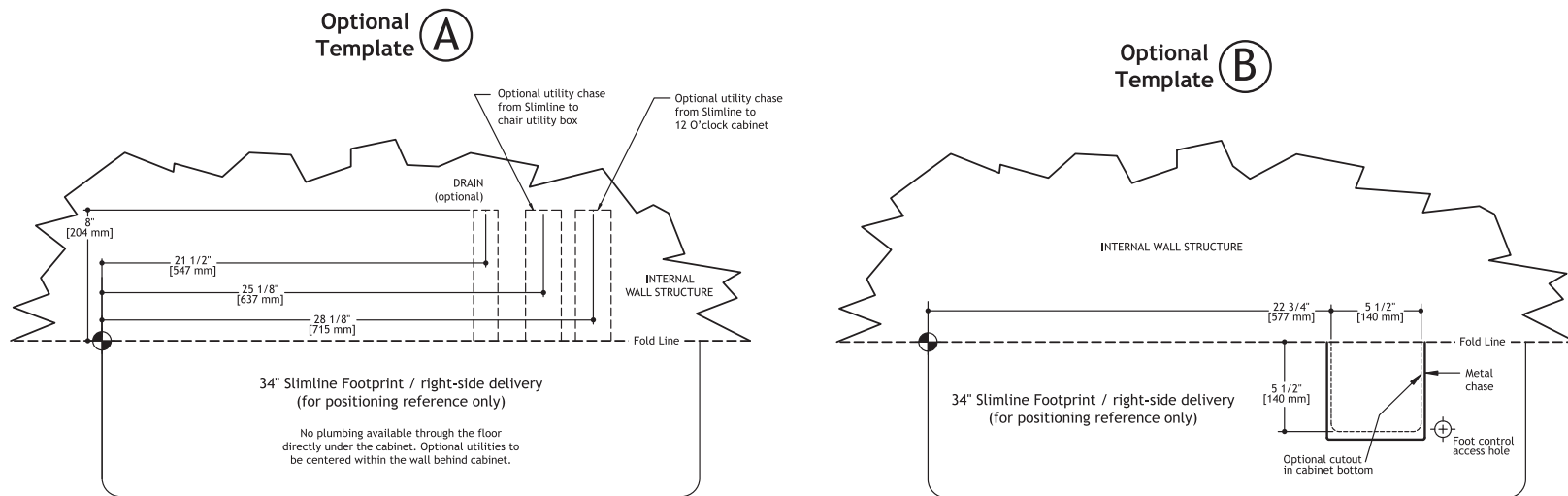
NOTE No plumbing available through the floor directly under the cabinet. Refer to Optional Template "A" for wall plumbing location of optional utilities. In cases where wall plumbing is not an option, refer to Optional Template "B."

Figure 72. Utility Specifications - 5636 34" Utility Console - Right-Side Delivery



Optional Utilities

Figure 73. Utility Specifications - 5636 34" Utility Console - Right-Side Delivery, optional utilities



FULL-SIZE TEMPLATE REFERENCE

Listed below are the titles for each full-size template and the corresponding page numbers showing a miniature version. To order a full-size template, have the part number and contact A-dec customer service at 1.800.547.1883 or 1.503.538.7478.

Table 15. Full-Size Templates - Preference Slimline

Template Title	Page Number	Part Number
5536 - 18" and 34" Utility Console with Utilities	page 80 through page 82	86.0907.00
5537 - 18" and 34" Utility Console with Utilities	page 83 through page 85	86.0910.00
5636 - 18" Utility Console with Utilities	page 86 through page 87	86.0908.00
5636 - 34" Utility Console with Utilities	page 88 through page 91	86.0909.00



A-dec Headquarters

2601 Crestview Drive
Newberg, OR 97132 USA
Tel: 1.800.547.1883 Within USA/Canada
Tel: 1.503.538.7478 Outside USA/Canada
Fax: 1.503.538.0276
www.a-dec.com

International Distribution Centers

A-dec United Kingdom

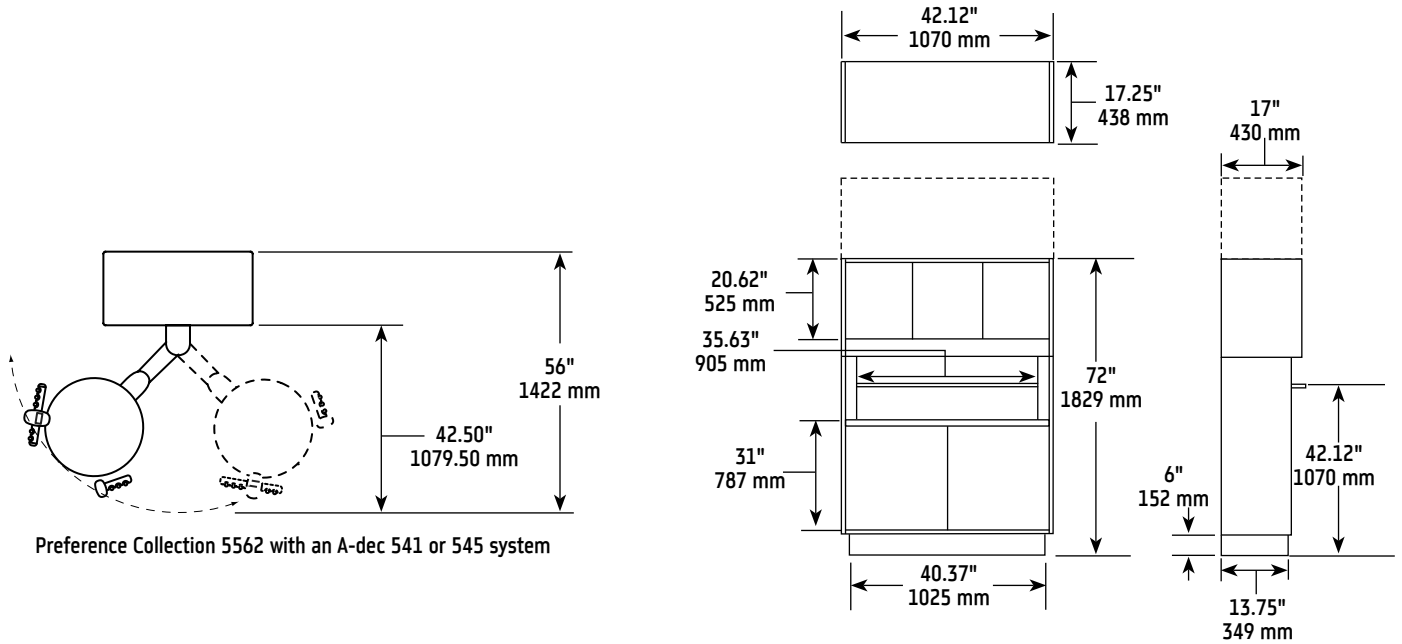
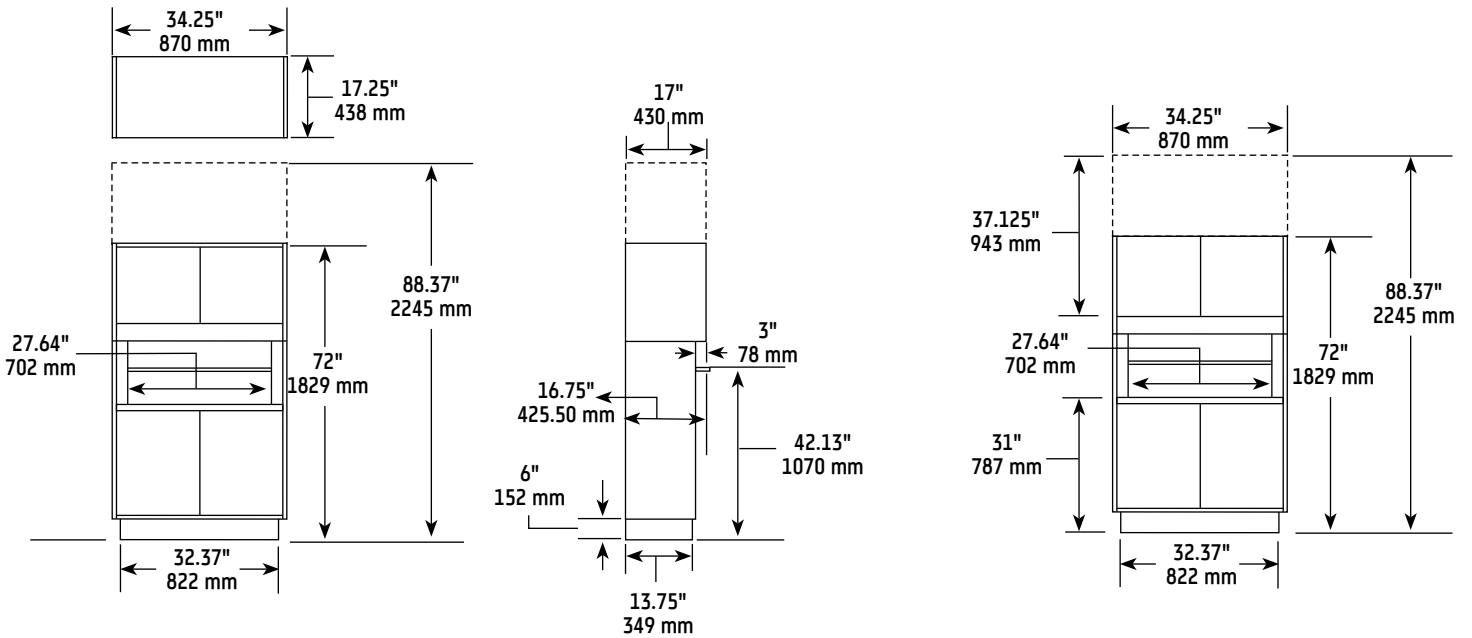
Austin House, 11 Liberty Way
Nuneaton, Warwickshire CV11 6RZ
England
Tel: 0800 ADECUK (233285) Within UK
Tel: +44 (0) 24 7635 0901 Outside UK
www.a-dec.co.uk

A-dec Australia

Unit 8
5-9 Ricketty Street
Mascot, NSW 2020
Australia
Tel: 1.800.225.010 Within Australia
Tel: +61 (0)2 8332 4000 Outside Australia
www.a-dec.com.au

Addendum: A-dec Preference Collection Dimensions

A-DEC 5662



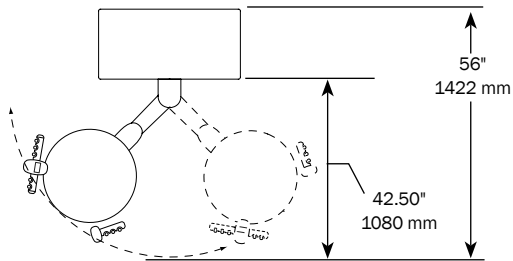
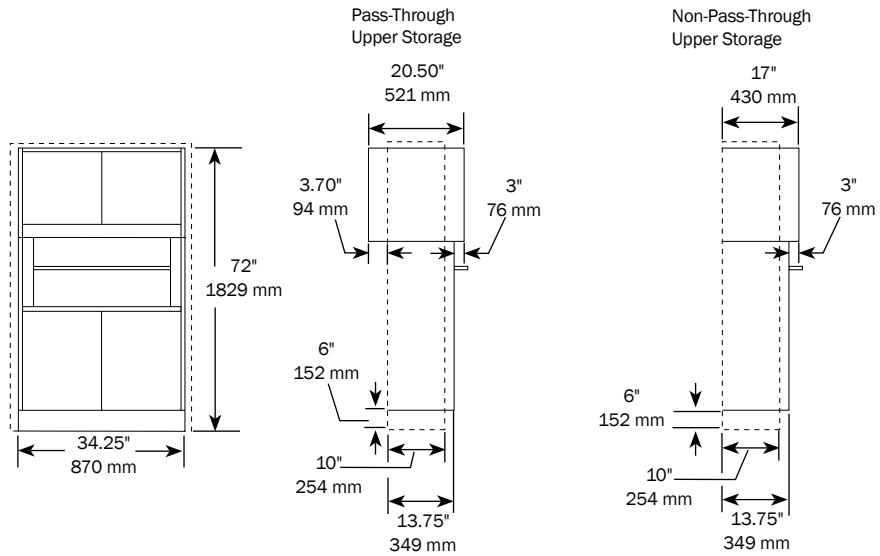
Preference Collection 5662 with an A-dec 541 or 545 system

NOTE:
 a. Height with UMC3 is 55-3/4" (1416 mm).
 b. See A-dec Dental Furniture Technical Packet for required opening dimensions (86.0142.00).

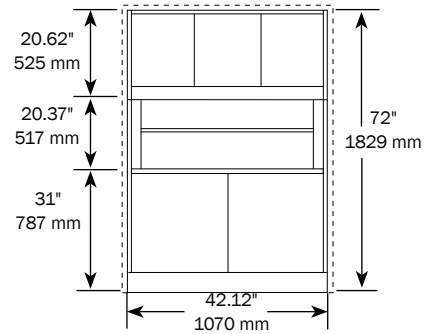
Estimated shipping weights: 5662.34 - 424 lb. (192 kg); 5662.42 - 519 lb. (235 kg)

Addendum: A-dec Preference Collection Dimensions

A-DEC 5662



Preference Collection 5562 with an A-dec 541 or 545 system



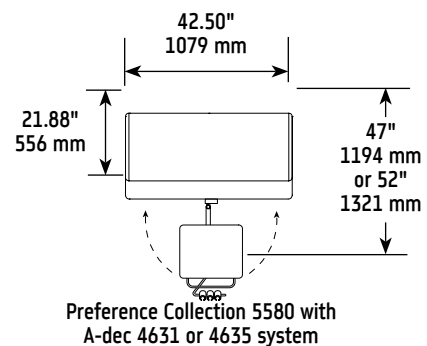
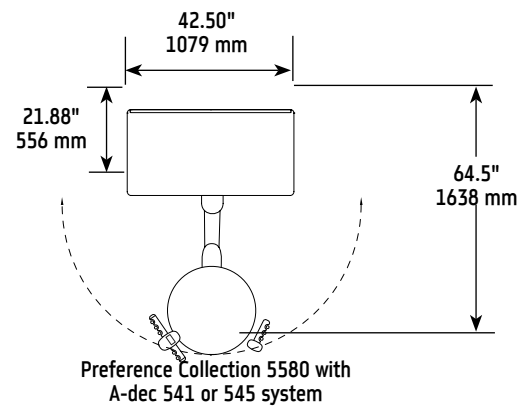
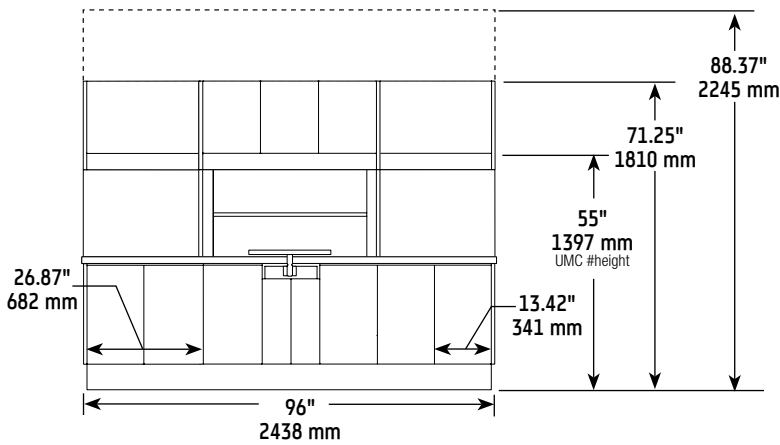
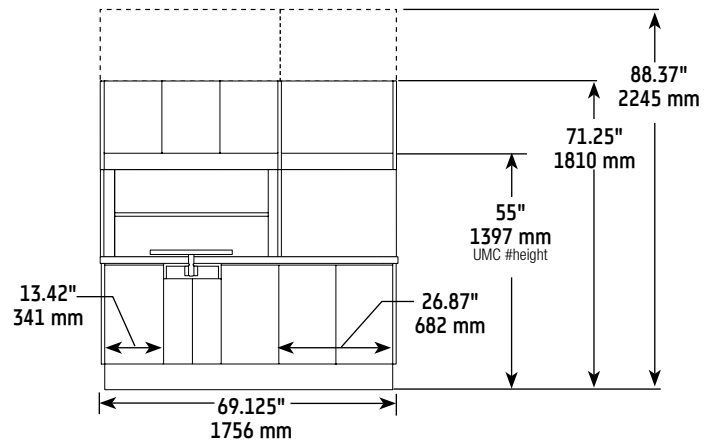
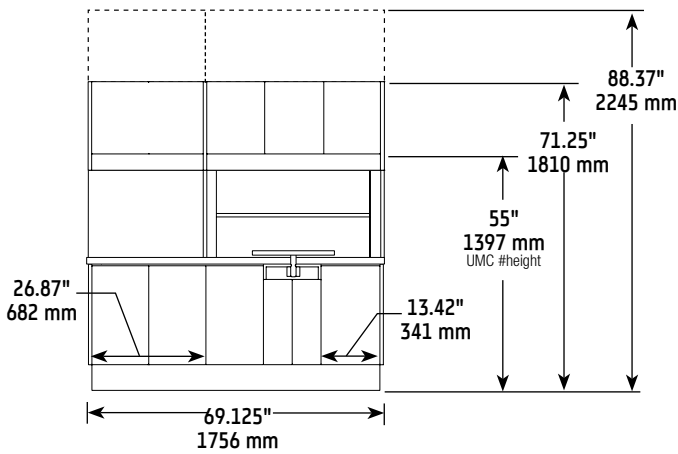
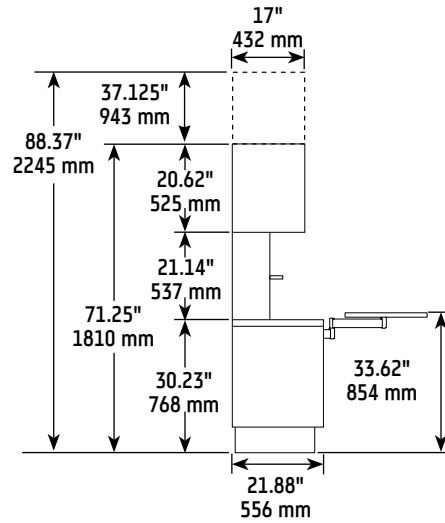
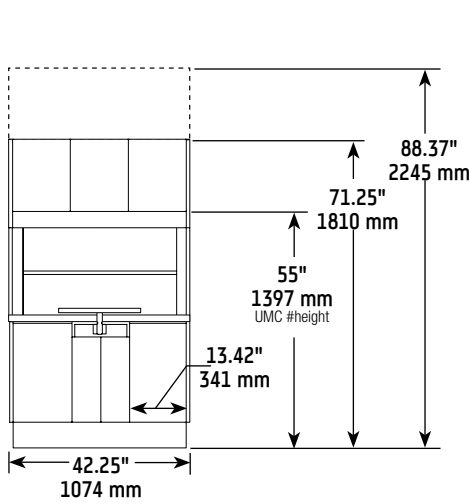
NOTE:

- a. Height with UMC3 is 55-3/4" (1416 mm).
- b. See A-dec Dental Furniture Technical Packet for required opening dimensions (86.0142.00).

Estimated shipping weights: 5662.34 - 424 lb. (192 kg); 5662.42 - 519 lb. (235 kg)

Addendum: A-dec Preference Collection Dimensions

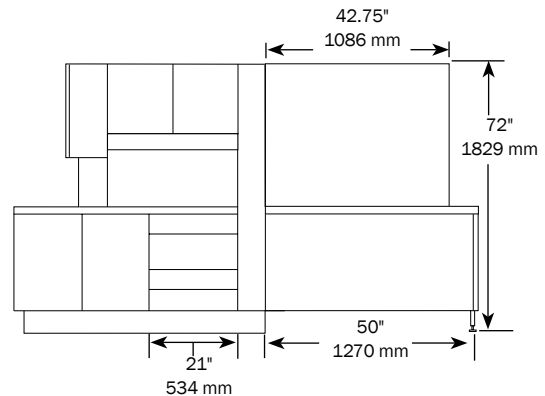
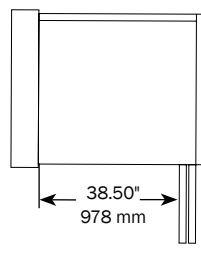
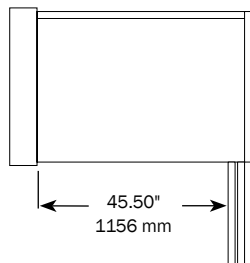
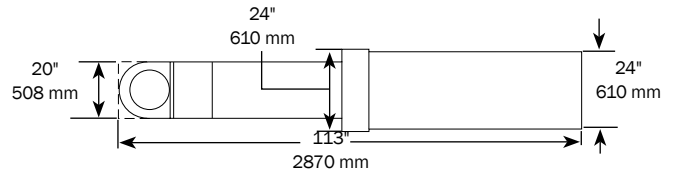
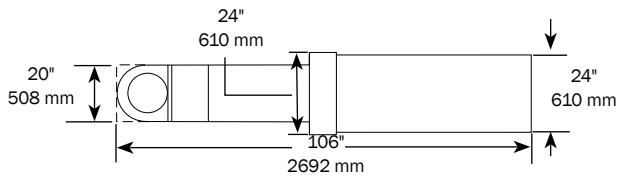
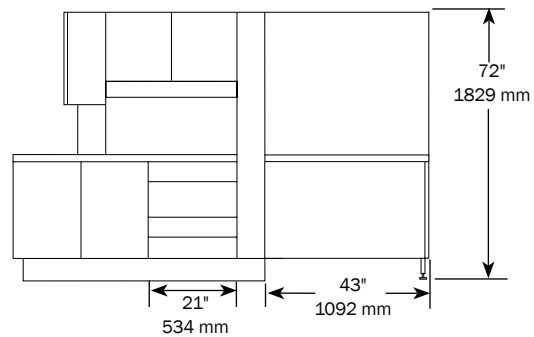
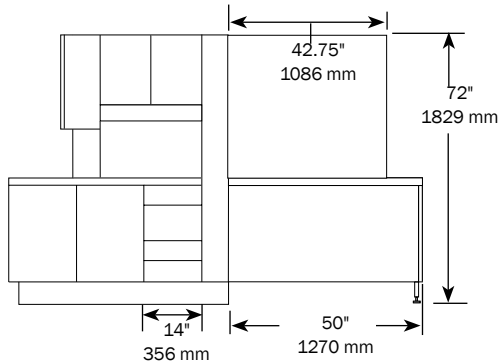
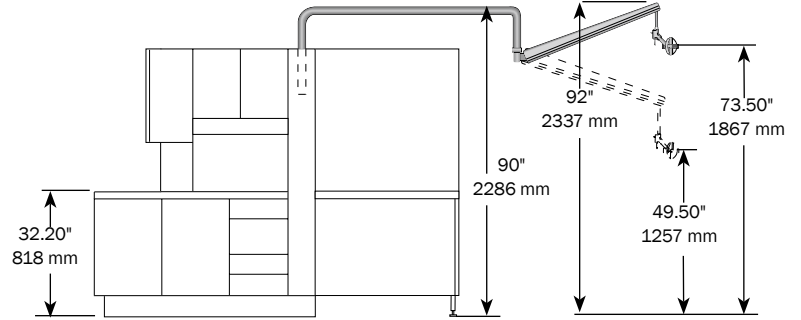
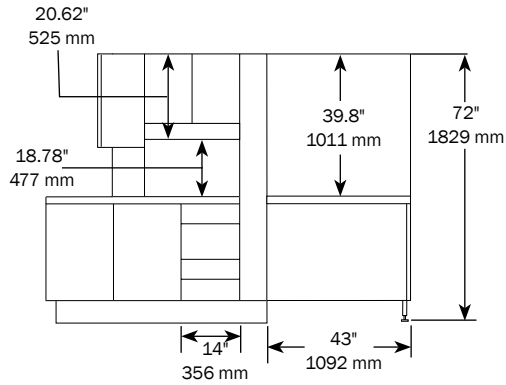
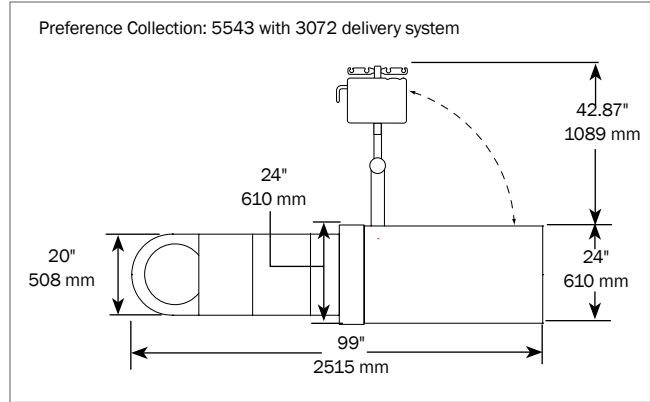
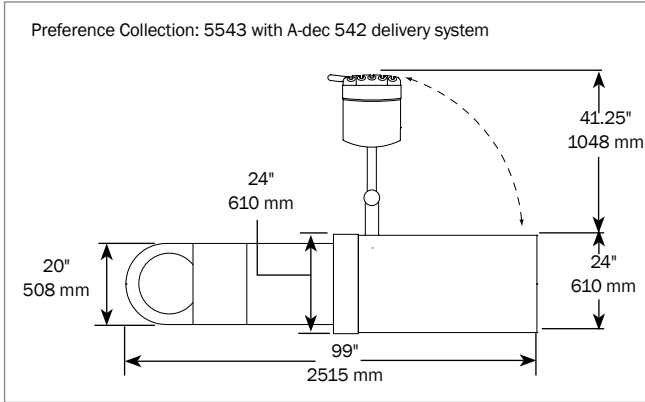
A-DEC 5580



Estimated shipping weights: 5580.42 – 588 lb. (267 kg);
5580.69 – 651 lb. (295 kg); 5580.96 – 781 lb. (354 kg)

Addendum: A-dec Preference Collection Dimensions

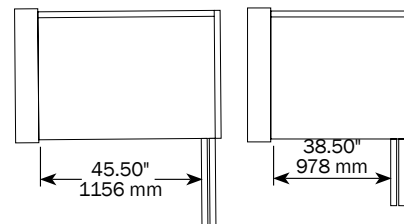
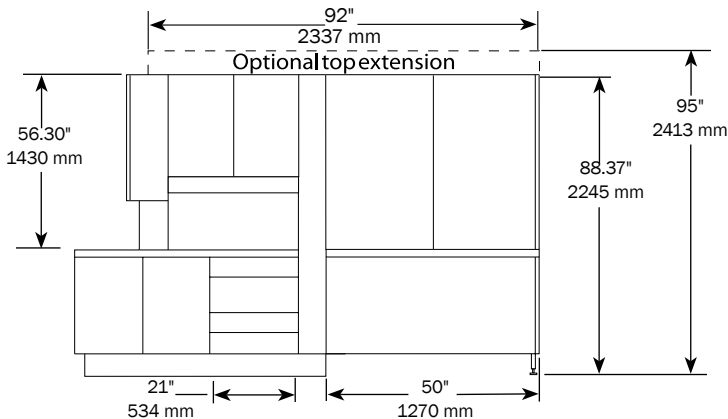
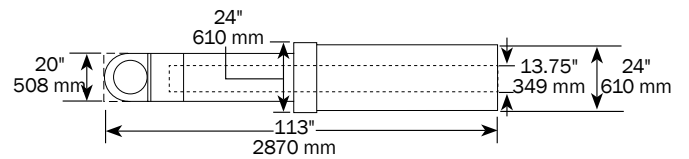
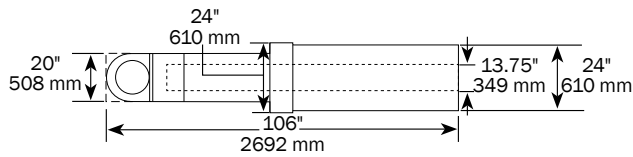
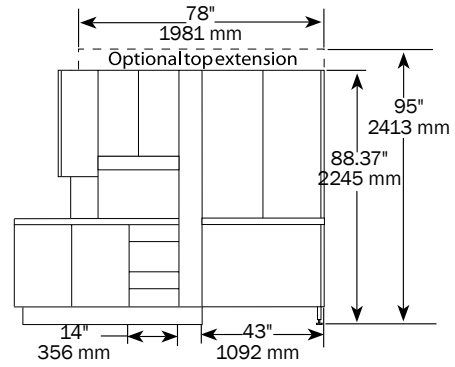
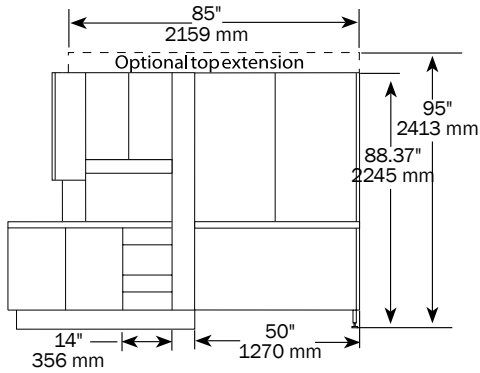
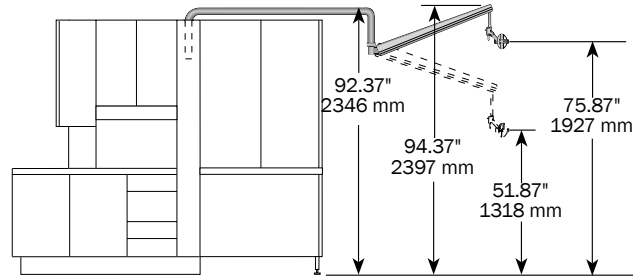
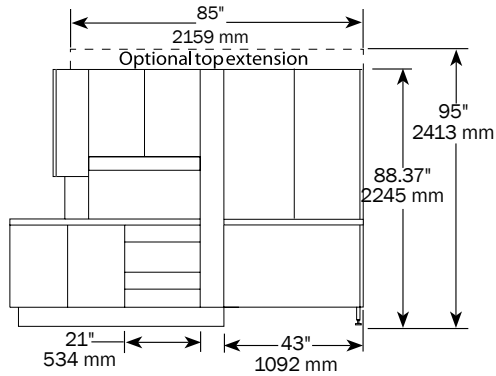
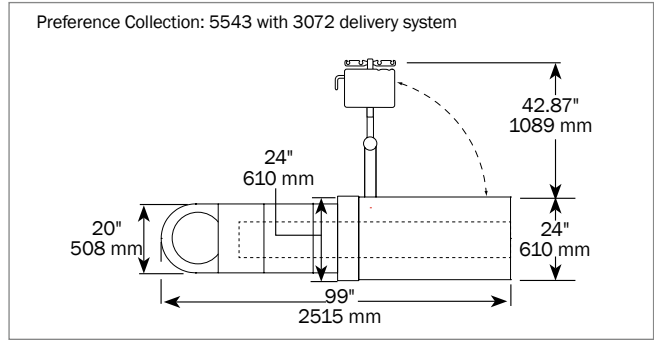
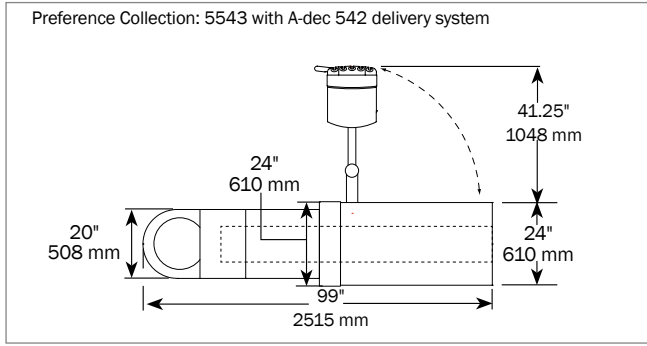
A-DEC 5543 SP AND SB



Estimated shipping weights:
 5543.SP - 920 lb. (417 kg)
 5543.SB - 1080 lb. (490 kg)

Addendum: A-dec Preference Collection Dimensions

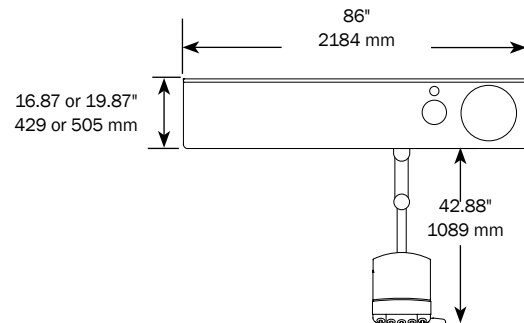
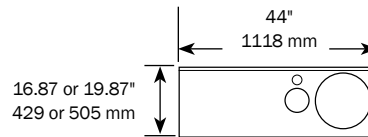
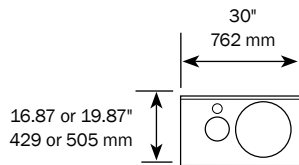
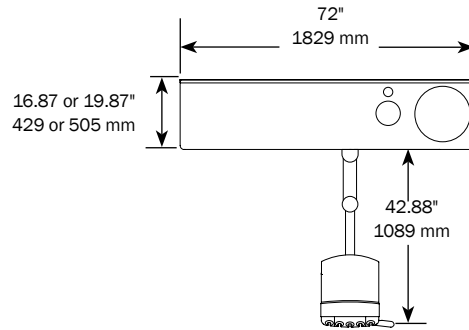
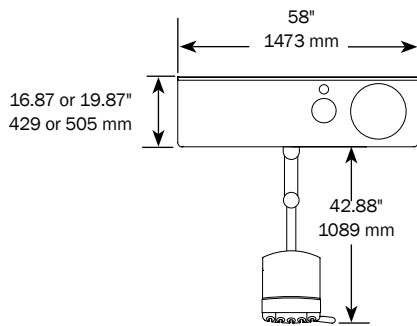
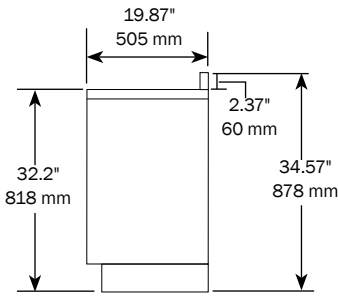
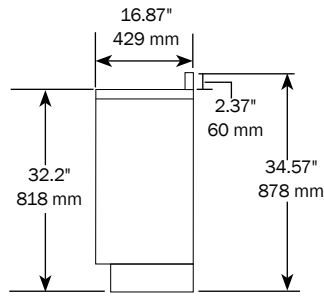
A-DEC 5543 TB



Estimated shipping weights: 5543.TB - 1800 lb. (816 kg)

Addendum: A-dec Preference Collection Dimensions

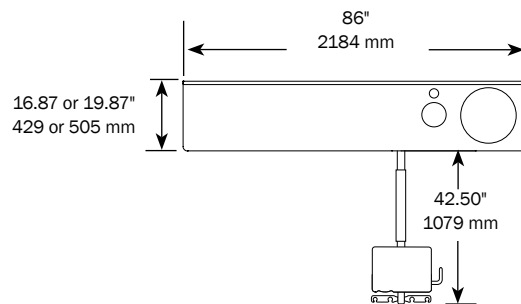
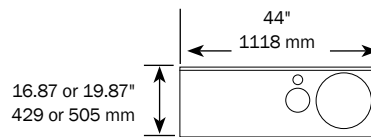
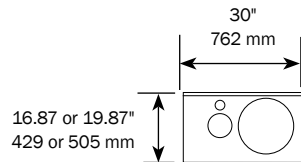
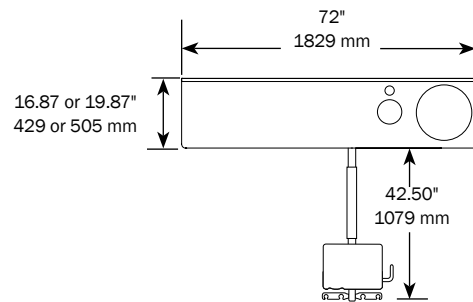
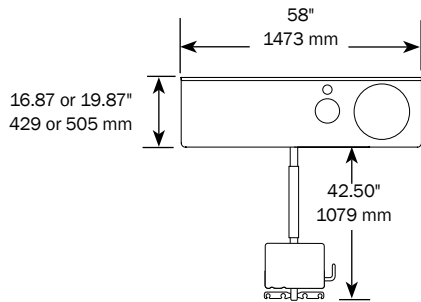
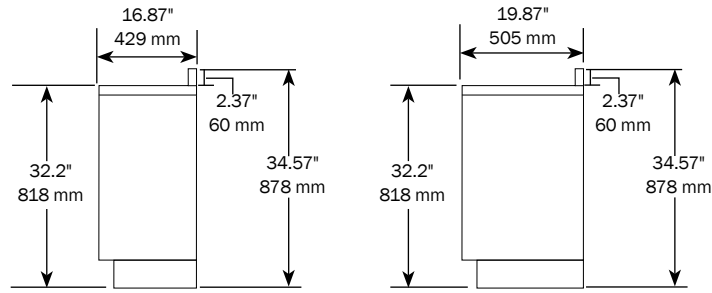
PREFERENCE COLLECTION 5531 WITH A-DEC 542 DELIVERY SYSTEM



Estimated shipping weights:
 5531.30 - 211 lb. (96 kg)
 5531.44 - 296 lb. (134 kg)
 5531.58 - 380 lb. (172 kg)
 5531.72 - 475 lb. (215 kg)
 5531.86 - 580 lb. (263 kg)

Addendum: A-dec Preference Collection Dimensions

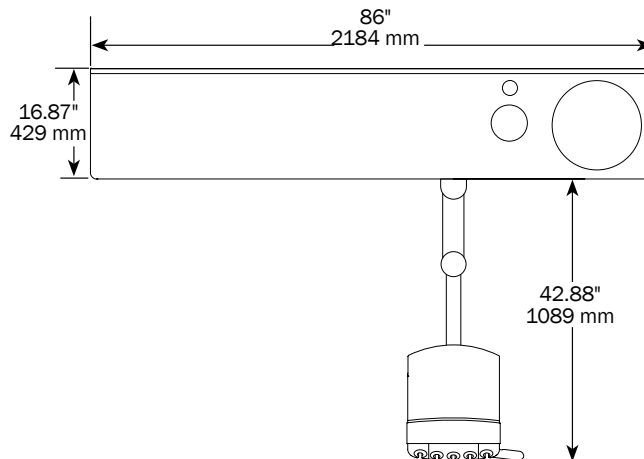
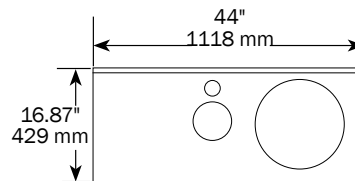
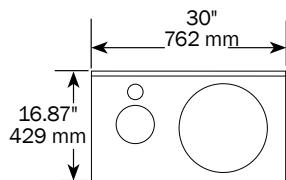
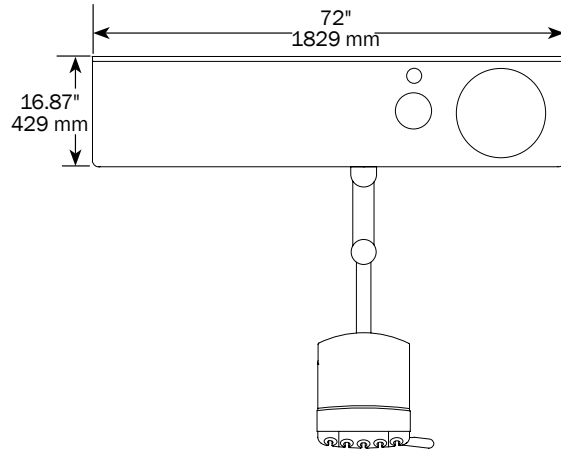
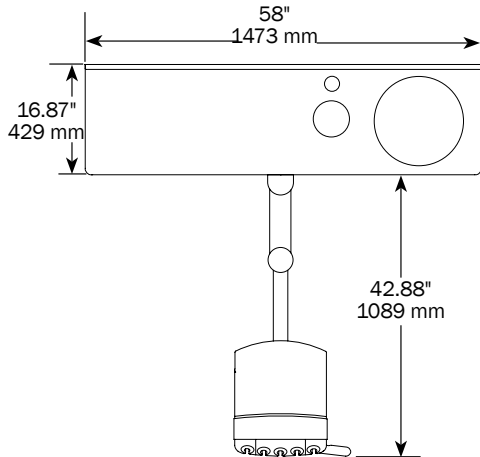
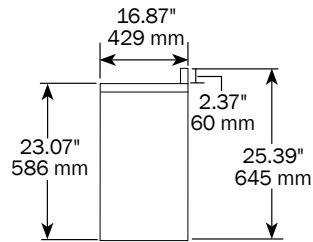
PREFERENCE COLLECTION 5531 WITH 3072 DELIVERY SYSTEM



Estimated shipping weights:
 5531.30 - 211 lb. (96 kg)
 5531.44 - 296 lb. (134 kg)
 5531.58 - 380 lb. (172 kg)
 5531.72 - 475 lb. (215 kg)
 5531.86 - 580 lb. (263 kg)

Addendum: A-dec Preference Collection Dimensions

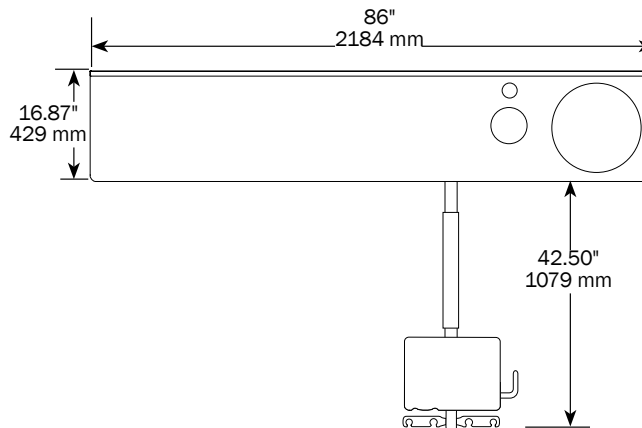
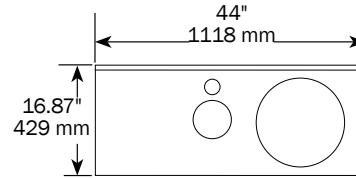
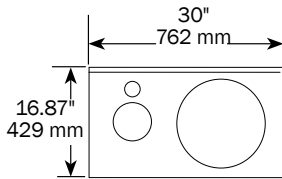
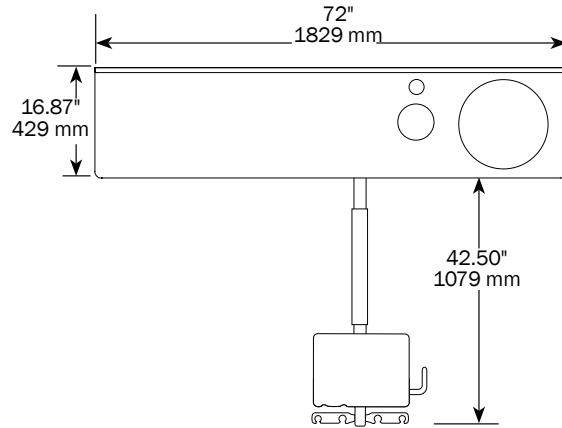
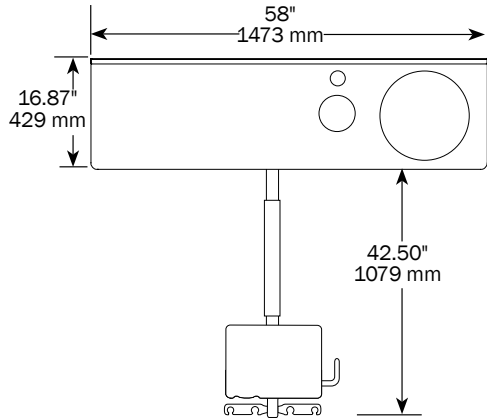
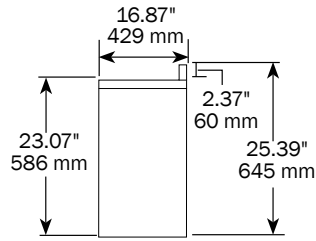
PREFERENCE COLLECTION 5631 WITH A-DEC 542 DELIVERY SYSTEM



Estimated shipping weights:
 5631.30 - 165 lb. (75 kg)
 5631.44 - 228 lb. (103 kg)
 5631.58 - 291 lb. (132 kg)
 5631.72 - 364 lb. (165 kg)
 5631.86 - 447 lb. (203 kg)

Addendum: A-dec Preference Collection Dimensions

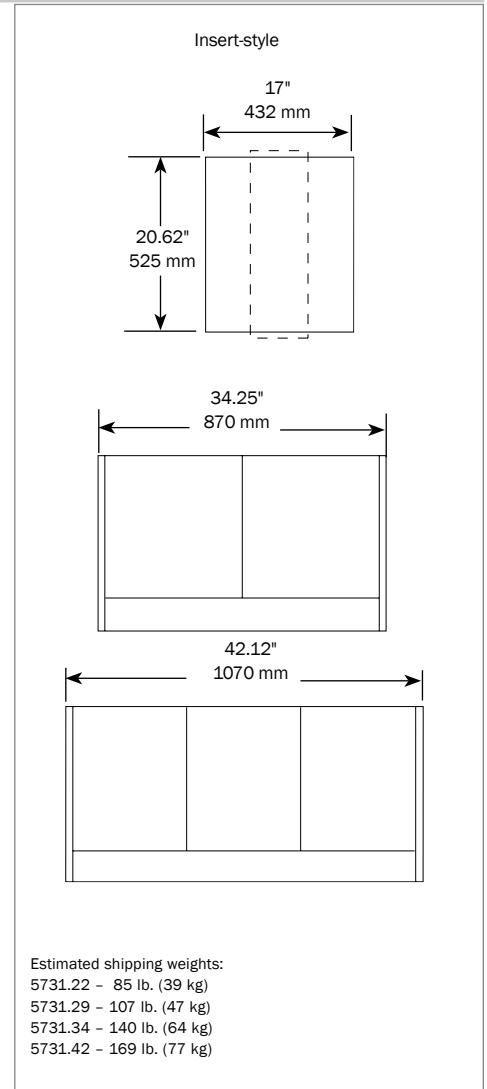
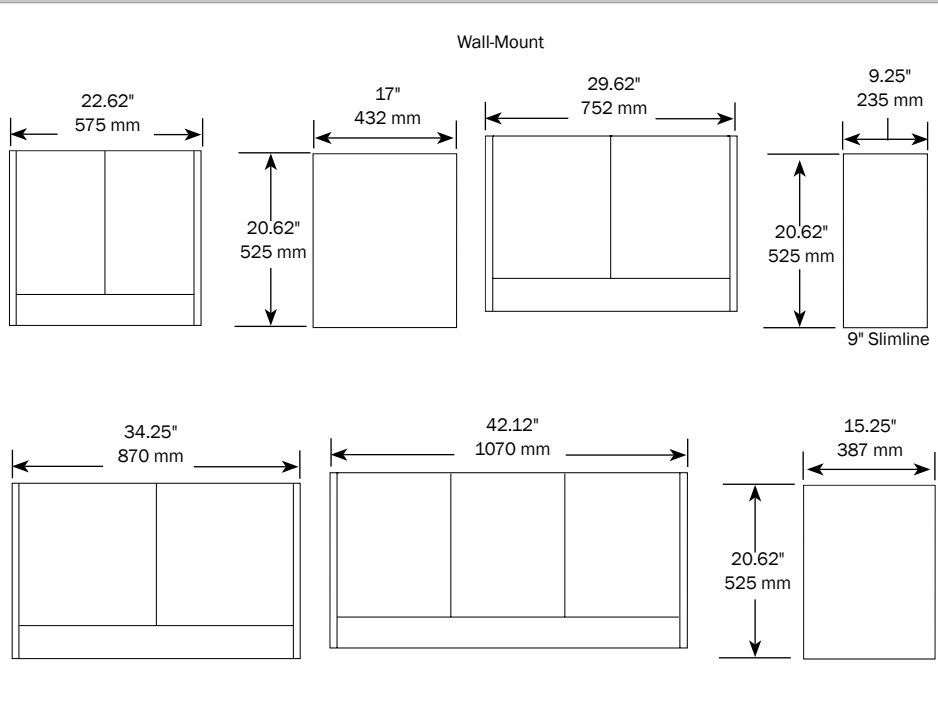
PREFERENCE COLLECTION 5631 WITH 3072 DELIVERY SYSTEM



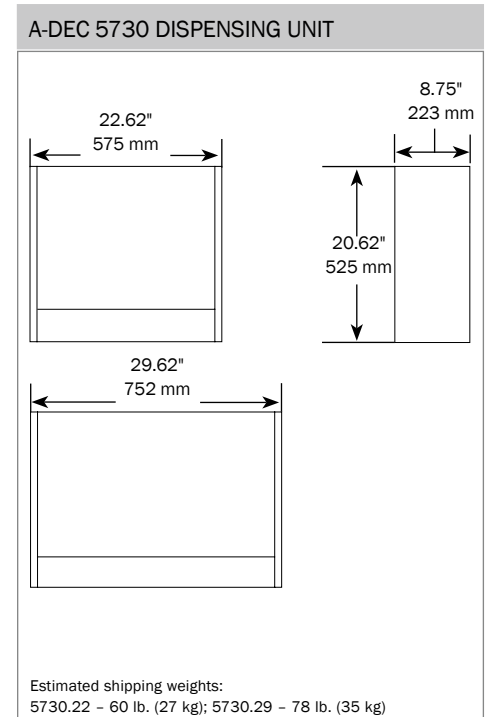
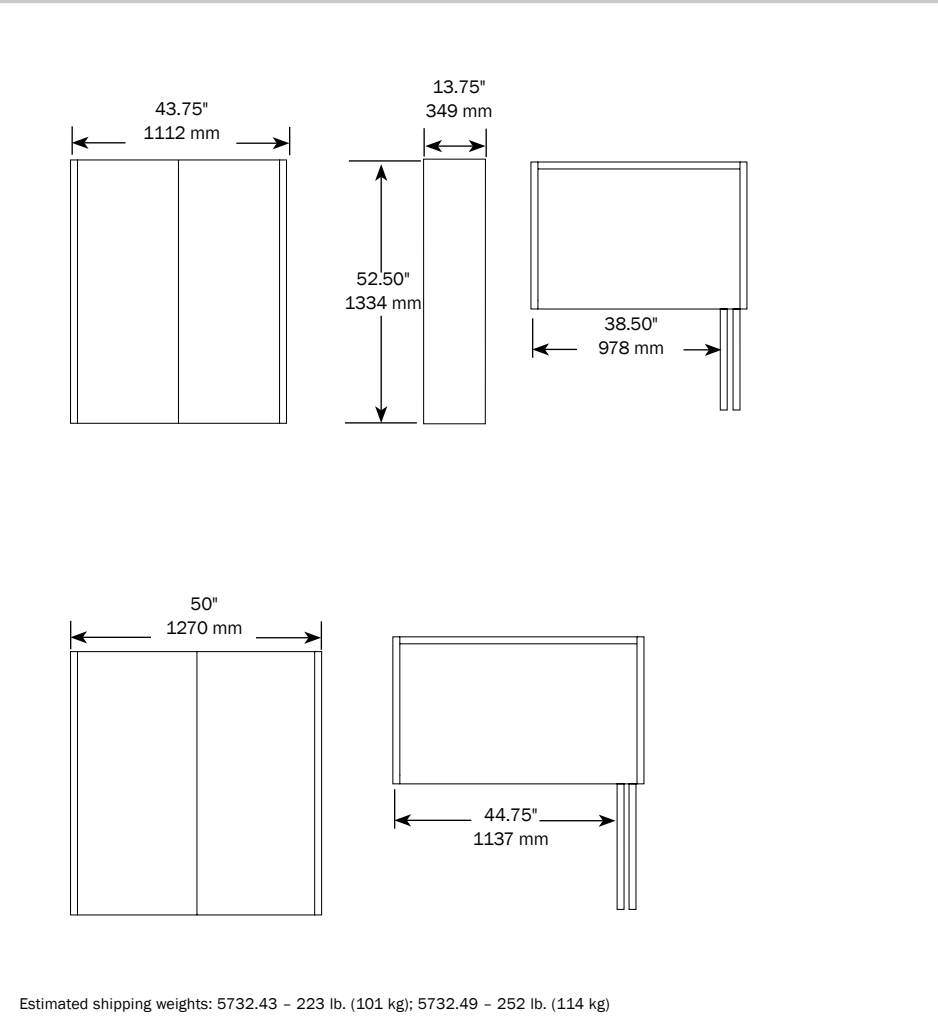
Estimated shipping weights:
 5631.30 - 165 lb. (75 kg)
 5631.44 - 228 lb. (103 kg)
 5631.58 - 291 lb. (132 kg)
 5631.72 - 364 lb. (165 kg)
 5631.86 - 447 lb. (203 kg)

Addendum: A-dec Preference Collection Dimensions

A-DEC 5731 UPPER STORAGE UNIT

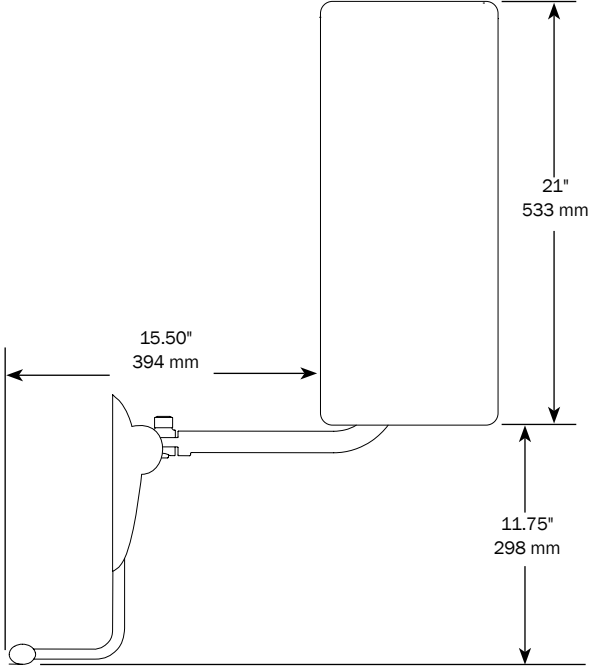
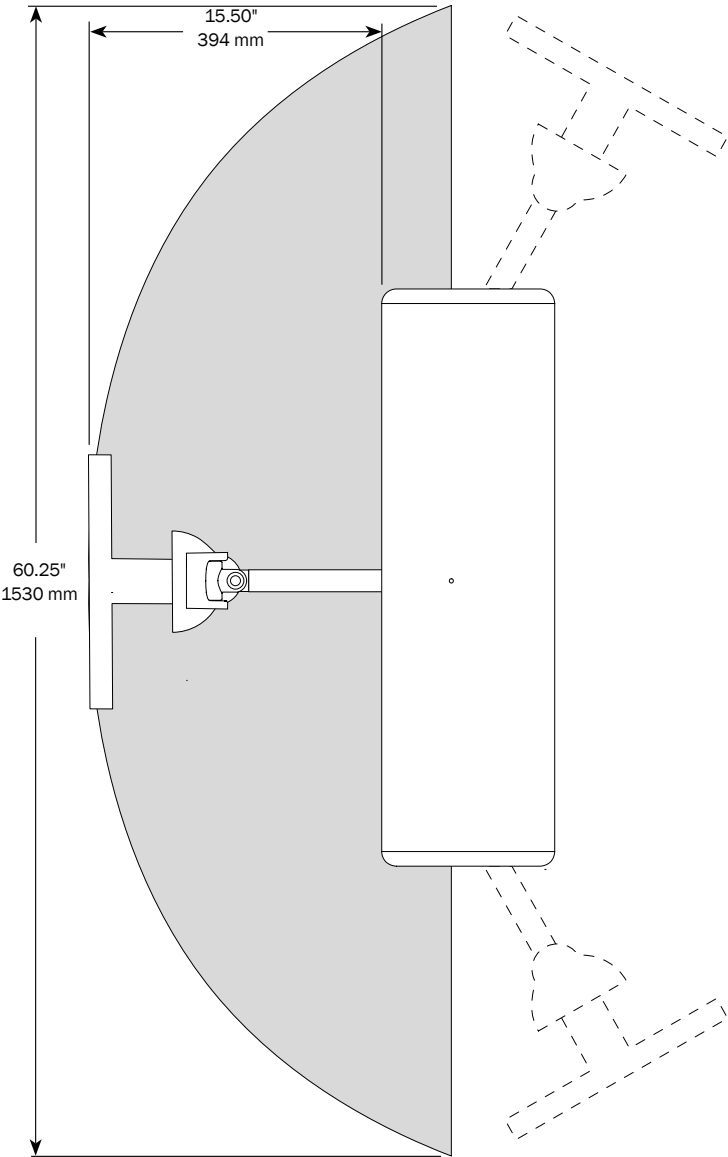


A-DEC 5732 X-RAY STORAGE



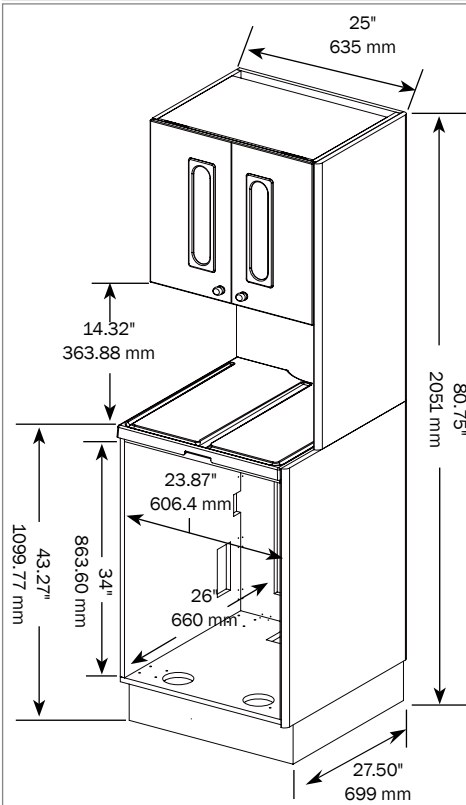
Addendum: A-dec Preference Collection Dimensions

MONITOR MOUNT FOR A-DEC 5562, 5662, 5580, AND 5731



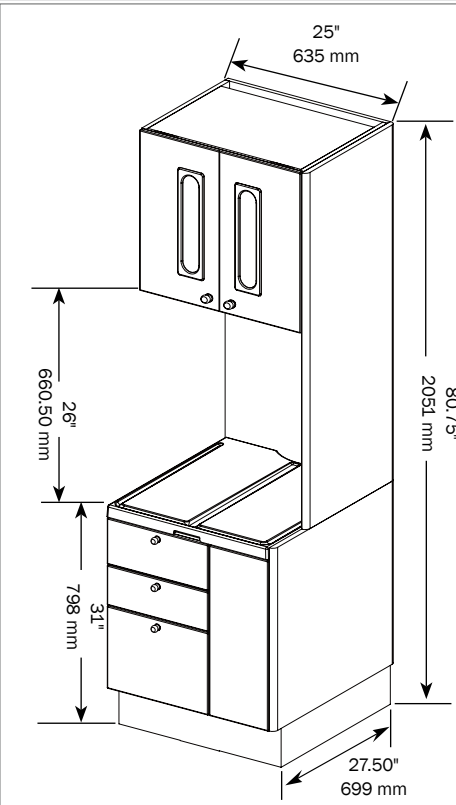
Addendum: A-dec Preference Collection Dimensions

SLDW3 RECEIVING MODULE



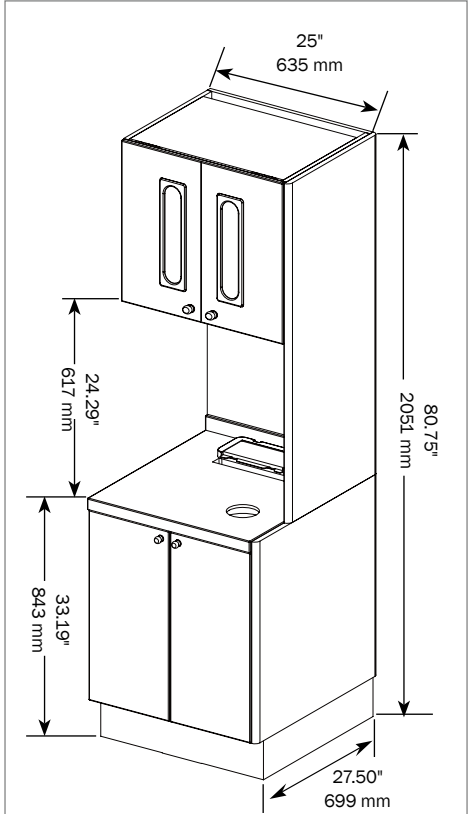
Estimated shipping weight 302 lb. (137 kg)

SSD3 RECEIVING MODULE



Estimated shipping weight 329 lb. (149.2 kg)

SWS0 RECEIVING MODULE



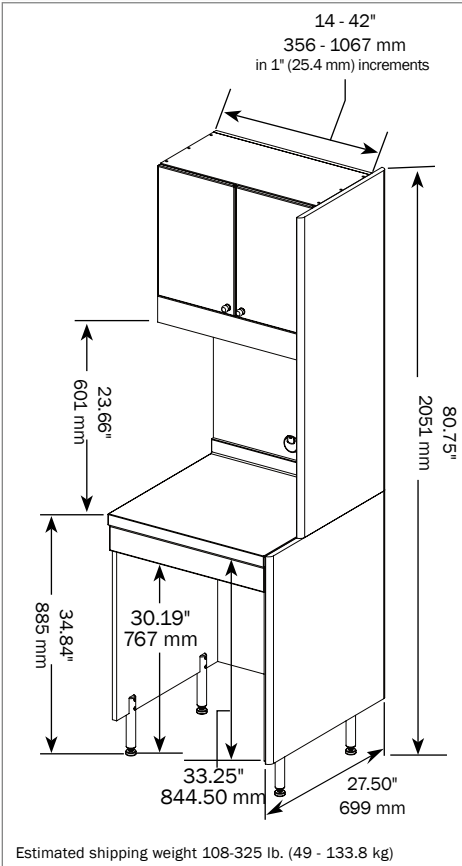
Estimated shipping weight 308 lb. (139.7 kg)

NOTE: 88" is required for foot-activated upper storage. Dimensions do not include end cap. End cap thickness is 13/16" (20.4 mm).

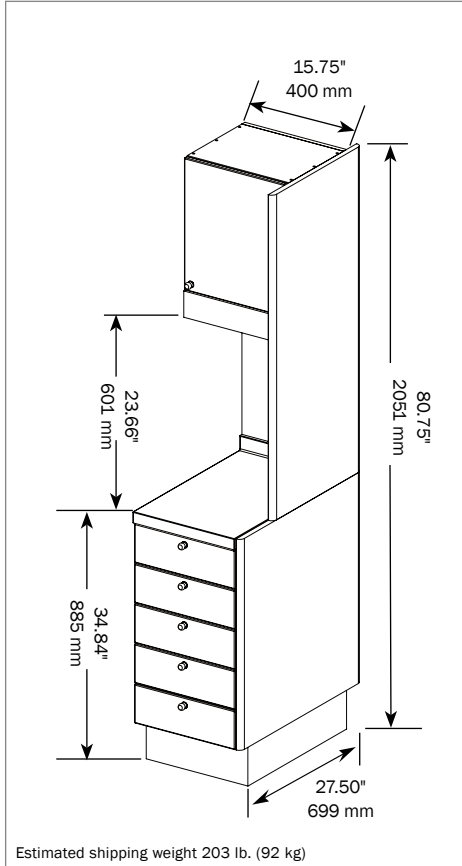
Addendum: A-dec Preference Collection Dimensions

NOTE: Dimensions do not include end cap. End cap thickness is 13/16" (20.4 mm).

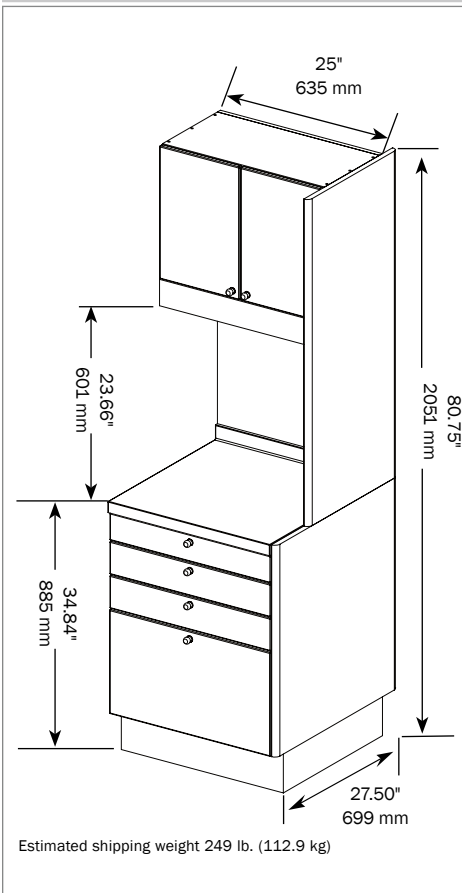
MDK0 MIDDLE MODULE



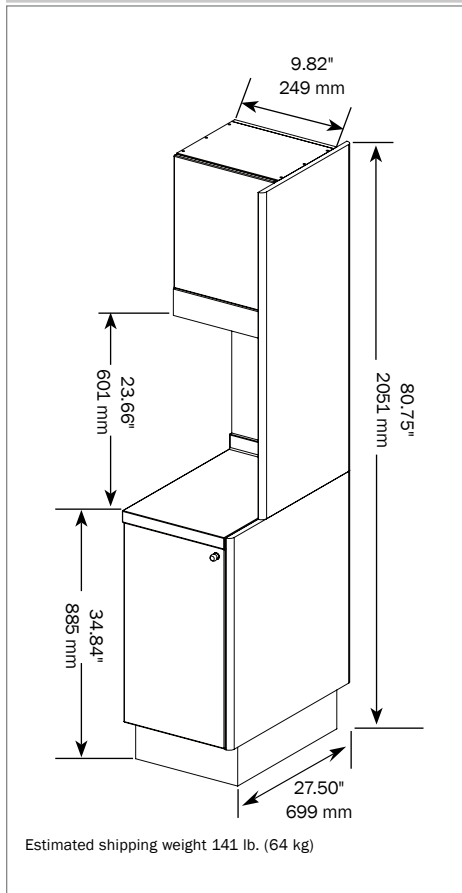
MDM5 MIDDLE MODULE



MPS4 MIDDLE MODULE

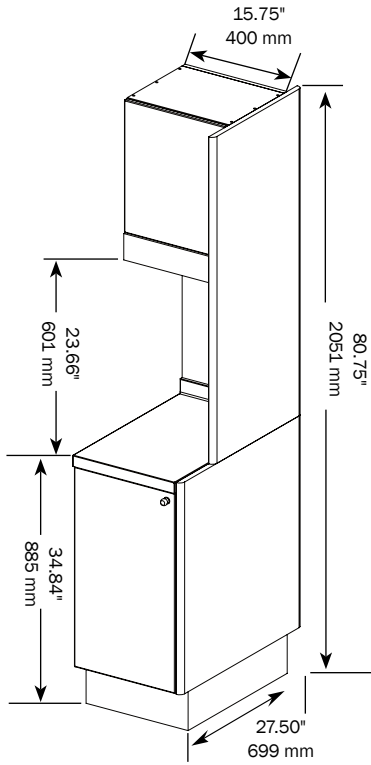


MWMD MIDDLE MODULE



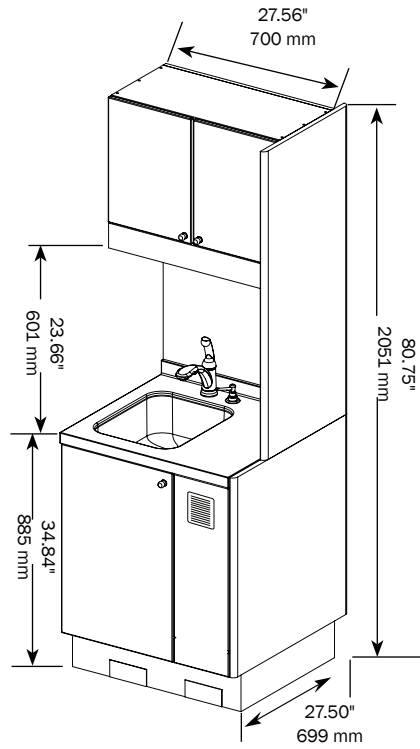
Addendum: A-dec Preference Collection Dimensions

MSMD MIDDLE MODULE



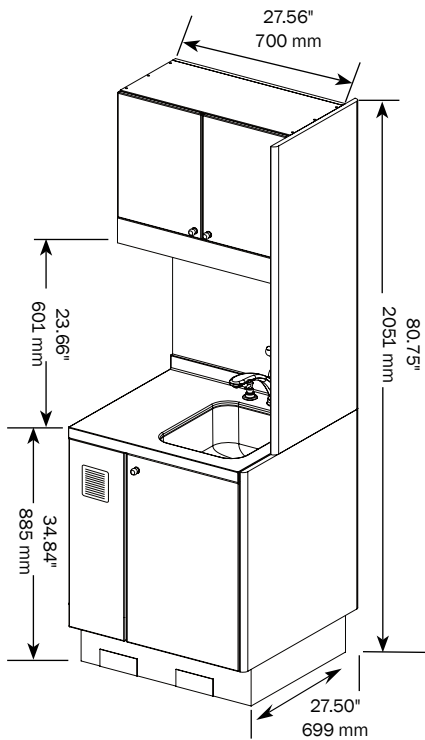
Estimated shipping weight 141 lb. (64 kg)

MSLD MIDDLE MODULE



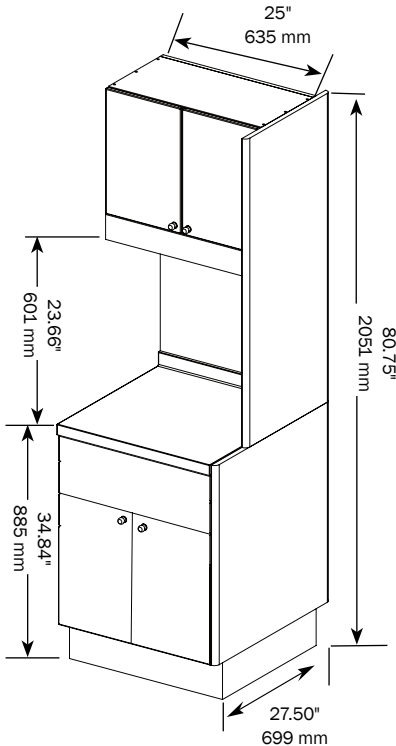
Estimated shipping weight 285 lb. (129.3 kg)

MSRD MIDDLE MODULE



Estimated shipping weight 285 lb. (129.3 kg)

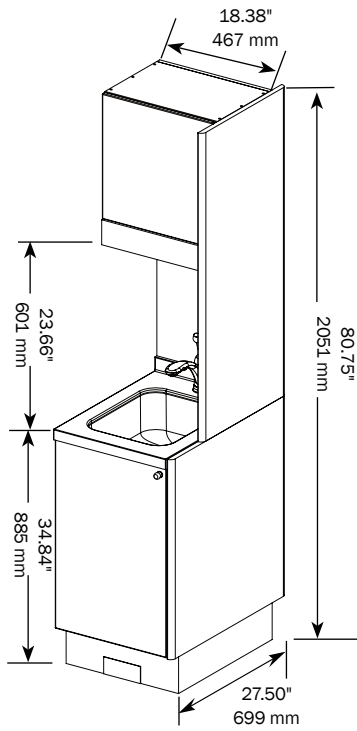
MSRU MIDDLE MODULE



Estimated shipping weight 285 lb. (129.3 kg)

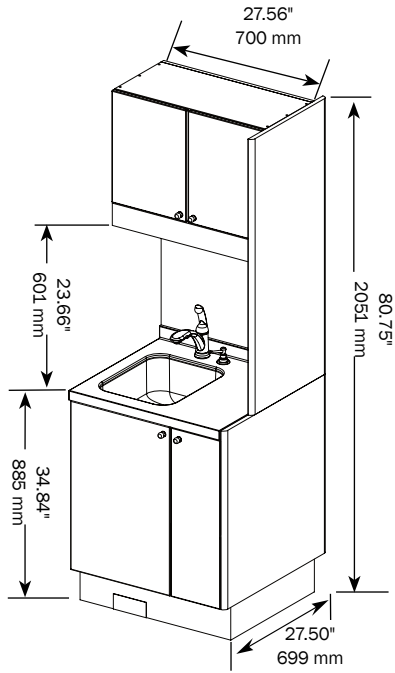
Addendum: A-dec Preference Collection Dimensions

MSSD MIDDLE MODULE



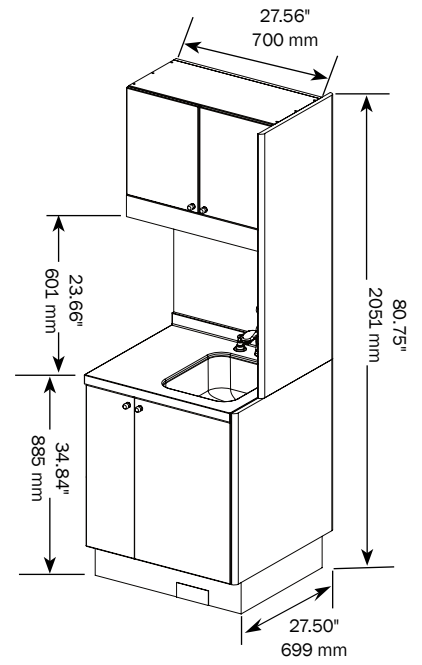
Estimated shipping weight 195 lb. (88.5 kg)

MSLW RECEIVING MODULE



Estimated shipping weight 247 lb. (112 kg)

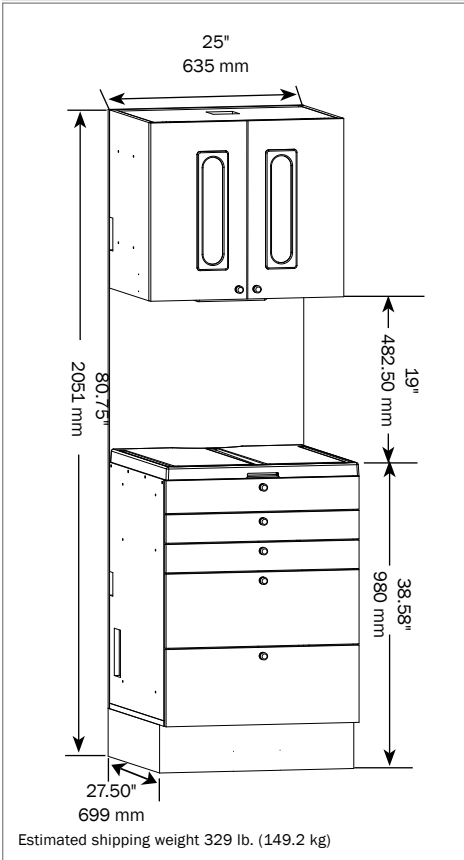
MSRW RECEIVING MODULE



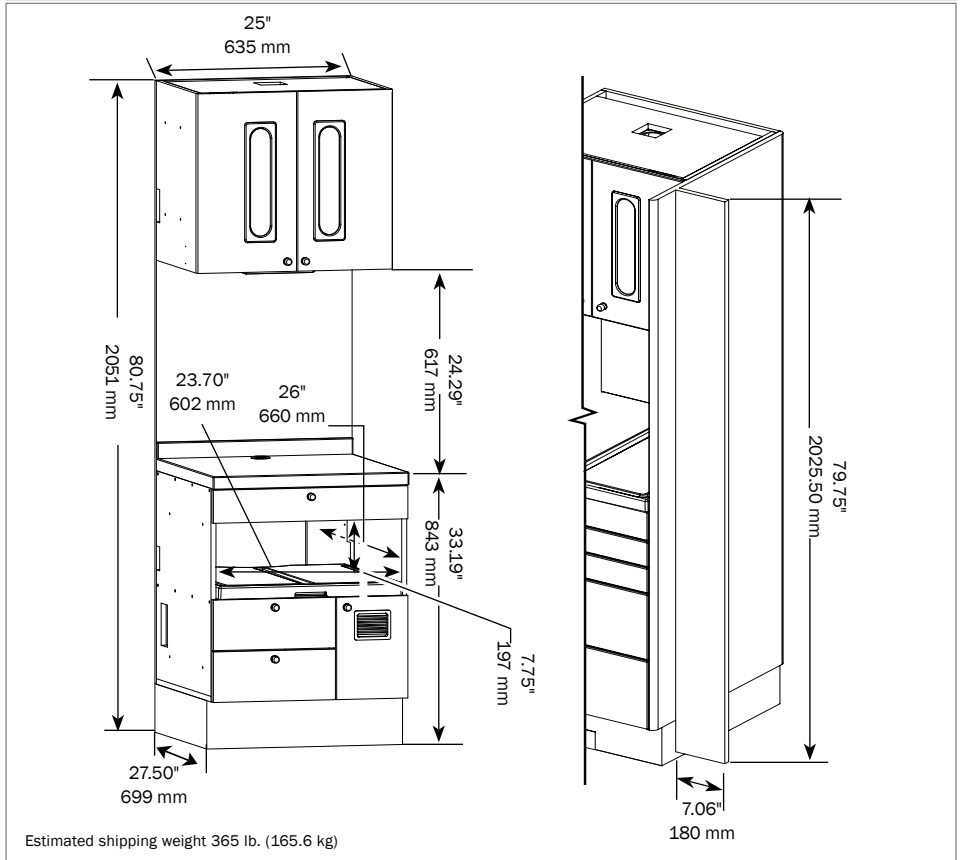
Estimated shipping weight 247 lb. (112 kg)

Addendum: A-dec Preference Collection Dimensions

CLS5 CLEAN STORAGE MODULE

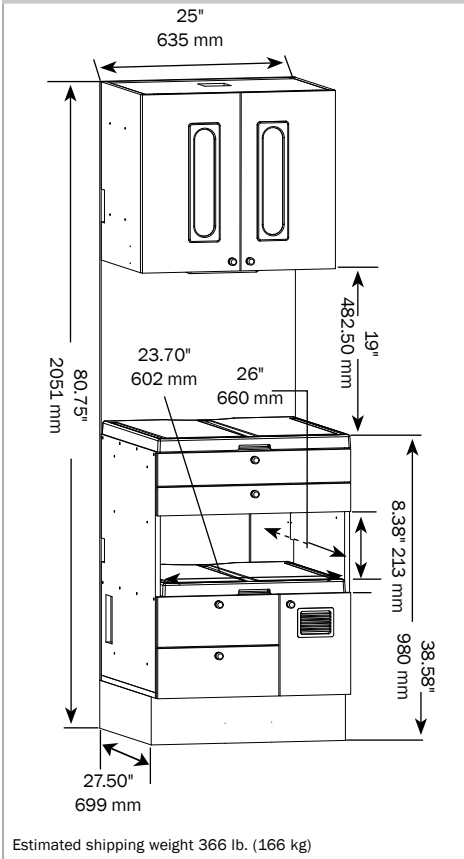


CSD3 CLEAN STORAGE MODULE



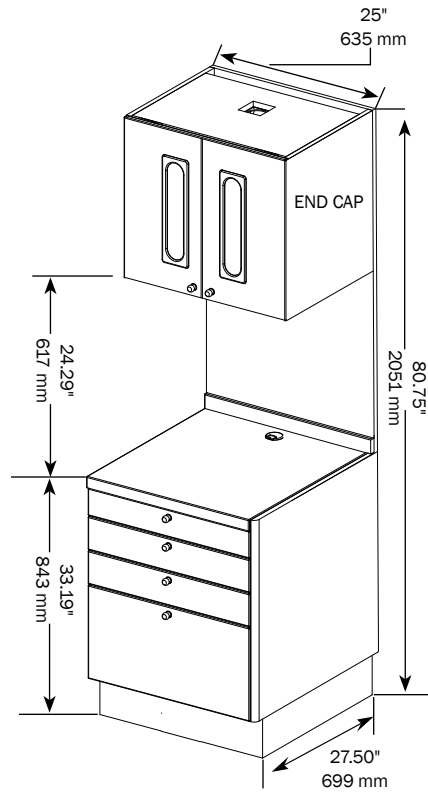
NOTE: 88" is required for foot-activated upper storage. Dimensions do not include end cap. End cap thickness is 13/16" (20.4 mm).

CSS4 CLEAN STORAGE MODULE



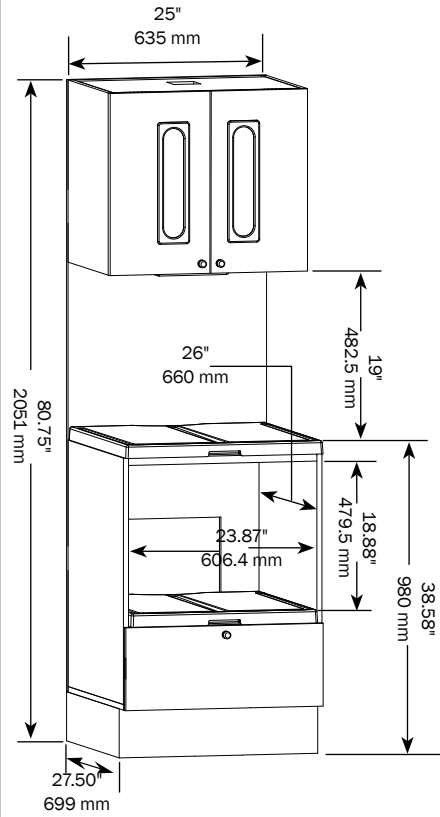
Addendum: A-dec Preference Collection Dimensions

CTP4 CLEAN STORAGE MODULE



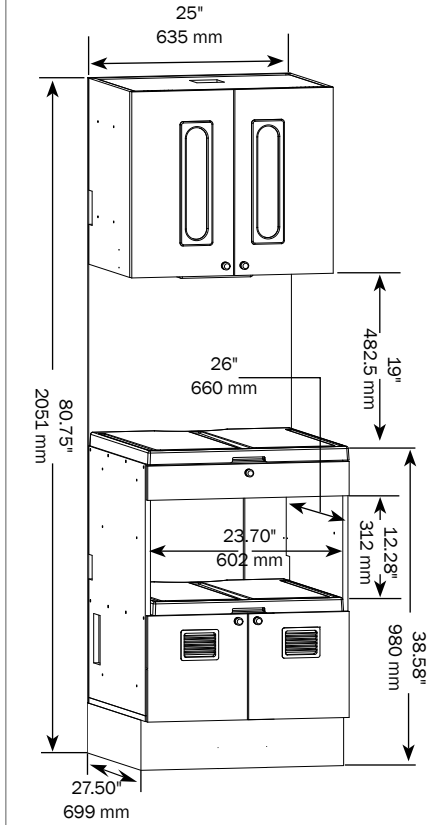
Estimated shipping weight 369 lb. (167.4 kg)

C2S2B



Estimated shipping weight 366 lb. (166 kg)

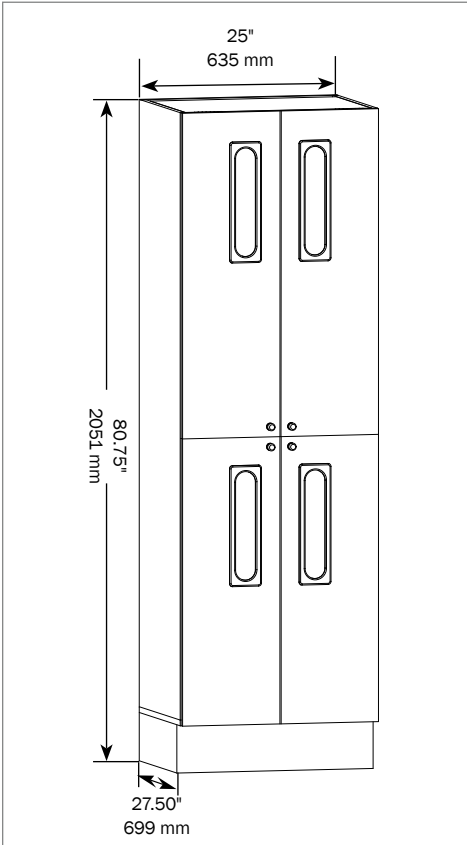
CSS1A



Estimated shipping weight 366 lb. (166 kg)

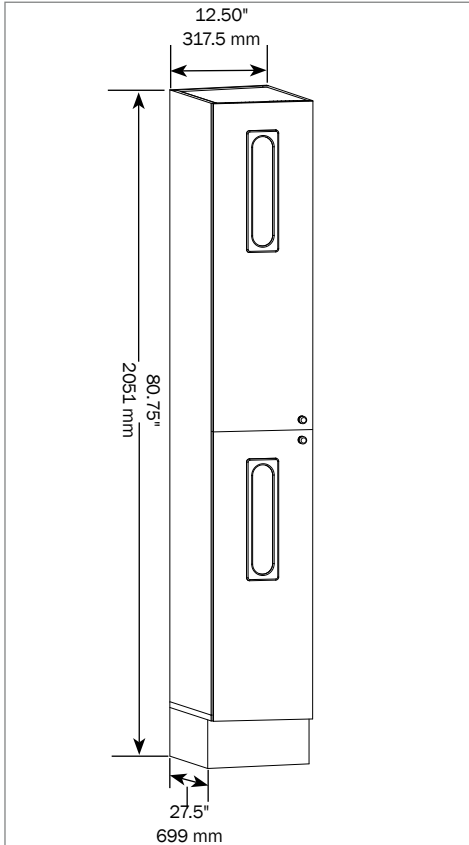
Addendum: A-dec Preference Collection Dimensions

CST1.25



Estimated shipping weight 370 lb. (168 kg)

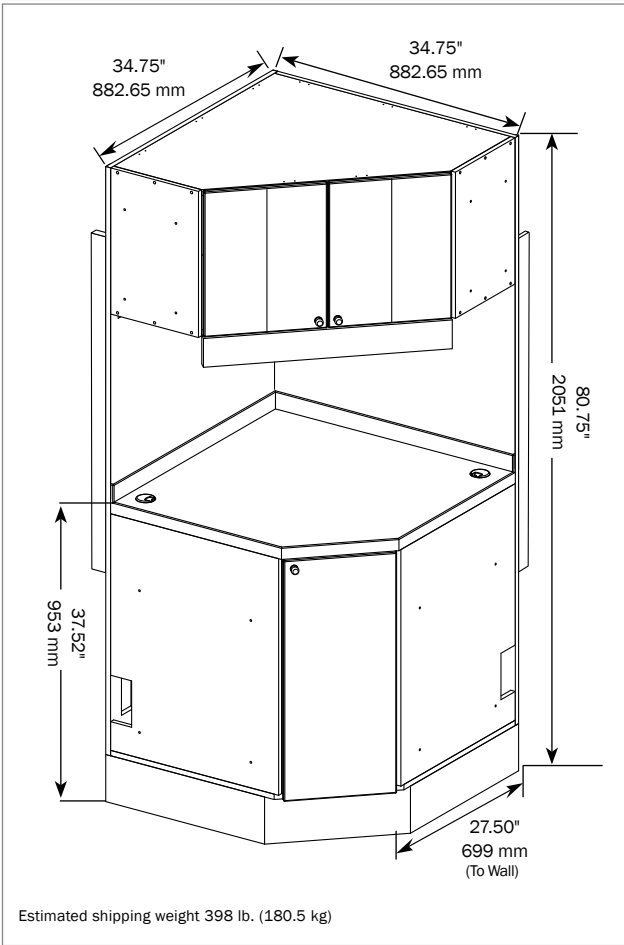
CST1.12



Estimated shipping weight 195 lb. (88.5 kg)

Addendum: A-dec Preference Collection Dimensions

A-DEC 5591 CRNR CORNER MODULE



A-DEC 5591 CRNR CORNER MODULE PLAN VIEW (TOP DOWN)

