

Performer[®]

Contents

Structural Requirements	1
Dental Patient Chair Interface Requirement	1
Utility Requirements	1
Utility Specifications	2
Head Loss with Respect to Flow	3
Electrical Ratings	6
Shipping Weights	6
Documentation References	7
Plan Views and Dimensions	8
Utility Elevations	8
Utility Placement	8
Contoured Floor Box Utility Connections	9
Remote Floor Box Utility Connections	9
Performer Dental Chair	10
Performer Front-Mount Delivery System	11
Performer Back-Mount Delivery System	12
Performer with A-dec 332/333 Delivery System	13
Performer with A-dec 334/335 Delivery System	14
Performer with A-dec 352/353 Delivery System	15
Performer Cuspidor and Support Center	16
Performer Assistant's Instrumentation	17
Performer with Front-Mount Dental Light	18
Performer with 371L/571L Dental Light	19
Performer with Back-Mount Dental Light	20
Performer with Support Center Mount Dental Light	21
Performer/A-dec 381 Monitor Mount	22
A-dec 482 Monitor Mount	23
A-dec 381 Monitor Mount with 362 Support Center	24
A-dec 482 Monitor Mount with 362 Support Center	25



Copyright

© 2021 A-dec, Inc. All rights reserved.

A-dec, Inc. makes no warranty of any kind with regard to this material, including, but not limited to, the implied warranties of merchantability and fitness for a particular purpose. A-dec, Inc. shall not be held liable for any errors contained herein or any consequential or other damages concerning the furnishing, performance or use of this material. The information in this document is subject to change without notice. If you find any problems in the documentation, please report them to us in writing. A-dec, Inc. does not warrant that this document is error-free.

No part of this document may be copied, reproduced, altered, or transmitted in any form or by any means, electronic or mechanical, including photocopying, recording, or by any information storage and retrieval system, without prior written permission from A-dec, Inc.

Trademarks and Additional Intellectual Property Rights

A-dec, the A-dec logo, A-dec Inspire, Cascade, Century Plus, Continental, Decade, ICX, ICV, Performer, Preference, Preference Collection, Preference ICC, Radius, and reliablecreativesolutions are trademarks of A-dec, Inc. and are registered in the United States and other countries. A-dec 500, A-dec 400, A-dec 300, A-dec 200, and EasyFlex are also trademarks of A-dec, Inc. None of the trademarks or trade names in this document may be reproduced, copied, or manipulated in any manner without the express, written approval of the trademark owner.

Certain touchpad symbols and icons are proprietary to A-dec, Inc. Any use of these symbols or icons, in whole or in part, without the express written consent of A-dec, Inc., is strictly prohibited.

Brand X is a registered trademark of Brand X Company. All other trademarks cited herein are the property of their respective owners.

Regulatory Information and Warranty

For required regulatory information and the A-dec warranty, see the *Regulatory Information, Specifications, and Warranty* document (p/n 86.0221.00) available in the Resource Center at www.a-dec.com.

Product Service

Product service is available through your local authorized A-dec dealer. For service information, or to locate an authorized dealer, contact A-dec at 1.800.547.1883 in the USA and Canada or 1.503.538.7478 worldwide, or visit www.a-dec.com.

Product Models and Versions Covered in This Document

Model	Versions	Description
Performer 8000	B	Dental Chair
Performer 8100	B	Delivery System
332/333	A	Delivery System
334/335	A	Delivery System
Performer 8200	B	Support Center and Cuspidor
Performer 8500	B	Assistant's Instrumentation
352/353	A	Assistant's Instrumentation
362/363	A	Cuspidor
571/572/371L/ 372L/571L/572L	A	Dental Light
Performer 8800	B	Monitor Mount
381/482	A	Monitor Mount

Structural Requirements



NOTE Job site construction should be completed before the dental equipment installation (including finished floors, ceiling, plumbing, lighting, paint, etc.).

Dental Patient Chair Interface Requirement

The dental chair requires a solid, level mounting surface that meets these minimum specifications:

- Weight of 1000 lb (4448 N) for the chair, dental light, delivery system, and patient.
- Capability to anchor the chair to the floor, with a minimum pullout load of 100 lb (445 N) for one anchor-bolt.

Utility Requirements



CAUTION Local regulation may require licensed plumbers and electricians to install the utilities. All plumbing and utilities must conform to prevailing local codes.



CAUTION The manner and method for accessing the utilities within the wall is the responsibility of the design team working on the project (dental dealer, architectural services, and contractors). Utilities must be accessible without the use of tools.

Utility Specifications



NOTE Use only full-scale templates for locating the plumbing and electrical.

Utility	Finish	Requirements
Air	1/2" (13 mm) compression protruding 2" (51 mm)	<ul style="list-style-type: none"> A right-angle manual shutoff valve with 3/8" compression outlet, supplied and installed by the contractor. 80-125 psi (550 to 860 kPa), 2.5 scfm (71 SL/min) minimum, during normal use (7.5 scfm [210 SL/min] peak intermittent flow). Flush lines prior to making connections to dental equipment.
Water*	1/2" (13 mm) compression protruding 2" (51 mm)	<ul style="list-style-type: none"> A right-angle manual shutoff valve with 3/8" compression outlet, supplied and installed by the contractor. 60 ± 20 psi (410 ± 140 kPa), 1.5 gpm (5.7 L/min) minimum, not to exceed 40°C (104°F). Flush lines prior to making connections to dental equipment.
Central vacuum	1" PVC Pipe (1.315" OD) protruding 2" (51 mm)	<ul style="list-style-type: none"> Wet systems: 10 ± 2 inches of Hg (34 ± 7 kPa) and 9 scfm (255 SL/min) minimum. Dry/semi-dry systems: 4.5 ± 1 inches of Hg (16 ± 3.5 kPa), 12 scfm (340 SL/min) minimum.
Gravity drain**	1-1/2" (38 mm) nominal pipe protruding 1" (25 mm)	<ul style="list-style-type: none"> Place trap in line, conforming to local codes, contractor-supplied. Waste water drain must have a minimum slope of 1/4" per foot (21 mm per meter), and accommodate a flow of 4.5 gpm (17 L/min) without overflow. Floor mount only. Not recommended for wall mount utilities.
Electrical	1/2" (13 mm) conduit and box with a hospital-grade power receptacle	<ul style="list-style-type: none"> Wire box per code. Top of the receptacle should not be higher than 5" (127 mm) above finished floor for fit within floor box. See the "Electrical Ratings" table for voltage and amperage ratings.

* The delivery system comes with a self-contained water bottle. Municipal water is only required if the equipment configuration includes a cuspidor or if the facility has special requirements.

** Gravity drains are needed only on systems with a cuspidor.

Head Loss with Respect to Flow

Performer

The following table includes information about high volume evacuator (HVE) and saliva ejector (SE) head loss with flow for a Performer assistant's instrumentation on a Performer dental chair.

Tubing and HVE/SE	90 NL/min (3.18 SCFM)	150 NL/min (5.30 SCFM)	200 NL/min (7.06 SCFM)	250 NL/min (8.83 SCFM)	300 NL/min (10.59 SCFM)	350 NL/min (12.36 SCFM)	400 NL/min (14.13 SCFM)
Durr 15mm HVE (large bore) valve with 16mm Easy Flex Tubing & 15mm canister connection (PN: 11.1339.00)	0.04 in-Hg (0.14 kPa)	0.12 in-Hg (0.41 kPa)	0.26 in-Hg (0.88 kPa)	0.57 in-Hg (1.93 kPa)	1.27 in-Hg (4.30 kPa)	2.81 in-Hg (9.52 kPa)	6.22 in-Hg (21.06 kPa)
Durr 11mm HVE (standard bore) valve with 16mm Easy Flex Tubing & 15mm canister connection (PN: 11.1339.00)	0.06 in-Hg (0.20 kPa)	0.15 in-Hg (0.51 kPa)	0.32 in-Hg (1.08 kPa)	0.69 in-Hg (2.34 kPa)	1.47 in-Hg (4.98 kPa)	3.12 in-Hg (10.57 kPa)	6.63 in-Hg (22.45 kPa)
A-dec 15mm HVE (large bore) valve with 16mm Easy Flex Tubing & 15mm canister connection (PN: 11.1315.00)	0.03 in-Hg (0.10 kPa)	0.09 in-Hg (0.30 kPa)	0.21 in-Hg (0.71 kPa)	0.48 in-Hg (1.63 kPa)	1.10 in-Hg (3.73 kPa)	2.52 in-Hg (8.53 kPa)	5.76 in-Hg (19.51 kPa)
A-dec 11mm HVE (standard bore) valve with 16mm Easy Flex Tubing & 15mm canister connection (PN: 11.1305.01)	0.06 in-Hg (0.20 kPa)	0.14 in-Hg (0.47 kPa)	0.30 in-Hg (1.02 kPa)	0.64 in-Hg (2.17 kPa)	1.38 in-Hg (4.67 kPa)	2.96 in-Hg (10.02 kPa)	6.37 in-Hg (21.57 kPa)
A-dec 11mm HVE (standard bore) valve with 13mm PVC Tubing & 15mm canister connection (PN: 11.1296.01)	0.11 in-Hg (0.37 kPa)"	0.29 in-Hg (0.98 kPa)	0.65 in-Hg (2.20 kPa)	1.42 in-Hg (4.81 kPa)	3.14 in-Hg (10.63 kPa)	6.91 in-Hg (23.40 kPa)	Exceeds 12 in-Hg (40.64 kPa) at flow rates above ~350 NL/min.
Durr 15mm HVE (large bore) valve with 16mm Easy Flex Tubing & 11mm canister connection (PN: 90.1287.00)	0.06 in-Hg (0.20 kPa)	0.15 in-Hg (0.51 kPa)	0.33 in-Hg (1.12 kPa)	0.72 in-Hg (2.44 kPa)	1.56 in-Hg (5.28 kPa)	3.39 in-Hg (11.48 kPa)	7.38 in-Hg (24.99 kPa)
Durr 11mm HVE (standard bore) valve with 16mm Easy Flex Tubing & 11mm canister connection (PN: 90.1287.00)	0.08 in-Hg (0.27 kPa)	0.19 in-Hg (0.64 kPa)	0.42 in-Hg (1.42 kPa)	0.90 in-Hg (3.05 kPa)	1.93 in-Hg (6.54 kPa)	4.15 in-Hg (14.05 kPa)	8.92 in-Hg (30.21 kPa)
A-dec 11mm HVE (standard bore) valve with 16mm Easy Flex Tubing & 11mm canister connection (PN: 90.1566.00)	0.06 in-Hg (0.20 kPa)	0.15 in-Hg (0.51 kPa)	0.34 in-Hg (1.15 kPa)	0.76 in-Hg (2.57 kPa)	1.72 in-Hg (5.82 kPa)	3.86 in-Hg (13.07 kPa)	8.67 in-Hg (29.36 kPa)

Tubing and HVE/SE	90 NL/min (3.18 SCFM)	150 NL/min (5.30 SCFM)	200 NL/min (7.06 SCFM)	250 NL/min (8.83 SCFM)	300 NL/min (10.59 SCFM)	350 NL/min (12.36 SCFM)	400 NL/min (14.13 SCFM)
A-dec 11mm HVE (standard bore) valve with 13mm PVC Tubing & 11mm canister connection (PN: 11.1343.00)	0.11 in-Hg (0.37 kPa)	0.28 in-Hg (0.95 kPa)	0.62 in-Hg (2.10 kPa)	1.38 in-Hg (4.67 kPa)	3.09 in-Hg (10.46 kPa)	6.92 in-Hg (23.43 kPa)	Exceeds 12 in-Hg (40.64 kPa) at flow rates above ~350 NL/min.
A-dec SE (standard bore) valve with 6mm PVC Tubing (PN: 12.1260.00)"	1.73 in-Hg (5.86 kPa)	10.14 in-Hg (34.34 kPa)	Exceeds 12 in-Hg (40.64 kPa) at flow rates above ~200 NL/min.				
Durr SE (standard bore) valve with 6mm PVC Tubing (PN: 12.1261.00)	1.81 in-Hg (6.13 kPa)	11.90 in-Hg (40.30 kPa)	Exceeds 12 in-Hg (40.64 kPa) at flow rates above ~200 NL/min.				

A-dec 300

The following table includes information about high volume evacuator (HVE) and saliva ejector (SE) head loss with flow for an A-dec 352/353 assistant's instrumentation on a A-dec 362/363 support center.

Tubing and HVE/SE	90 NL/min (3.18 SCFM)	150 NL/min (5.30 SCFM)	200 NL/min (7.06 SCFM)	250 NL/min (8.83 SCFM)	300 NL/min (10.59 SCFM)	350 NL/min (12.36 SCFM)	400 NL/min (14.13 SCFM)
A-dec 15mm HVE (large bore) valve with 16mm Easy Flex Tubing & 15mm canister connection (PN: 11.1315.00)	0.05 in-Hg (0.17 kPa)	0.11 in-Hg (0.37 kPa)	0.23 in-Hg (0.78 kPa)	0.47 in-Hg (1.59 kPa)	0.96 in-Hg (3.25 kPa)	1.96 in-Hg (6.64 kPa)	3.99 in-Hg (13.51 kPa)
A-dec 11mm HVE (standard bore) valve with 16mm Easy Flex Tubing & 15mm canister connection (PN: 11.1305.01)	0.06 in-Hg (0.20 kPa)	0.13 in-Hg (0.44 kPa)	0.28 in-Hg (0.95 kPa)	0.57 in-Hg (1.93 kPa)	1.18 in-Hg (3.40 kPa)	2.43 in-Hg (8.23 kPa)	5.02 in-Hg (17.00 kPa)
A-dec 11mm HVE (standard bore) valve with 13mm Easy Flex Tubing & 15mm canister connection (PN: 11.1357.00)	0.09 in-Hg (0.30 kPa)	0.22 in-Hg (0.75 kPa)	0.49 in-Hg (1.66 kPa)	1.09 in-Hg (3.69 kPa)	2.41 in-Hg (8.16 kPa)	5.33 in-Hg (18.05 kPa)	11.80 in-Hg (39.96 kPa)
A-dec 11mm HVE (standard bore) valve with 13mm PVC Tubing & 15mm canister connection (PN: 11.1296.01)	0.10 in-Hg (0.34 kPa)	0.26 in-Hg (0.88 kPa)	0.56 in-Hg (1.90 kPa)	1.21 in-Hg (4.10 kPa)	2.60 in-Hg (8.80 kPa)	5.59 in-Hg (18.93 kPa)	12.01 in-Hg (40.67 kPa)

Tubing and HVE/SE	90 NL/min (3.18 SCFM)	150 NL/min (5.30 SCFM)	200 NL/min (7.06 SCFM)	250 NL/min (8.83 SCFM)	300 NL/min (10.59 SCFM)	350 NL/min (12.36 SCFM)	400 NL/min (14.13 SCFM)
A-dec SE (standard bore) valve with 6mm PVC Tubing & 15mm canister connection (PN: 12.1235.01)	1.27 in-Hg (4.30 kPa)	6.39 in-Hg (21.64 kPa)	Exceeds 12 in-Hg (40.64 kPa) at flow rates above ~200 NL/min.				
A-dec SE (standard bore) valve with 10mm Easy Flex Tubing & 15mm canister connection (PN: 12.1228.01)	0.66 in-Hg (2.24 kPa)	2.72 in-Hg (9.21 kPa)	8.81 in-Hg (29.83 kPa)	Exceeds 12 in-Hg (40.64 kPa) at flow rates above ~250 NL/min.			

Electrical Ratings

Chair Type	Required Electrical Supply	Amperage Rating	Amperage Breakdown
240 Volt Chair	220–240 VAC, 50–60 Hz, 10 Amps minimum	10 Amps maximum	240 VAC @ 50–60 Hz: 2 Amps – chair pump motor 1.4 Amps – 300-watt power supply 2 Amps – ancillary products
120 Volt Chair	110–120 VAC, 50–60 Hz, 15 Amps minimum (20 Amps recommended)	10 Amps maximum	120 VAC @ 50–60 Hz: 3.5 Amps – chair pump motor 2.5 Amps – 300-watt power supply 2 Amps – ancillary products

Shipping Weights

Product/Box	Estimated Shipping Weight
Performer Dental Chair	302 lb (137.0 kg)
Performer Delivery System	57 lb (25.9 kg)
A-dec 332/333 Delivery System	88 lb (40.0 kg)
Performer Cuspidor and Support Center	64 lb (29.0 kg)
Performer Assistant’s Instrumentation	19 lb (8.6 kg)
A-dec 371L/571/571L Dental Light	35 lb (15.9 kg)
A-dec 372L/572/572L Dental Light	47 lb (21.3 kg)
Performer Monitor Mount	7 lb (3.2 kg)
A-dec 381 Monitor Mount	9 lb (4.1 kg)
A-dec 482 Monitor Mount	11 lb (5.0 kg)

Documentation References

Document Title	Part Number
Installation Guides	
<i>A-dec Performer Dental Chair with Delivery System, Dental Light, and Support Center Installation Guide</i>	86.0556.00
<i>A-dec Performer Monitor Mount on an A-dec Performer, 571, 572, 571L, or 572L Dental Light Installation Guide</i>	86.0628.00
Service Guide and Reference	
<i>A-dec Performer Service Guide</i>	86.0606.00
<i>A-dec Performer Service Reference</i>	86.0610.00
Instructions for Use	
<i>Performer Instructions for Use</i>	86.0593.00
<i>Regulatory Information, Specifications, and Warranty</i>	86.0221.00
Templates	
<i>A-dec Performer (Version B) Dental Chair Template</i>	86.0640.00
<i>A-dec Performer (Version B) Dental Chair Mini Template</i>	86.0641.00
<i>A-dec Performer (Version B) Dental Chair Related Modules Template</i>	86.0642.00

Plan Views and Dimensions



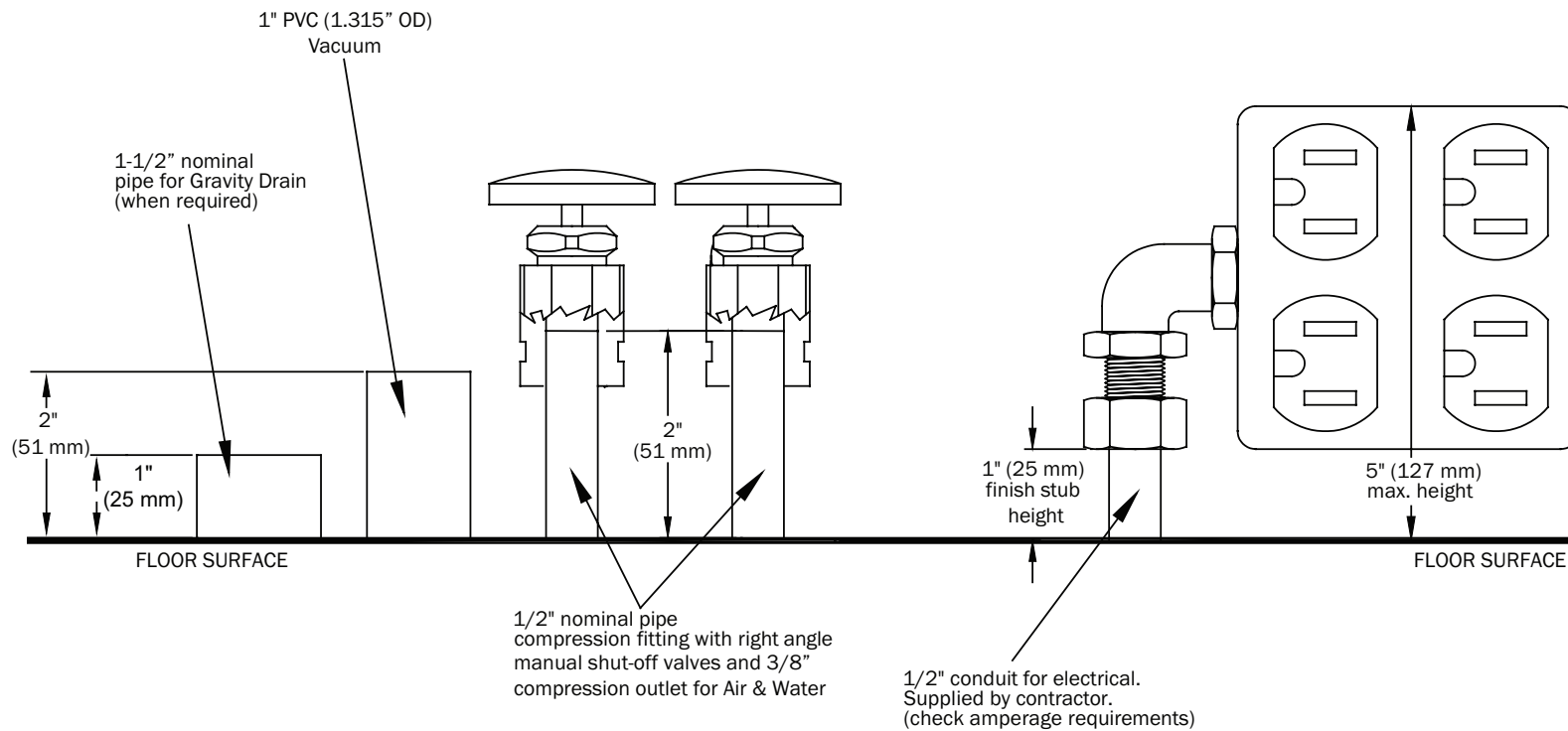
NOTE The dimensional drawings in this section are not to scale and are for reference only. For complete accuracy, use the appropriate full-sized templates.

Utility Placement



CAUTION Due to specific plumbing elevation restrictions, the height and placement of utilities in the floor box can affect the ability to use the floor box cover. Failure to provide adequate space will prevent installation and removal of the cover. See "Utility Elevations". Please reference the appropriate full-size template which includes all of the necessary space constraints.

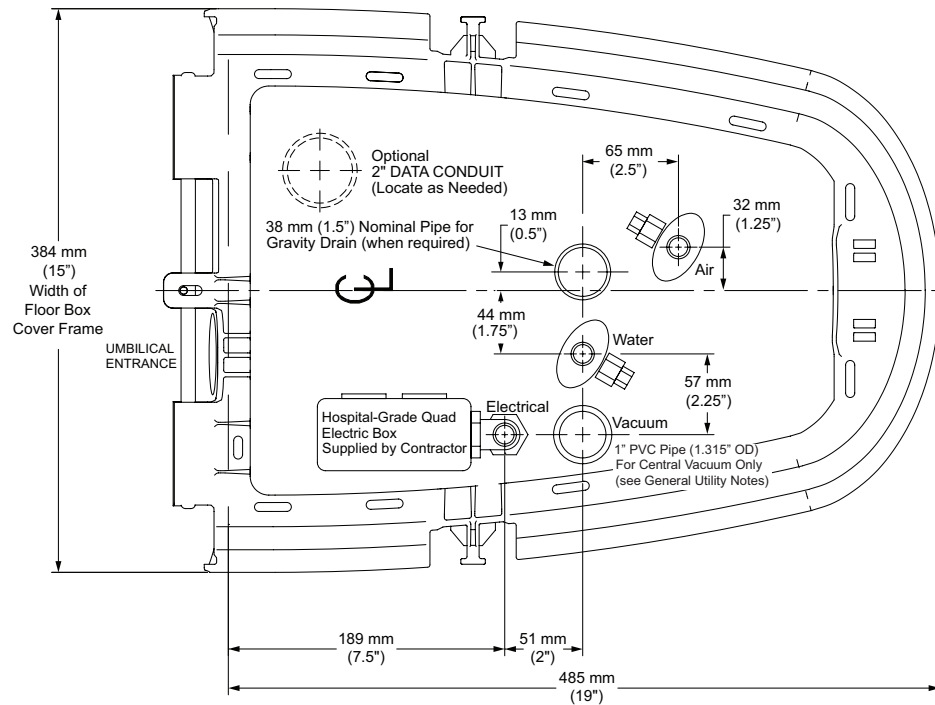
Utility Elevations



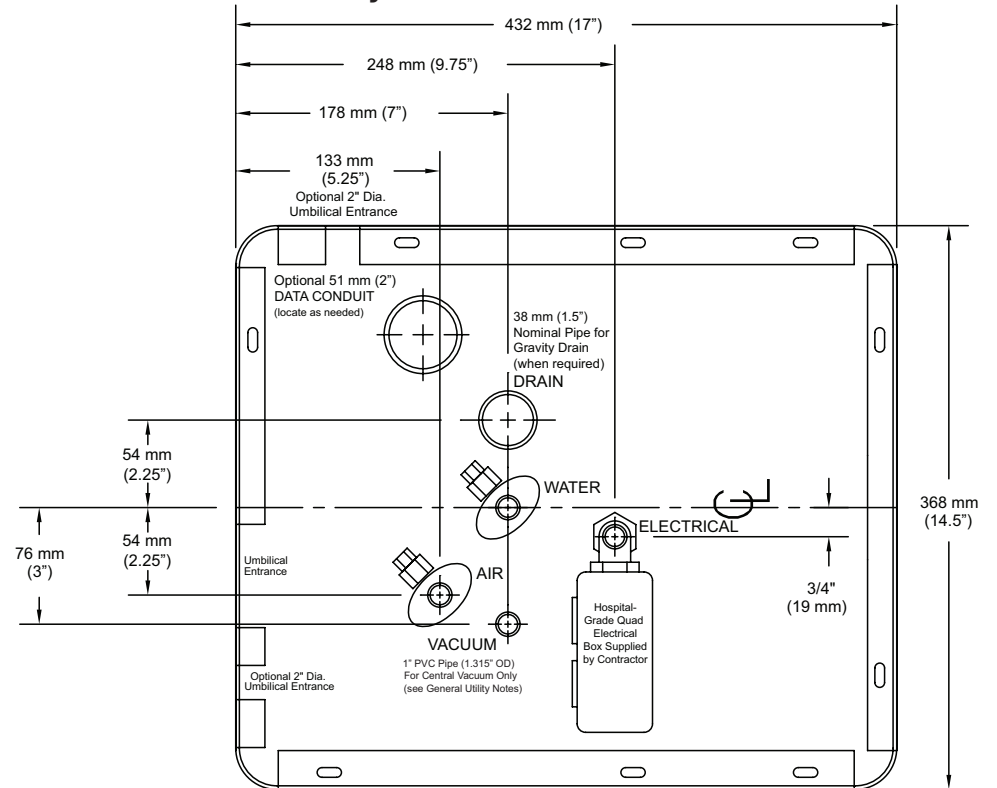


NOTE Use only full-scale templates for locating the plumbing and electrical.

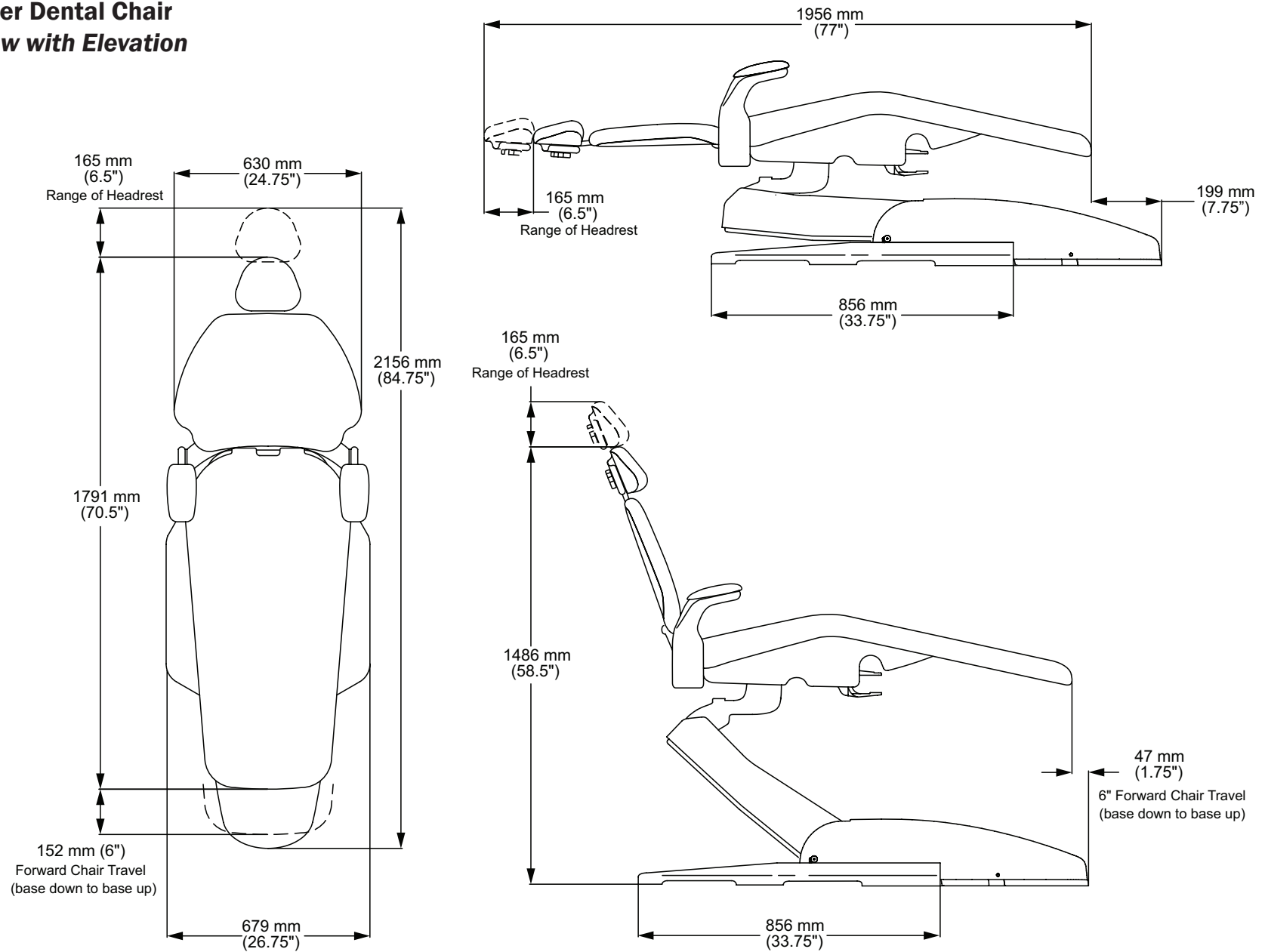
Contoured Floor Box Utility Connections



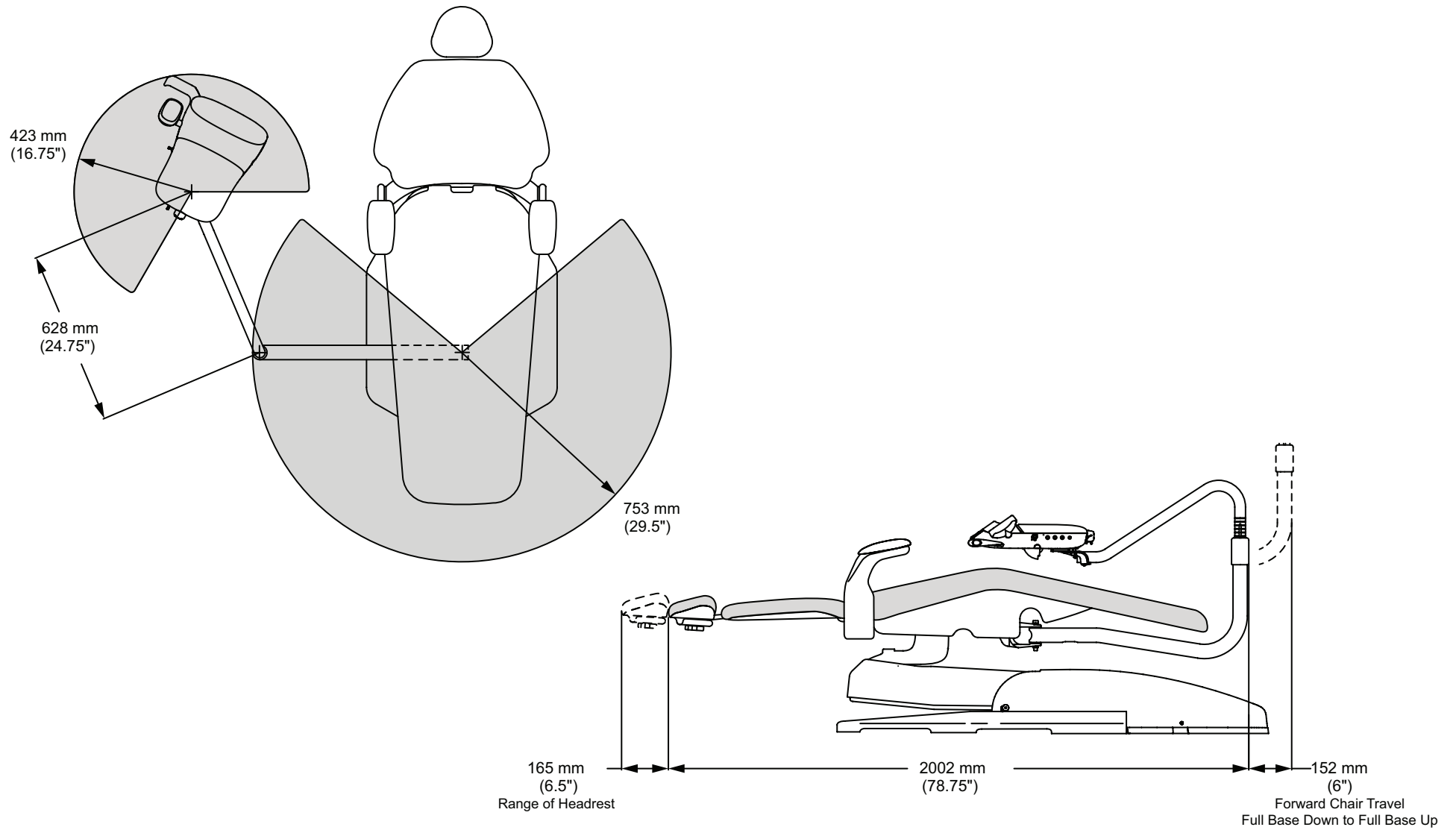
Remote Floor Box Utility Connections



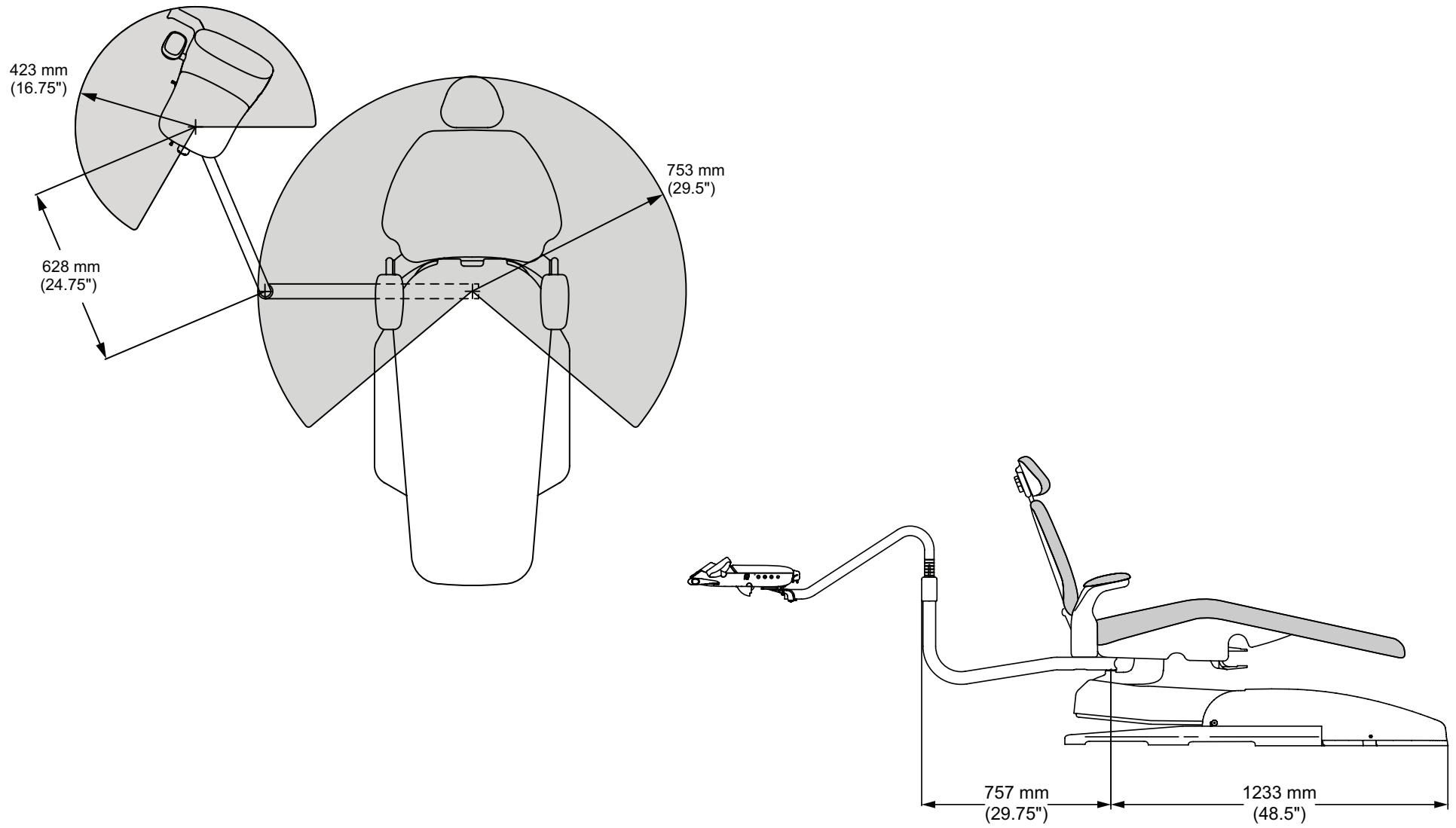
Performer Dental Chair Plan View with Elevation



Performer Front-Mount Delivery System Plan View with Elevation



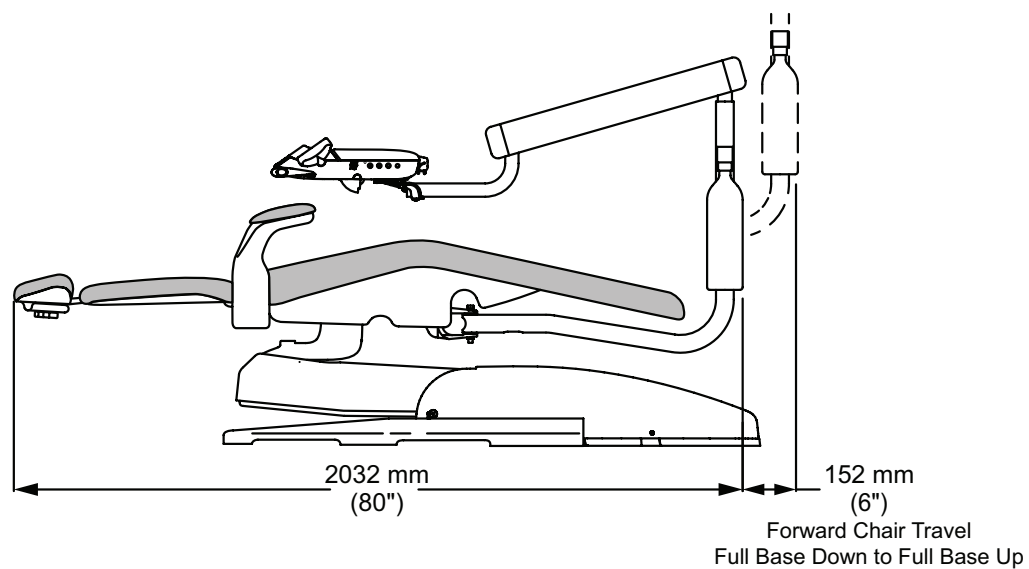
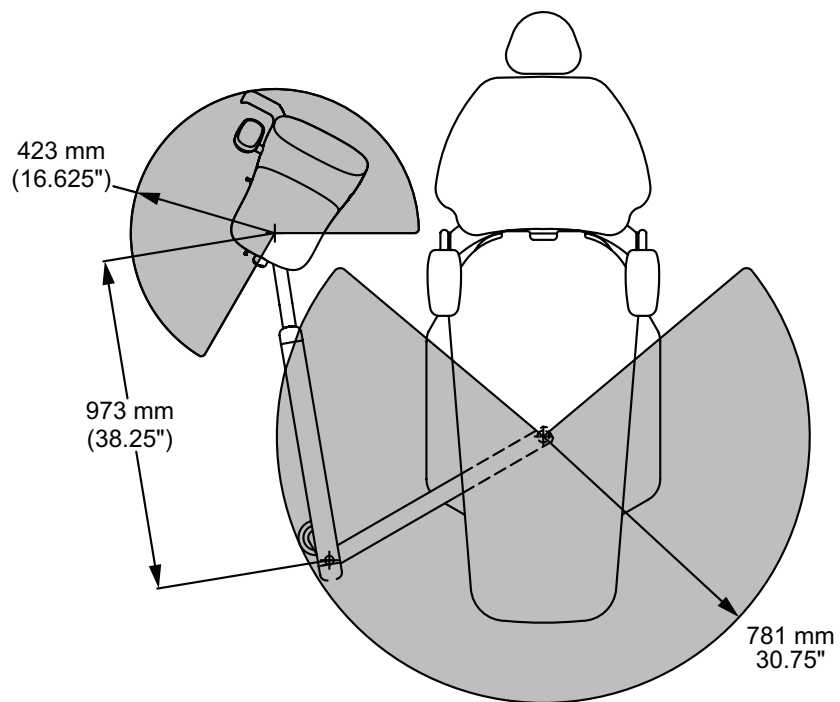
Performer Back-Mount Delivery System Plan View with Elevation



Performer with A-dec 332/333 Delivery System Plan View with Elevation

NOTE This configuration is not available in all countries.

(A-dec 332 Shown)

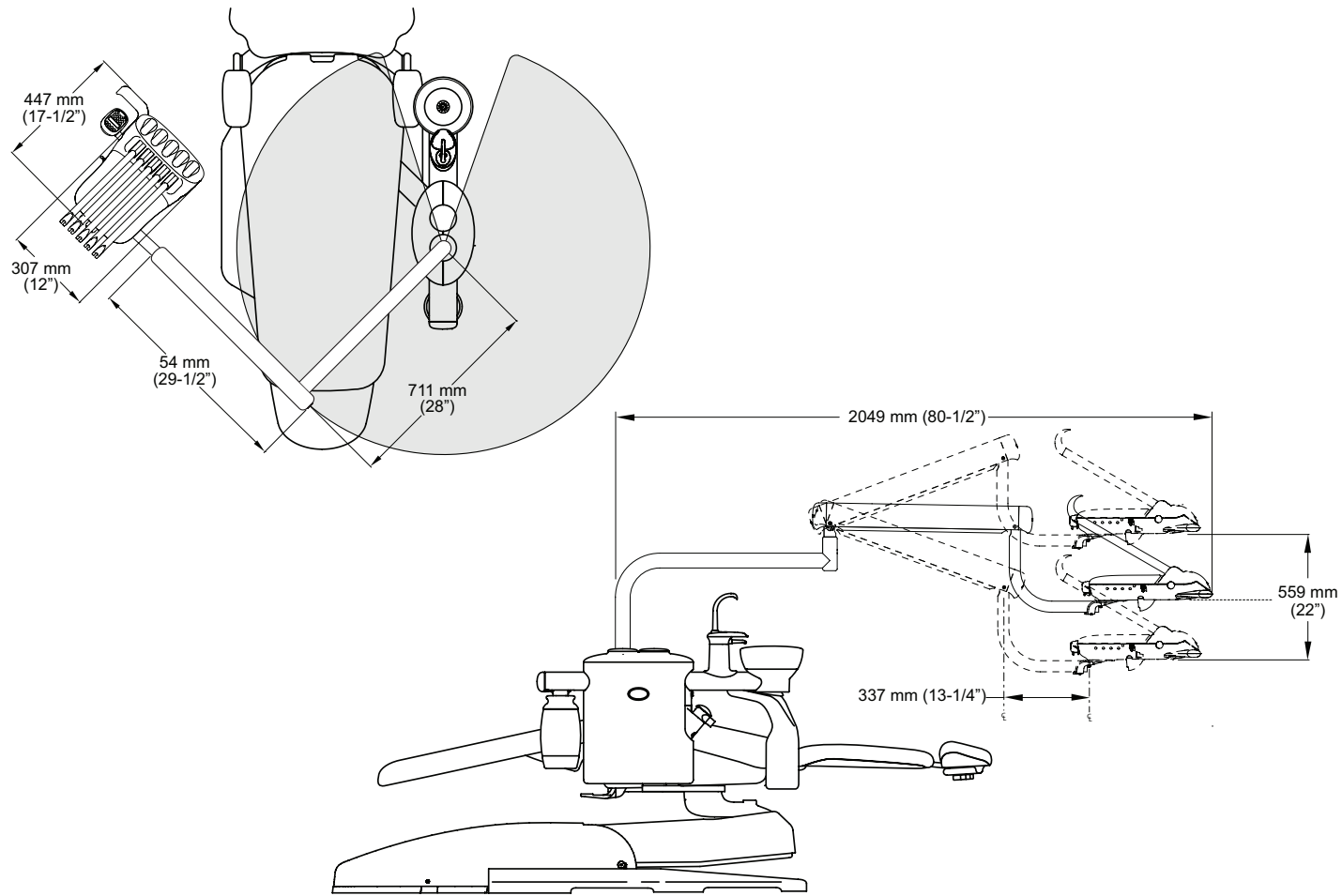


Performer with A-dec 334/335 Delivery System Plan View with Elevation

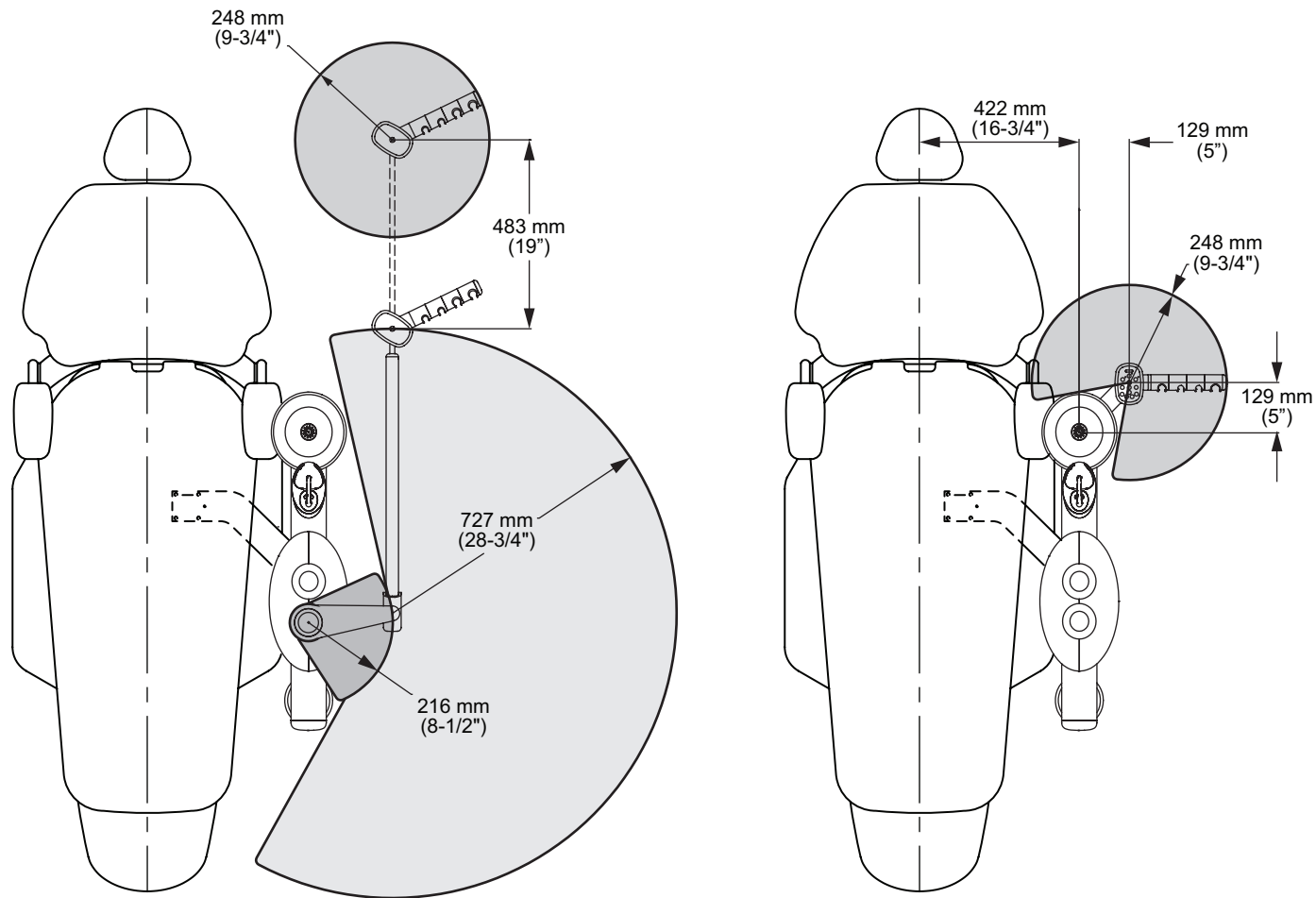


NOTE This configuration is not available in all countries.

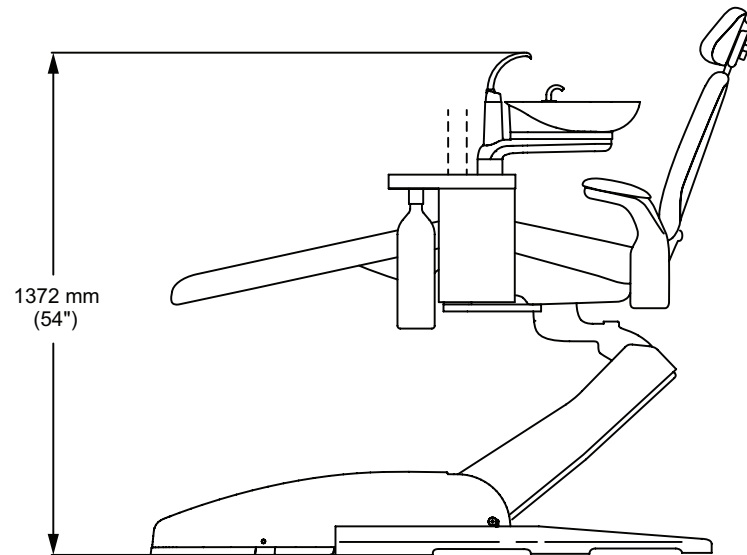
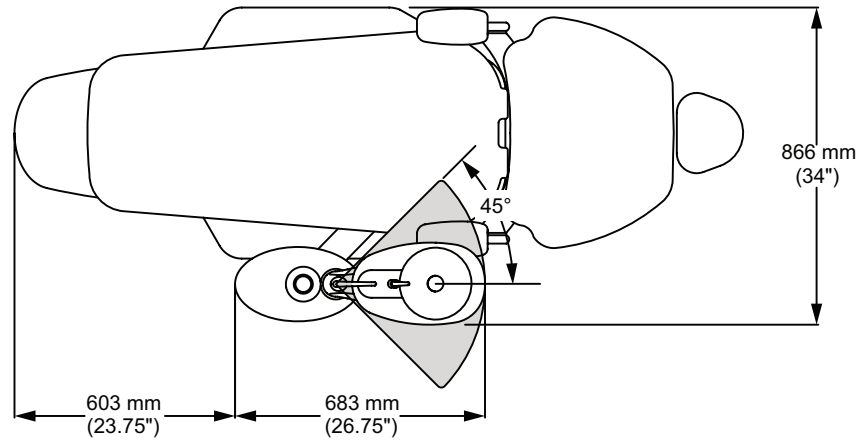
(A-dec 335 Shown)



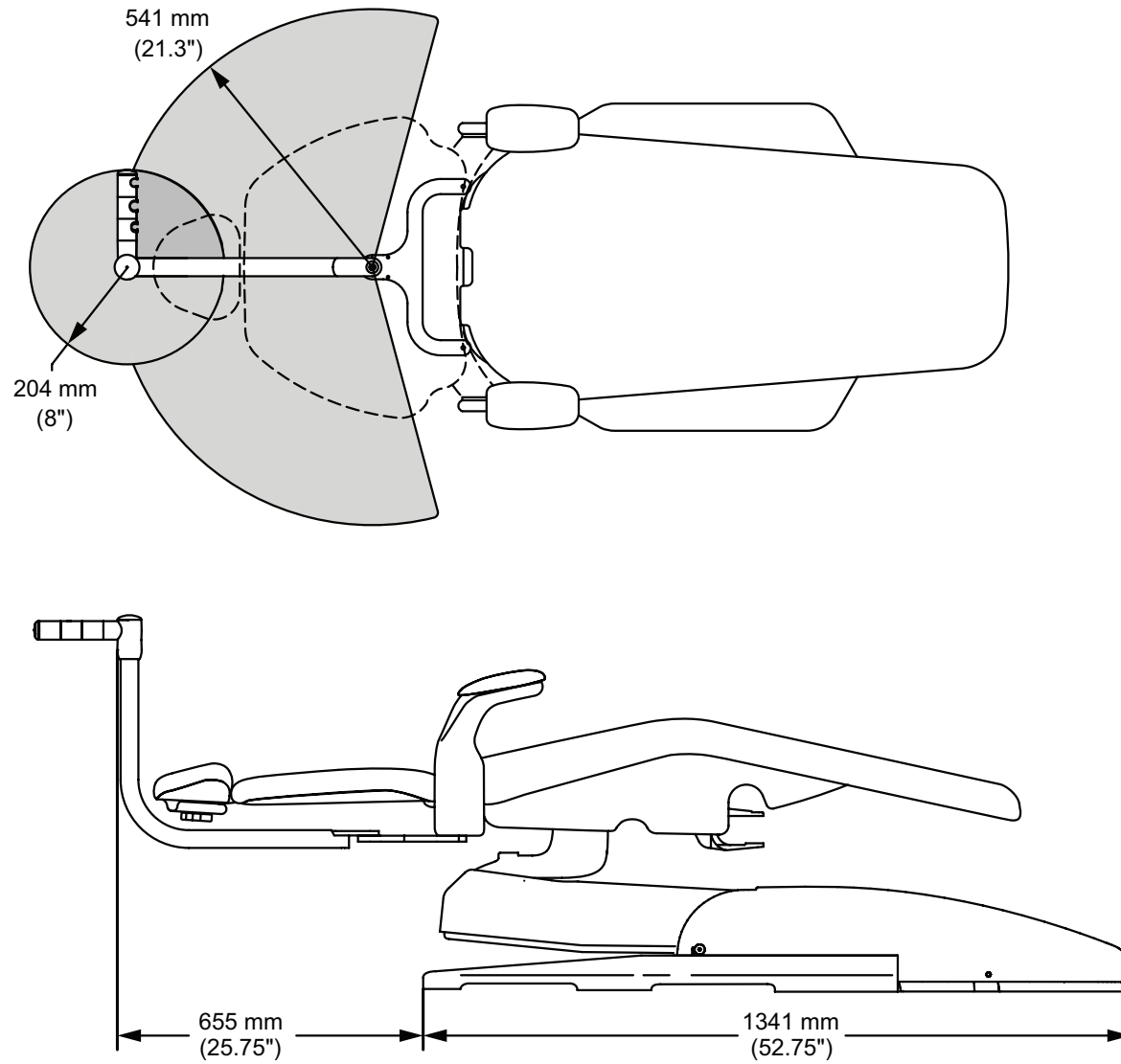
Performer with A-dec 352/353 Delivery System Plan View



Performer Cuspidor and Support Center Plan View with Elevation



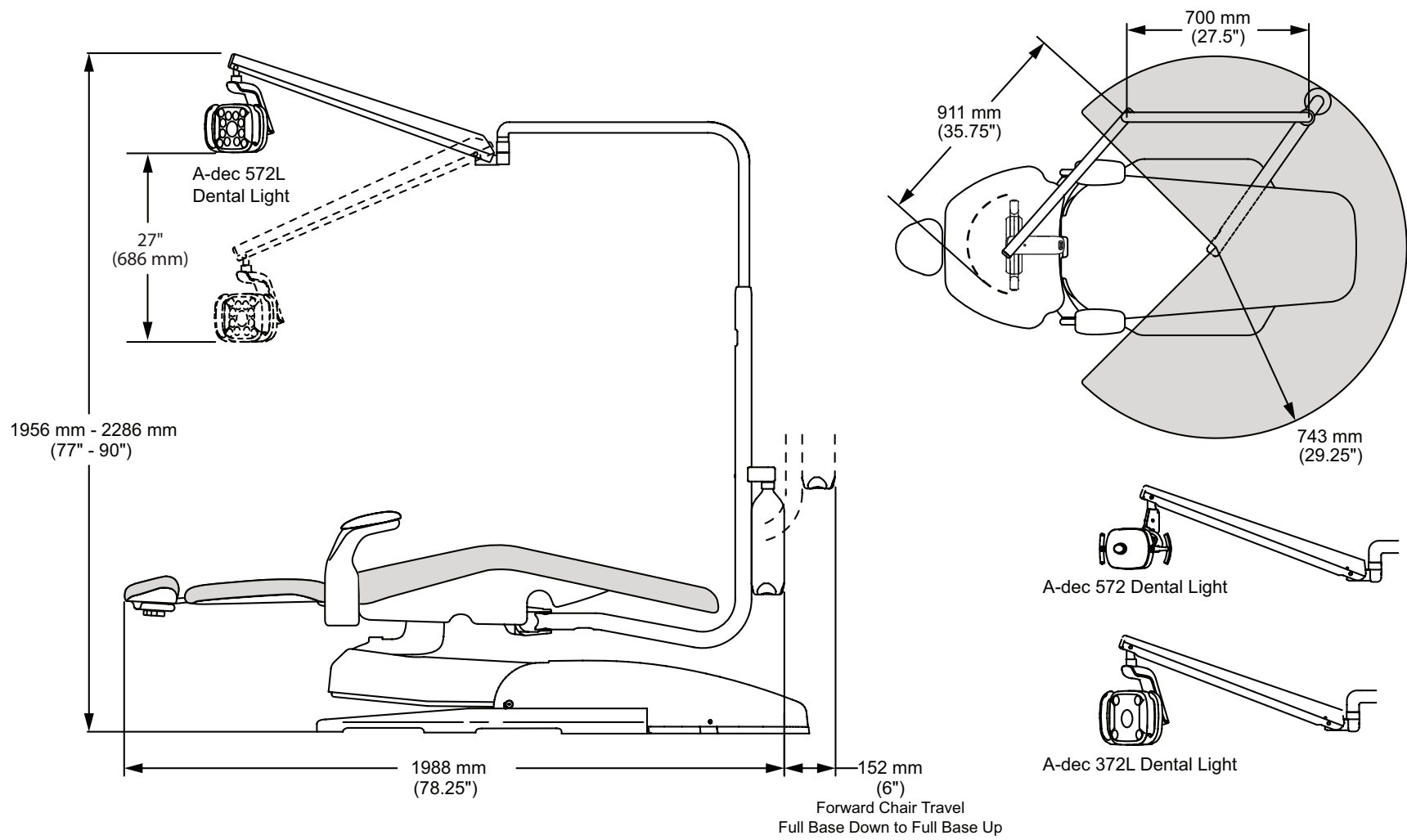
Performer Assistant's Instrumentation Plan View with Elevation



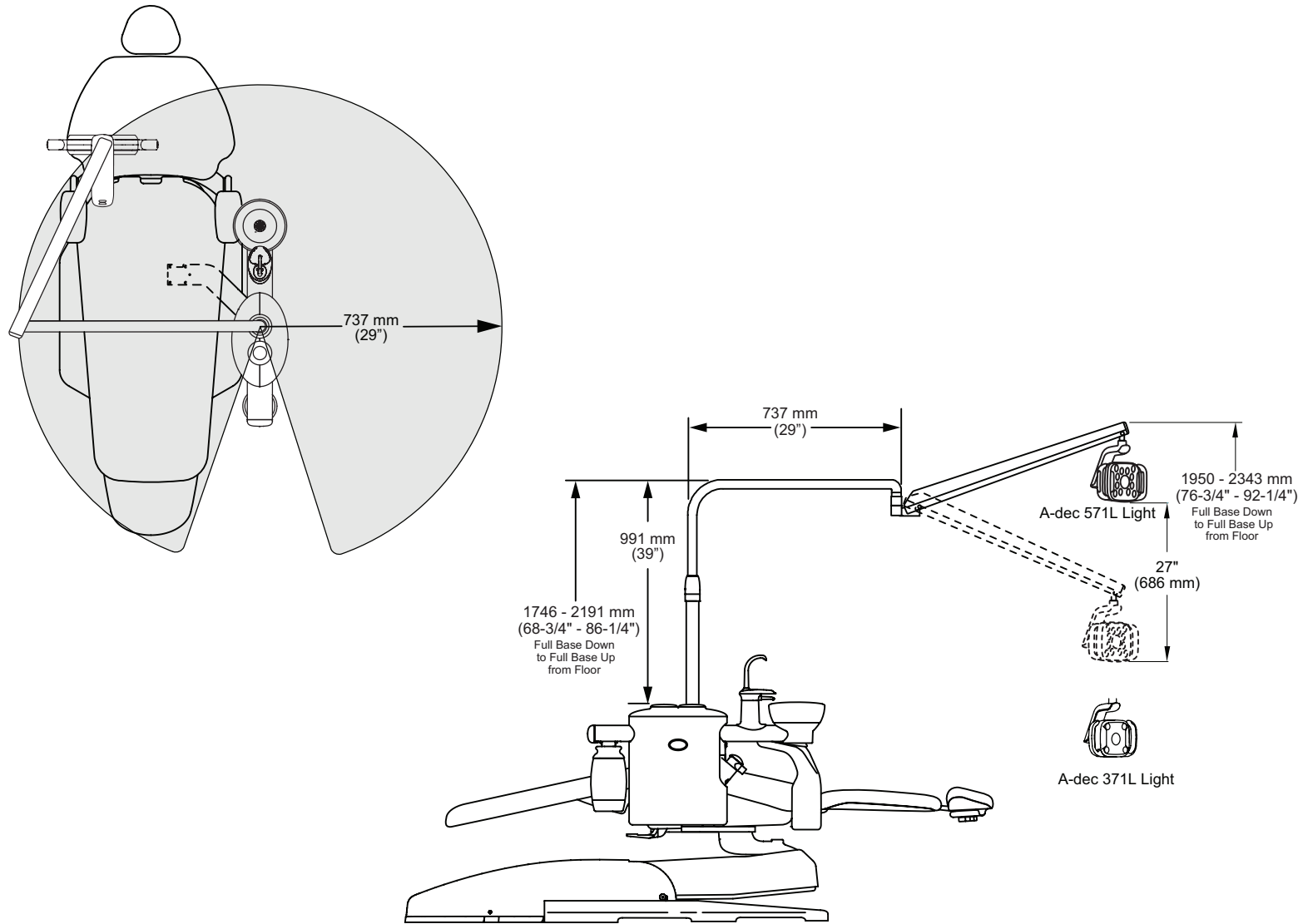
Performer with Front-Mount Dental Light

Plan View with Elevation

(A-dec 572L Dental Light Shown)



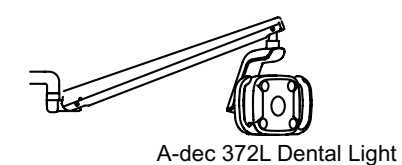
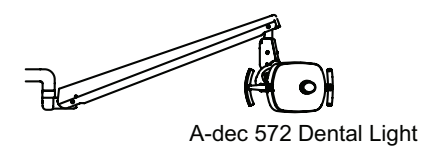
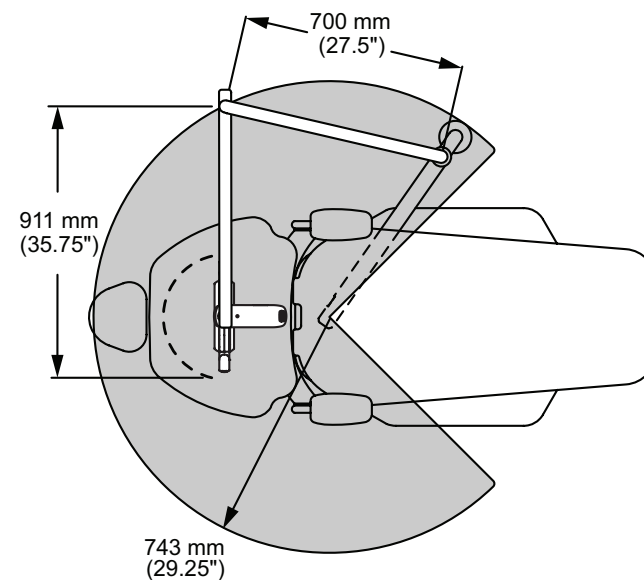
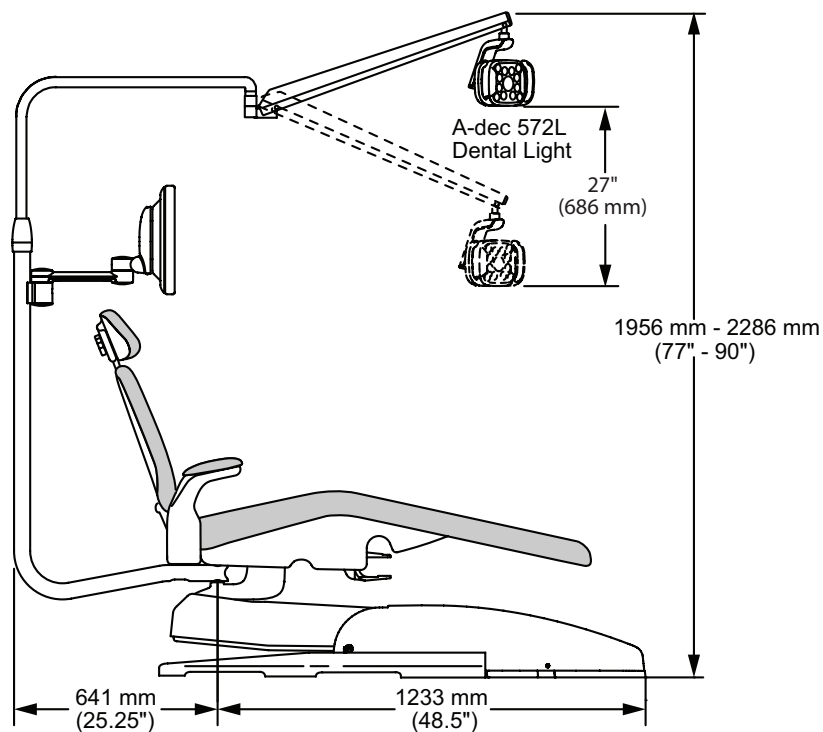
Performer with 371L/571L Dental Light Plan View with Elevation



Performer with Back-Mount Dental Light

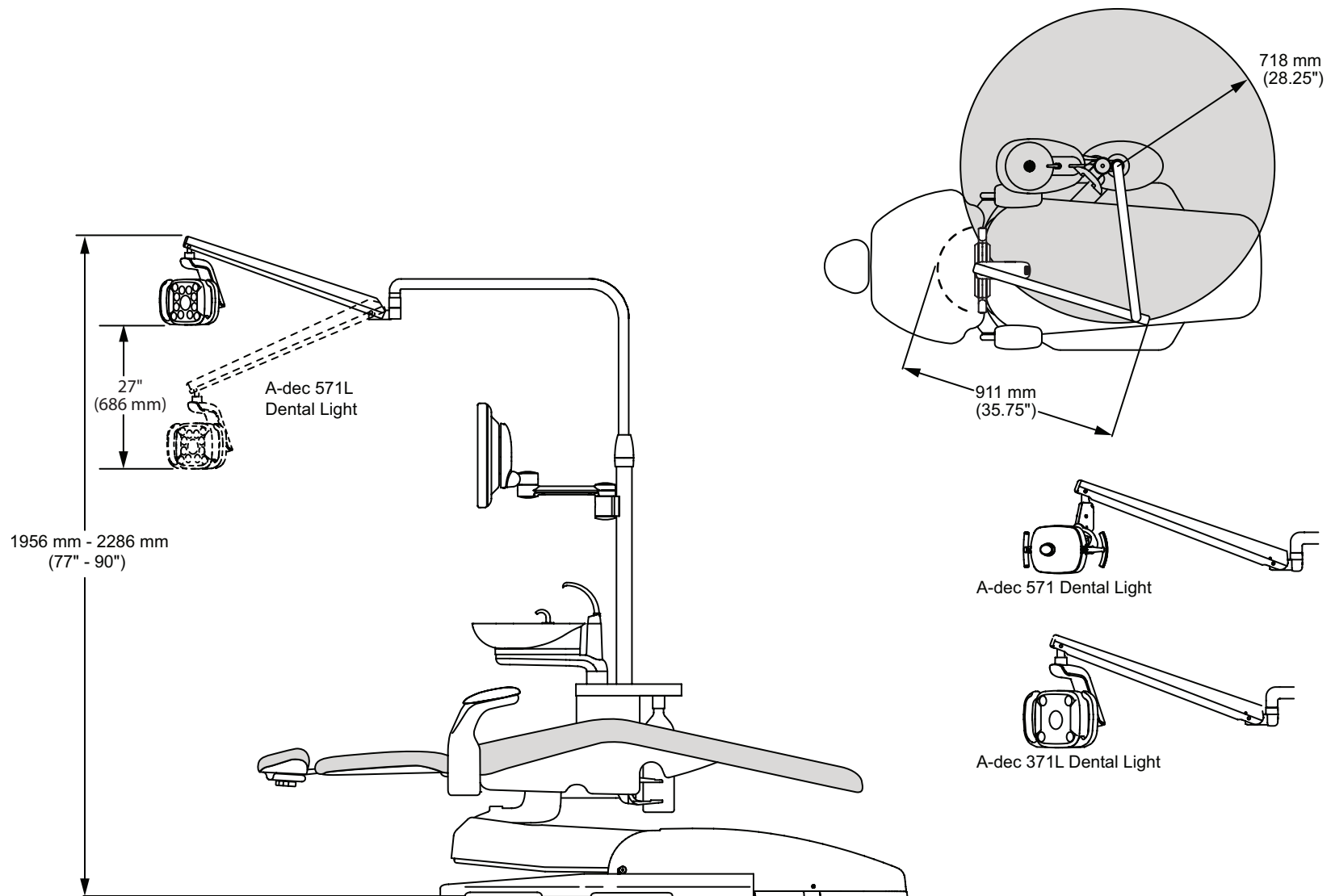
Plan View with Elevation

(A-dec 572L Dental Light Shown)

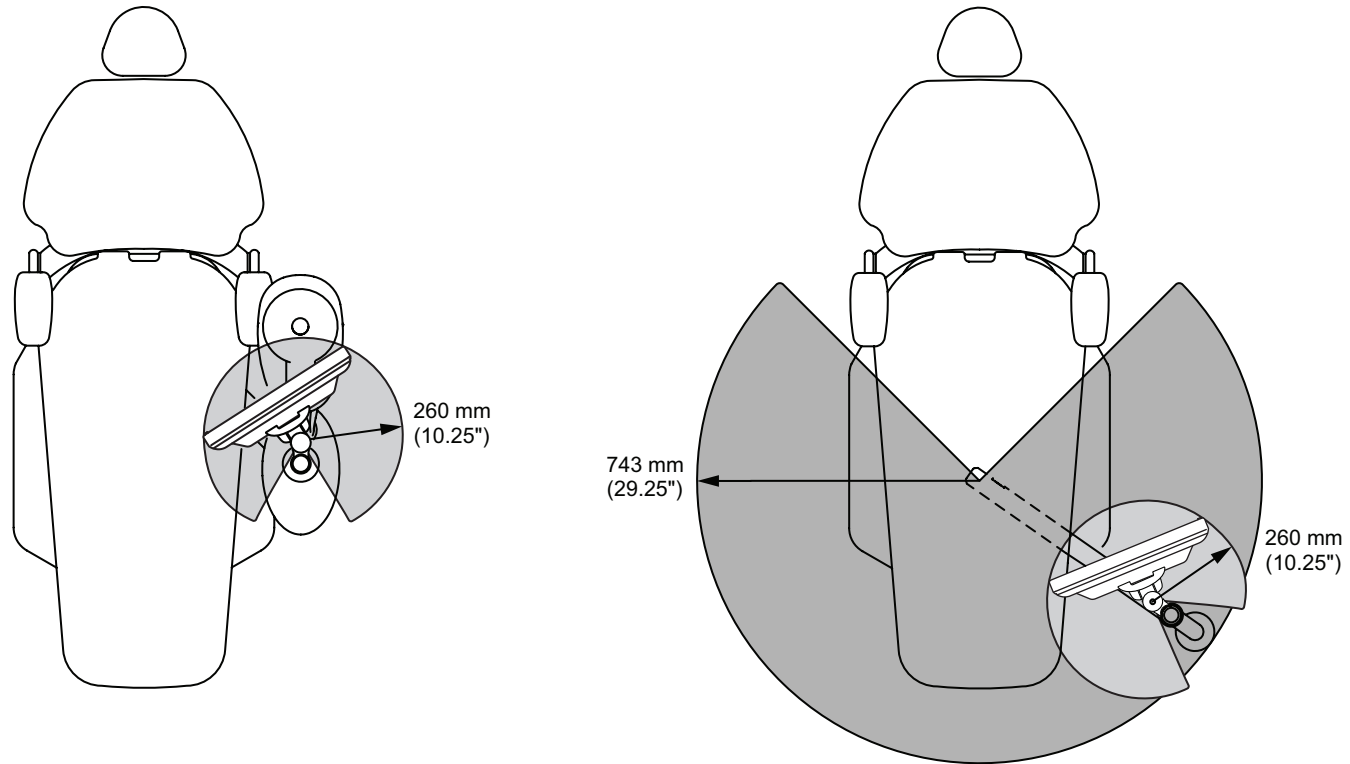


Performer with Support Center Mount Dental Light Plan View with Elevation

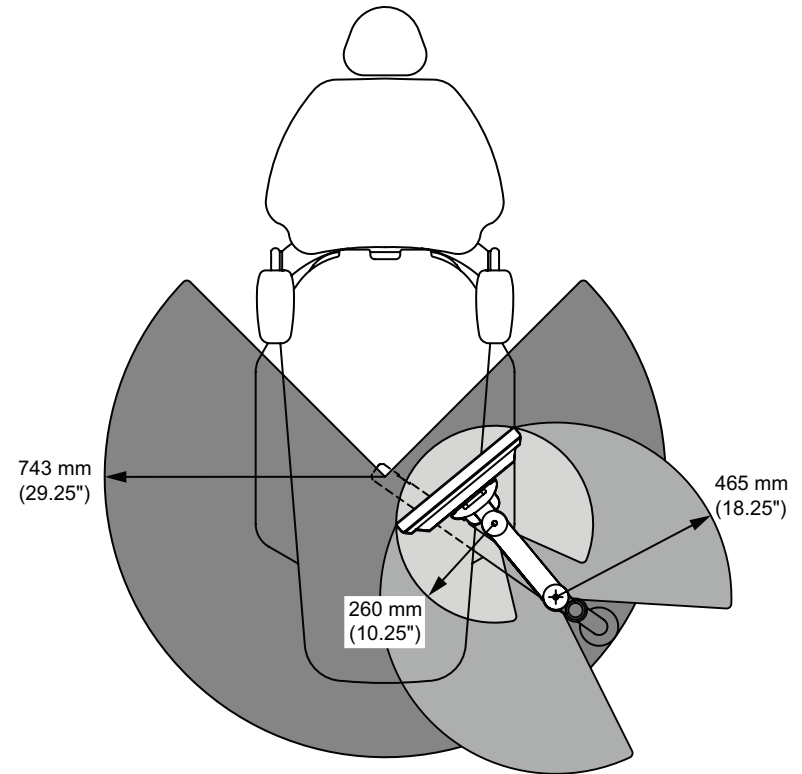
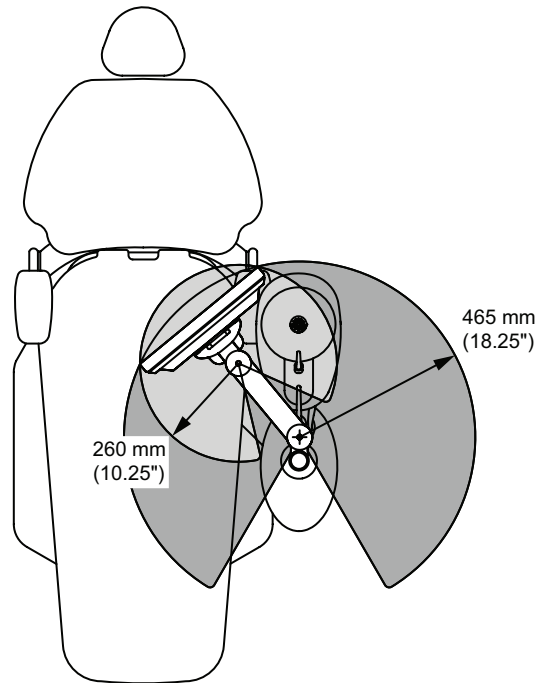
(A-dec 571L Dental Light Shown)



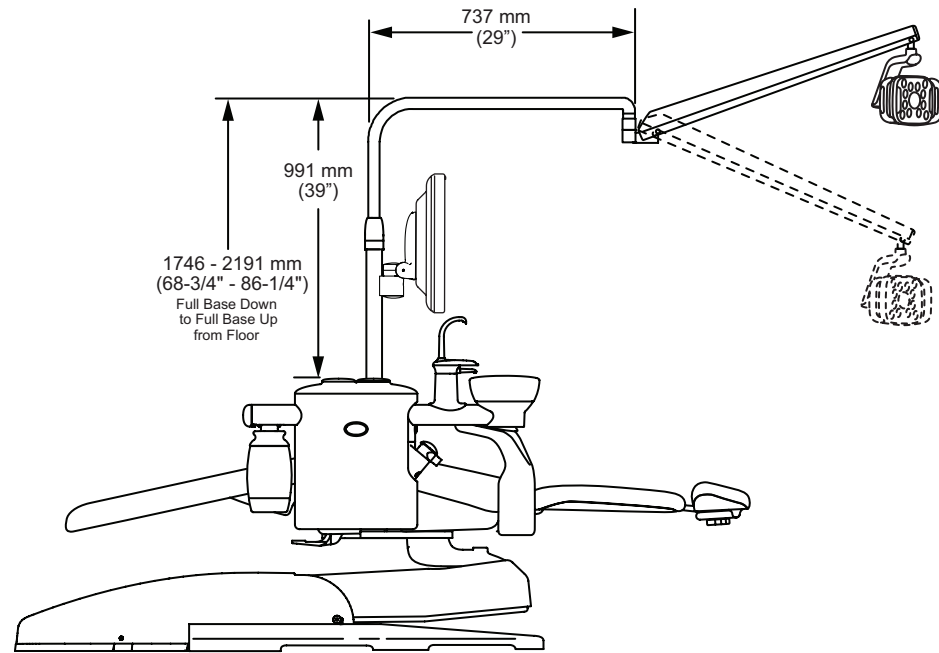
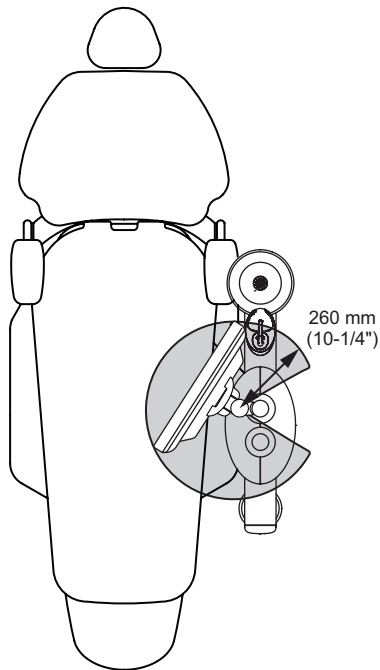
Performer/A-dec 381 Monitor Mount Plan View



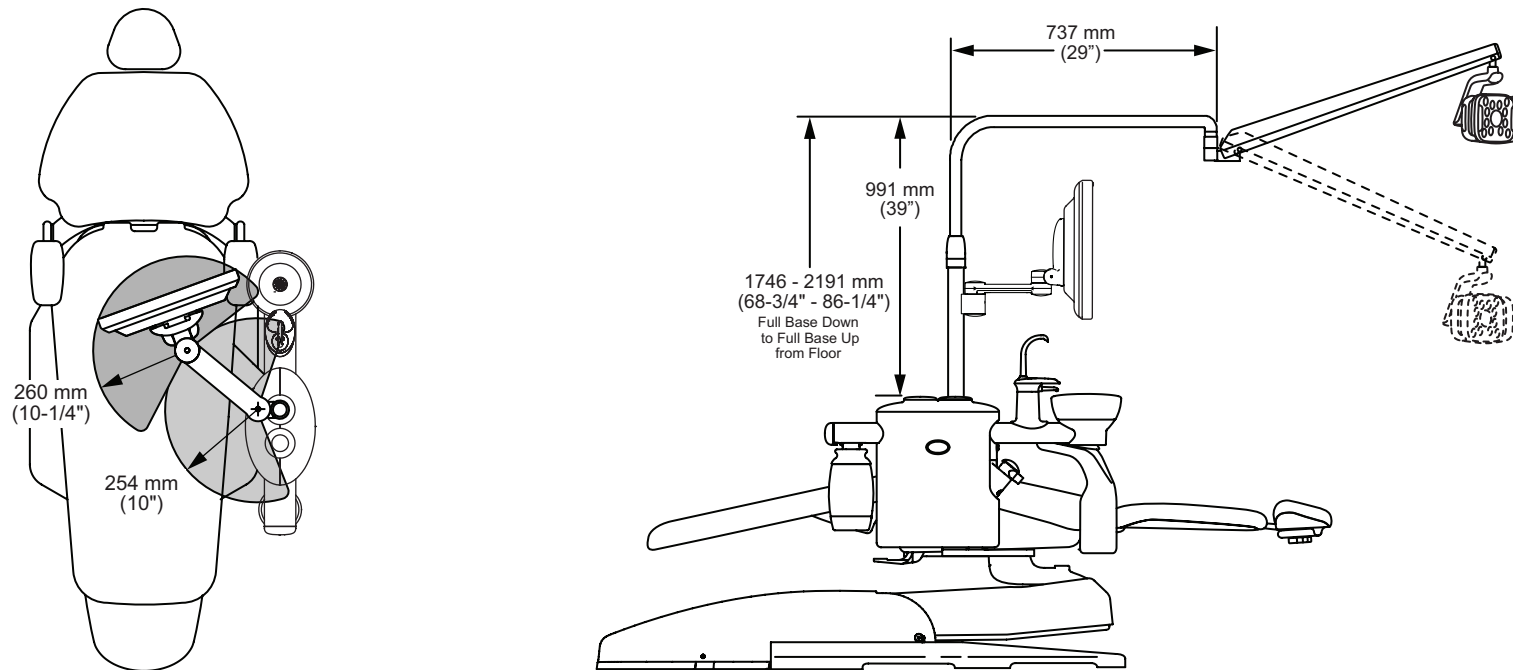
A-dec 482 Monitor Mount Plan View



Performer 381 Monitor Mount with 362 Support Center Plan View with Elevation



Performer 482 Monitor Mount with 362 Support Center Plan View with Elevation





A-dec Headquarters, 2601 Crestview Drive, Newberg, Oregon 97132, USA

Tel: 1.800.547.1883 Within USA/Canada, Tel: +1.503.538.7478 Outside USA/Canada

www.a-dec.com

A-dec, Inc. makes no warranty of any kind with regard to the content in this document including, but not limited to, the implied warranties of merchantability and fitness for a particular purpose.

86.0637.00 Rev E
Date of Issue 2021-10-07
Copyright 2021 A-dec, Inc.
All rights reserved.